

(12) UK Patent Application (19) GB (11) 2525799 (13) A

(43) Date of Reproduction by UK Office 04.11.2015

(21) Application No: 1514720.0
(22) Date of Filing: 09.04.2013
Date Lodged: 19.08.2015
(30) Priority Data:
(31) 13780985 (32) 28.02.2013 (33) US
(86) International Application Data:
PCT/US2013/035784 En 09.04.2013
(87) International Publication Data:
WO2014/133566 En 04.09.2014

(51) INT CL:
E21B 17/02 (2006.01) E21B 19/08 (2006.01)
(56) Documents Cited:
US 20080264650 A1 US 20070209804 A1
US 20070137868 A1 US 20060065407 A1
US 20050161230 A1
(58) Field of Search:
INT CL E21B
Other: eKOMPASS(KIPO internal)

(71) Applicant(s):
Frank's International, LLC
Suite 700, 10260 Westheimer, Houston, Texas,
TX77042, United States of America
(72) Inventor(s):
Charles Michael Webre
Vernon Joseph Bouligny Jr
Brian David Begnaud
Mark Stephen Sibille
Dougal Hugo Brown
(74) Agent and/or Address for Service:
Withers & Rogers LLP
4 More London Riverside, LONDON, SE1 2AU,
United Kingdom

(54) Title of the Invention: **Method and apparatus to position and protect control lines being coupled to a pipe string on a rig**
Abstract Title: **Method and apparatus to position and protect control lines being coupled to a pipe string on a rig**

(57) An apparatus to attach a control line to a tubular member, in which the apparatus includes a control line arm having a first control line guide coupled thereto, and a base having a second control line guide coupled thereto, with the control line arm coupled to the base and movable with respect to the base. The control line arm may be movable between a raised position and a collapsed position with respect to the base, and the control line arm may be at least one of slidably coupled and rotatably coupled to the base.

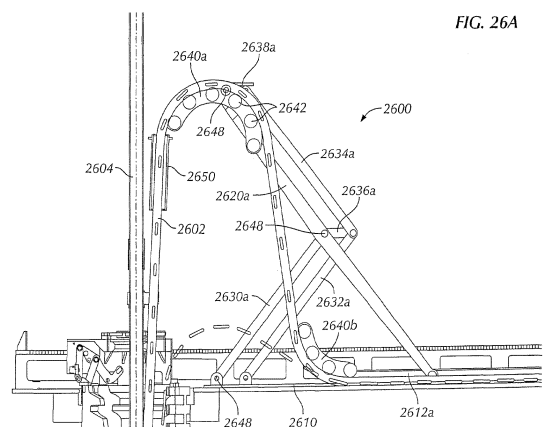


FIG. 26A

GB 2525799 A