



US00D732236S

(12) **United States Design Patent**  
**Reynolds**

(10) **Patent No.:** **US D732,236 S**

(45) **Date of Patent:** **\*\* Jun. 16, 2015**

(54) **LIGHT FIXTURE**

(71) Applicant: **IP Holdings, LLC**, Vancouver, WA (US)

(72) Inventor: **Christopher Reynolds**, Vancouver, WA (US)

(73) Assignee: **IP Holdings, LLC**, Vancouver, WA (US)

(\*\*) Term: **14 Years**

(21) Appl. No.: **29/502,094**

(22) Filed: **Sep. 11, 2014**

(51) **LOC (10) Cl.** ..... **26-99**

(52) **U.S. Cl.**  
USPC ..... **D26/118**

(58) **Field of Classification Search**  
USPC ..... D26/25-26, 28, 51, 55-57, 59-64, 66,  
D26/72-91, 93, 113, 118-120, 122, 138,  
D26/140-142; 362/145-148, 150-153,  
362/153.1, 217.01, 217.02, 217.05-217.07,  
362/217.1, 217.15, 218, 223, 241, 249.02,  
362/296.07, 296.08, 294, 299, 311.02,  
362/341-345, 362, 373, 563, 580, 600, 608,  
362/609, 640, 641, 805; D11/142, 143,  
D11/144, 155

See application file for complete search history.

(56) **References Cited**

**U.S. PATENT DOCUMENTS**

D106,614 S *	10/1937	Waterbury	.....	D26/91
D123,768 S *	12/1940	Scribner	.....	D26/78
D174,221 S *	3/1955	Hatch et al.	.....	D26/128
D352,126 S *	11/1994	Ruud et al.	.....	D26/67
D396,319 S *	7/1998	Sutton	.....	D26/128
D419,248 S *	1/2000	Lyons	.....	D26/28
D447,272 S *	8/2001	Smith	.....	D26/118
D456,938 S *	5/2002	Wardenburg	.....	D26/118
D542,460 S *	5/2007	Hargreaves	.....	D26/118
D544,987 S *	6/2007	Hargreaves	.....	D26/88

D617,028 S *	6/2010	Verfuert et al.	.....	D26/75
D637,341 S *	5/2011	Wardenburg	.....	D26/118
D650,515 S *	12/2011	Bradley et al.	.....	D26/118

**OTHER PUBLICATIONS**

Sun System 630 Ceramic Metal Halide 120v Specifications, GrowersHouse.com, update on Sep. 9, 2014, online. Site visited Feb. 3, 2015. Internet URL:<"http://growershouse.com/aitdownloadablefiles/download/aitfile/aitfile\_id/583/">.\*

\* cited by examiner

*Primary Examiner* — Garth Rademaker

*Assistant Examiner* — Llorelys Martinez-Rivera

(74) *Attorney, Agent, or Firm* — J. Douglas Wells

(57) **CLAIM**

The ornamental design for a light fixture, as shown and described.

**DESCRIPTION**

FIG. 1 is a bottom perspective view of a light fixture showing my new design;

FIG. 2 is a top perspective view of the light fixture shown in FIG. 1;

FIG. 3 is a left side view of the light fixture shown in FIG. 1;

FIG. 4 is a right side view of the light fixture shown in FIG. 1;

FIG. 5 is a front elevation view of the light fixture shown in FIG. 1;

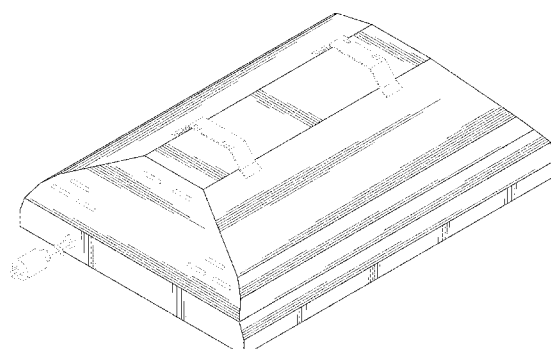
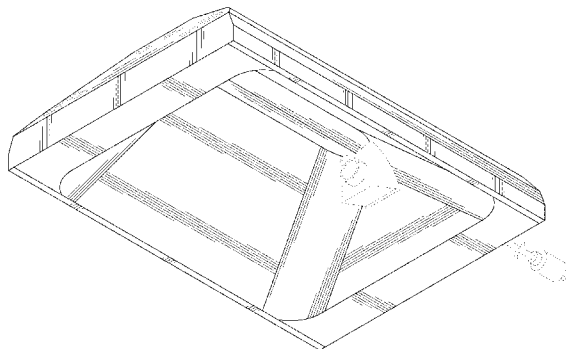
FIG. 6 is a rear elevation view of the light fixture shown in FIG. 1;

FIG. 7 is a top plan view of the light fixture shown in FIG. 1; and,

FIG. 8 is a bottom plan view of the light fixture shown in FIG. 1.

The broken lines illustrate portions of the light fixture which form no part of the claimed design.

**1 Claim, 6 Drawing Sheets**



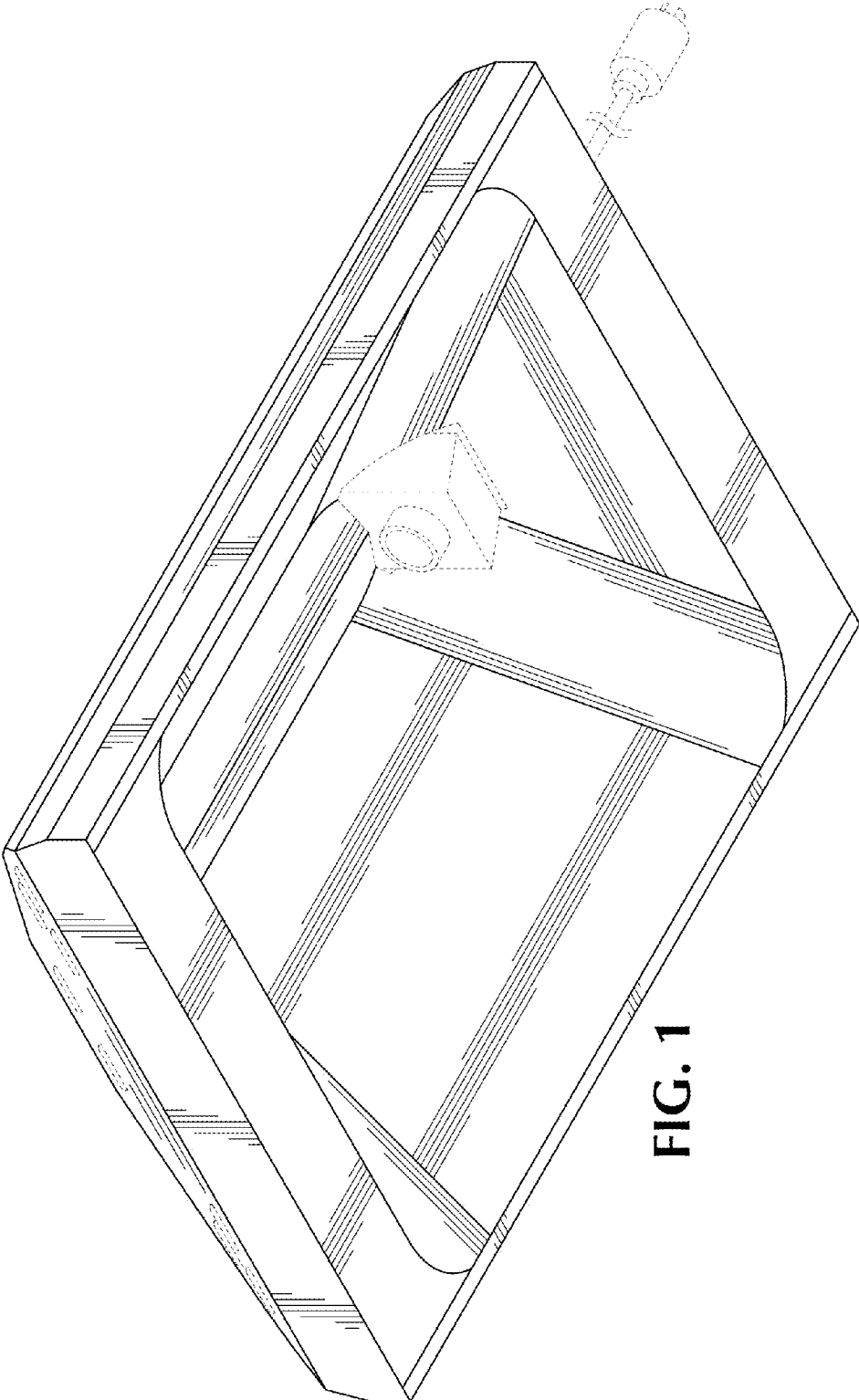


FIG. 1

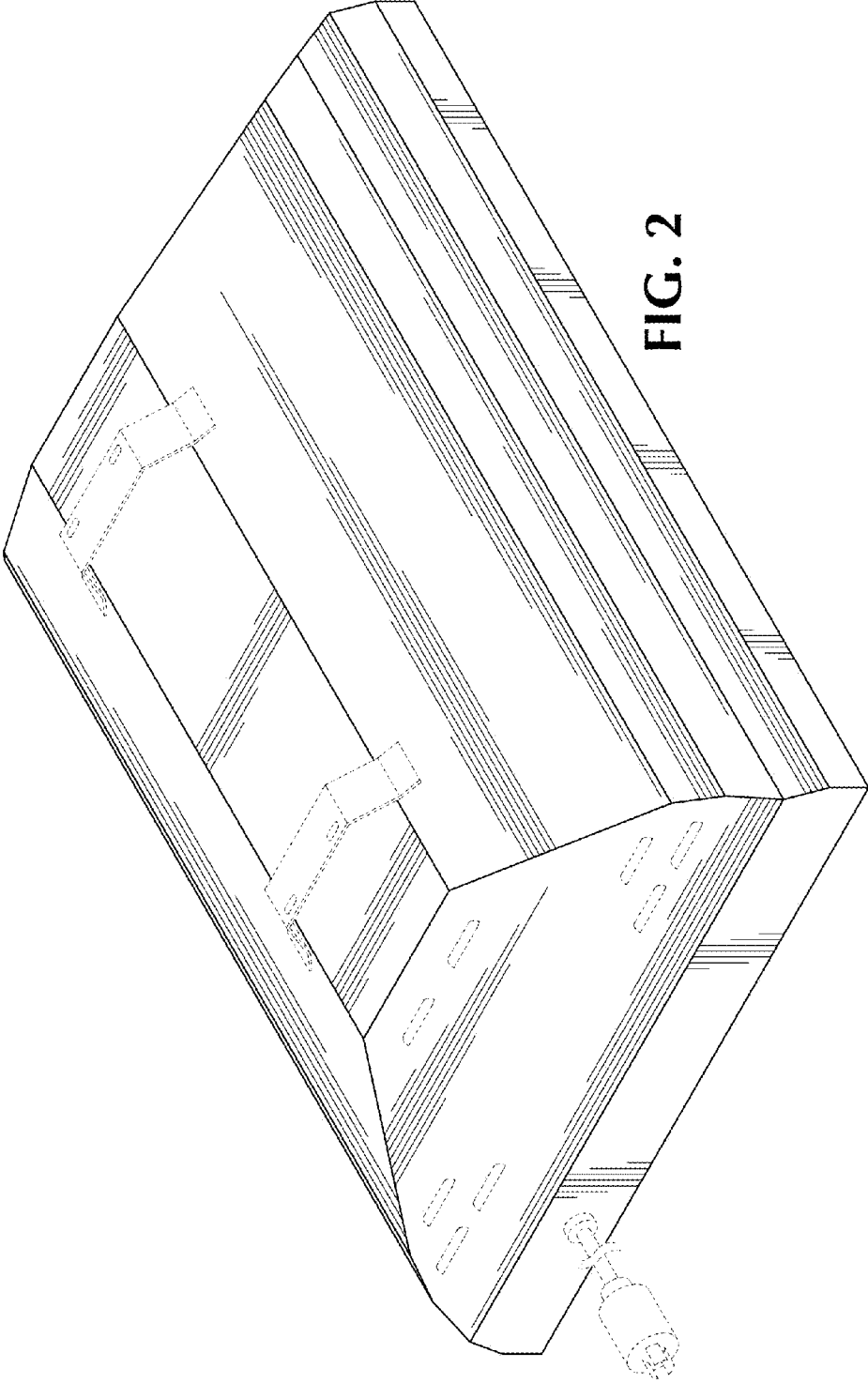


FIG. 2

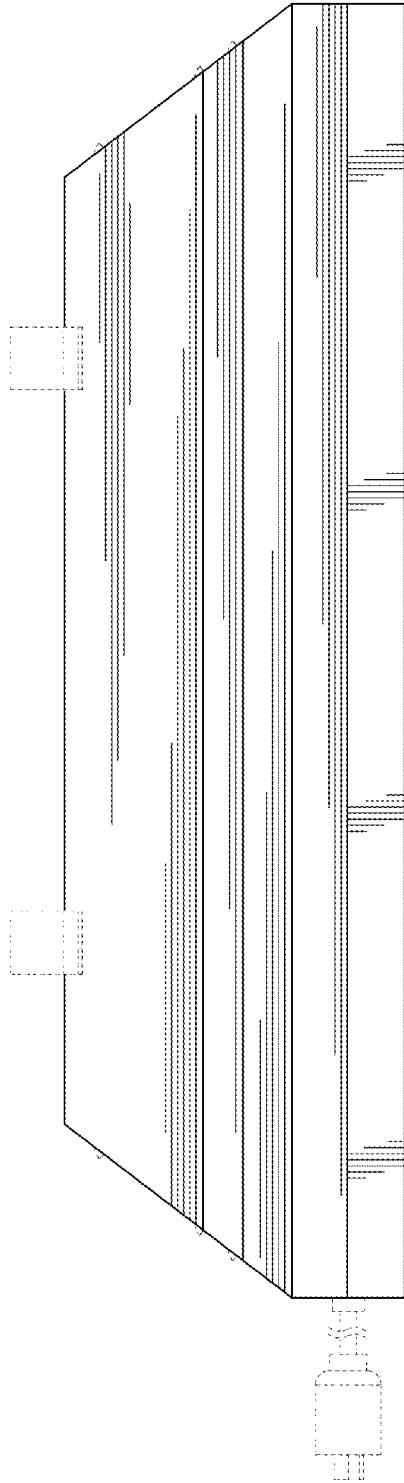


FIG. 3

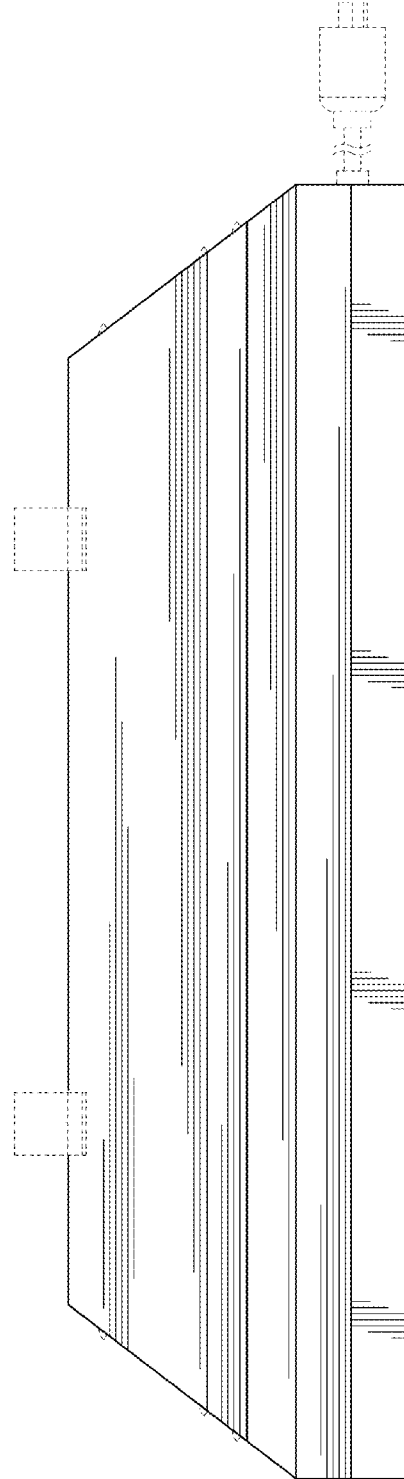


FIG. 4

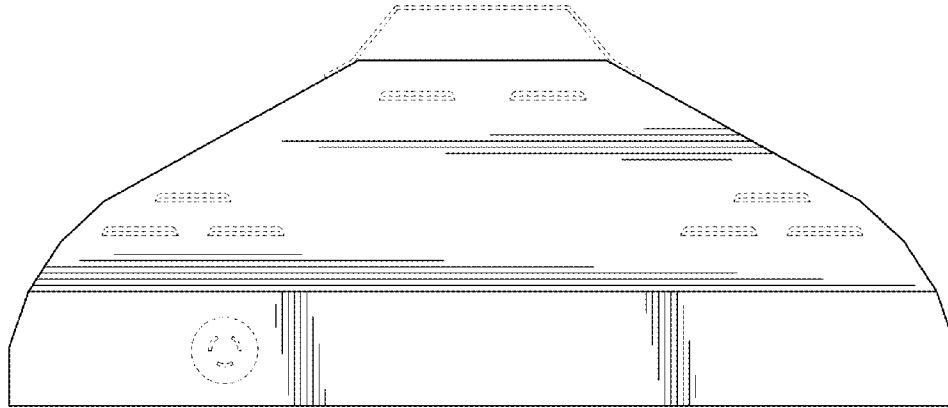


FIG. 5

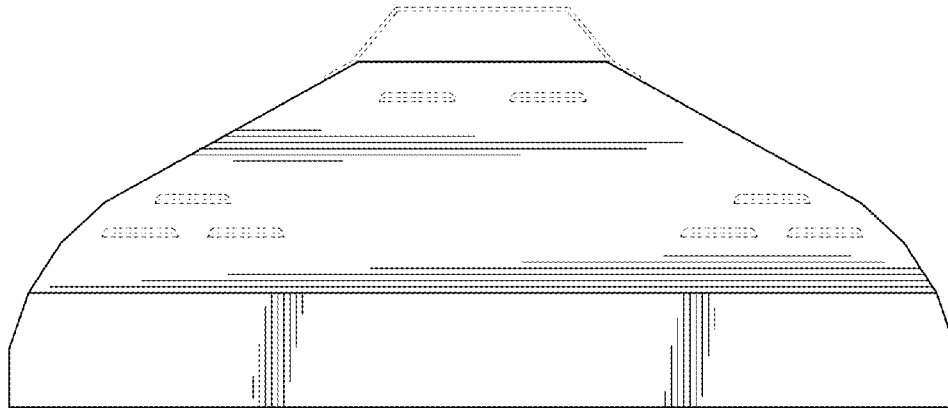


FIG. 6

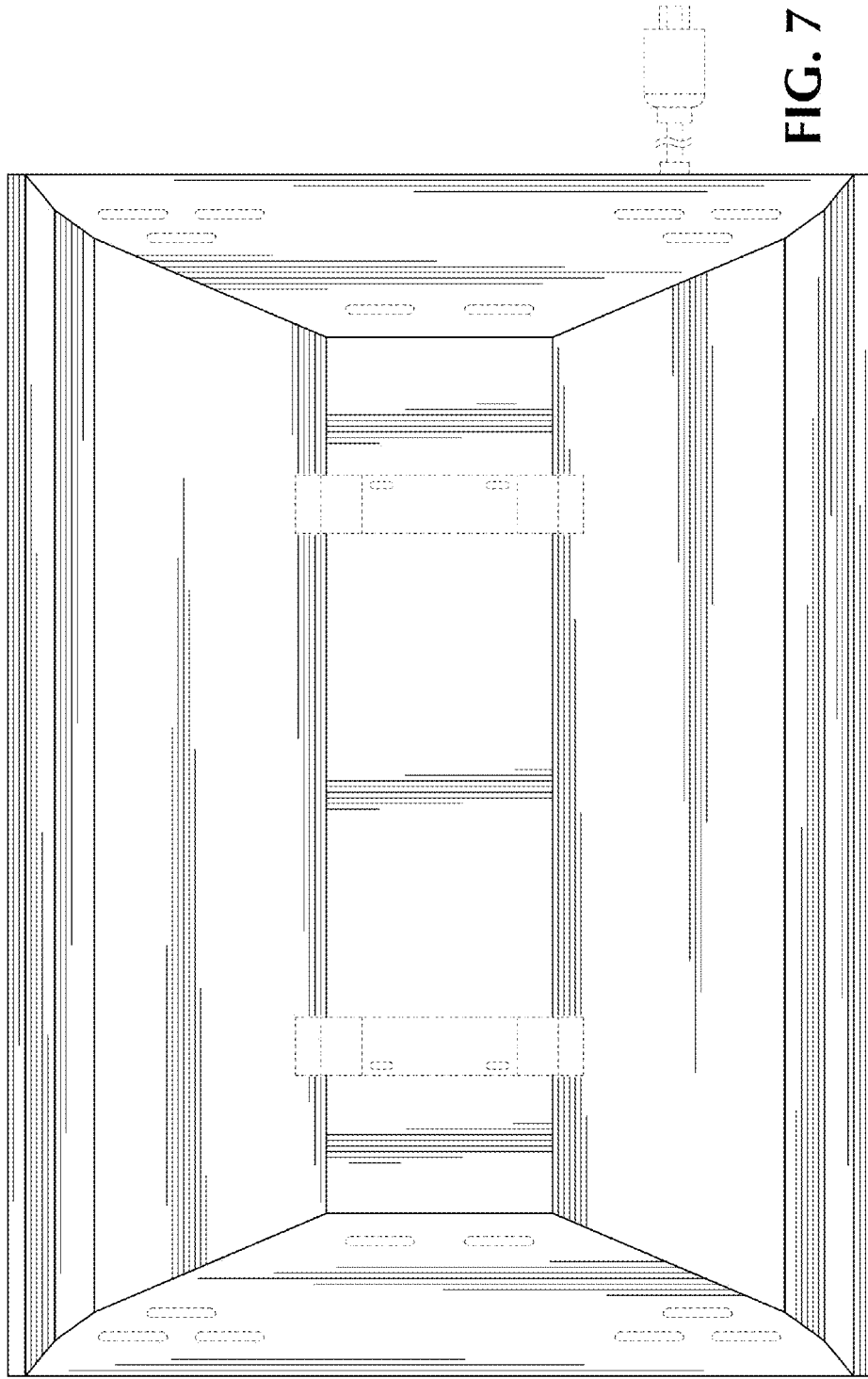


FIG. 7

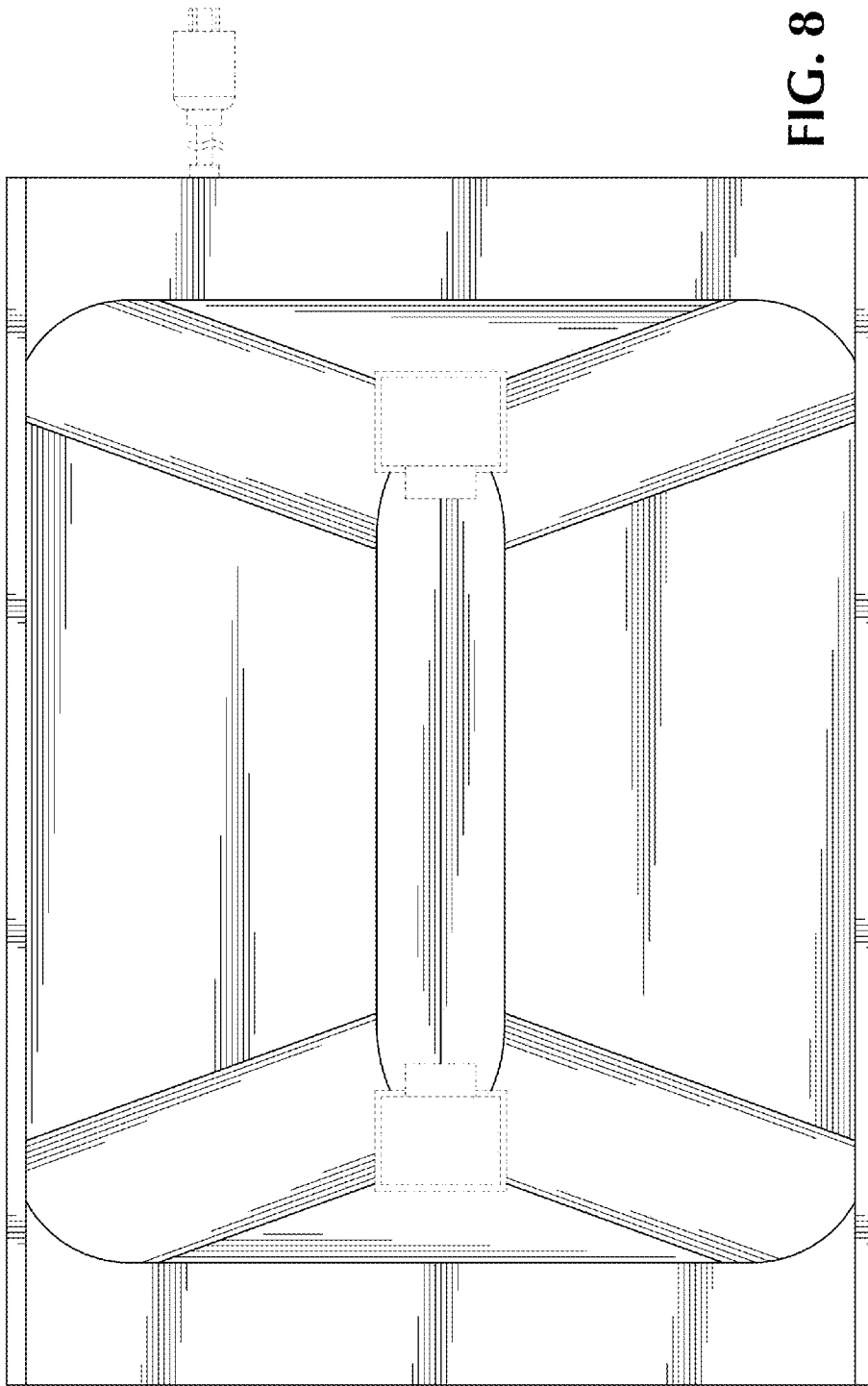


FIG. 8