



US00D917980S

(12) **United States Design Patent**
Lee

(10) **Patent No.:** **US D917,980 S**

(45) **Date of Patent:** **** May 4, 2021**

(54) **CONTAINER FOR FOOD STORAGE**

(71) Applicant: **Lock & Lock Co., Ltd.**, Asan-si (KR)

(72) Inventor: **Youn Jung Lee**, Guri-si (KR)

(73) Assignee: **LOCK & LOCK CO., LTD.**, Asan-si (KR)

(**) Term: **15 Years**

(21) Appl. No.: **29/669,697**

(22) Filed: **Nov. 9, 2018**

(30) **Foreign Application Priority Data**

Oct. 31, 2018 (KR) 30-2018-0050082

(51) **LOC (13) Cl.** **09-07**

(52) **U.S. Cl.**
USPC **D7/629**

(58) **Field of Classification Search**
USPC D7/601, 602, 603, 629, 619.1, 622;
D9/434, 435, 436, 449, 516, 529, 530,
D9/531, 572, 573, 574, 715, 414, 430,
D9/432

CPC B65D 83/205; B65D 83/384; B65D 83/75;
B65D 2543/00092; B65D 43/16; B65D
5/46; B65D 5/46072

See application file for complete search history.

(56) **References Cited**

U.S. PATENT DOCUMENTS

6,349,866 B1 * 2/2002 Stewart B65D 5/703
220/259.1
D540,493 S * 4/2007 Fick D3/294

D542,077 S * 5/2007 Claypool D7/312
D557,600 S * 12/2007 Pettigrew D9/420
D651,528 S * 1/2012 Robbins, III D10/46.2
D673,453 S * 1/2013 Luburic D9/516
D679,958 S * 4/2013 Yang D7/629
D708,888 S * 7/2014 Duran D7/317
D816,513 S * 5/2018 Cerrato D9/737
D831,445 S * 10/2018 Karger D7/709
D853,838 S * 7/2019 Liu D9/432
2002/0148846 A1 * 10/2002 Luburic B65D 43/0256
220/792

* cited by examiner

Primary Examiner — Derrick E Holland

Assistant Examiner — Andrew Kerr

(74) *Attorney, Agent, or Firm* — Stein IP, LLC

(57) **CLAIM**

The ornamental design for a container for food storage, as shown and described.

DESCRIPTION

FIG. 1 is a perspective view of a container for food storage, showing my new design;
FIG. 2 is a front elevation view thereof;
FIG. 3 is a rear elevation view thereof;
FIG. 4 is a left side elevation view thereof;
FIG. 5 is a right side elevation view thereof;
FIG. 6 is a top plan view thereof; and,
FIG. 7 is a bottom plan view thereof.

The broken lines in the drawings depict portions of the container for food storage that form no part of the claimed design.

1 Claim, 7 Drawing Sheets

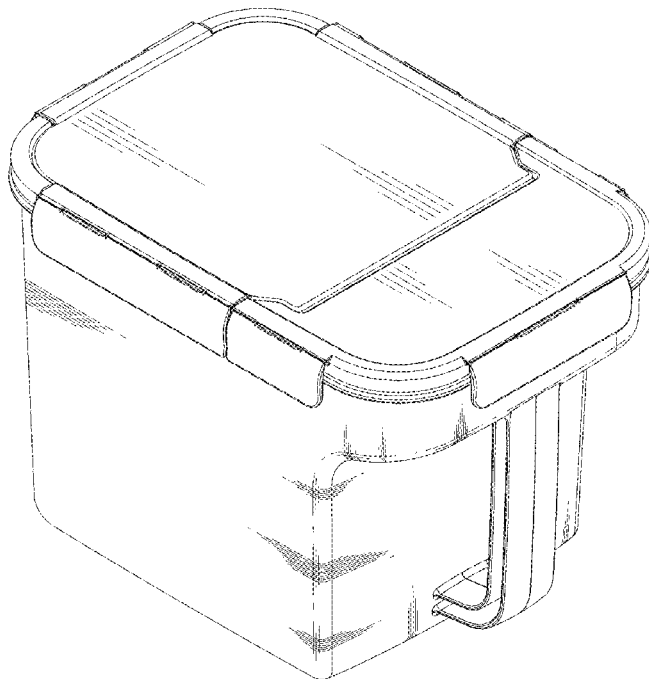


FIG. 1

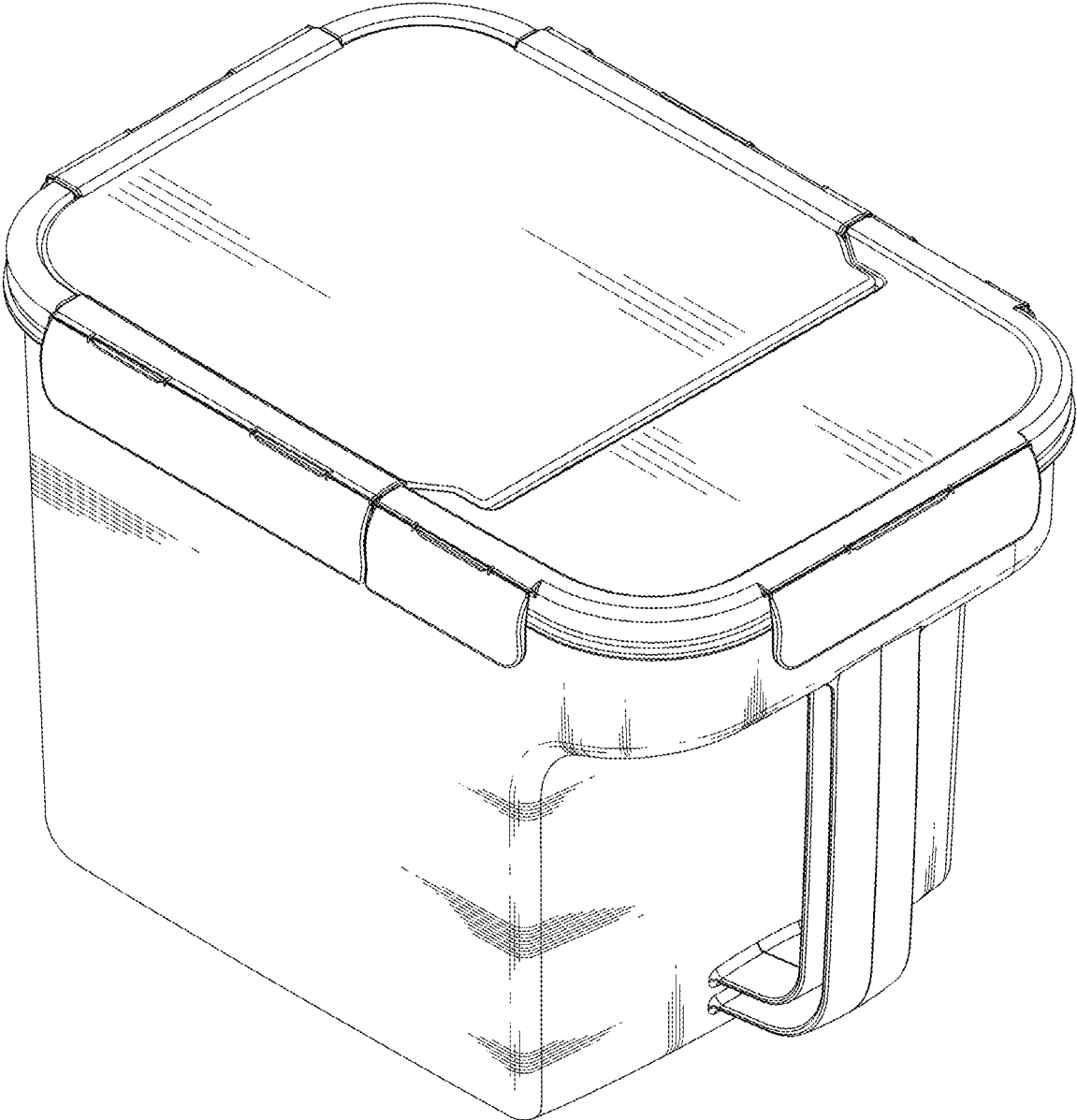


FIG. 2

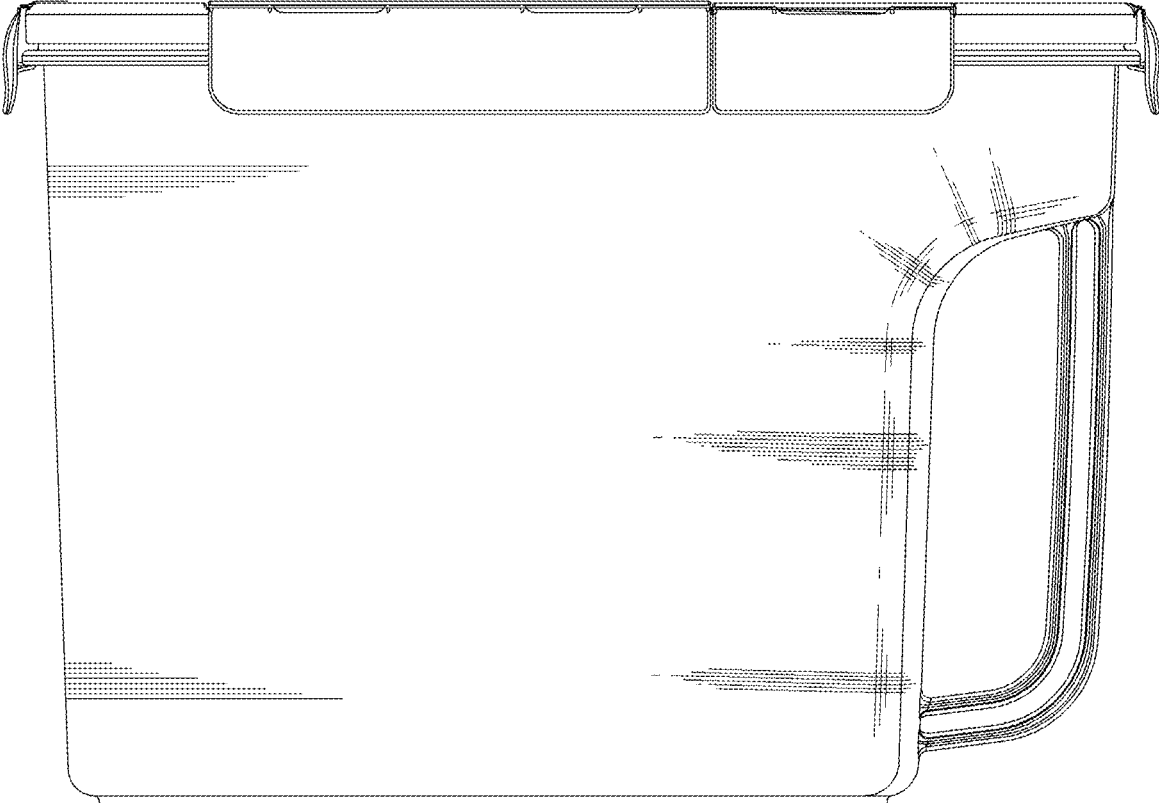


FIG. 3

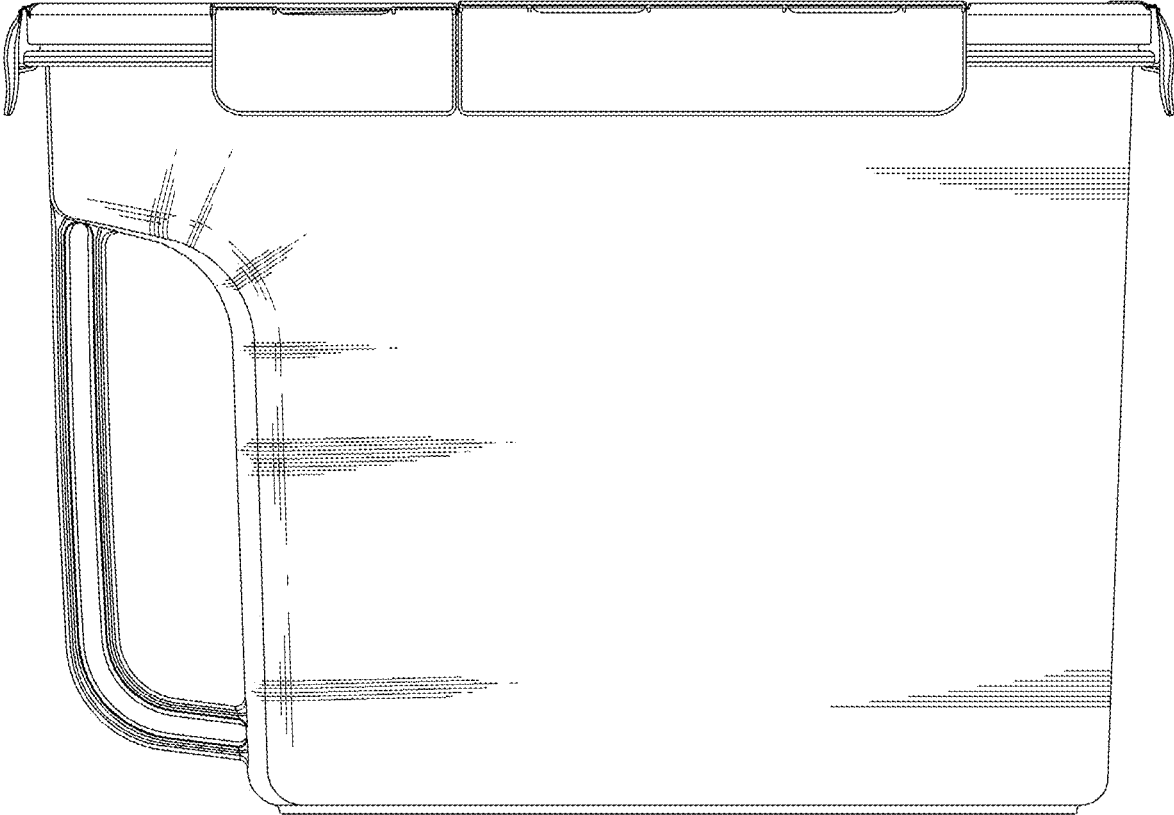


FIG. 4

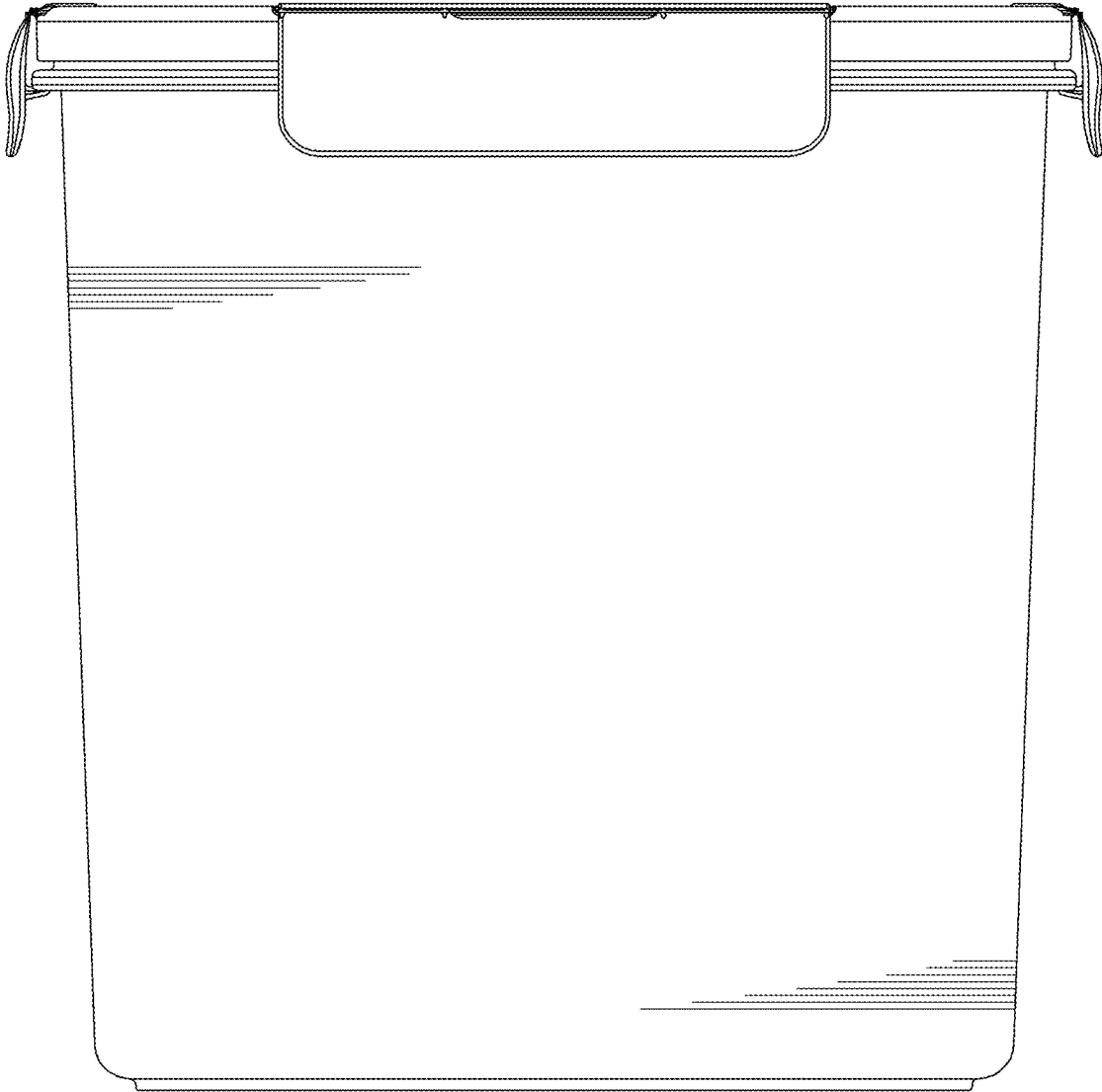


FIG. 5

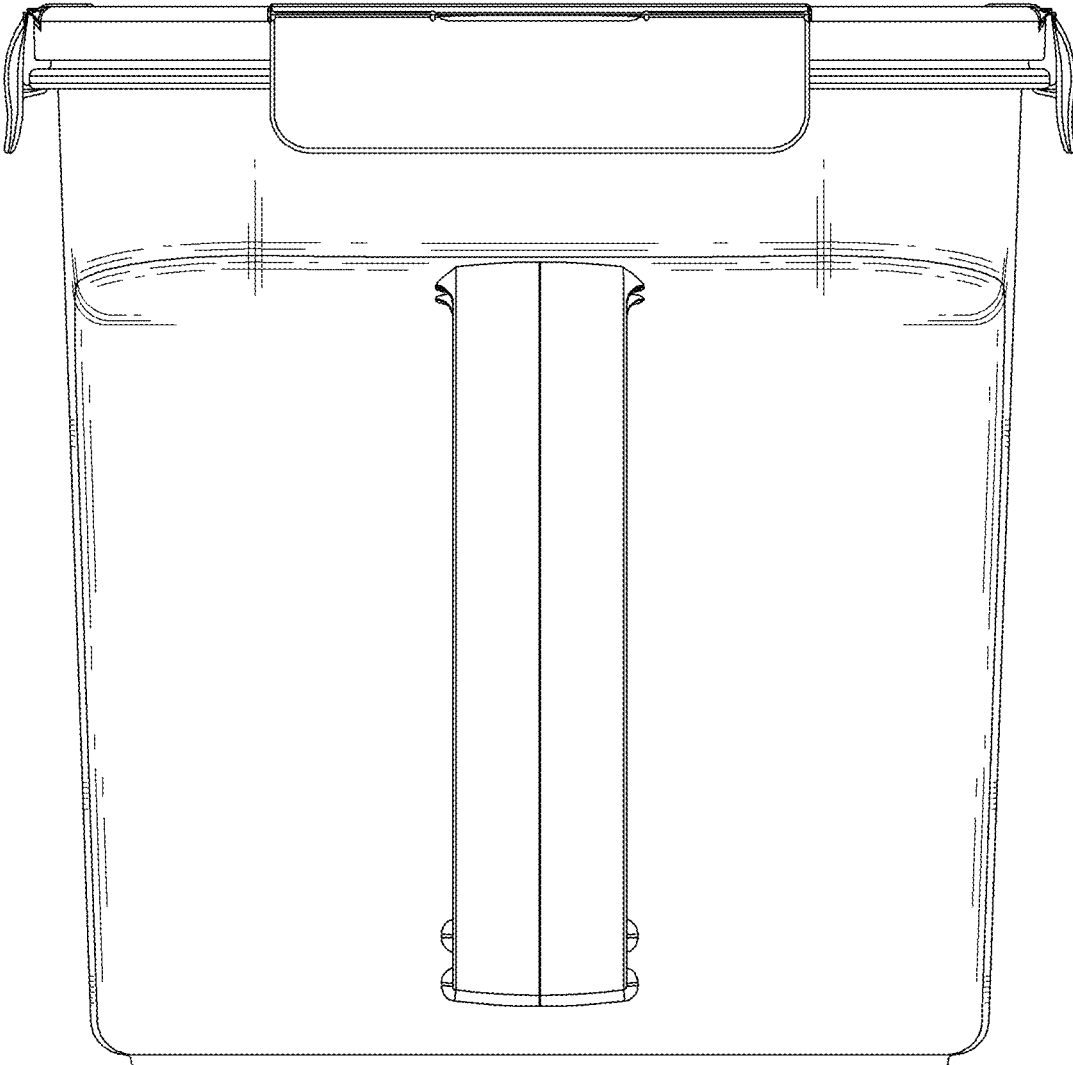


FIG. 6

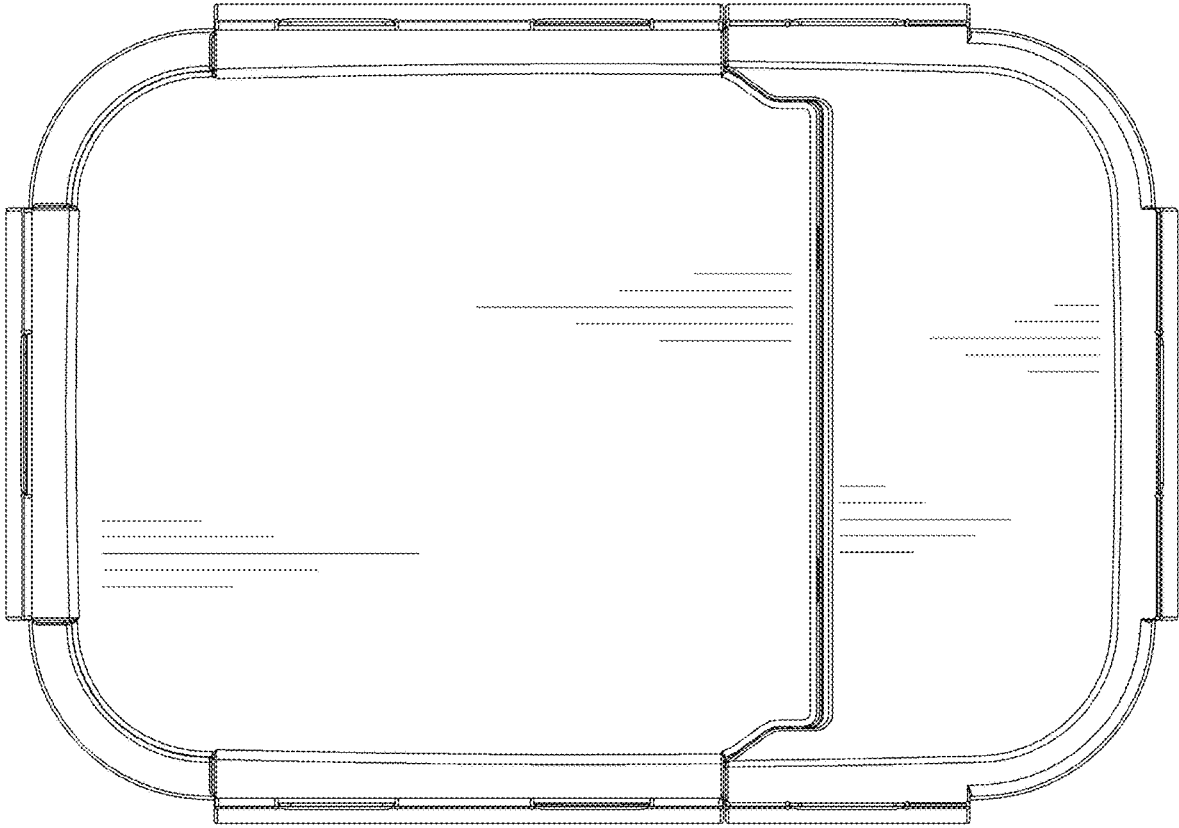


FIG. 7

