



(12) **United States Design Patent**
Zhou

(10) **Patent No.:** **US D949,102 S**
(45) **Date of Patent:** **** Apr. 19, 2022**

(54) **CHARGER**

(71) Applicant: **SHENZHEN CHT TECHNOLOGY CO., LTD**, Shenzhen (CN)

(72) Inventor: **Zejun Zhou**, Shenzhen (CN)

(73) Assignee: **SHENZHEN CHT TECHNOLOGY CO., LTD**, Shenzhen (CN)

(**) Term: **15 Years**

(21) Appl. No.: **29/744,542**

(22) Filed: **Jul. 29, 2020**

(30) **Foreign Application Priority Data**

Jul. 22, 2020 (CN) 202030402911.3

(51) **LOC (13) Cl.** **13-02**

(52) **U.S. Cl.**
USPC **D13/108**

(58) **Field of Classification Search**
USPC D13/103, 107, 108, 118, 119, 184;
D14/142, 149, 209.1, 251, 432, 433, 434,
D14/435.1; D21/333
CPC H02J 7/0044; H02J 50/00; H02J 7/02
See application file for complete search history.

(56) **References Cited**

U.S. PATENT DOCUMENTS

D315,330	S	*	3/1991	Soren	D13/107
D328,056	S	*	7/1992	Watanabe	D13/108
D509,788	S	*	9/2005	Schlieffers	D13/108
D563,867	S	*	3/2008	Ahlgren	D13/107
D597,940	S	*	8/2009	Navid	D13/108
D781,784	S	*	3/2017	Dingle	D13/108
D790,553	S	*	6/2017	Fitch	D14/453
D835,036	S	*	12/2018	Dunham	D13/108
D902,846	S	*	11/2020	Luo	D13/107
10,888,792	B2	*	1/2021	Loh	A63F 13/24

D926,676	S	*	8/2021	Hasenmayer	D13/107
2009/0072784	A1	*	3/2009	Erickson	H02J 7/0044 320/108
2020/0335987	A1	*	10/2020	Zheng	H02J 7/0013

OTHER PUBLICATIONS

“DOBE Controller Charger”. Found online Aug. 10, 2021 at amazon.com. Reference dated May 3, 2017. Retrieved from <https://www.amazon.com/DOBE-Controller-Charger-Charging-Indicators/dp/B07193XL8H>. (Year: 2017).*
“BEBONCOOL Xbox One Controller Charging Station”. Found online Aug. 11, 2021 at beboncool.com. Reference dated Aug. 5, 2018. Retrieved from https://tineye.com/search/e92271b036d2a33f49be59df0955b7db9e92b951?sort=crawl_date&order=asc&page=1. (Year: 2021).*
“PDP Energizer Nintendo Wii U and Wii Controller Charger”. Found online Apr. 6, 2021 at walmart.com. Reference dated May 6, 2015. Retrieved from <https://www.walmart.com/ip/PDP-Energizer-Nintendo-Wii-U-and-Wii-Controller-Charger-Black/40549448>. (Year: 2016).*

* cited by examiner

Primary Examiner — Kendra Leslie Hamilton
Assistant Examiner — Amanda Christensen

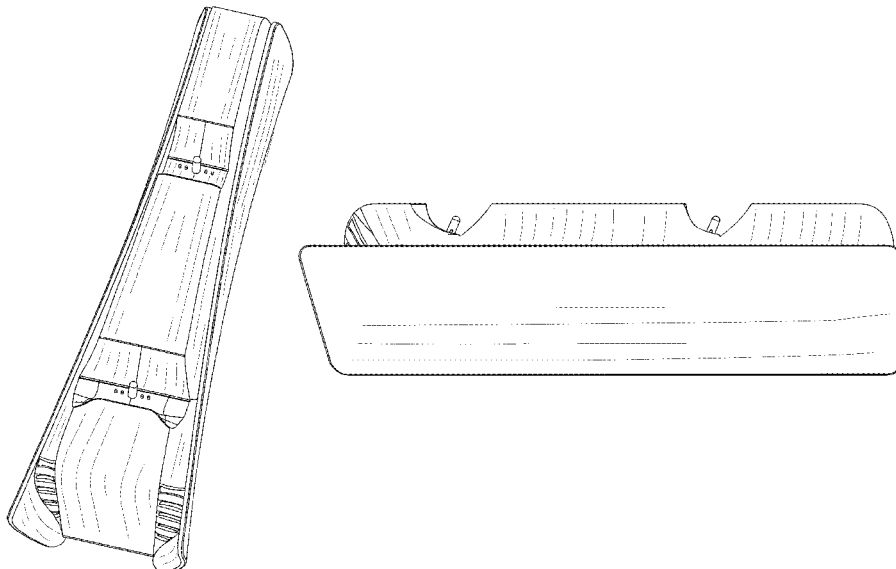
(57) **CLAIM**

The ornamental design for a charger, as shown and described.

DESCRIPTION

FIG. 1 is a top, front, right side perspective view of a charger showing my new design;
FIG. 2 is a bottom, rear, left side perspective view thereof;
FIG. 3 is a front elevational view thereof;
FIG. 4 is a rear elevational view thereof;
FIG. 5 is a left side elevational view thereof;
FIG. 6 is a right side elevational view thereof;
FIG. 7 is a bottom plan view thereof; and,
FIG. 8 is a top plan view thereof.

1 Claim, 8 Drawing Sheets



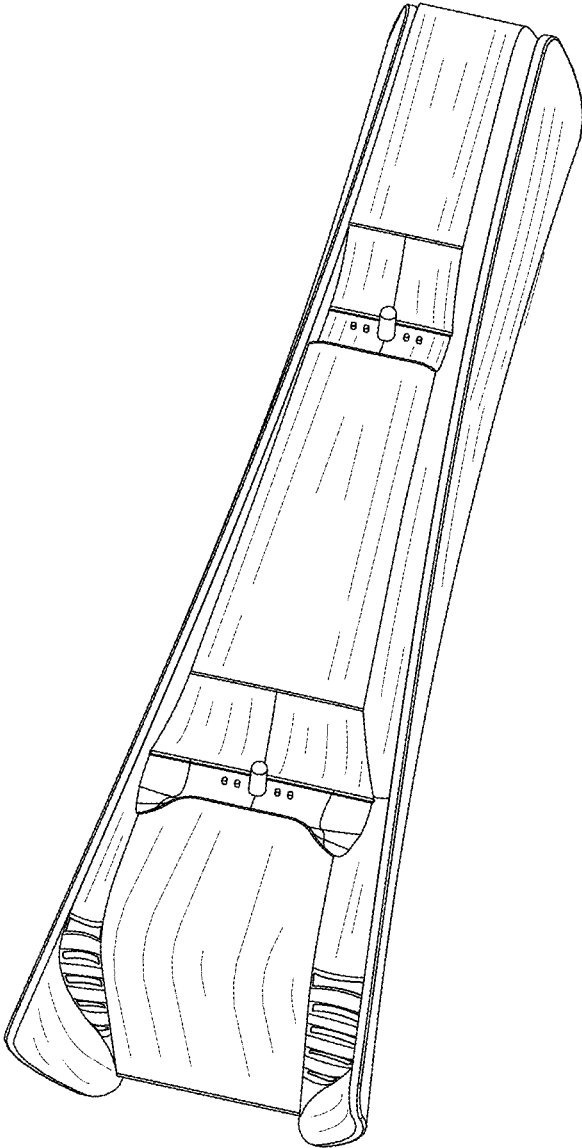


FIG. 1

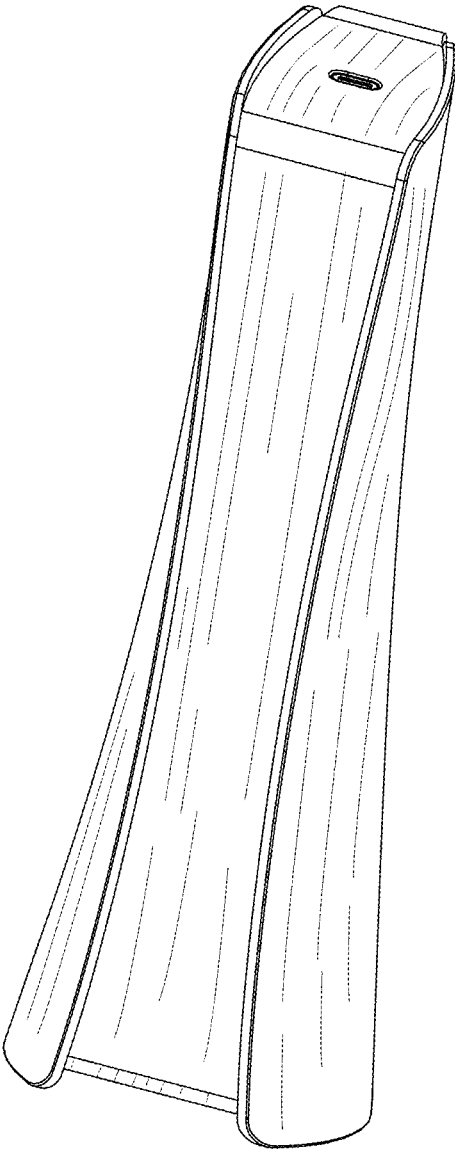


FIG. 2

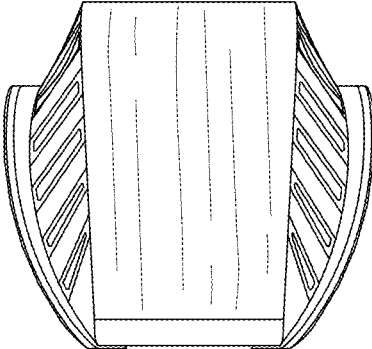


FIG. 3

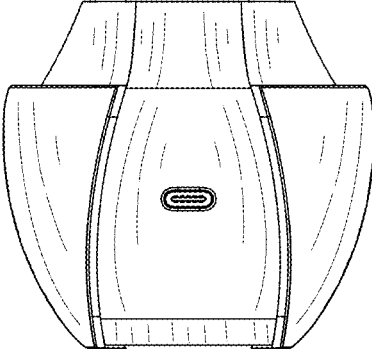


FIG. 4

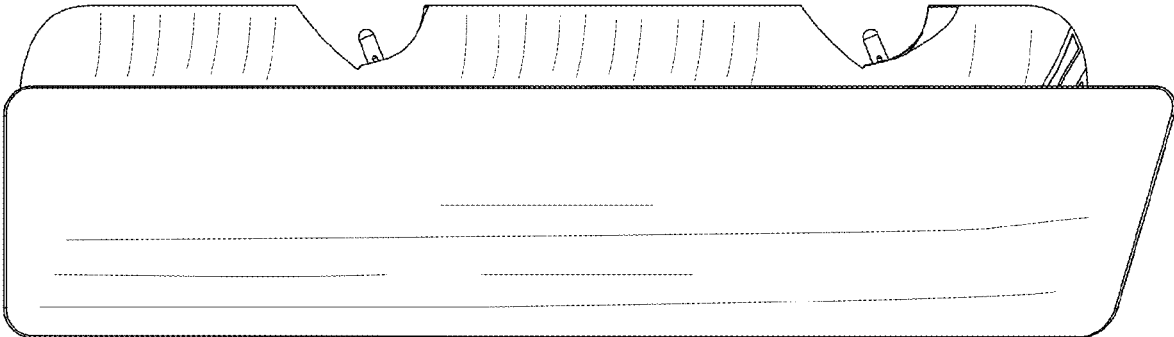


FIG. 5

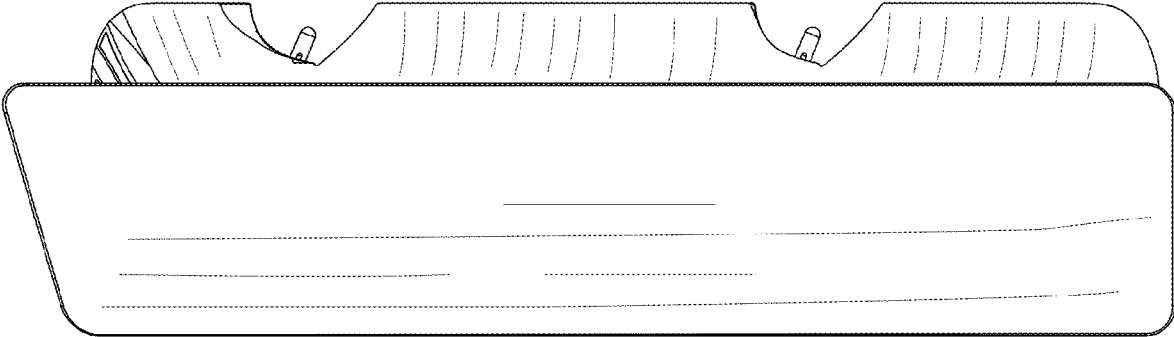


FIG. 6

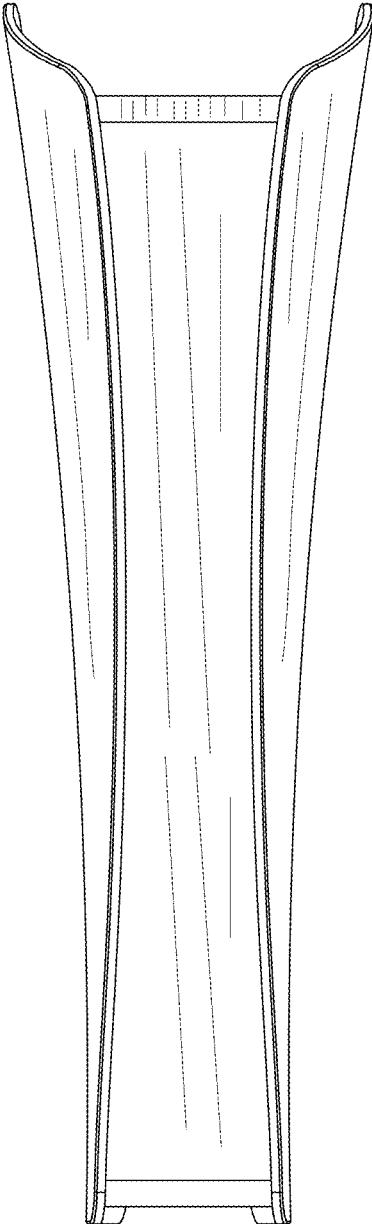


FIG. 7

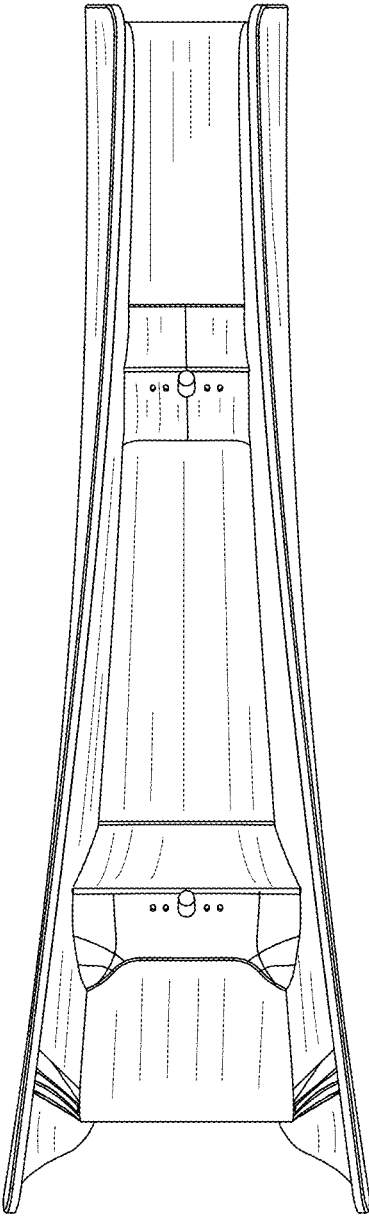


FIG. 8