



US00D826544S

(12) **United States Design Patent**
Yip et al.

(10) **Patent No.:** **US D826,544 S**

(45) **Date of Patent:** **** Aug. 28, 2018**

- (54) **BOW MAKING DEVICE BASE**
- (71) Applicant: **Berwick Offray LLC**, Berwick, PA (US)
- (72) Inventors: **Yi-Ling Yip**, Kearny, NJ (US); **Patrick Daniel Corcoran**, Pompton Lakes, NJ (US)
- (73) Assignee: **Berwick Offray LLC**, Berwick, PA (US)
- (**) Term: **15 Years**
- (21) Appl. No.: **29/595,670**
- (22) Filed: **Mar. 1, 2017**
- (51) **LOC (11) Cl.** **03-04**
- (52) **U.S. Cl.**
USPC **D3/18**
- (58) **Field of Classification Search**
USPC D3/18, 20, 26; D15/66
CPC D04D 11/00; D04D 7/10
See application file for complete search history.

- 3,126,093 A 3/1964 Bradley et al.
- 3,214,070 A * 10/1965 Twigg D04D 7/10 223/46
- 3,223,440 A 12/1965 Rosenzweig
(Continued)

OTHER PUBLICATIONS

Bowdabra (from Archive.org), available at <http://web.archive.org/web/20080612035745/http://www.bowdabra.com/> (at least as early as Jun. 12, 2008 per Archive.org) (2 pages).

(Continued)

Primary Examiner — John Windmuller
Assistant Examiner — Steven J Czyz
(74) *Attorney, Agent, or Firm* — McCarter & English, LLP

(57) **CLAIM**

What is claimed is an ornamental design for a bow making device base, as shown and described.

DESCRIPTION

FIG. 1 is a front perspective view of a bow making device base;

FIG. 2 is a top plan view of the bow making device base of FIG. 1;

FIG. 3 is a bottom plan view of the bow making device base of FIG. 1;

FIG. 4 is a front elevational view of the bow making device base of FIG. 1;

FIG. 5 is a rear elevational view of the bow making device base of FIG. 1;

FIG. 6 is a right side elevational view of the bow making device base of FIG. 1; and,

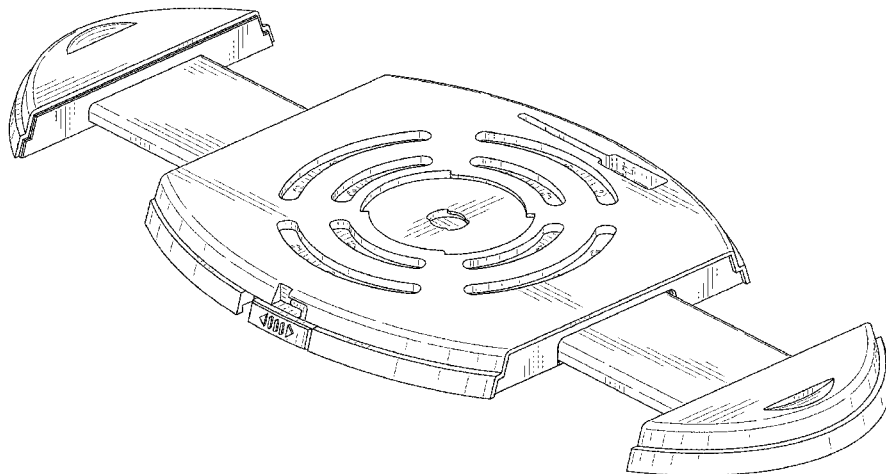
FIG. 7 is a left side elevational view of the bow making device base of FIG. 1.

The broken lines depict portions of the article that form no part of the claimed design.

1 Claim, 4 Drawing Sheets

(56) **References Cited**
U.S. PATENT DOCUMENTS

696,361 A	3/1902	Chase	
1,010,155 A	11/1911	Lange	
1,307,069 A	6/1919	Weismantel	
1,598,310 A	8/1926	Quinlan	
2,077,370 A	4/1937	Reynolds	
2,105,436 A	1/1938	Flatto	
2,107,194 A	2/1938	Yacker et al.	
2,521,863 A	9/1950	Mertz	
2,542,222 A	2/1951	Welch	
2,569,943 A	10/1951	Mitchell	
2,666,249 A	1/1954	Ruiz et al.	
2,763,080 A	9/1956	Welch	
2,828,896 A *	4/1958	Hanselman	D04D 7/10 223/46
2,905,368 A	9/1959	Runyan	
3,061,153 A *	10/1962	Rector	D04D 7/10 223/46



(56)

References Cited

U.S. PATENT DOCUMENTS

3,236,426 A 2/1966 Kerrigan et al.
 3,286,888 A * 11/1966 Cuttler D04D 7/10
 223/46
 3,289,900 A 12/1966 Mashburn, Jr. et al.
 3,377,674 A 4/1968 Brassaw et al.
 3,428,227 A 2/1969 Cavoli
 3,462,049 A 8/1969 Smith
 3,501,070 A * 3/1970 Shattuck D04D 7/10
 223/46
 3,816,888 A 6/1974 Rather, Jr.
 3,850,293 A 11/1974 Scaringi
 3,854,179 A 12/1974 Montoya
 4,186,833 A 2/1980 Homan
 4,337,578 A 7/1982 Seals
 D266,630 S * 10/1982 O'Brien D3/26
 4,410,113 A * 10/1983 Palombo D04D 7/10
 223/46
 4,454,968 A 6/1984 StLawrence
 4,629,100 A * 12/1986 Owens D04D 7/10
 223/46
 4,714,182 A 12/1987 Hecht
 5,100,706 A 3/1992 Zaweski
 5,111,637 A 5/1992 Weder et al.
 5,111,638 A 5/1992 Weder
 5,181,364 A 1/1993 Weder
 5,211,302 A 5/1993 Tiramani
 5,215,791 A 6/1993 Davignon
 5,239,804 A 8/1993 Weder et al.
 5,245,814 A 9/1993 Weder
 5,261,578 A * 11/1993 Monahan D04D 11/00
 223/46
 5,297,705 A * 3/1994 Schmidt A41H 43/00
 223/44
 D348,984 S 7/1994 Gilbert et al.
 5,356,056 A * 10/1994 Teuten D04D 7/10
 223/44
 5,369,934 A 12/1994 Weder
 5,388,386 A 2/1995 Weder
 5,407,108 A * 4/1995 Hambright D04D 7/10
 223/44
 5,408,802 A 4/1995 Weder et al.
 5,411,188 A * 5/1995 Teuten D04D 7/10
 223/44
 5,448,875 A 9/1995 Weder
 5,456,056 A 10/1995 Weder
 D364,732 S * 12/1995 Hyche D3/26
 D364,733 S * 12/1995 Cavender D3/26
 5,509,586 A * 4/1996 Leiser D04D 7/10
 223/46
 5,537,800 A 7/1996 Weder
 5,560,181 A 10/1996 Weder
 5,595,046 A 1/1997 Weder
 5,596,862 A 1/1997 Weder
 5,617,979 A * 4/1997 Cavender D04D 7/10
 223/44
 D381,200 S 7/1997 Benson
 5,662,250 A * 9/1997 Werling D04D 7/10
 223/44
 D389,998 S * 2/1998 Cavender D3/26
 D393,147 S * 4/1998 Renshaw D3/26
 D396,950 S * 8/1998 Werling D3/26
 5,810,214 A * 9/1998 Hecht D04D 7/10
 223/46
 5,913,450 A 6/1999 Runkel

5,975,383 A * 11/1999 Cavender D04D 7/10
 223/44
 6,000,586 A * 12/1999 Cavender D04D 7/10
 223/44
 6,131,778 A * 10/2000 Etzion D04D 7/10
 223/46
 D456,614 S 5/2002 Zemel
 D483,667 S * 12/2003 Crowley D9/433
 D513,365 S 1/2006 Singh et al.
 D580,649 S * 11/2008 Ota D3/26
 D581,661 S 12/2008 Gonzalez
 D594,645 S * 6/2009 Oe D3/26
 D594,646 S * 6/2009 Oe D3/26
 D594,647 S * 6/2009 Oe D3/26
 D610,458 S 2/2010 Martin
 D614,858 S * 5/2010 Ranzau D3/26
 D615,291 S * 5/2010 Ranzau D3/26
 D615,746 S * 5/2010 Ranzau D3/26
 D632,432 S * 2/2011 Holloway D28/40
 7,946,456 B1 * 5/2011 Holloway A45D 8/26
 223/46
 8,403,145 B1 * 3/2013 Yip D04D 11/00
 206/391
 D682,537 S * 5/2013 Maligno D3/26
 D741,591 S * 10/2015 Shainwald D3/26
 D741,592 S * 10/2015 Shainwald D3/26
 2008/0073386 A1 * 3/2008 Lavorato D04D 11/00
 223/46
 2009/0294490 A1 * 12/2009 Gustin D04D 7/10
 223/46
 2010/0025438 A1 * 2/2010 Ranzau A41D 25/08
 223/46
 2012/0012621 A1 * 1/2012 Sellers D04D 7/10
 223/46
 2013/0015214 A1 * 1/2013 Ranzau A41D 25/08
 223/46

OTHER PUBLICATIONS

Fiskars Bow Maker, available at <http://www.fiskarscrafts.com/tools/t.sub.—bow-maker.aspx> and available at <http://crafts-sewing.hsn.com/fiskars-bow-maker-ultimate-bow-and-floral--stapler.sub.--p-3331722.sub.—xp.aspx> (Prior to Jul. 27, 2009) (4pages).
 Itsy Bitsy Bow Maker (from Archive.org), available at <http://web.archive.org/web/20071026124534/http://www.packrat-pro.htm/bows-/bows.htm> and <http://web.archive.org/web/20071026165758/http://www.packrat-pro.com/bows-/bowhow1.htm> (Oct. 26, 2007 per Archive.org) (6 pages).
 Jiffy Bow Maker, available at www.jiffybowmaker.com (prior to Jul. 27, 2009) (additional info at Archive.org) (3 pages).
 TheCardLadies Adjustable Bow Maker (from Archive.org), available at <http://web.archive.org/web/20080420121139/http://www.thecardladies.com/Bo-wMaker.htm> (at least as early as Apr. 20, 2008 per Archive.org) (3 pages).
 U.S. Appl. No. 09/109,563, title: Folded Corrugated Material and Method for Producing Same, filed Jul. 2, 1998 (abandoned).
 U.S. Appl. No. 08/133,618, title: Bow Making Apparatus, filed Oct. 7, 1993 (abandoned) (21 pages).
 Office Action dated Apr. 3, 2018, issued in connection with U.S. Appl. No. 29/595,650 (15 pages).
 U.S. Appl. No. 15/446,294, entitled "Bow Making Device With Interchangeable Components," filed Mar. 1, 2017 (57 pages).
 U.S. Appl. No. 29/595,650, entitled "Bow Making Device," filed Mar. 1, 2017 (5 pages).

* cited by examiner

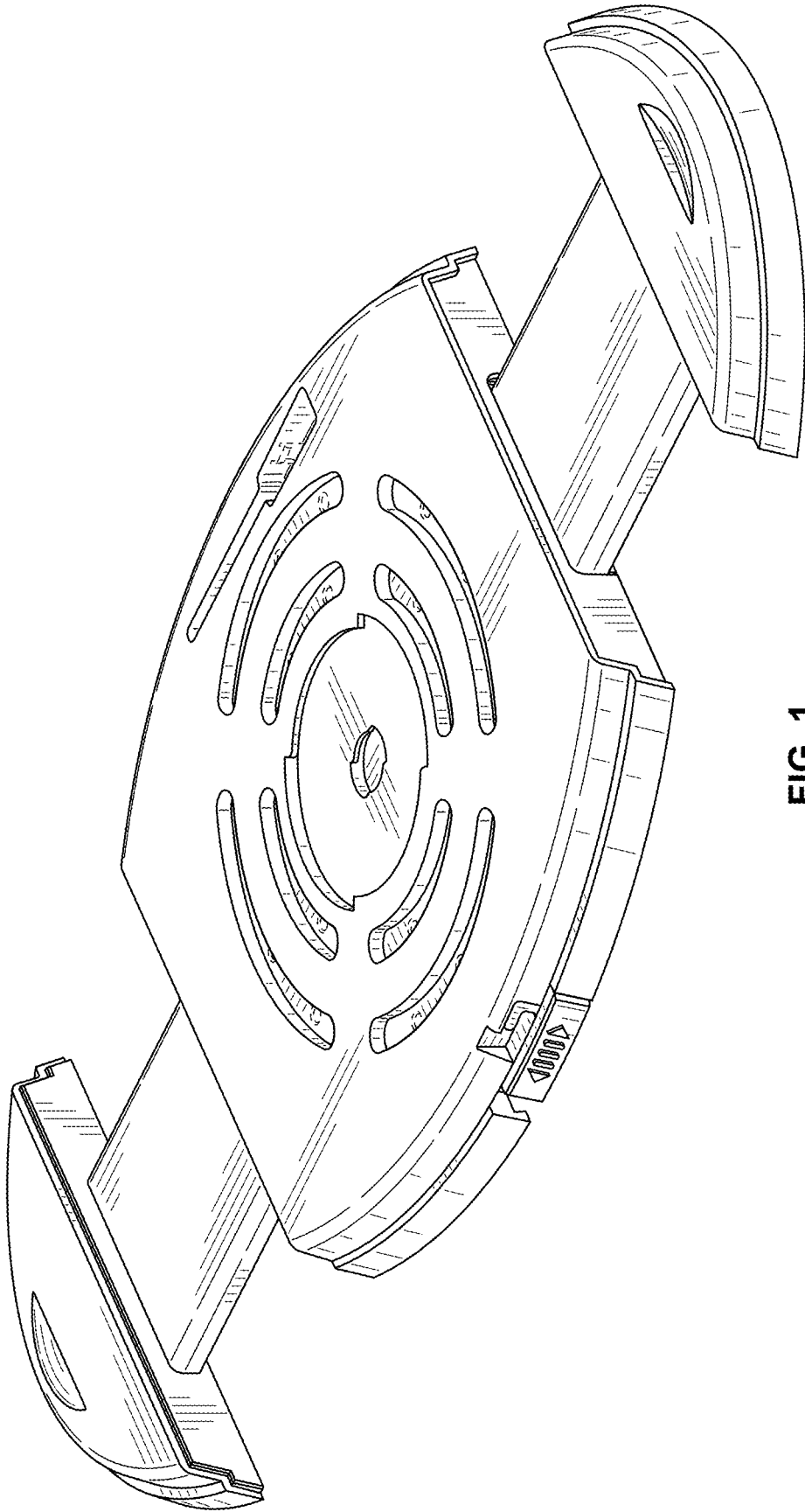


FIG. 1

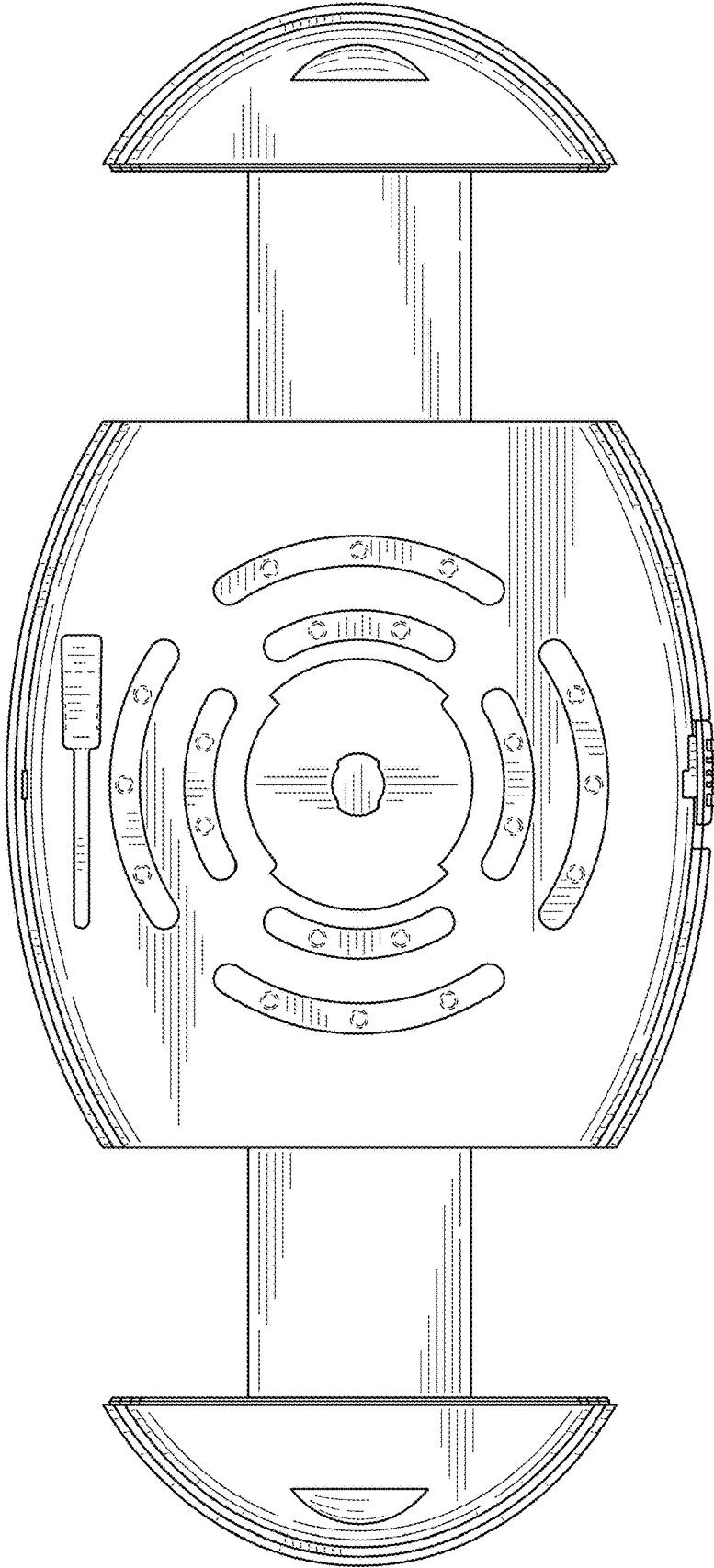


FIG. 2

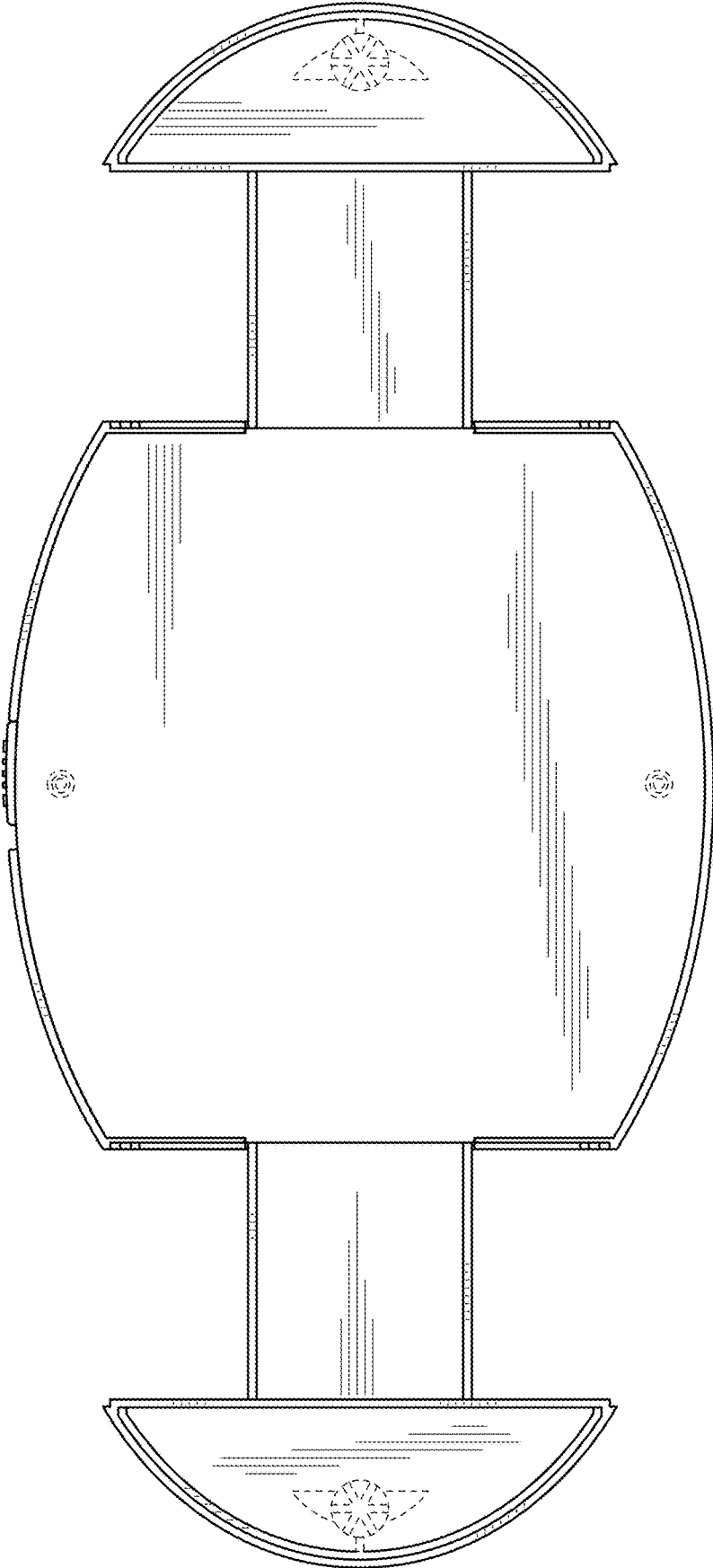


FIG. 3

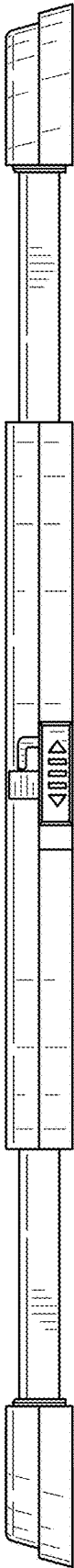


FIG. 4



FIG. 5

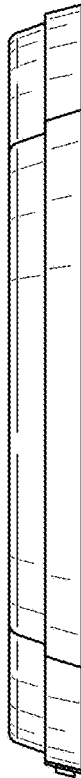


FIG. 6

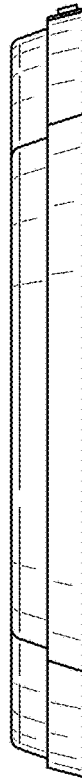


FIG. 7