



US00D602906S

(12) **United States Design Patent**
Groves et al.

(10) **Patent No.:** **US D602,906 S**

(45) **Date of Patent:** **** Oct. 27, 2009**

(54) **COMMUNICATION HEADSET**

(75) Inventors: **William R Groves**, Naperville, IL (US);
Michael A Minneci, Cary, IL (US);
David P Townsend, Lakewood, IL (US)

(73) Assignee: **Motorola, Inc.**, Schaumburg, IL (US)

(**) Term: **14 Years**

(21) Appl. No.: **29/321,401**

(22) Filed: **Jul. 16, 2008**

(51) **LOC (9) Cl.** **14-01**

(52) **U.S. Cl.** **D14/205**

(58) **Field of Classification Search** D14/205,
D14/206, 223, 188, 192; D29/112; 2/410,
2/423, 209; 128/857, 866; 181/129, 130;
379/430, 433; 455/90.3, 575.1, 575.2, 569.2;
381/370, 371, 372, 376, 377, 378, 379, 380,
381/381, 382

See application file for complete search history.

(56) **References Cited**

U.S. PATENT DOCUMENTS

D337,116 S *	7/1993	Hattori	D14/206
D443,603 S *	6/2001	Taylor et al.	D14/206
D463,784 S *	10/2002	Taylor et al.	D14/206
D482,019 S *	11/2003	Petersen et al.	D14/206
D488,146 S *	4/2004	Minto	D14/206
D494,957 S *	8/2004	Rath et al.	D14/206
D498,470 S *	11/2004	Skulley et al.	D14/206
D517,528 S *	3/2006	Skulley	D14/206
D530,702 S *	10/2006	Pritchard et al.	D14/206
D531,165 S *	10/2006	Rath	D14/206
D532,407 S *	11/2006	Motoishi	D14/205
D538,261 S *	3/2007	Taylor et al.	D14/205

D538,785 S *	3/2007	Skulley	D14/206
D540,778 S *	4/2007	Thompson et al.	D14/206
D541,255 S *	4/2007	Taylor et al.	D14/205

OTHER PUBLICATIONS

U.S. Appl. No. 29/321,399, filed Jul. 16, 2008, in the name of William R. Groves, entitled "Communication Headset".

U.S. Appl. No. 29/321,402, filed Jul. 16, 2008, in the name of William R. Groves, entitled "Communication Headset".

Motorola, Inc., "Motorola Re-defines Play Time with the Revolutionary Video Gaming Headset X205", http://www.motorola.com/mediacenter/news/detail.jsp?globalObjectId=6723_6680_23, May 10, 2006, Los Angeles, California.

* cited by examiner

Primary Examiner—Paula Greene

(57) **CLAIM**

The ornamental design for a communication headset, as shown and described.

DESCRIPTION

FIG. 1 is a perspective view of a communication headset showing our new design;

FIG. 2 is a front view thereof;

FIG. 3 is a rear view thereof;

FIG. 4 is a first side view thereof;

FIG. 5 is a second side view thereof;

FIG. 6 is a top view thereof; and,

FIG. 7 is a bottom view thereof.

The broken line in FIGS. 1–7 showing environmental structures is for illustrative purposes and forms no part of the claim design.

1 Claim, 6 Drawing Sheets

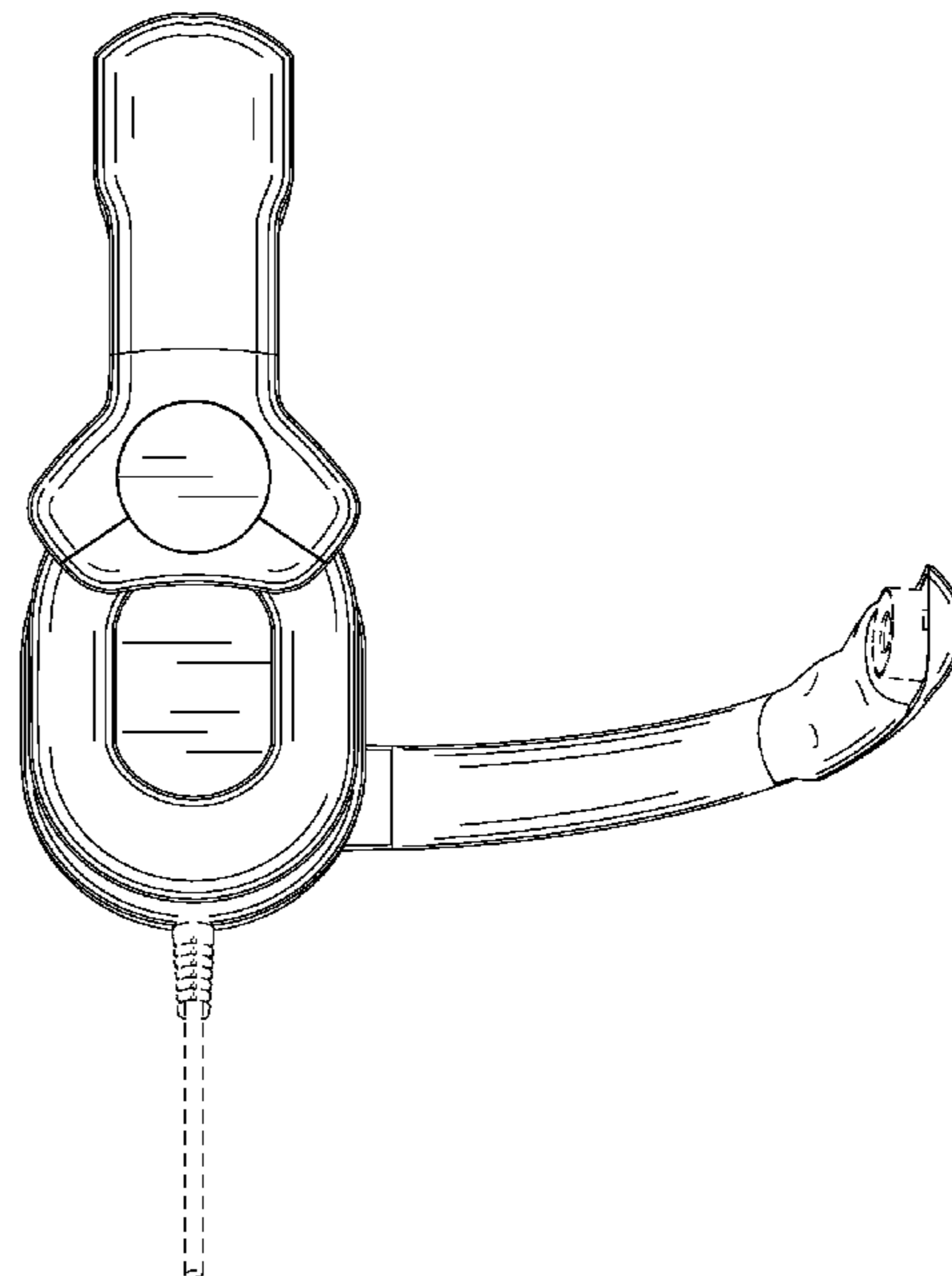
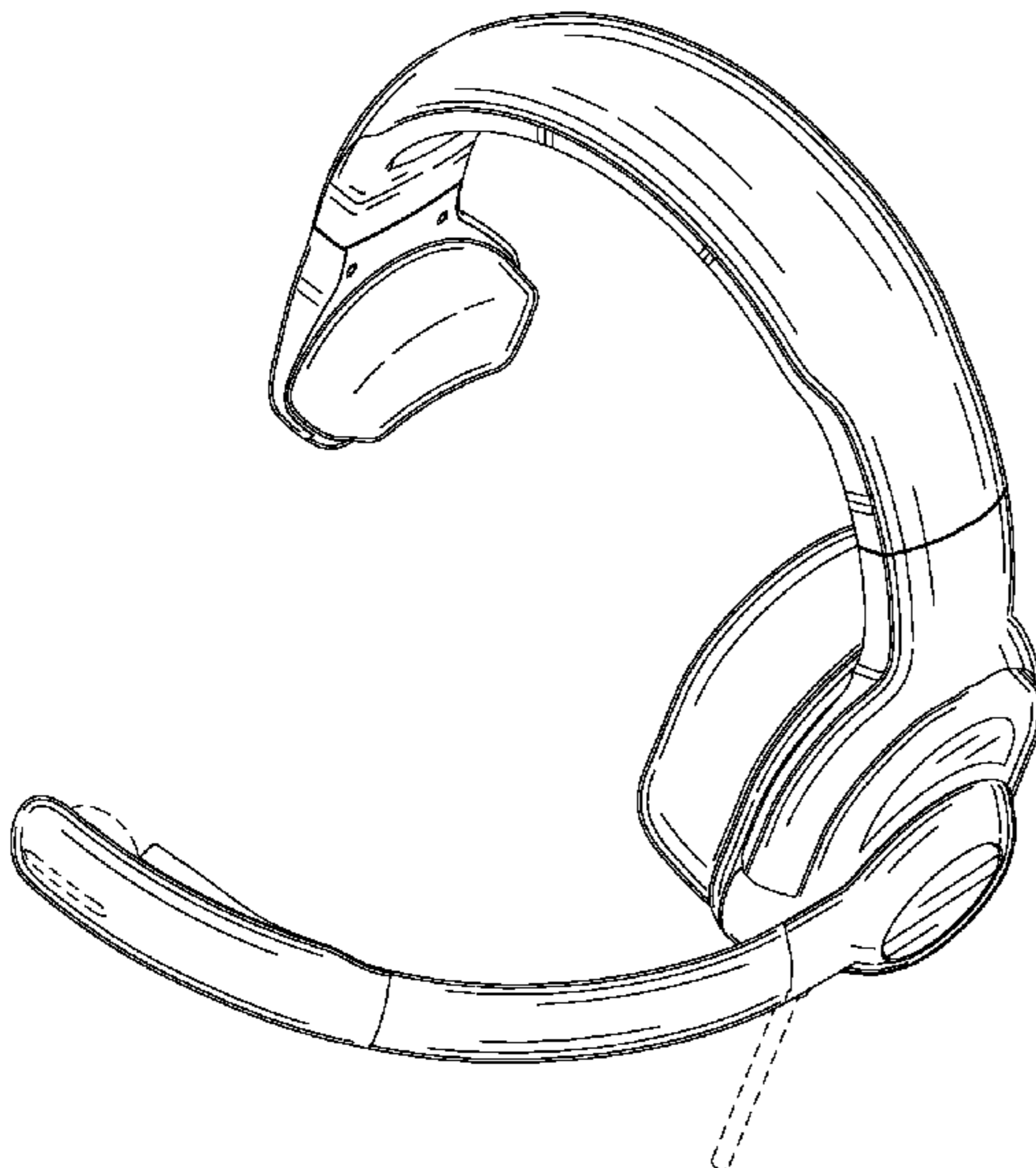




FIG. 1

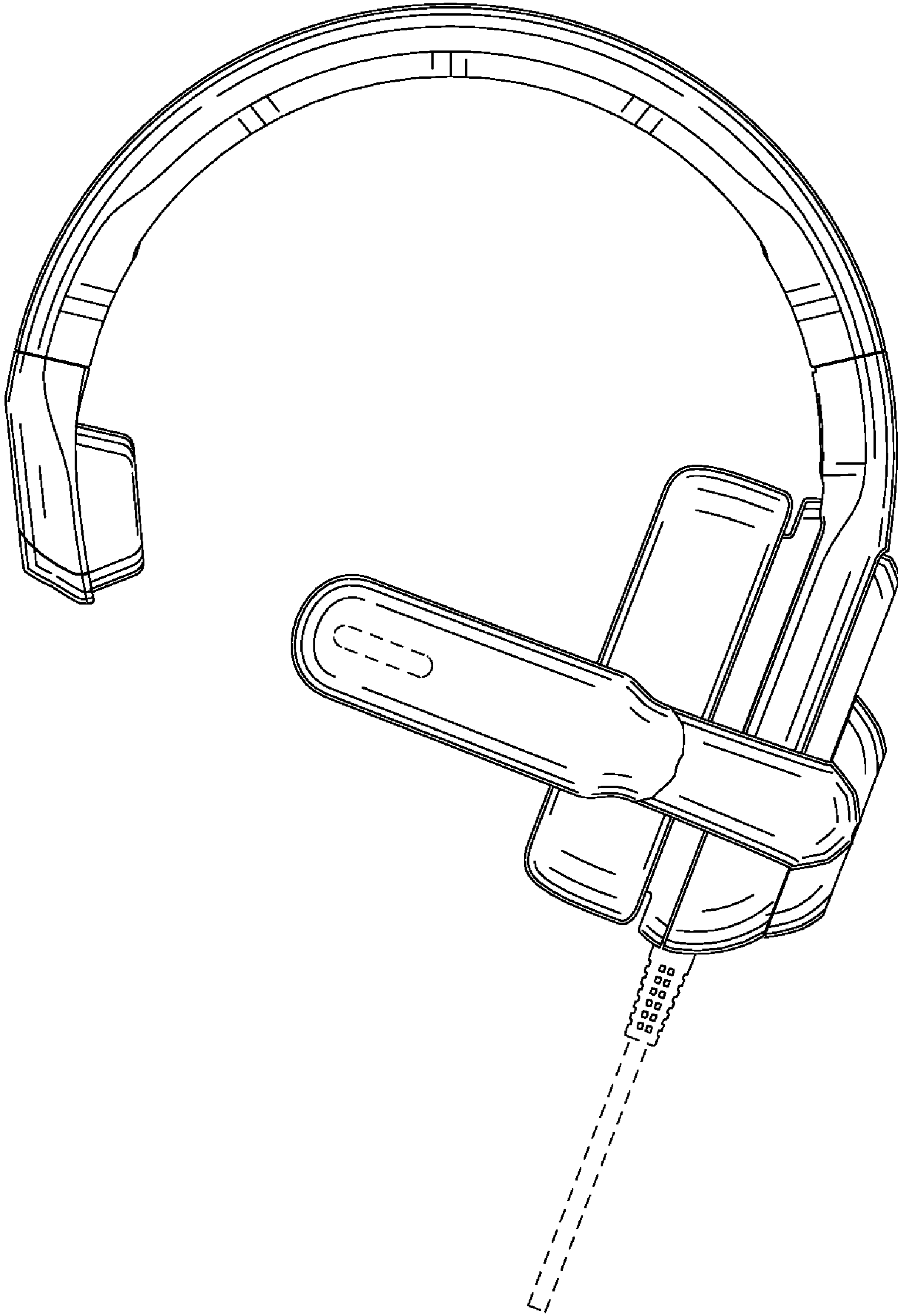


FIG. 2

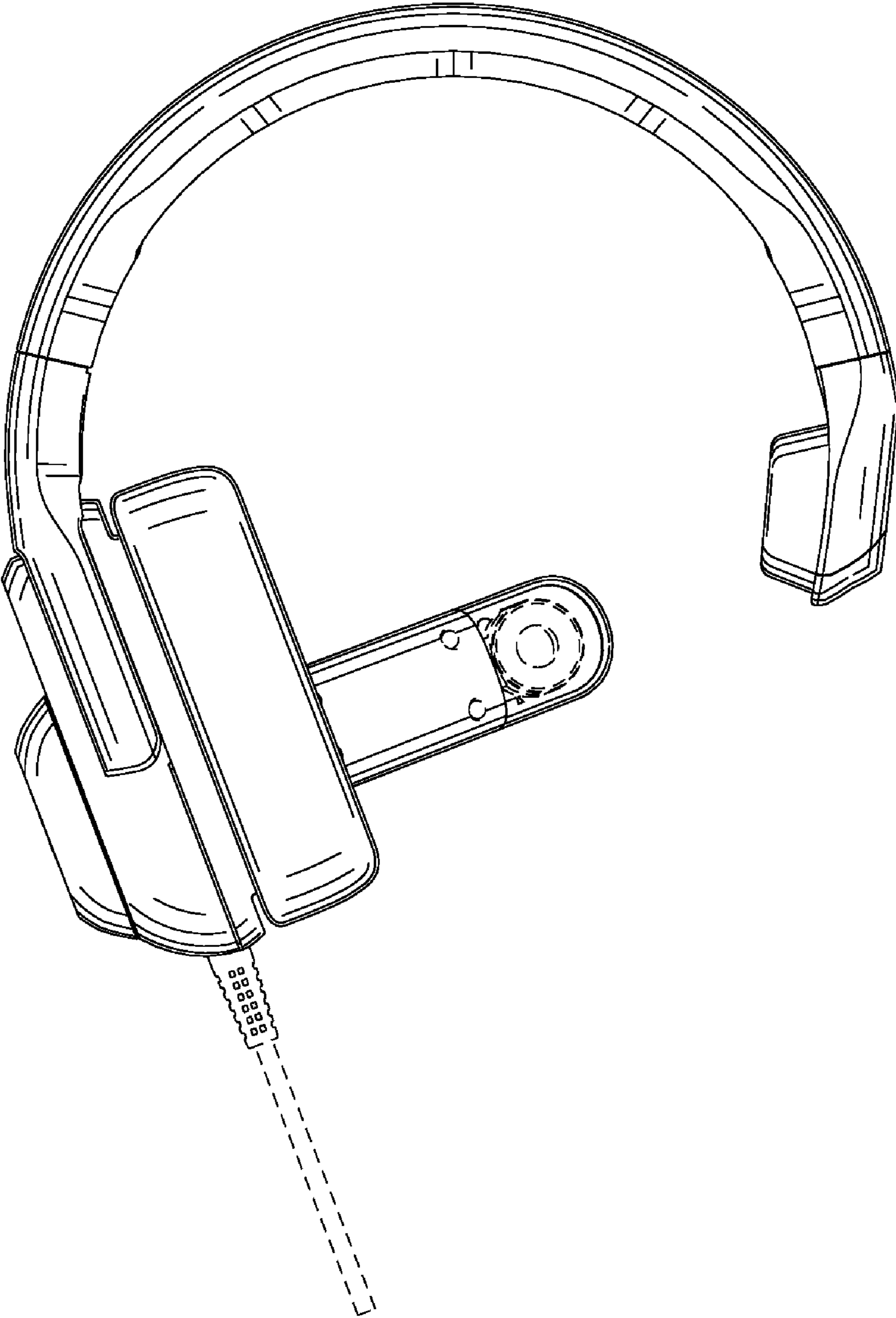


FIG. 3

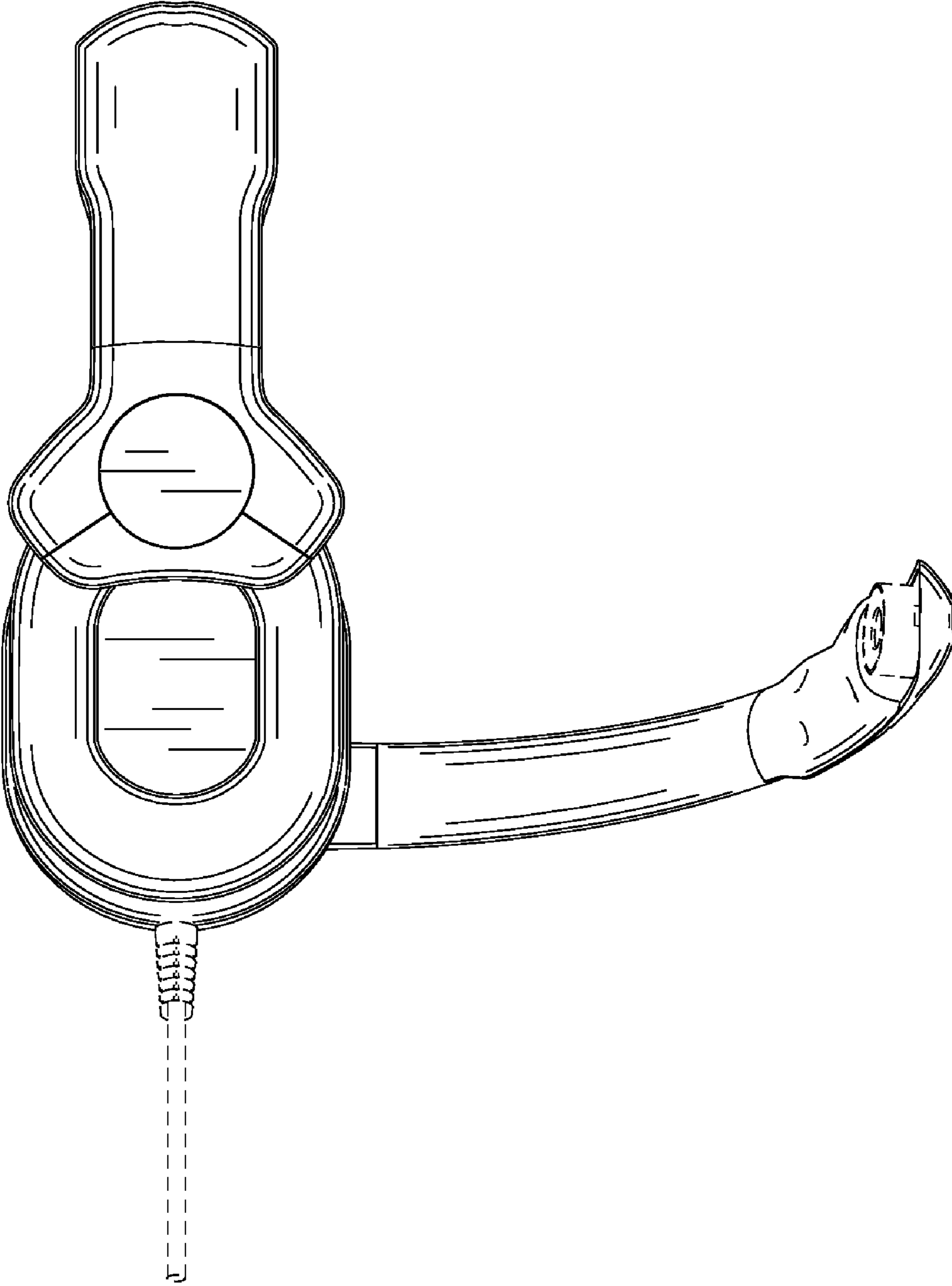


FIG. 4

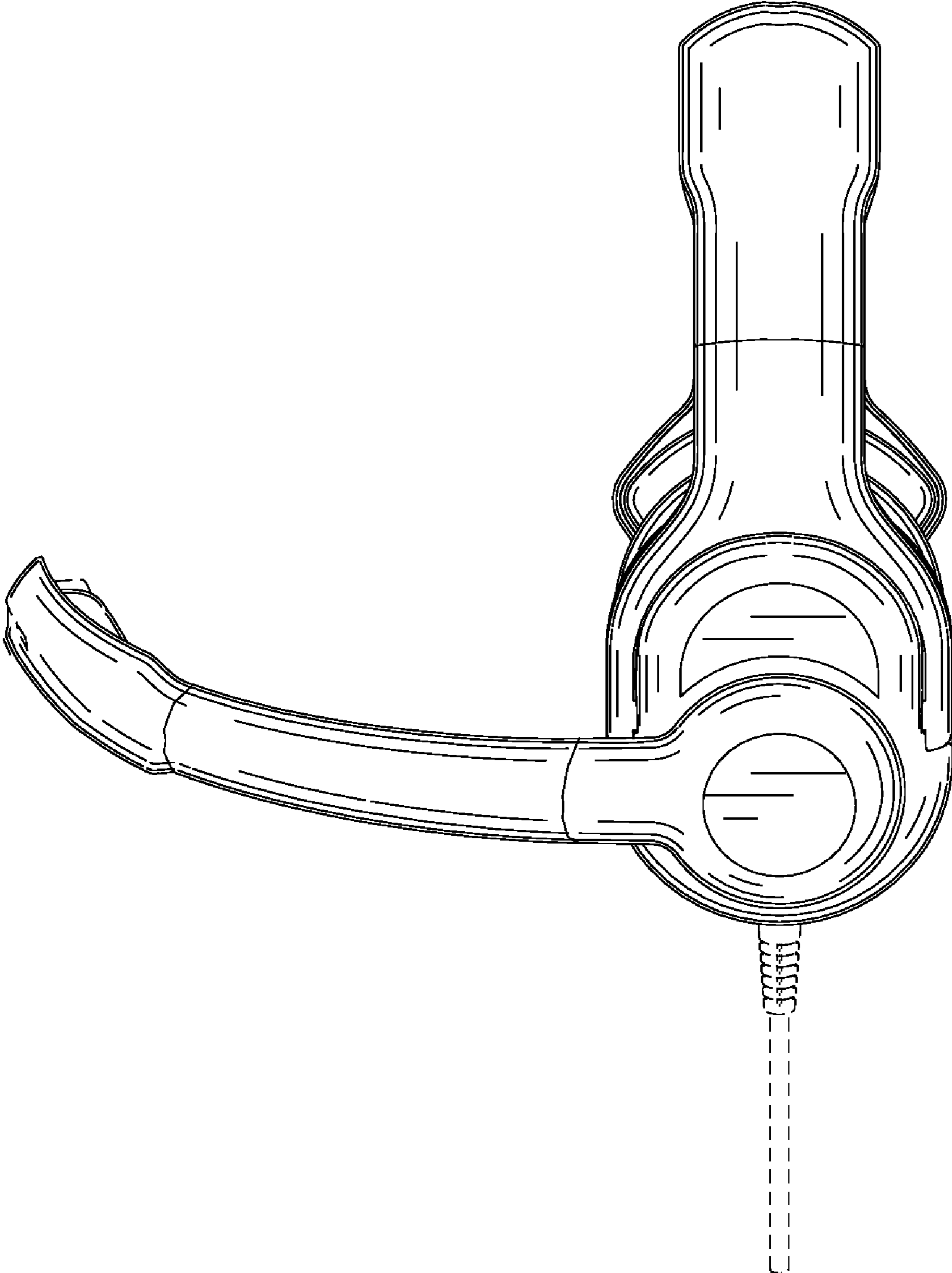


FIG. 5

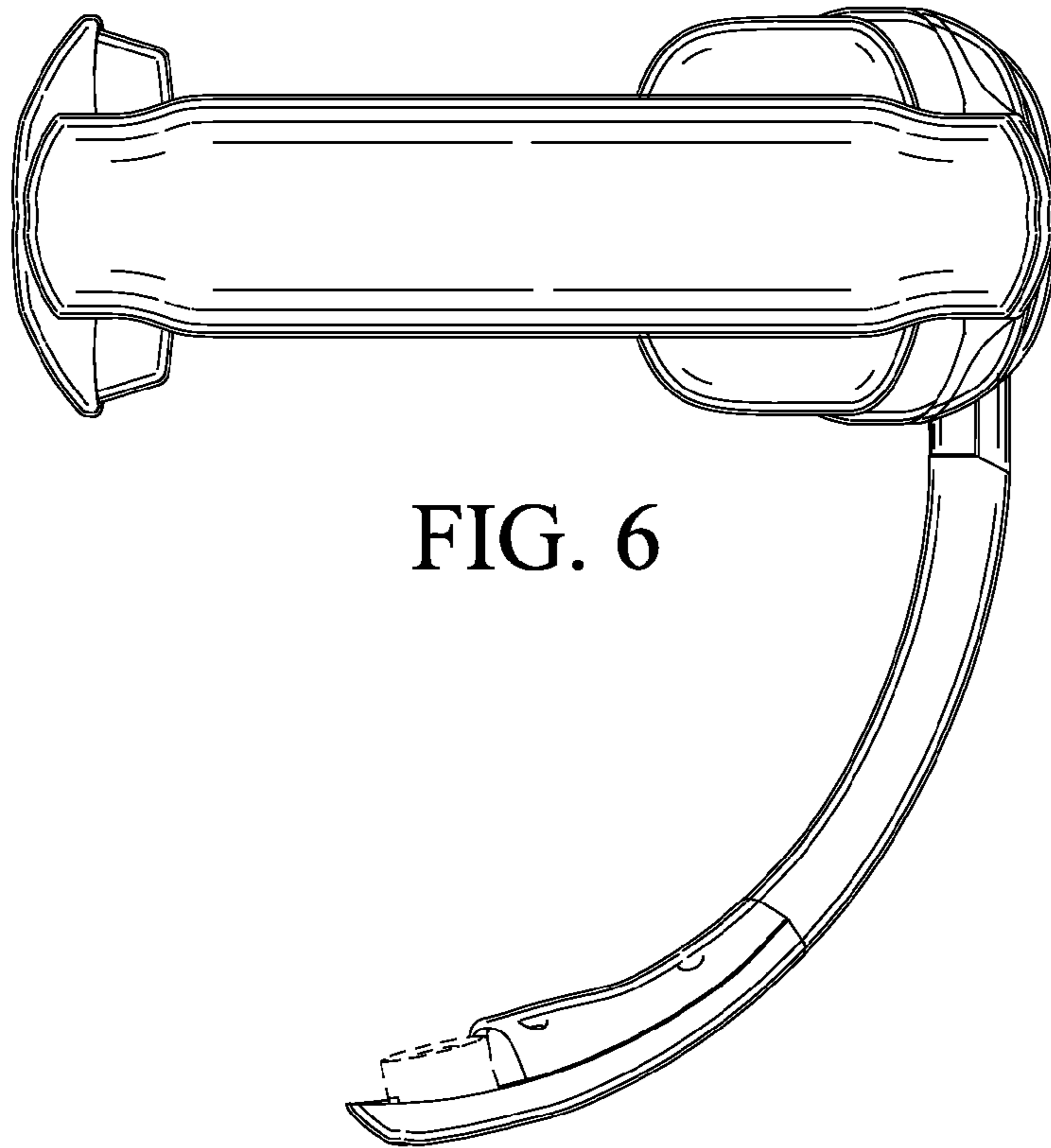


FIG. 6

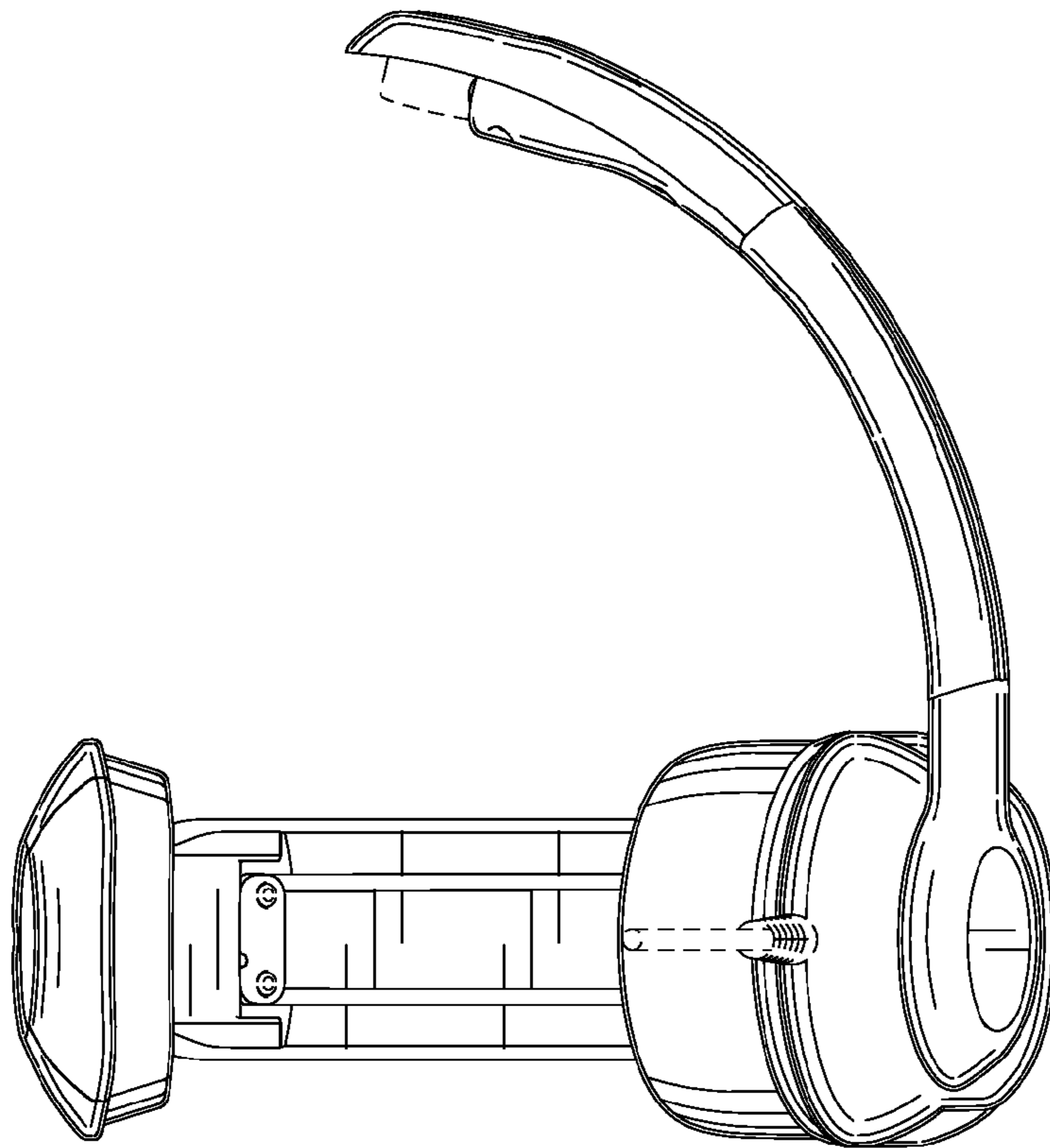


FIG. 7