

# United States Patent [19]

Kuivila et al.

[11] Patent Number: Des. 318,519

[45] Date of Patent: \*\* Jul. 23, 1991

- [54] **COMBINED ELECTRIC ACTUATOR AND VALVE CONTROLLER**
- [75] Inventors: **Allan M. Kuivila, Mentor; Peter C. Williams, Cleveland, both of Ohio**
- [73] Assignee: **Whitey Co., Highland Hts., Ohio**
- [\*\*] Term: **14 Years**
- [21] Appl. No.: **301,340**
- [22] Filed: **Jan. 24, 1989**
- [52] U.S. Cl. .... **D23/245**
- [58] Field of Search ..... 251/171, 174, 214, 315, 251/129.15; 137/556, 72, 312, 328, 625.470; D23/233; 257/129.11, 129.12; 310/89

3,263,959	8/1966	Wlisenewski .....	251/129.15
3,651,833	3/1972	Piko .....	251/129.15
3,653,630	4/1972	Ritsema .....	251/129.15
3,965,923	6/1976	Allen .....	251/129.15
4,056,255	11/1977	Lace .....	251/129.15
4,091,348	5/1978	Kawamoto et al. ....	251/129.15

*Primary Examiner*—A. Hugo Word  
*Assistant Examiner*—Demetrius Reynolds  
*Attorney, Agent, or Firm*—Fay, Sharpe, Beall, Fagan, Minnich & McKee

[57] **CLAIM**

The ornamental design for combined electric actuator and valve controller, as shown.

**DESCRIPTION**

FIG. 1 is a top plan view of an combined electric actuator and valve controller showing our new design; FIG. 2 is a front elevational view thereof, the rear view being a mirror image of the front shown; FIG. 3 is a bottom plan view thereof; FIG. 4 is a right side elevational view thereof; and, FIG. 5 is a left side elevational view thereof.

[56] **References Cited**  
**U.S. PATENT DOCUMENTS**

D. 211,085	5/1968	Padula .....	D23/233
D. 223,095	3/1972	Allen .....	D23/233
D. 229,413	11/1973	Luckenbill et al. ....	D23/233
D. 246,907	1/1978	Fialkowski et al. ....	D23/233
3,103,339	9/1963	Rose .....	251/335.1

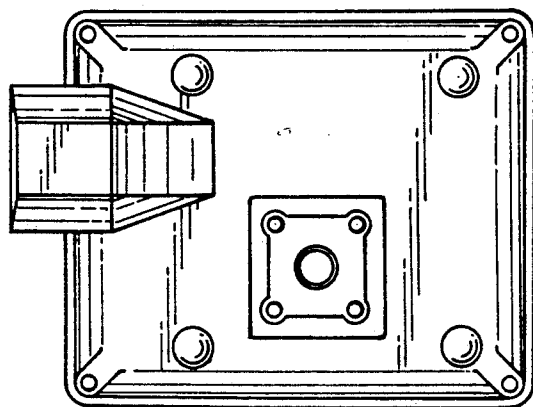
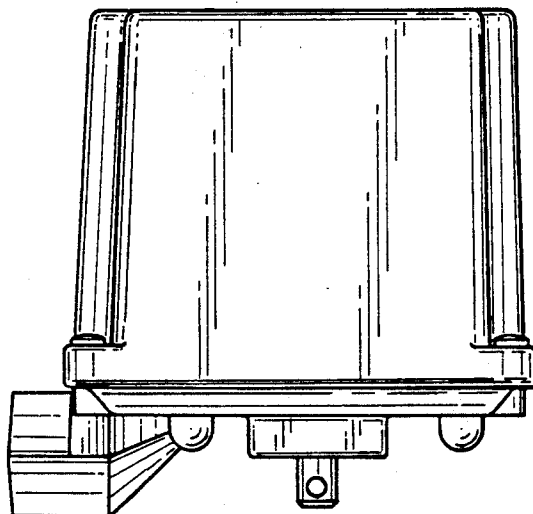


FIG. 1

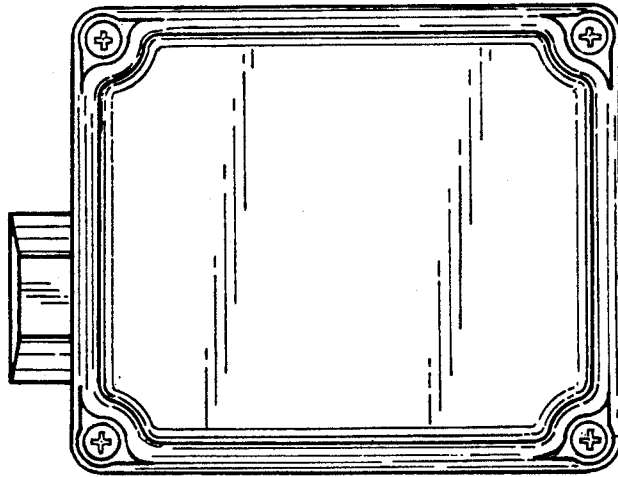


FIG. 2

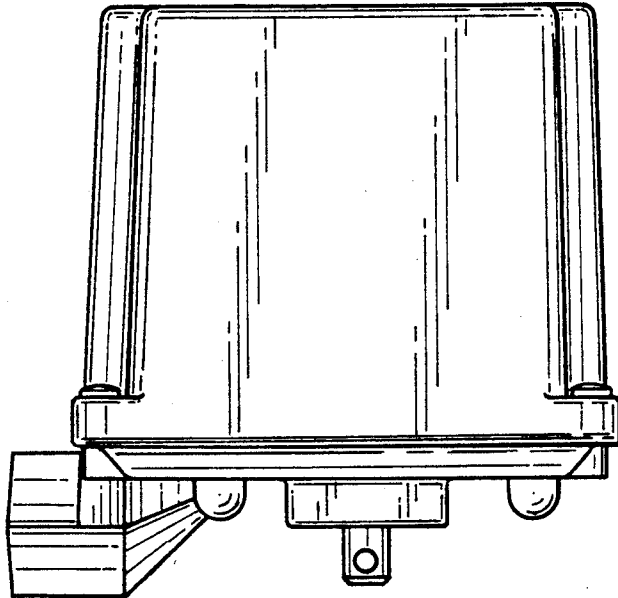


FIG. 3

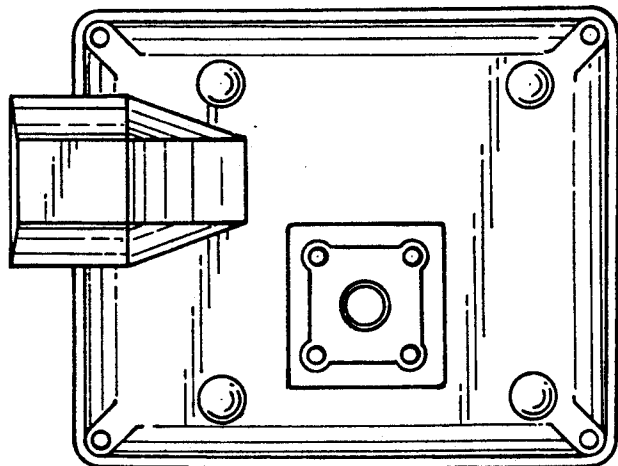


FIG. 4

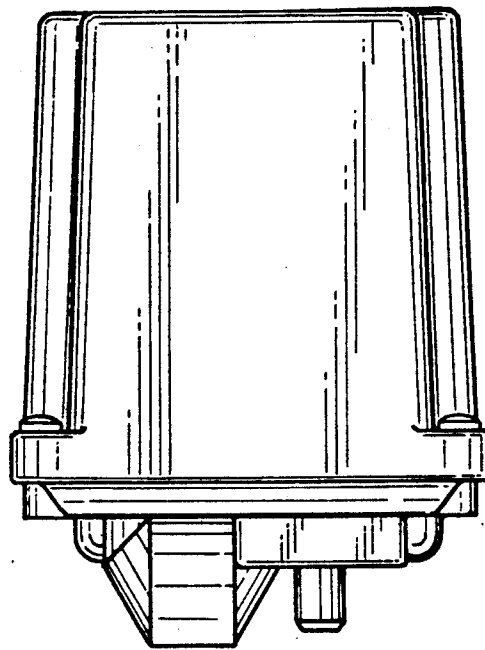


FIG. 5

