



(51) International Patent Classification:

F16H 25/22 (2006.01) A62B 3/00 (2006.01)
B23D 17/04 (2006.01) B23D 29/00 (2006.01)

(21) International Application Number:

PCT/NL2016/050386

(22) International Filing Date:

27 May 2016 (27.05.2016)

(25) Filing Language:

Dutch

(26) Publication Language:

English

(30) Priority Data:

2014868 27 May 2015 (27.05.2015) NL

(71) Applicant: JPM BEHEER B.V. [NL/NL]; Meer en Duin
82, 2163 HC Lisse (NL).

(72) Inventors: MAARSCHALK, Jan-Pieter; Olympiaplein
115-3, 1077 CV Amsterdam (NL). MOLLEMA, Sebastiaan;
Petemoederslaan 12, 3551 AH Utrecht (NL). BAAS, Fred;
Winterpark 58, 2152 HA Nieuw-Vennep (NL).

(74) Agent: JILDERDA, Anne Ayolt; P.O. Box 97, 5700 AB
Helmond (NL).

(81) Designated States (unless otherwise indicated, for every
kind of national protection available): AE, AG, AL, AM,
AO, AT, AU, AZ, BA, BB, BG, BH, BN, BR, BW, BY,

BZ, CA, CH, CL, CN, CO, CR, CU, CZ, DE, DK, DM,
DO, DZ, EC, EE, EG, ES, FI, GB, GD, GE, GH, GM, GT,
HN, HR, HU, ID, IL, IN, IR, IS, JP, KE, KG, KN, KP, KR,
KZ, LA, LC, LK, LR, LS, LU, LY, MA, MD, ME, MG,
MK, MN, MW, MX, MY, MZ, NA, NG, NI, NO, NZ, OM,
PA, PE, PG, PH, PL, PT, QA, RO, RS, RU, RW, SA, SC,
SD, SE, SG, SK, SL, SM, ST, SV, SY, TH, TJ, TM, TN,
TR, TT, TZ, UA, UG, US, UZ, VC, VN, ZA, ZM, ZW.

(84) Designated States (unless otherwise indicated, for every
kind of regional protection available): ARIPO (BW, GH,
GM, KE, LR, LS, MW, MZ, NA, RW, SD, SL, ST, SZ,
TZ, UG, ZM, ZW), Eurasian (AM, AZ, BY, KG, KZ, RU,
TJ, TM), European (AL, AT, BE, BG, CH, CY, CZ, DE,
DK, EE, ES, FI, FR, GB, GR, HR, HU, IE, IS, IT, LT, LU,
LV, MC, MK, MT, NL, NO, PL, PT, RO, RS, SE, SI, SK,
SM, TR), OAPI (BF, BJ, CF, CG, CI, CM, GA, GN, GQ,
GW, KM, ML, MR, NE, SN, TD, TG).

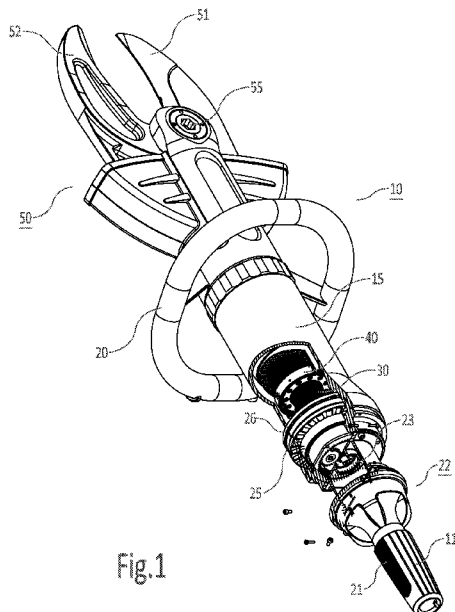
Published:

- with international search report (Art. 21(3))
- before the expiration of the time limit for amending the
claims and to be republished in the event of receipt of
amendments (Rule 48.2(h))

(88) Date of publication of the international search report:

12 January 2017

(54) Title: RESCUE TOOL



(57) Abstract: A rescue tool (10) comprises a drive system which is provided inside a housing and which is configured and suitable for actuating a linear displacement of an implement drive member. The drive system is connected for axial rotation to a rotation shaft of an energizable drive source (22), wherein the rotation shaft of the energizable drive source (22) is coupled for force transmission to an axially rotatable spindle (30). The spindle (30) is coupled rotatably to the housing (15) by means of an axial bearing assembly (25, 26) and the drive body (40) is coupled for force transmission to the spindle (30) and to the implement drive member. The drive body is configured and suitable for converting an axial rotation of the spindle (30) to a linear translation of its own.



INTERNATIONAL SEARCH REPORT

International application No
PCT/NL2016/050386

A. CLASSIFICATION OF SUBJECT MATTER
 INV. F16H25/22 B23D17/04 A62B3/00 B23D29/00
 ADD.
 According to International Patent Classification (IPC) or to both national classification and IPC

B. FIELDS SEARCHED
 Minimum documentation searched (classification system followed by classification symbols)
 F16H B23D A62B B25B

Documentation searched other than minimum documentation to the extent that such documents are included in the fields searched

Electronic data base consulted during the international search (name of data base and, where practicable, search terms used)
 EPO-Internal

C. DOCUMENTS CONSIDERED TO BE RELEVANT

Category*	Citation of document, with indication, where appropriate, of the relevant passages	Relevant to claim No.
X	WO 2014/009363 A1 (KLAUKE GMBH GUSTAV [DE]) 16 January 2014 (2014-01-16) abstract page 17, line 10 - line 15 page 19, line 11 - line 15 page 20, line 4 - line 8 page 22, line 16 - page 23, line 6 page 25, line 18 - line 25 page 26, line 27 - line 30 page 28, line 15 - line 23 figures ----- -/--	1-18

Further documents are listed in the continuation of Box C.

See patent family annex.

* Special categories of cited documents :

- "A" document defining the general state of the art which is not considered to be of particular relevance
- "E" earlier application or patent but published on or after the international filing date
- "L" document which may throw doubts on priority claim(s) or which is cited to establish the publication date of another citation or other special reason (as specified)
- "O" document referring to an oral disclosure, use, exhibition or other means
- "P" document published prior to the international filing date but later than the priority date claimed

- "T" later document published after the international filing date or priority date and not in conflict with the application but cited to understand the principle or theory underlying the invention
- "X" document of particular relevance; the claimed invention cannot be considered novel or cannot be considered to involve an inventive step when the document is taken alone
- "Y" document of particular relevance; the claimed invention cannot be considered to involve an inventive step when the document is combined with one or more other such documents, such combination being obvious to a person skilled in the art
- "&" document member of the same patent family

Date of the actual completion of the international search 9 November 2016	Date of mailing of the international search report 21/11/2016
---	---

Name and mailing address of the ISA/ European Patent Office, P.B. 5818 Patentlaan 2 NL - 2280 HV Rijswijk Tel. (+31-70) 340-2040, Fax: (+31-70) 340-3016	Authorized officer Hamel, Pascal
--	--

INTERNATIONAL SEARCH REPORT

International application No
PCT/NL2016/050386

C(Continuation). DOCUMENTS CONSIDERED TO BE RELEVANT		
Category*	Citation of document, with indication, where appropriate, of the relevant passages	Relevant to claim No.
X,P	WO 2016/077389 A1 (CREATIVE MOTION CONTROL INC [US]; LAWLOR SHAWN [US]; CORNELIUS CHARLES) 19 May 2016 (2016-05-19) abstract page 2, line 26 - line 27 page 3, line 18 - line 27 page 4, line 5 - line 25 page 5, line 29 - page 6, line 9 page 6, line 17 page 7, line 25 page 8, line 16 - page 9, line 7 page 10, line 29 - page 11, line 16 figures	1,2, 8-13,16, 18
A,P	----- US 2015/283714 A1 (SANDEFUR TERRY [US]) 8 October 2015 (2015-10-08) abstract figure 2	6
A	----- US 2 341 494 A (WILLIAMSON LARKIN R) 8 February 1944 (1944-02-08) figures page 1, line 6 - line 7 page 2, line 5 - line 7 claims -----	14,15

INTERNATIONAL SEARCH REPORT

Information on patent family members

International application No

PCT/NL2016/050386

Patent document cited in search report	Publication date	Patent family member(s)	Publication date
WO 2014009363	A1	16-01-2014	
		AU 2013289255	A1 29-01-2015
		CA 2877806	A1 16-01-2014
		CN 104540644	A 22-04-2015
		DE 102013107217	A1 16-01-2014
		EP 2872293	A1 20-05-2015
		KR 20150038034	A 08-04-2015
		RU 2015104266	A 27-08-2016
		US 2015251256	A1 10-09-2015
		WO 2014009363	A1 16-01-2014

WO 2016077389	A1	19-05-2016	NONE

US 2015283714	A1	08-10-2015	NONE

US 2341494	A	08-02-1944	NONE
