



US00D604697S

(12) **United States Design Patent**
Sogo et al.

(10) **Patent No.:** **US D604,697 S**

(45) **Date of Patent:** **** Nov. 24, 2009**

(54) **ELECTRIC CONNECTOR WITH CABLE**

(75) Inventors: **Taizo Sogo**, Tokyo (JP); **Takayuki Arai**,
Tokyo (JP); **Takeshi Sato**, Tokyo (JP);
Taku Kawano, Tokyo (JP)

(73) Assignee: **Honda Tsushin Kogyo Co., Ltd.**, Tokyo
(JP)

(**) Term: **14 Years**

(21) Appl. No.: **29/325,451**

(22) Filed: **Oct. 1, 2008**

(30) **Foreign Application Priority Data**

May 7, 2008 (JP) 2008-011371

(51) **LOC (9) Cl.** **13-03**

(52) **U.S. Cl.** **D13/133**

(58) **Field of Classification Search** D13/133,
D13/146, 147, 184, 199; 439/607, 608, 609,
439/610, 660, 668, 677, 680, 540.1, 541.5,
439/159

See application file for complete search history.

(56) **References Cited**

U.S. PATENT DOCUMENTS

D342,054 S * 12/1993 Woodman D13/146
D356,295 S * 3/1995 Shoda et al. D13/146

D429,693 S * 8/2000 Hwang D13/147
D491,147 S * 6/2004 Ji D13/147
D520,456 S * 5/2006 Kuo D13/147
D544,446 S * 6/2007 Yang et al. D13/147
D575,237 S * 8/2008 Shiga et al. D13/151
D585,025 S * 1/2009 Kudo D13/133
D594,414 S * 6/2009 Ogata et al. D13/133
2004/0242032 A1 * 12/2004 Liu et al. 439/79

* cited by examiner

Primary Examiner—Daniel D Bui

Assistant Examiner—Thomas J Johannes

(74) *Attorney, Agent, or Firm*—Wenderoth, Lind & Ponack,
L.L.P.

(57) **CLAIM**

The ornamental design for an electric connector with cable, as shown and described.

DESCRIPTION

FIG. 1 is a top, front and right side perspective view of the electric connector with cable showing our new design;

FIG. 2 is a front elevational view thereof;

FIG. 3 is a rear elevational view thereof

FIG. 4 is a right side elevational view thereof;

FIG. 5 is a top plan view thereof; and,

FIG. 6 is a bottom plan view thereof.

1 Claim, 2 Drawing Sheets

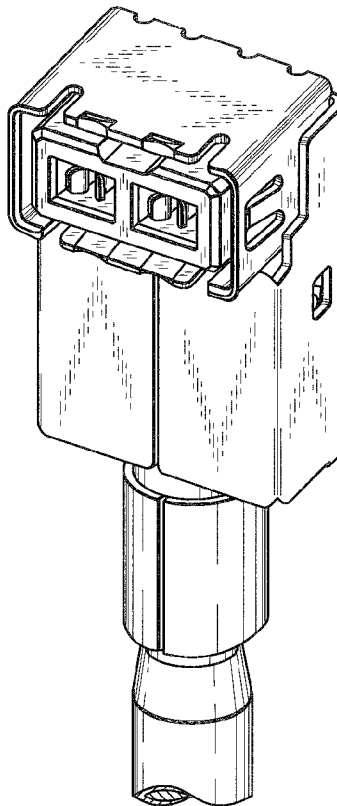


Fig. 1

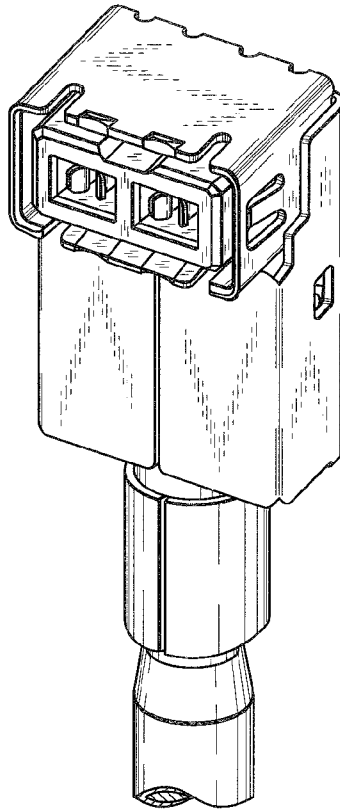


Fig. 2

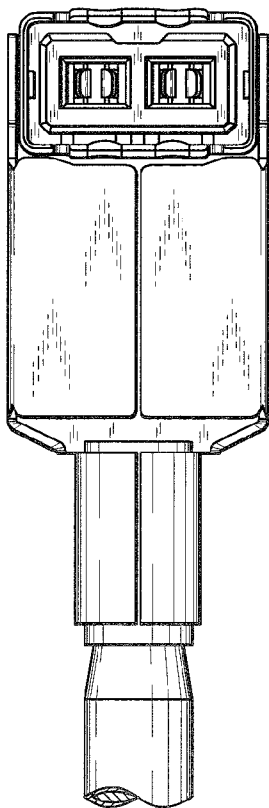


Fig. 3

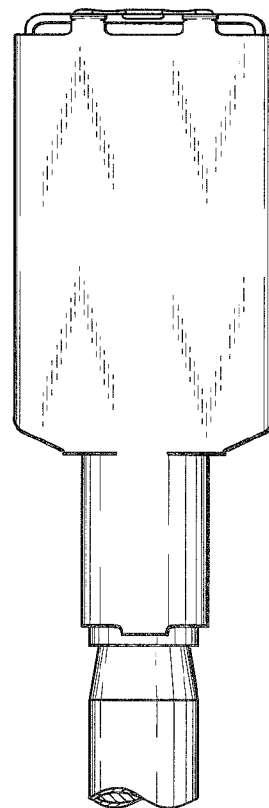


Fig. 4

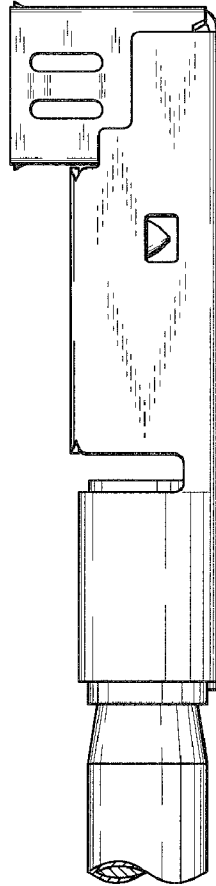


Fig. 5

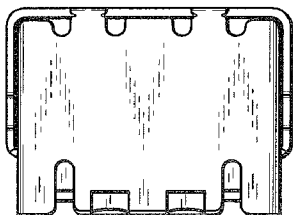


Fig. 6

