



US00D702809S

(12) **United States Design Patent**  
**Restive**

(10) **Patent No.:** **US D702,809 S**

(45) **Date of Patent:** **\*\* Apr. 15, 2014**

(54) **SPRAYER NOZZLE**

(71) Applicant: **The Fountainhead Group, Inc.**, New York Mills, NY (US)

(72) Inventor: **Mario J. Restive**, Frankfort, NY (US)

(73) Assignee: **The Fountainhead Group, Inc.**, New York Mills, NY (US)

(\*\*) Term: **14 Years**

(21) Appl. No.: **29/445,471**

(22) Filed: **Feb. 12, 2013**

(51) **LOC (10) Cl.** ..... **23-01**

(52) **U.S. Cl.**  
USPC ..... **D23/213**

(58) **Field of Classification Search**  
USPC ..... D23/223, 213, 226, 225; 239/526, 532,  
239/459, 302, 310

See application file for complete search history.

(56) **References Cited**

U.S. PATENT DOCUMENTS

5,813,087	A *	9/1998	Huffman	.....	15/321
5,848,733	A *	12/1998	Foster et al.	.....	222/153.13
7,222,802	B2 *	5/2007	Sweeton	.....	239/304
7,780,098	B2 *	8/2010	Foster et al.	.....	239/394
D674,043	S *	1/2013	Smith	.....	D23/213

\* cited by examiner

*Primary Examiner* — Robin V Webster

(74) *Attorney, Agent, or Firm* — George R. McGuire; Bond Schoeneck & King, PLLC

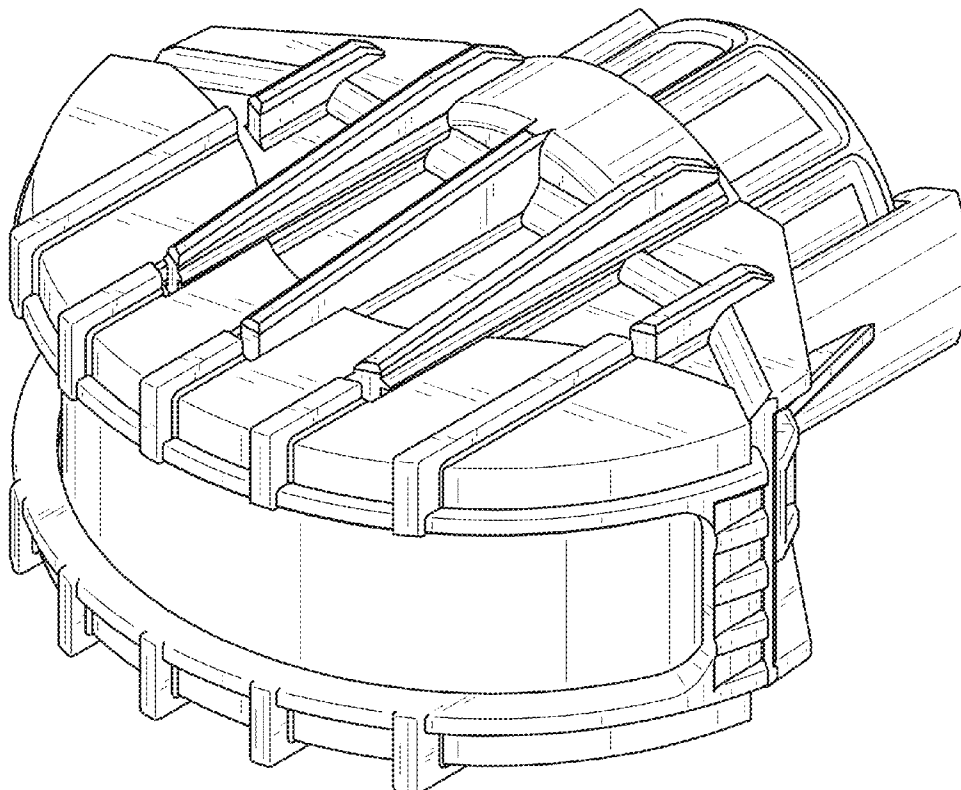
(57) **CLAIM**

The ornamental design for a sprayer nozzle, as shown and described.

**DESCRIPTION**

FIG. 1 is a front perspective view of a spray nozzle;  
FIG. 2 is a front elevation view thereof;  
FIG. 3 is a rear elevation view thereof;  
FIG. 4 is a first side elevation view thereof;  
FIG. 5 is a second side elevation view thereof;  
FIG. 6 is a top plan view thereof;  
FIG. 7 is a bottom plan view thereof; and,  
FIG. 8 is a rear perspective view thereof.

**1 Claim, 8 Drawing Sheets**



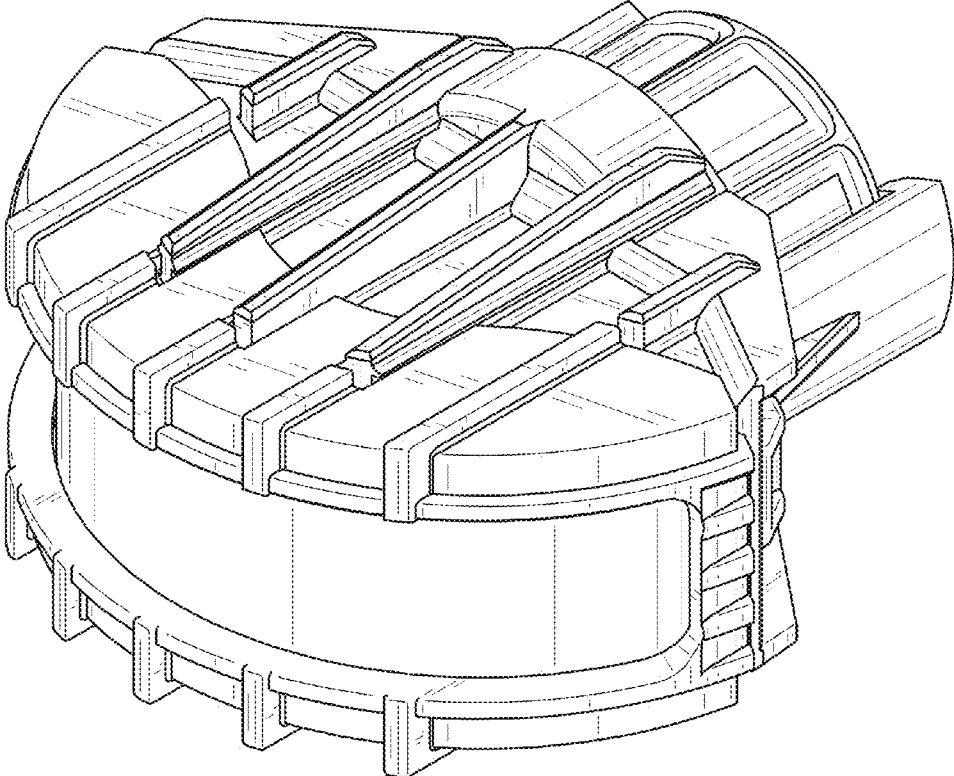


FIG. 1

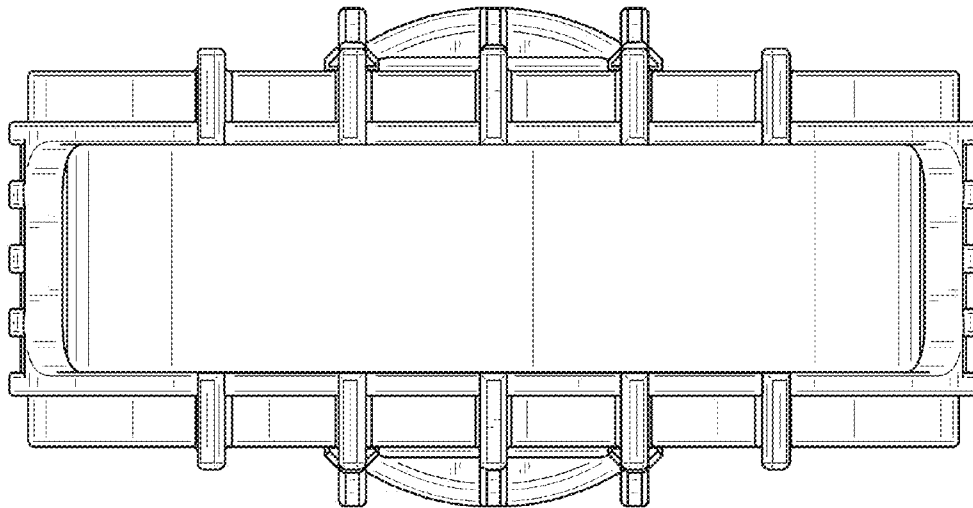


FIG. 2

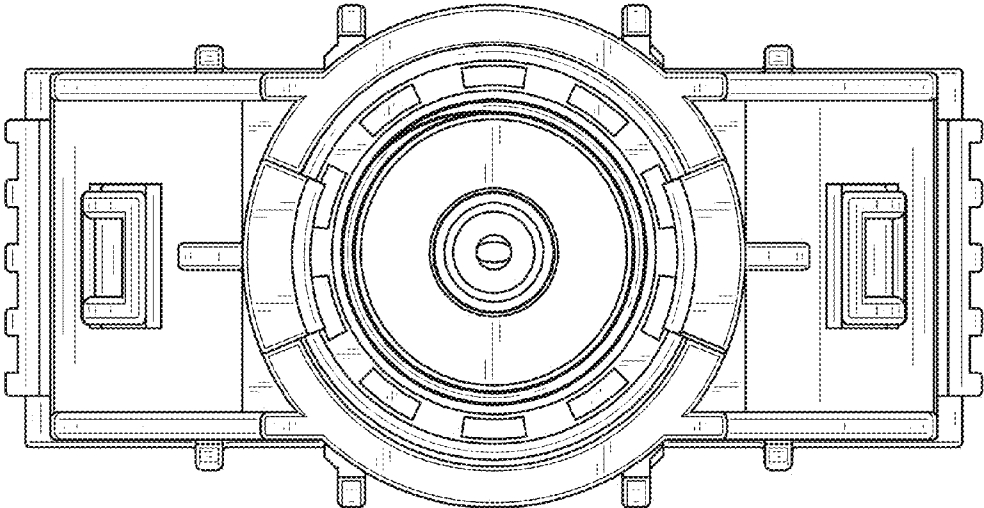


FIG. 3

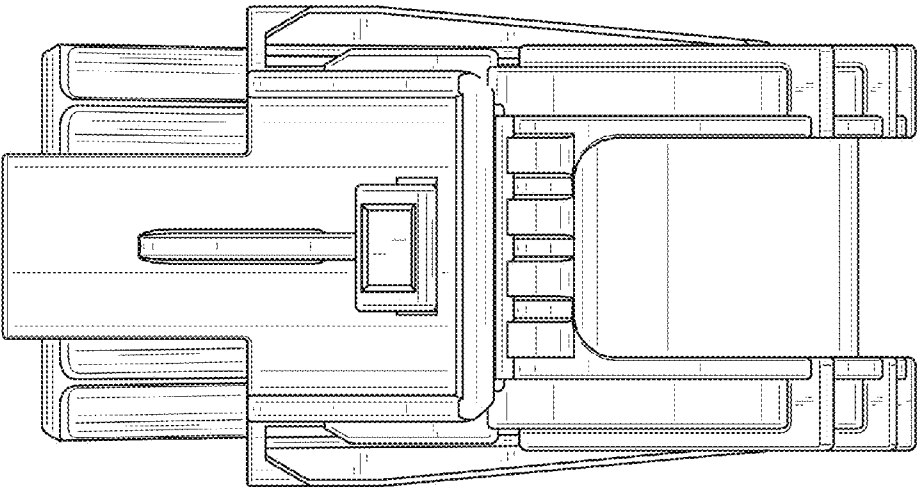


FIG. 4

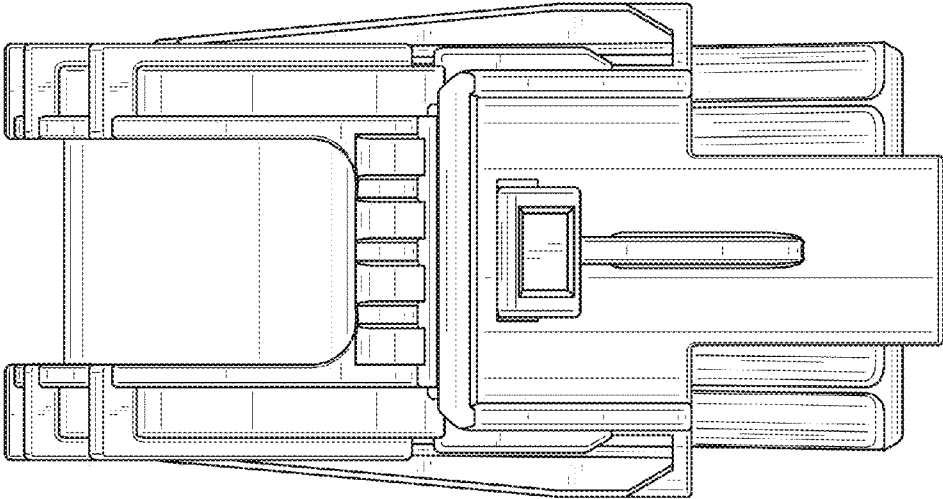


FIG. 5

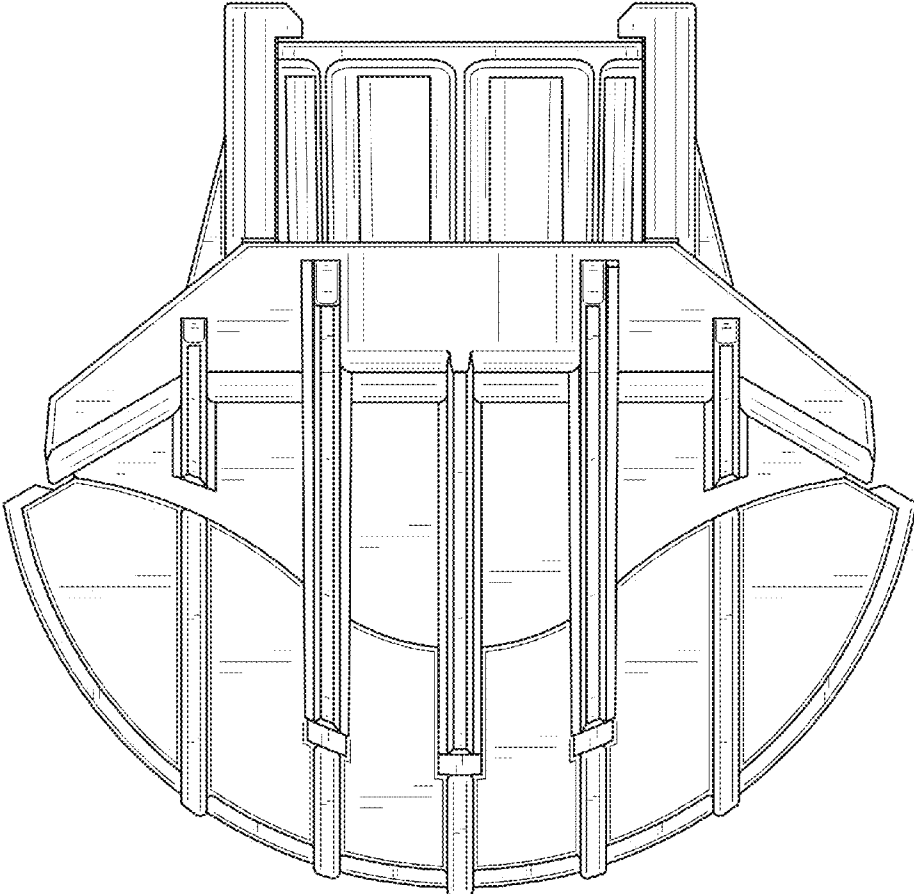


FIG. 6

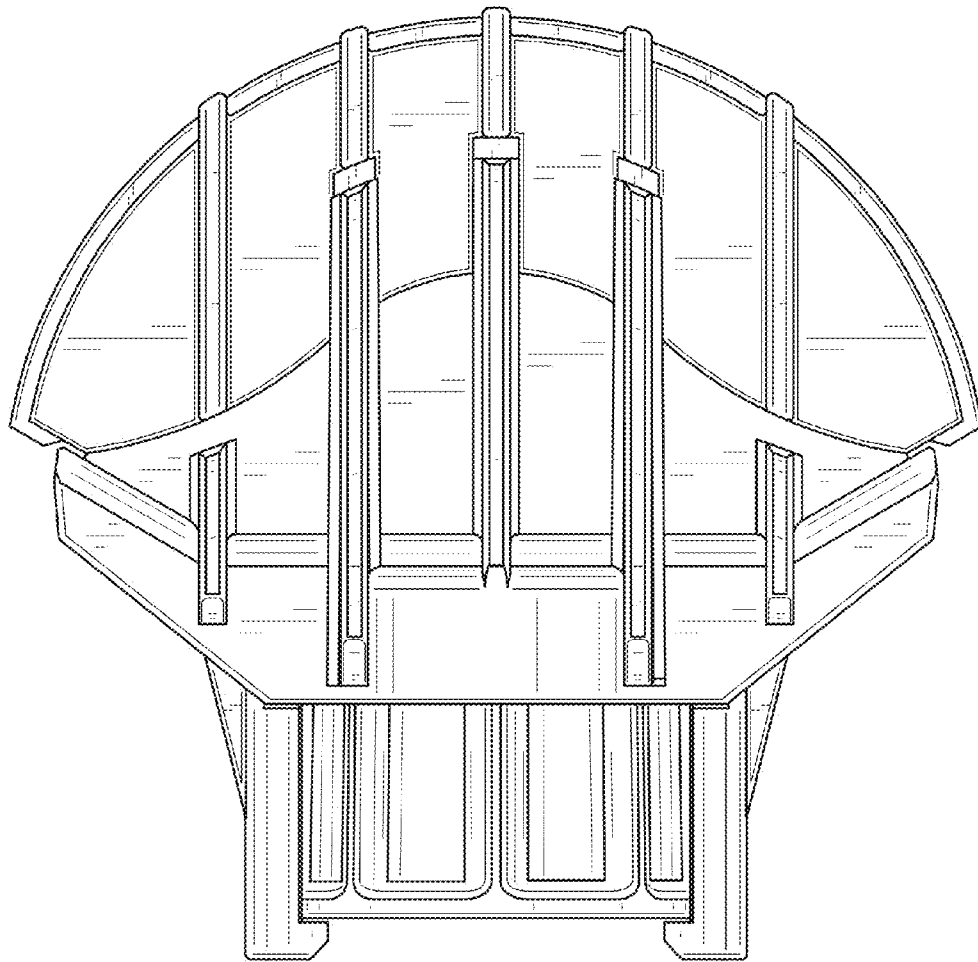


FIG. 7



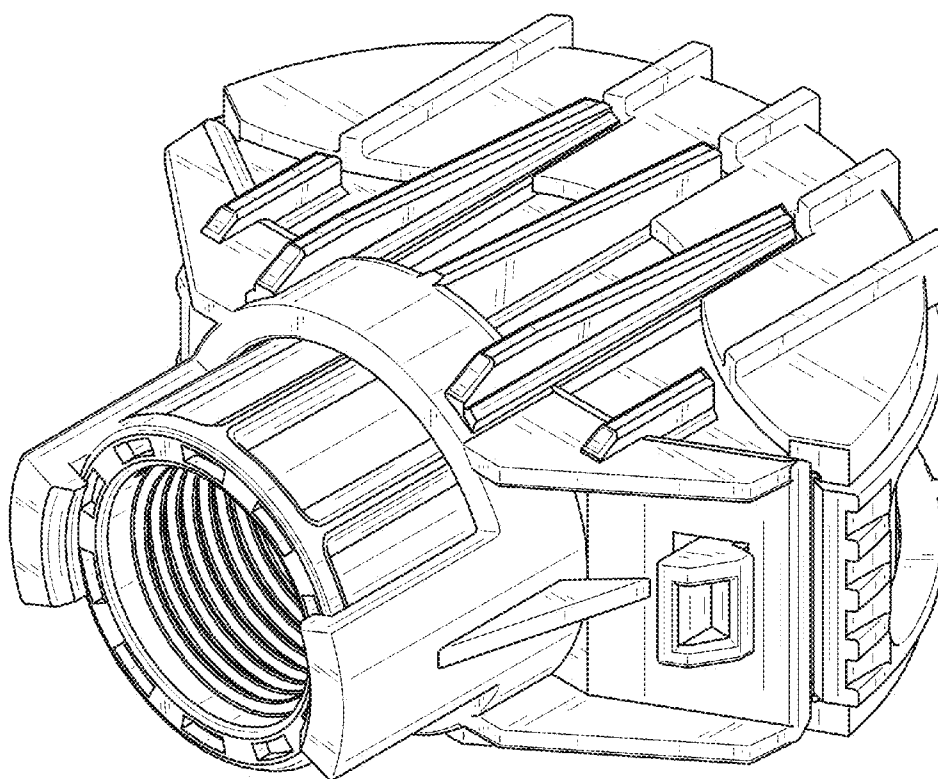


FIG. 8