



US00D975092S

(12) **United States Design Patent**  
**Tong**

(10) **Patent No.:** **US D975,092 S**

(45) **Date of Patent:** **\*\* Jan. 10, 2023**

(54) **KEYBOARD**

(71) Applicant: **RAZER (ASIA-PACIFIC) PTE. LTD.**,  
Singapore (SG)

(72) Inventor: **Ien Yu Tong**, Johor (MY)

(73) Assignee: **Razer (Asia-Pacific) Pte. Ltd.**,  
Singapore (SG)

(\*\*) Term: **15 Years**

(21) Appl. No.: **29/676,851**

(22) Filed: **Jan. 15, 2019**

(51) **LOC (14) Cl.** ..... **14-02**

(52) **U.S. Cl.**  
USPC ..... **D14/392**

(58) **Field of Classification Search**  
USPC ..... D14/247, 315–327, 331–333, 338,  
D14/345–347, 387, 390–401, 406, 429,  
(Continued)

(56) **References Cited**

**U.S. PATENT DOCUMENTS**

D314,205 S \* 1/1991 Lang ..... 400/489  
D333,300 S \* 2/1993 Hatcher ..... D6/675.3  
(Continued)

**FOREIGN PATENT DOCUMENTS**

CN 303032334 \* 12/2014  
CN 303520483 \* 12/2015  
(Continued)

**OTHER PUBLICATIONS**

Turret for Xbox One Keyboard, Razer, razer.com, author unlisted,  
published on Aug. 4, 2020 per wayback machine © 2021 Razer,

Inc., online, site visited May 7, 2021. Available at URL: <https://www.razer.com/gaming-keyboards/Razer-Turret-for-Xbox-One/RZ84-02820200-B3U1> (Year: 2020).\*

(Continued)

*Primary Examiner* — Holly E Thurman

*Assistant Examiner* — Altaira J Swangin

(74) *Attorney, Agent, or Firm* — Polsinelli PC

(57) **CLAIM**

I claim the ornamental design for a keyboard, as shown and described.

**DESCRIPTION**

FIG. 1 is a perspective view of a first embodiment of a keyboard, showing my new design;

FIG. 2 is a front elevational view thereof;

FIG. 3 is a rear elevational view thereof;

FIG. 4 is a right side elevational view thereof;

FIG. 5 is a left side elevational view thereof;

FIG. 6 is a top plan view thereof; and

FIG. 7 is a bottom plan view thereof.

FIG. 8 is a perspective view of a second embodiment of a keyboard;

FIG. 9 is a front elevational view thereof;

FIG. 10 is a rear elevational view thereof;

FIG. 11 is a right side elevational view thereof;

FIG. 12 is a left side elevational view thereof;

FIG. 13 is a top plan view thereof; and

FIG. 14 is a bottom plan view thereof.

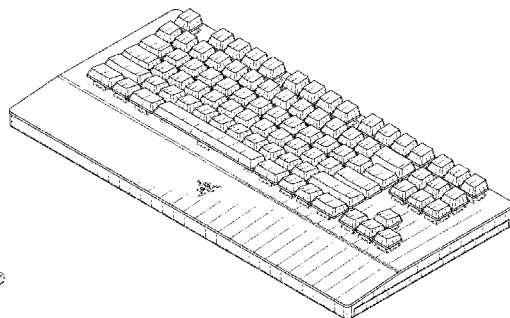
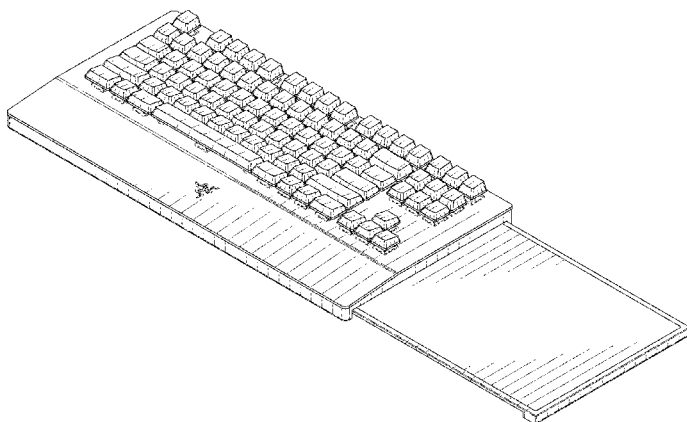
FIG. 15 is a perspective view of a third embodiment of a keyboard in a first configuration, showing the integrated mouse pad in a fully extended position;

FIG. 16 is a perspective view thereof in a second configuration, showing the integrated mouse pad in a partially retracted position; and,

FIG. 17 is a perspective view thereof in a third configuration, showing the integrated mouse pad in a fully retracted position.

Broken lines are for illustrating portions of the keyboard which form no part of the claimed design.

**1 Claim, 11 Drawing Sheets**



(58) **Field of Classification Search**

USPC ..... D14/455-457, 460-461; D18/1-2,  
D18/4.1-4.6, 7, 11, 12.2, 52; D21/324,  
D21/409; D13/102  
CPC ..... B41J 5/00; B41J 5/10; B41J 5/12; G06F  
3/021; G06F 3/0216; G06F 3/0219; G06F  
3/02

See application file for complete search history.

(56) **References Cited**

U.S. PATENT DOCUMENTS

5,433,407 A \* 7/1995 Rice ..... A47B 21/0371  
248/118.1  
D364,290 S 11/1995 Watts  
D380,462 S \* 7/1997 Wilson ..... D14/458  
5,655,743 A 8/1997 Gillis  
D392,955 S 3/1998 Wilson  
D398,294 S \* 9/1998 Wilson ..... D14/458  
5,901,934 A 5/1999 Wilson  
6,003,446 A 12/1999 Leibowitz  
D423,482 S \* 4/2000 Eddins ..... D14/458  
6,234,085 B1 5/2001 Ramundo  
D451,100 S 11/2001 Brillhart et al.  
6,396,483 B1 5/2002 Hiller  
6,798,399 B2 \* 9/2004 Hatanaka ..... G06F 3/0395  
400/714  
D579,450 S 10/2008 Ozolins et al.  
D630,452 S 1/2011 Robbins et al.  
8,310,823 B2 \* 11/2012 Stoltz ..... G06F 1/169  
361/679.16  
D695,740 S \* 12/2013 Yakel ..... D14/392  
D720,749 S \* 1/2015 He ..... D14/392  
D740,824 S \* 10/2015 Zou ..... D14/392  
D748,633 S \* 2/2016 Yang ..... D14/392  
D758,377 S \* 6/2016 Warren ..... D14/457  
D760,227 S \* 6/2016 Warren ..... D14/392  
D778,281 S \* 2/2017 Rodrigues ..... D14/392  
D807,885 S \* 1/2018 Pang ..... D14/392  
D811,399 S \* 2/2018 Ca ..... D14/396  
D830,360 S \* 10/2018 Jin ..... D14/392  
D881,190 S \* 4/2020 Tong ..... D14/392  
D882,571 S \* 4/2020 Tong ..... D14/392  
D890,755 S \* 7/2020 Tong ..... D14/392  
10,884,516 B2 \* 1/2021 Grey ..... G06F 3/03547  
D928,785 S \* 8/2021 Tong ..... D14/392  
D934,248 S \* 10/2021 Tong ..... D14/392  
D951,942 S \* 5/2022 Tong ..... D14/392  
2008/0252605 A1 \* 10/2008 Muyskens ..... G06F 3/0238  
345/172  
2009/0002320 A1 \* 1/2009 Karmazyn ..... G06F 3/0221  
345/168

2009/0115732 A1 \* 5/2009 Tao ..... G06F 3/021  
345/168  
2010/0127143 A1 \* 5/2010 Karmazyn ..... A47B 21/0314  
248/224.8  
2014/0368455 A1 \* 12/2014 Croissonnier ..... G06F 3/045  
345/173  
2015/0029404 A1 \* 1/2015 Lin ..... H04N 21/42212  
348/734  
2015/0253815 A1 \* 9/2015 Hosoya ..... G06F 3/0227  
361/679.1  
2018/0132365 A1 \* 5/2018 Vroom ..... G06F 3/0213  
2019/0227645 A1 \* 7/2019 Grey ..... G06F 3/038  
2020/0348763 A1 \* 11/2020 Jian ..... G06F 3/165  
2021/0055639 A1 \* 2/2021 Jiang ..... H01H 13/86

FOREIGN PATENT DOCUMENTS

CN 304737200 \* 7/2018  
CN 305427165 \* 11/2019  
CN 305433661 \* 11/2019  
CN 305973319 8/2020  
CN 306824814 9/2021  
GB 6121980 3/2021  
GB 6122000 3/2021  
KR 300621669.0000 \* 11/2011  
KR 300660579.0000 \* 9/2012

OTHER PUBLICATIONS

Ergonomic Tray, AFC Industries, [afcindustries.com](http://afcindustries.com), published by AFC on Oct. 6, 2014 per wayback machine ©2021 [afcindustries.com](http://afcindustries.com), online, site visited Sep. 1, 2021. Available at URL: <https://www.afcindustries.com/stylish-keyboard-tray-with-retractable-mouse-tray-p86> (Year: 2014).\*

BlackWidow V3 Tenkeyless & Ergonomic Wrist Rest Keyboard, Razer, [razer.com](http://razer.com), author unlisted, published on Oct. 15, 2021 per wayback machine © 2021 Razer, Inc., online, site visited Nov. 23, 2021. Available at URL: <https://www.razer.com/gaming/keyboards/accessories/razer-ergonomic-wrist-rest-pro> (Year: 2021).

Turret Wireless Mechanical Gaming Keyboard, Razer, [amazon.com](http://amazon.com), published by Razer, first available on Jun. 19, 2019 © 1996-2021 Amazon.com, Inc., online, site visited Nov. 23, 2021. Available at URL: <https://www.amazon.com/Razer-Turret-Wireless-Mechanical-Keyboards/dp/B07OXLC24V> (Year: 2019).

Lapdog Gaming Control Center, Corsair, [techspot.com](http://techspot.com), published by Steven Walton on May 25, 2016 © 2021 TechSpot, Inc., online, site visited Nov. 23, 2021. Available at URL: <https://www.techspot.com/review/1178-corsair-lapdog/> (Year: 2016).

\* cited by examiner

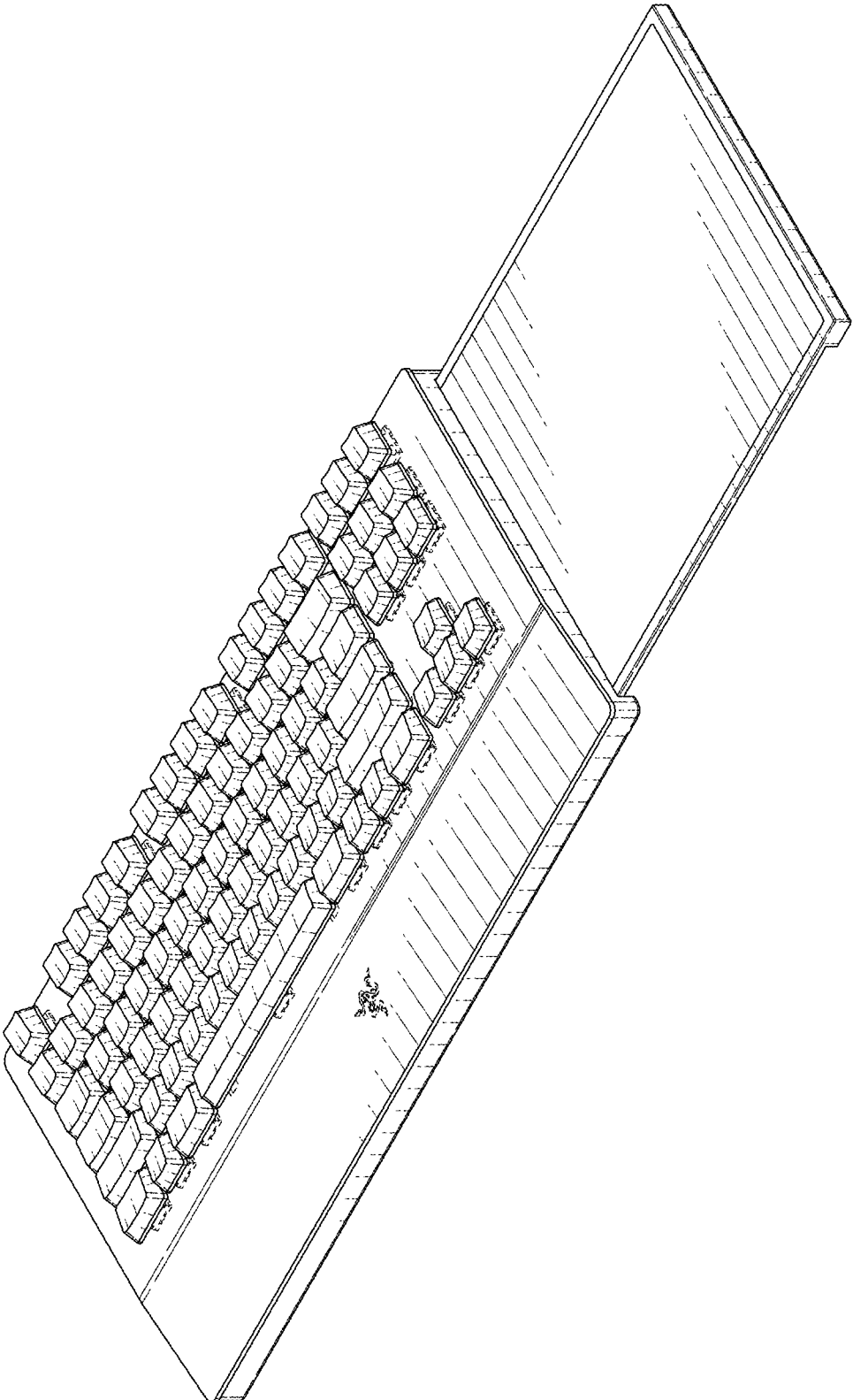


FIG. 1

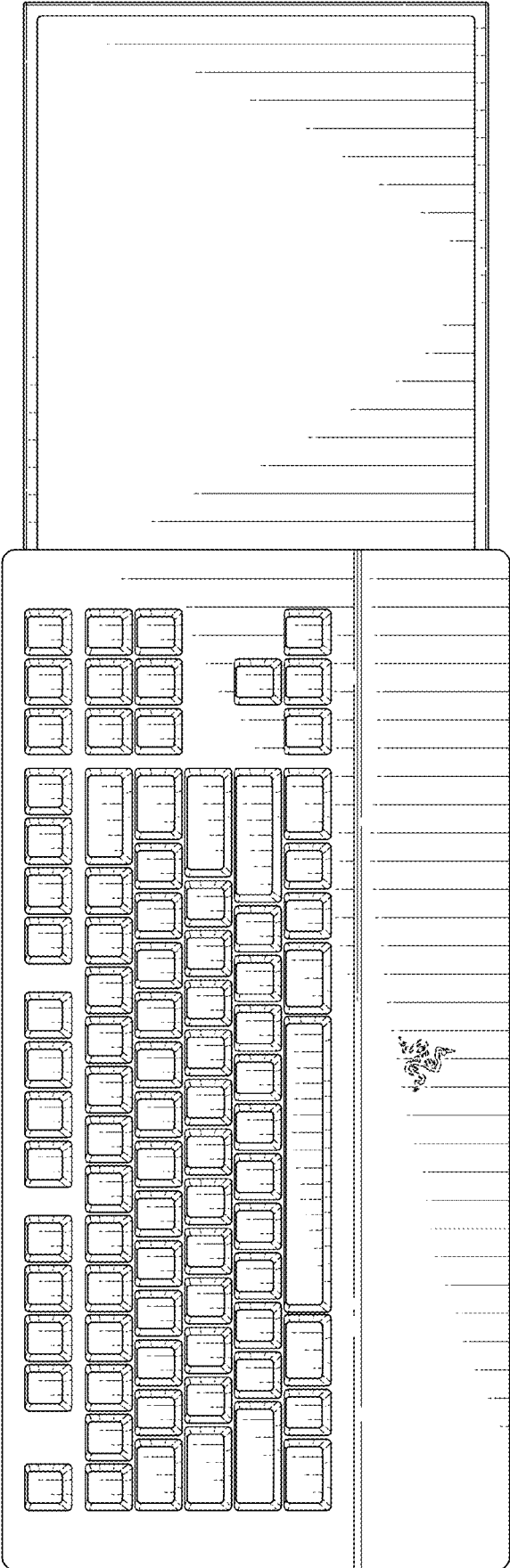


FIG. 2

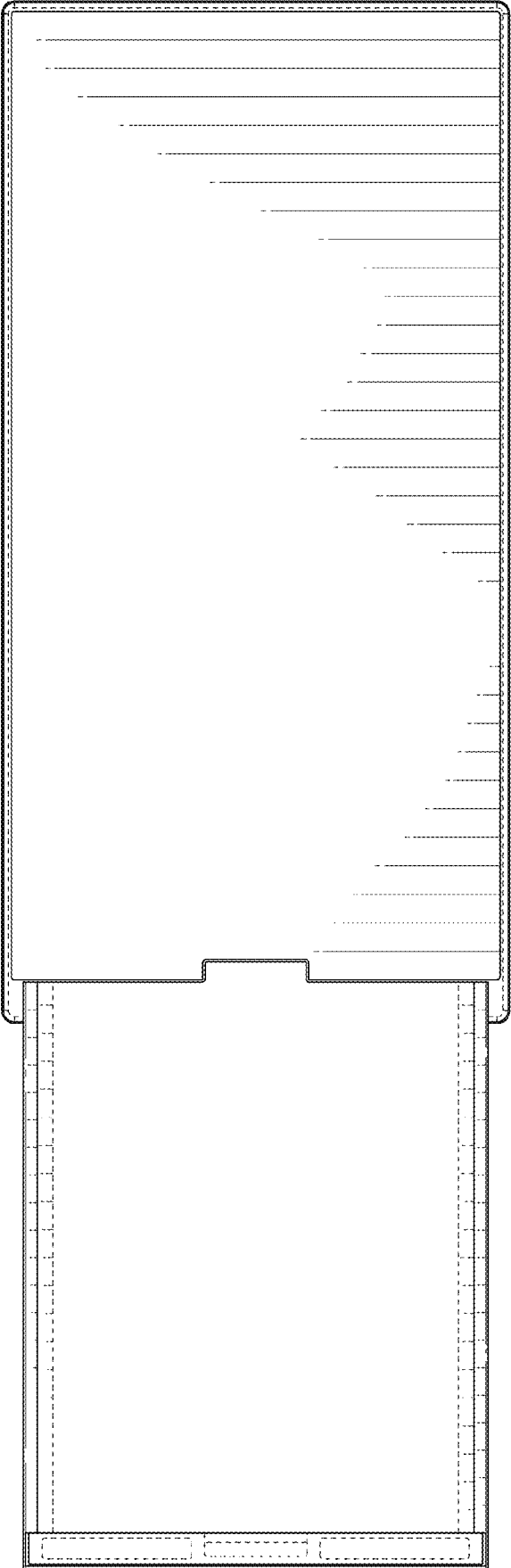


FIG. 3

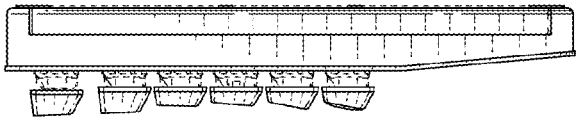


FIG. 4

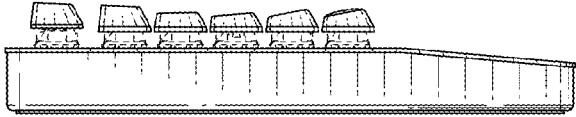


FIG. 5

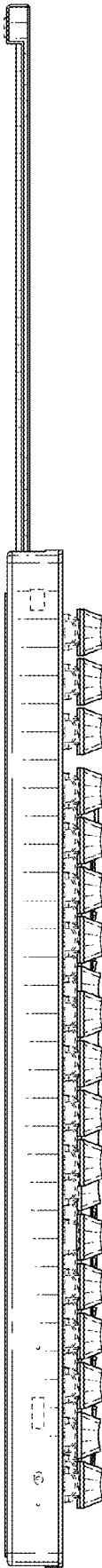


FIG. 6

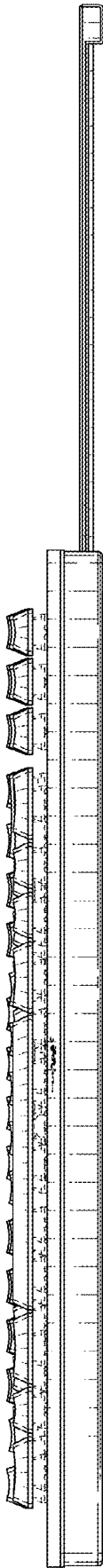


FIG. 7

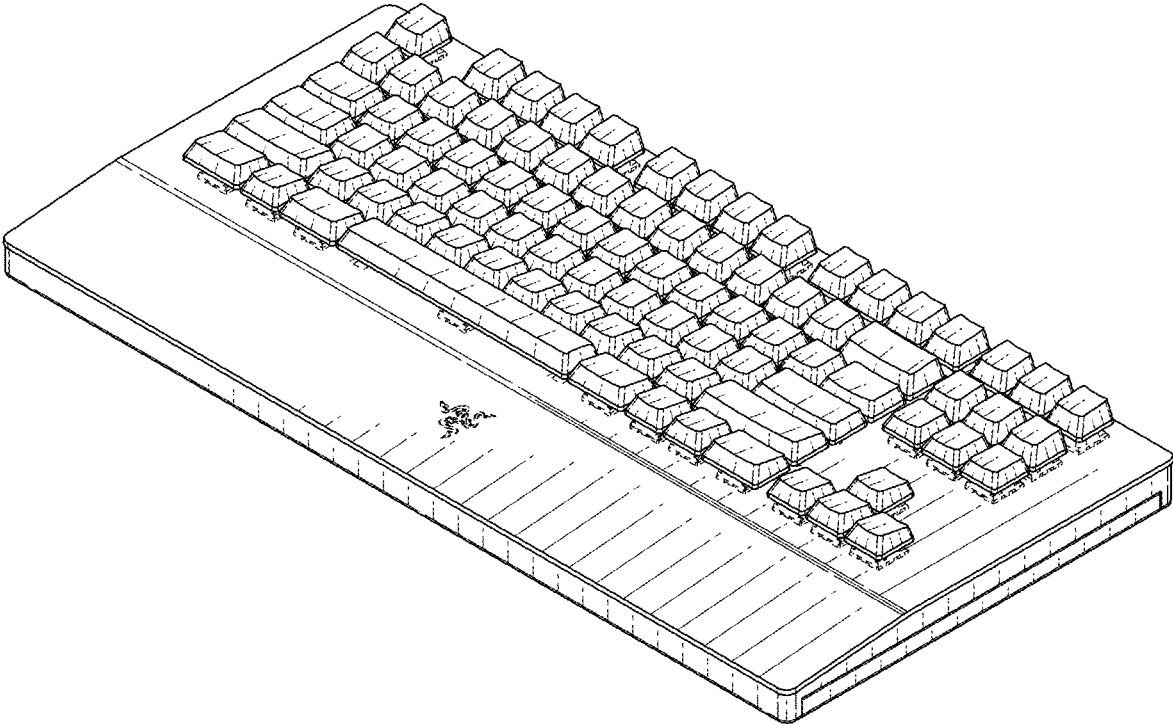


FIG. 8

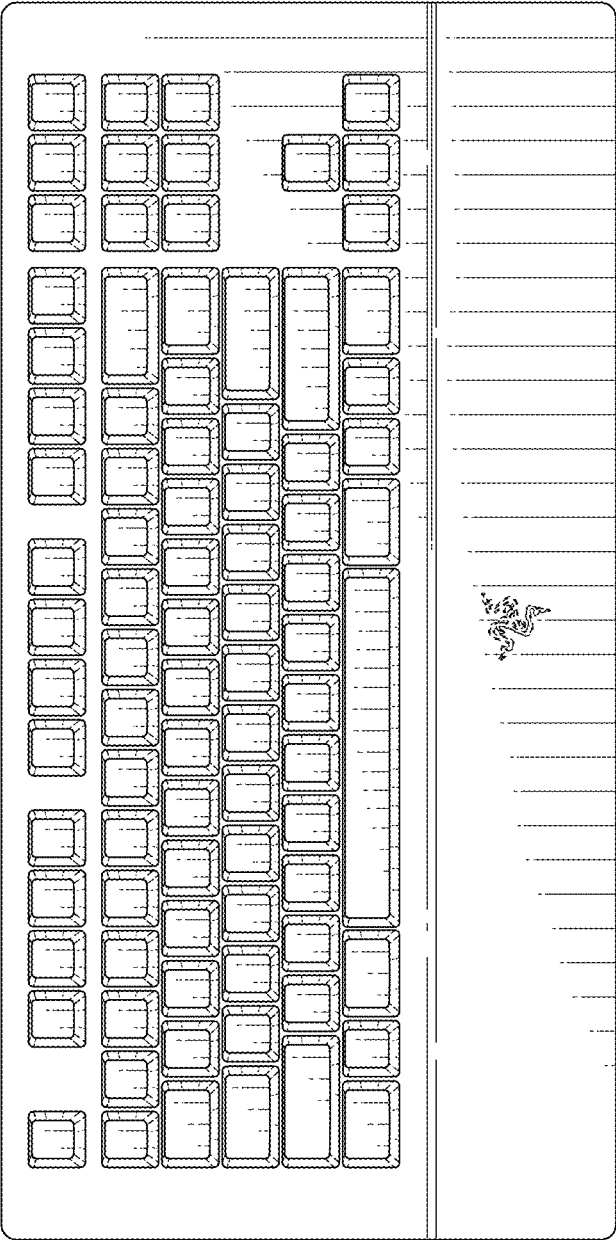


FIG. 9



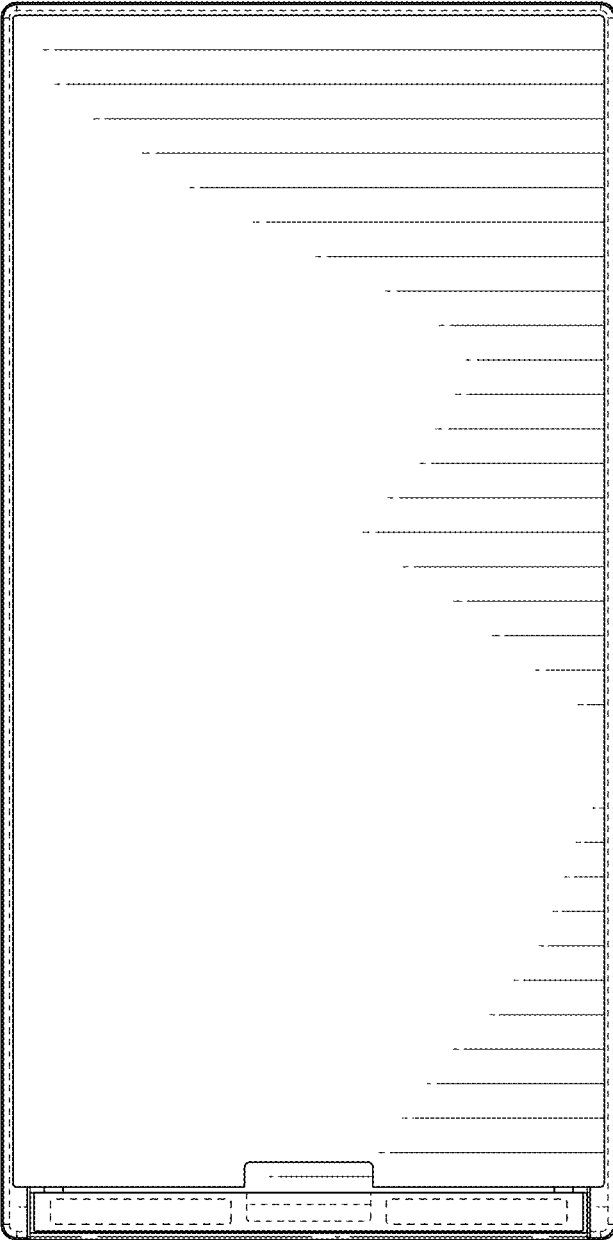


FIG. 10

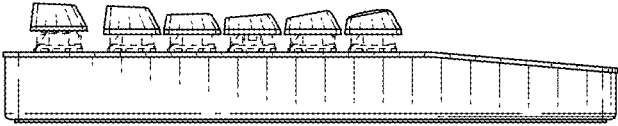


FIG. 11

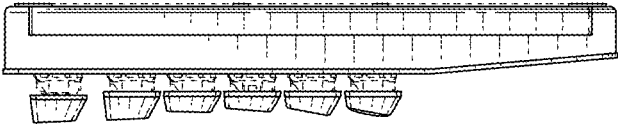


FIG. 12

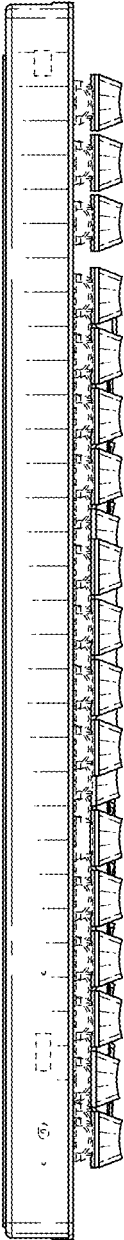


FIG. 13

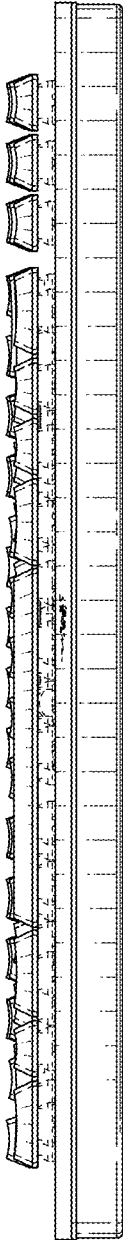


FIG. 14

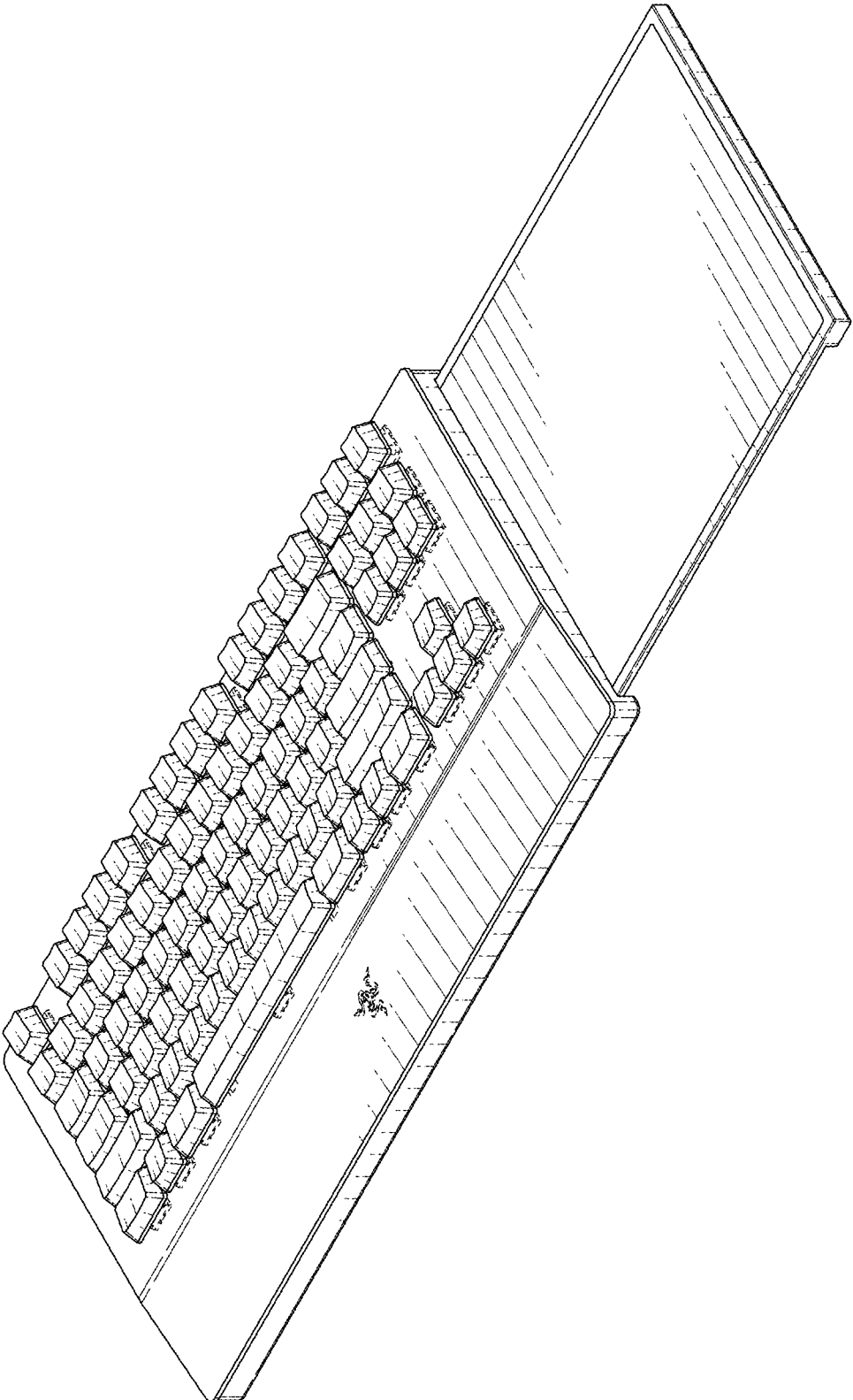


FIG. 15

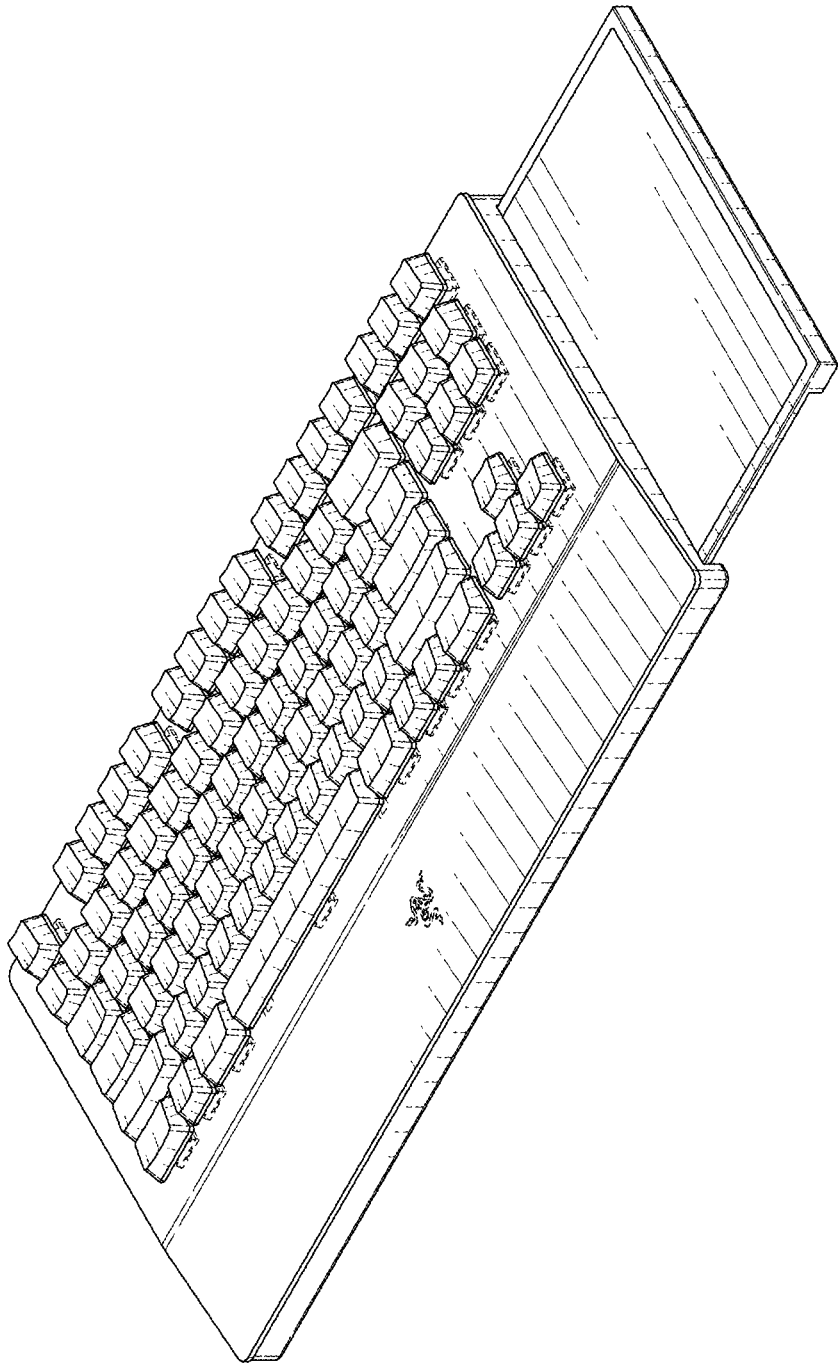


FIG. 16

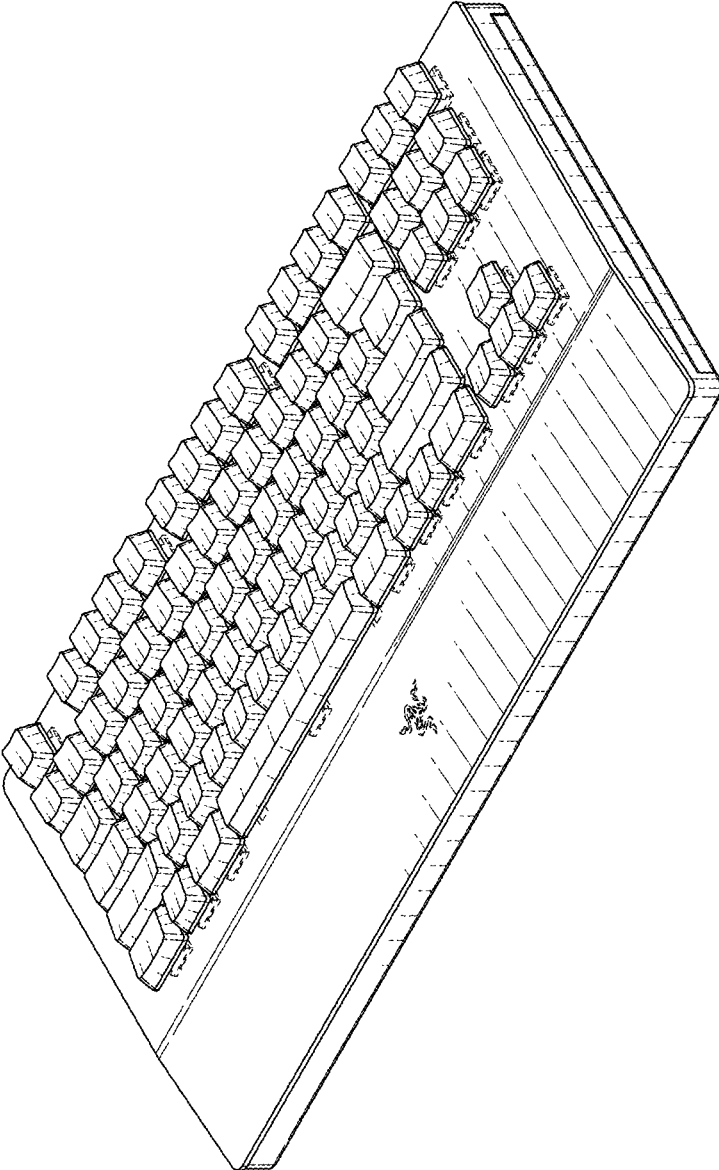


FIG. 17