



US00D952221S

(12) **United States Design Patent**  
**Long**

(10) **Patent No.:** **US D952,221 S**

(45) **Date of Patent:** **\*\* May 17, 2022**

(54) **SOLAR WALL LIGHT**

(71) Applicant: **Yang Long**, Jiangxi (CN)

(72) Inventor: **Yang Long**, Jiangxi (CN)

(\*\*) Term: **15 Years**

(21) Appl. No.: **29/760,095**

(22) Filed: **Nov. 29, 2020**

(51) **LOC (13) Cl.** ..... **26-05**

(52) **U.S. Cl.**  
USPC ..... **D26/63**

(58) **Field of Classification Search**  
USPC ..... D26/63, 71, 72, 92, 118  
CPC .. F21S 9/037; F21S 8/033; F21S 8/036; F21S  
8/085; F21S 8/086; F21W 2131/107  
See application file for complete search history.

(56) **References Cited**

**U.S. PATENT DOCUMENTS**

D645,594 S *	9/2011	Grawe .....	D26/63
D694,460 S *	11/2013	Fang .....	D26/92
D720,485 S *	12/2014	Gough .....	D26/63
D720,487 S *	12/2014	Moeller .....	D26/63
D723,727 S *	3/2015	Moeller .....	D26/63
D790,107 S *	6/2017	Wilmotte .....	D26/92
D829,358 S *	9/2018	Zhuo .....	D26/71
D847,398 S *	4/2019	Chen .....	
D884,243 S *	5/2020	Li .....	D26/63

D911,595 S *	2/2021	Giessler .....	D26/118
D921,258 S *	6/2021	Xu .....	D26/63
D921,265 S *	6/2021	Hsu .....	D26/72
2011/0228534 A1*	9/2011	Zhang .....	F21V 7/0083 362/240
2013/0265752 A1*	10/2013	Shimizu .....	F21V 5/045 362/231

**OTHER PUBLICATIONS**

SOLUSTRE Outdoor Solar Motion Sensor Light, ASIN: B08K3PGTPC, available at amazon.com Sep. 22, 2020. (Year: 2020).\*  
NACINIC Solar Motion Sensor Light ASIN: B08CVQZW21, available at amazon.com Jul. 28, 2020. (Year: 2020).\*

\* cited by examiner

*Primary Examiner* — Clare E Heflin

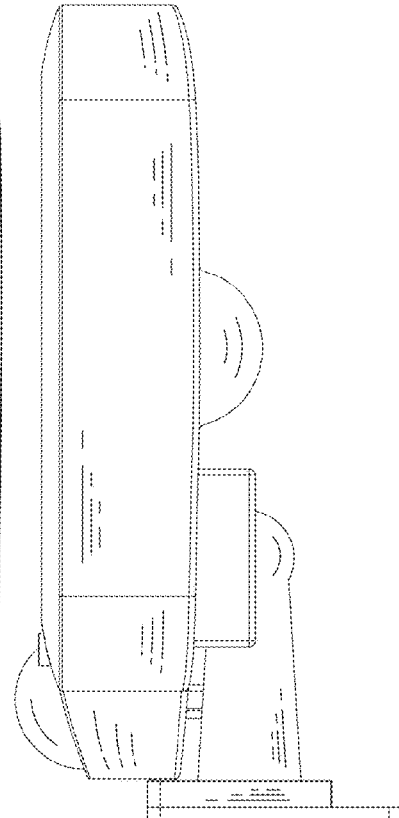
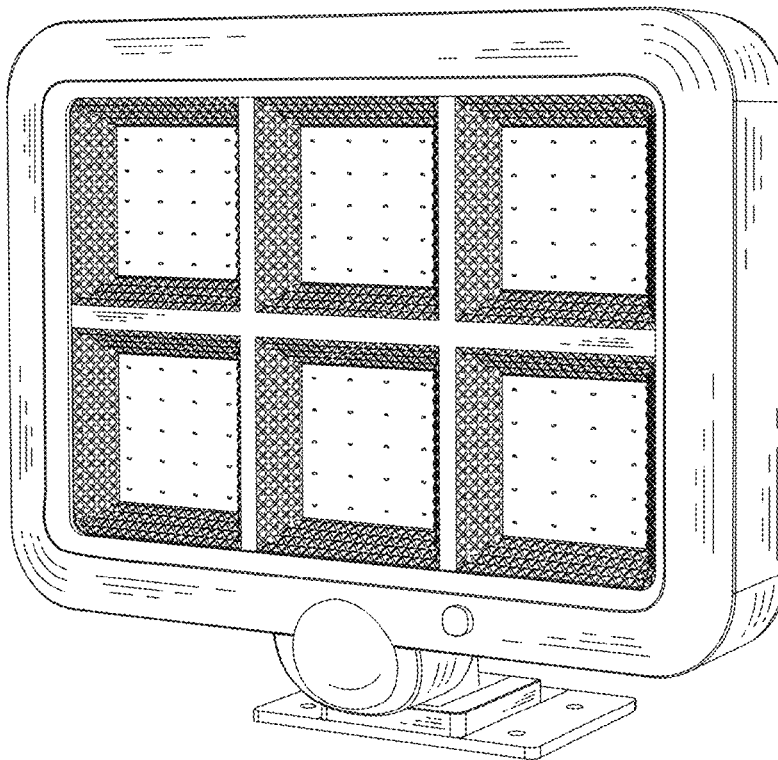
(57) **CLAIM**

The ornamental design for a solar wall light, as shown and described.

**DESCRIPTION**

FIG. 1 is a perspective view of a solar wall light showing my new design;  
FIG. 2 is a front view thereof;  
FIG. 3 is a back view thereof;  
FIG. 4 is a left side view thereof;  
FIG. 5 is a right side view thereof;  
FIG. 6 is a top view thereof; and,  
FIG. 7 is a bottom view thereof.

**1 Claim, 7 Drawing Sheets**



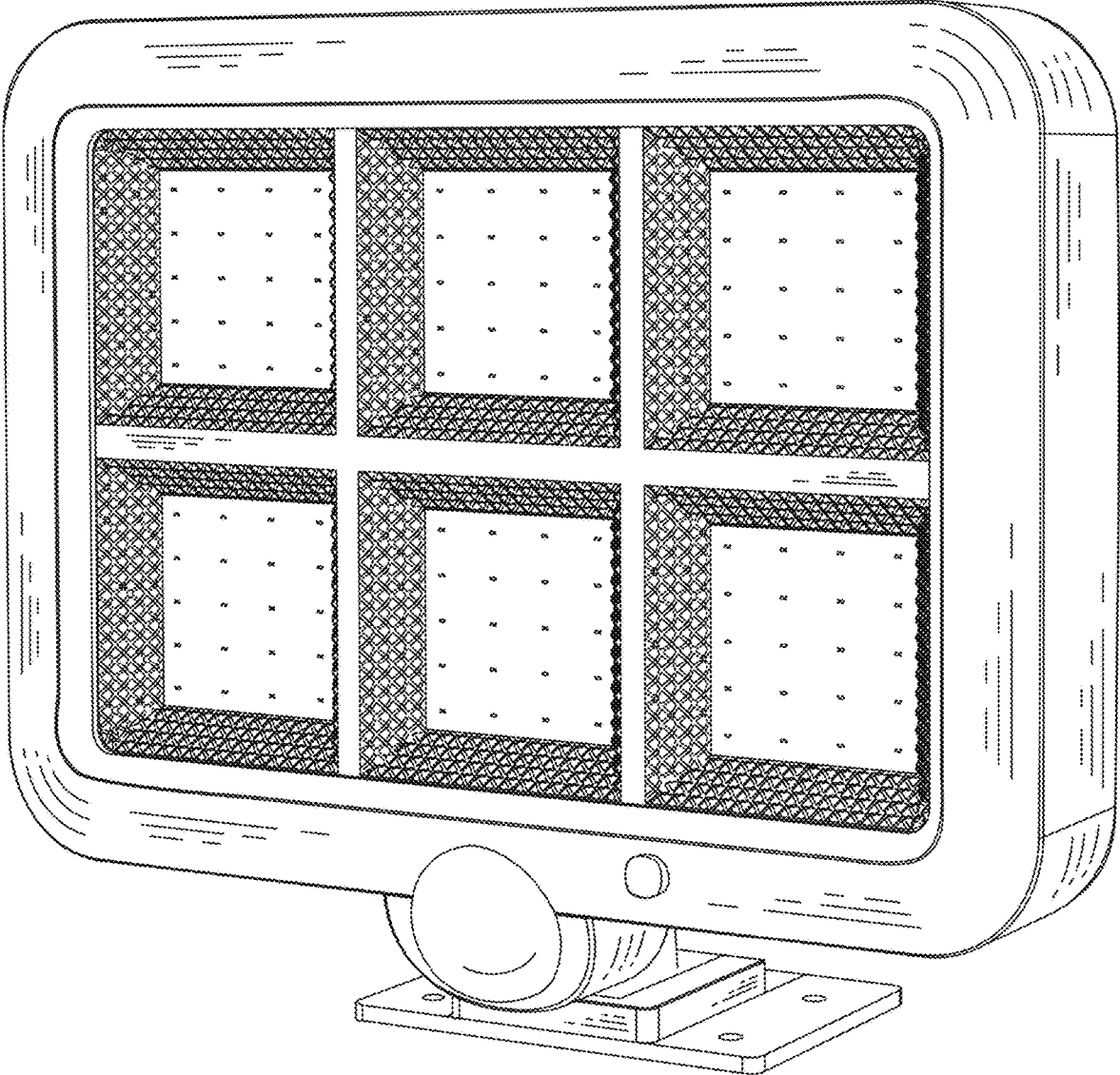


FIG. 1

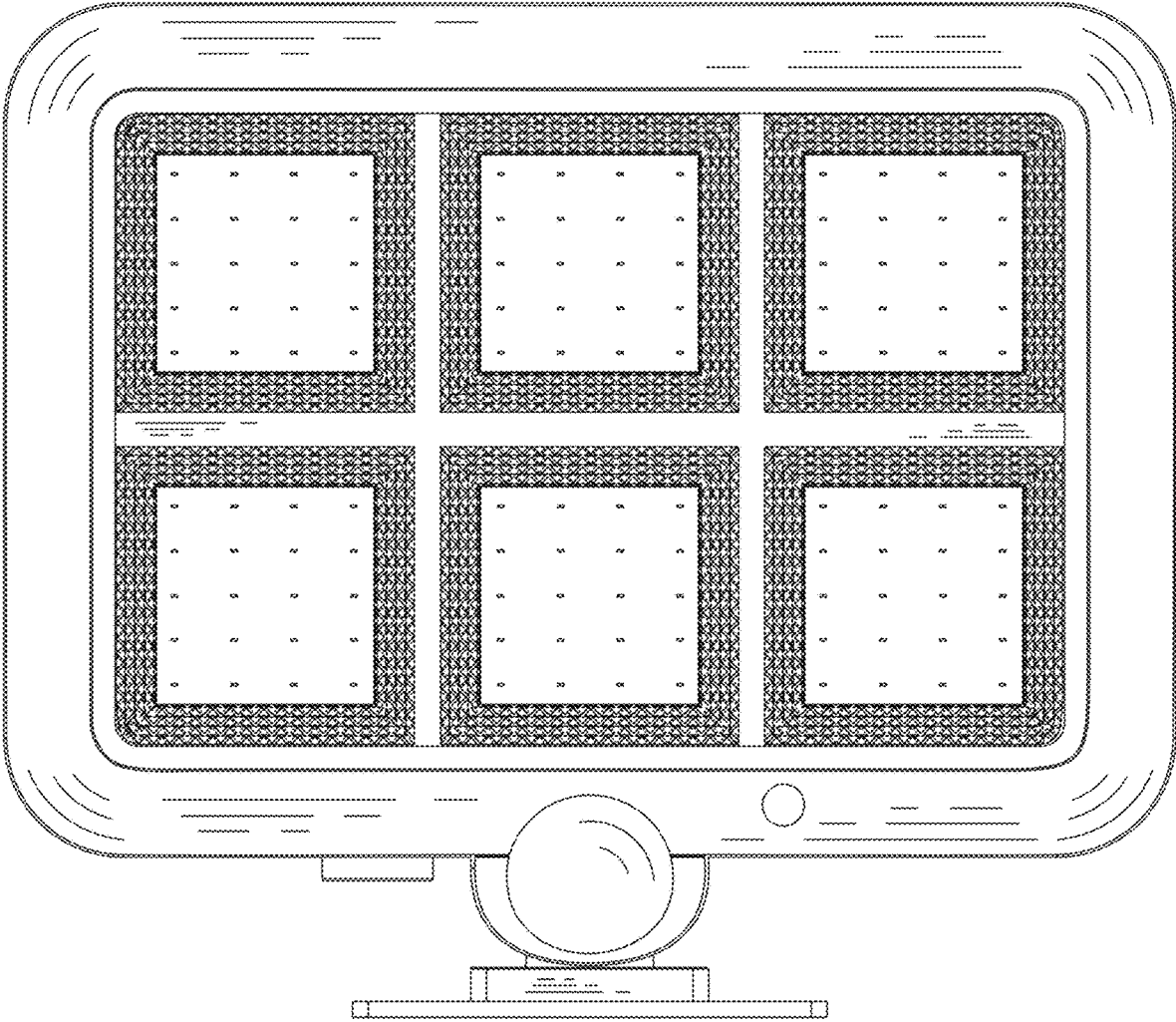


FIG. 2

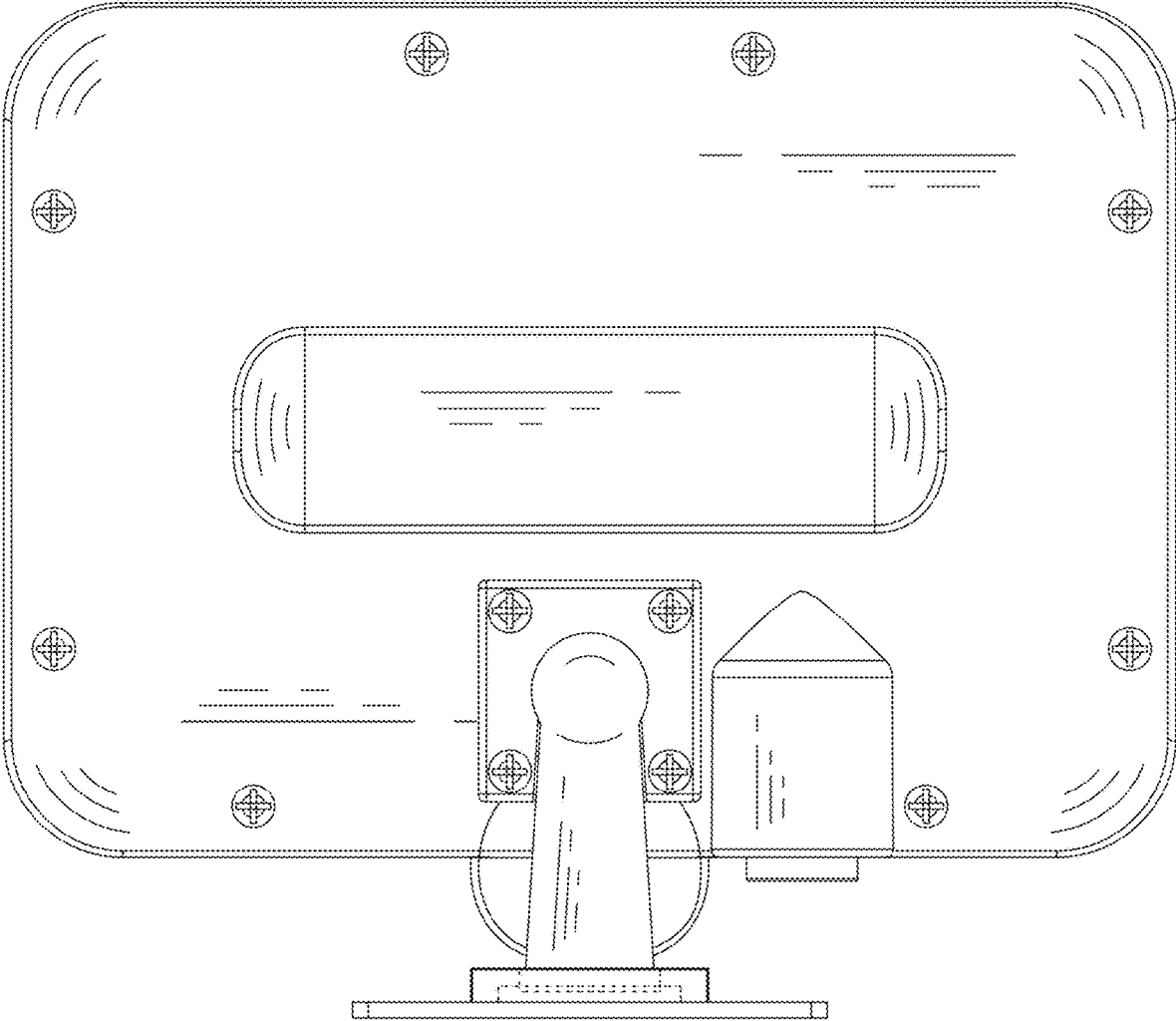


FIG. 3

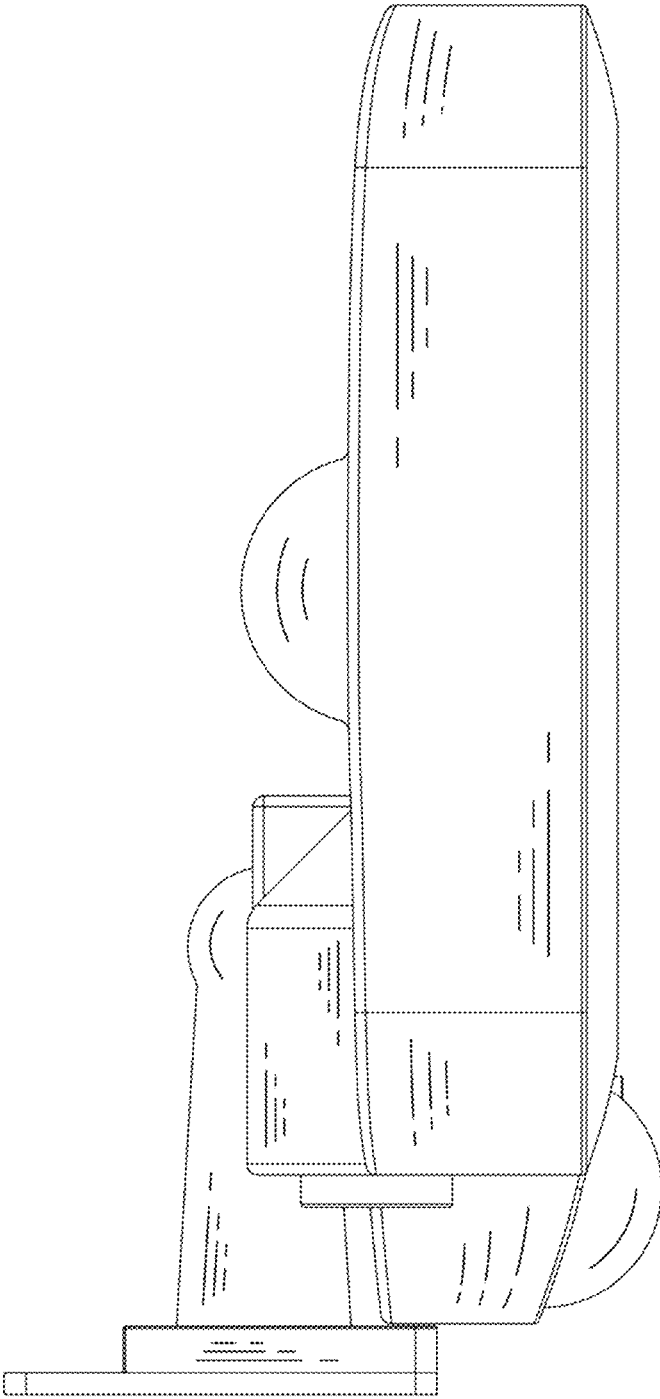


FIG. 4

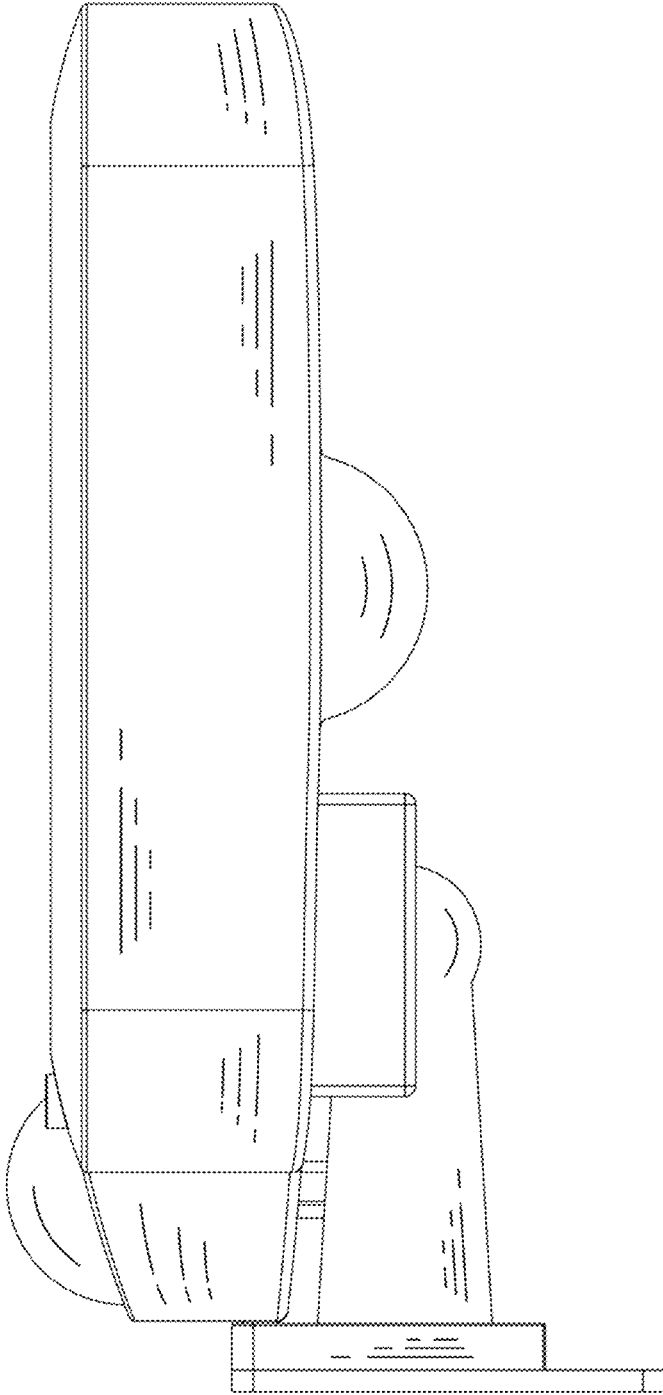


FIG. 5

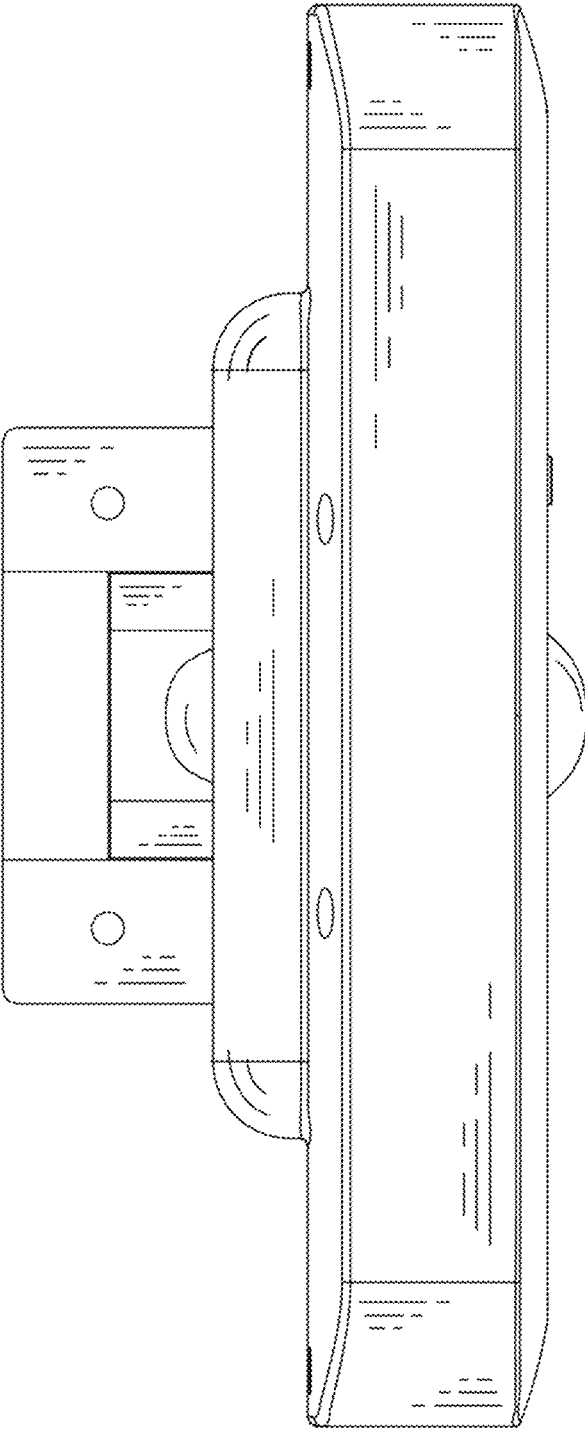


FIG. 6

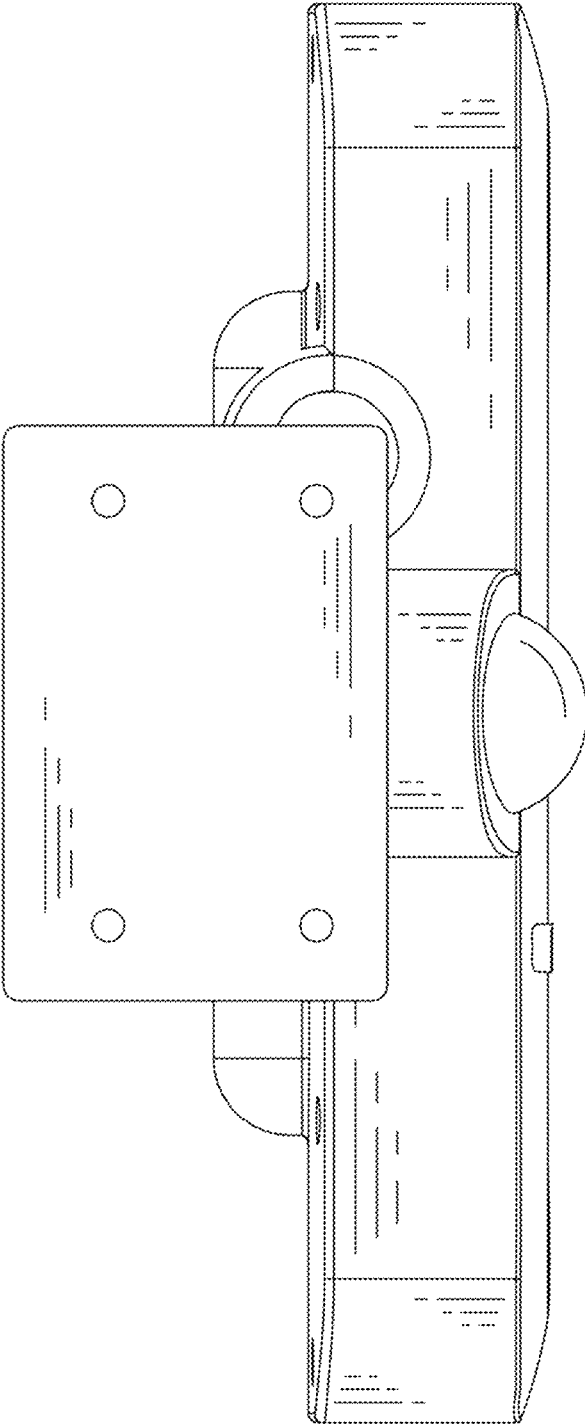


FIG. 7