



US0D1022152S

(12) **United States Design Patent**
Dumonceaux

(10) **Patent No.:** **US D1,022,152 S**

(45) **Date of Patent:** **** Apr. 9, 2024**

- (54) **PIPE FOR FLUID DISTRIBUTION**
- (71) Applicant: **INDUSTRIAL FLOW SOLUTIONS OPERATING LLC**, New Haven, CT (US)
- (72) Inventor: **Stephane Dumonceaux**, Burcy (FR)
- (**) Term: **15 Years**
- (21) Appl. No.: **29/810,482**
- (22) Filed: **Oct. 5, 2021**
- (51) **LOC (14) Cl.** **23-01**
- (52) **U.S. Cl.**
USPC **D23/263**
- (58) **Field of Classification Search**
USPC D23/213, 229, 233-237, 247-249, 259, D23/262-263, 265-266; D24/108, 112, D24/127, 129
CPC F16L 33/30; F16L 11/00; F16L 9/18-20; F16L 9/22; F16L 37/00; B05B 7/00; B05B 7/0425; E03C 1/023; E03C 1/086; E03C 2001/026; E03C 2201/30; F04D 29/708; F04D 13/06; F04D 13/14
See application file for complete search history.

D702,542	S	*	4/2014	Smith	H02G 3/06
						D8/396
D722,141	S	*	2/2015	Luke	D23/263
D739,506	S	*	9/2015	Taylor	D23/259
D747,784	S	*	1/2016	McLauchlan	D23/233
D771,779	S	*	11/2016	Scifres	D23/263
D802,759	S	*	11/2017	Guala	D24/129
D805,165	S	*	12/2017	Dean	D23/262
D812,743	S	*	3/2018	Guala	D24/129
D817,478	S	*	5/2018	Zoellner	D24/110.6
10,056,746	B1	*	8/2018	Smith	H02G 3/06
D838,845	S	*	1/2019	Sinharay	D24/129
D841,134	S	*	2/2019	Shill	D23/262
D843,952	S	*	3/2019	Smith	D13/155
D854,658	S	*	7/2019	Yamada	D23/235
D855,153	S	*	7/2019	Yamada	D23/235
D858,704	S	*	9/2019	Yamada	D23/235

(Continued)

Primary Examiner — Dana K Weiland
Assistant Examiner — Kathryn Elizabeth Zieno
 (74) *Attorney, Agent, or Firm* — Wasserbauer Law, LLC;
 Damian G. Wasserbauer, Esq.; Nicholas E. Blanton, Esq.

(57) **CLAIM**

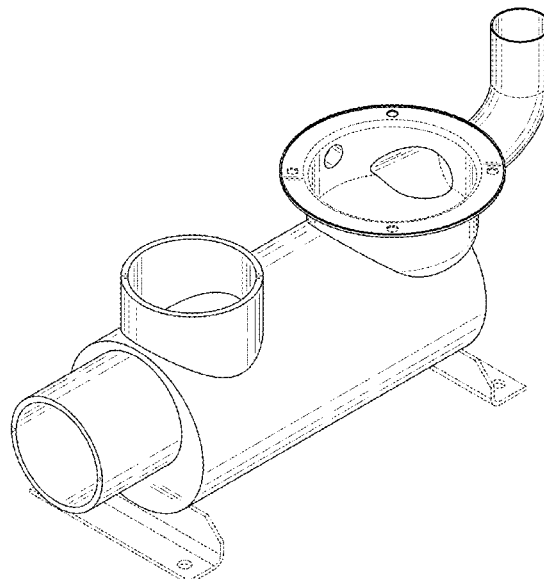
The ornamental design for a pipe for fluid distribution, as shown and described.

DESCRIPTION

FIG. 1 is a front, top, right side perspective view of a pipe for fluid distribution, in accordance with the present invention;
 FIG. 2 is a rear, bottom, left side perspective view thereof;
 FIG. 3 is a front view thereof;
 FIG. 4 is a rear view thereof;
 FIG. 5 is a top view thereof;
 FIG. 6 is a bottom view thereof;
 FIG. 7 is a right side view thereof; and,
 FIG. 8 is a left side view thereof.
 The broken lines represent portions of the pipe for fluid distribution that form no part of the claimed design.

1 Claim, 8 Drawing Sheets

- (56) **References Cited**
U.S. PATENT DOCUMENTS
- D236,115 S * 7/1975 Bjorklund D23/248
- D272,262 S * 1/1984 Honma D23/235
- D363,115 S * 10/1995 Lennartsson D23/263
- D478,650 S * 8/2003 Lai D23/233
- D481,110 S * 10/2003 Snyder, Sr. D23/263
- D638,931 S * 5/2011 Graham A61M 16/109
D24/127
- D644,305 S * 8/2011 White D23/266
- D672,037 S * 12/2012 Miller D24/129
- D676,942 S * 2/2013 Kluss D23/262
- D681,159 S * 4/2013 Ben-Horin D23/262



(56)

References Cited

U.S. PATENT DOCUMENTS

D864,353	S *	10/2019	Oechsle	D23/233
D866,713	S *	11/2019	Oechsle	D23/233
D876,590	S *	2/2020	Fernandez	D23/259
D878,516	S *	3/2020	Pathan	D23/209
D913,957	S *	3/2021	Holton	D13/155
D915,300	S *	4/2021	Holton	D13/155
D916,252	S *	4/2021	Tinaphong	G01M 3/184
					D23/263
D938,549	S *	12/2021	Ben-Horin	D23/207
D940,269	S *	1/2022	Ben-Horin	D23/207
D978,290	S *	2/2023	Oechsle	D23/233
2011/0233437	A1 *	9/2011	Mattson	F16K 11/0853
					251/309
2017/0275857	A1 *	9/2017	DiDea	E03C 1/023
2019/0063441	A1 *	2/2019	Schlittler	F04D 13/14
2022/0325724	A1 *	10/2022	Dumonceaux	F04D 13/14
2023/0016305	A1 *	1/2023	Geng	F04D 25/08

* cited by examiner

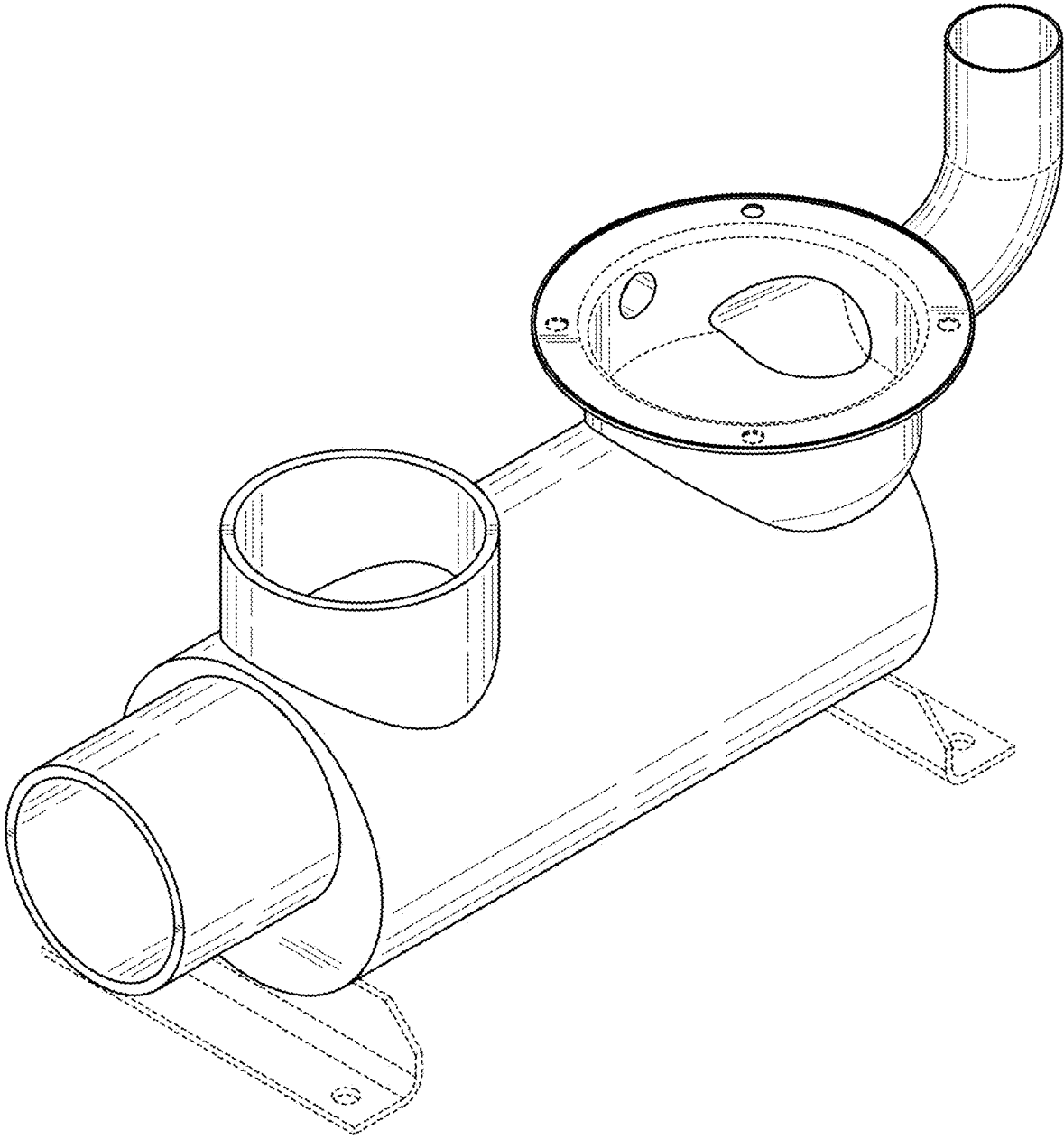


FIG. 1

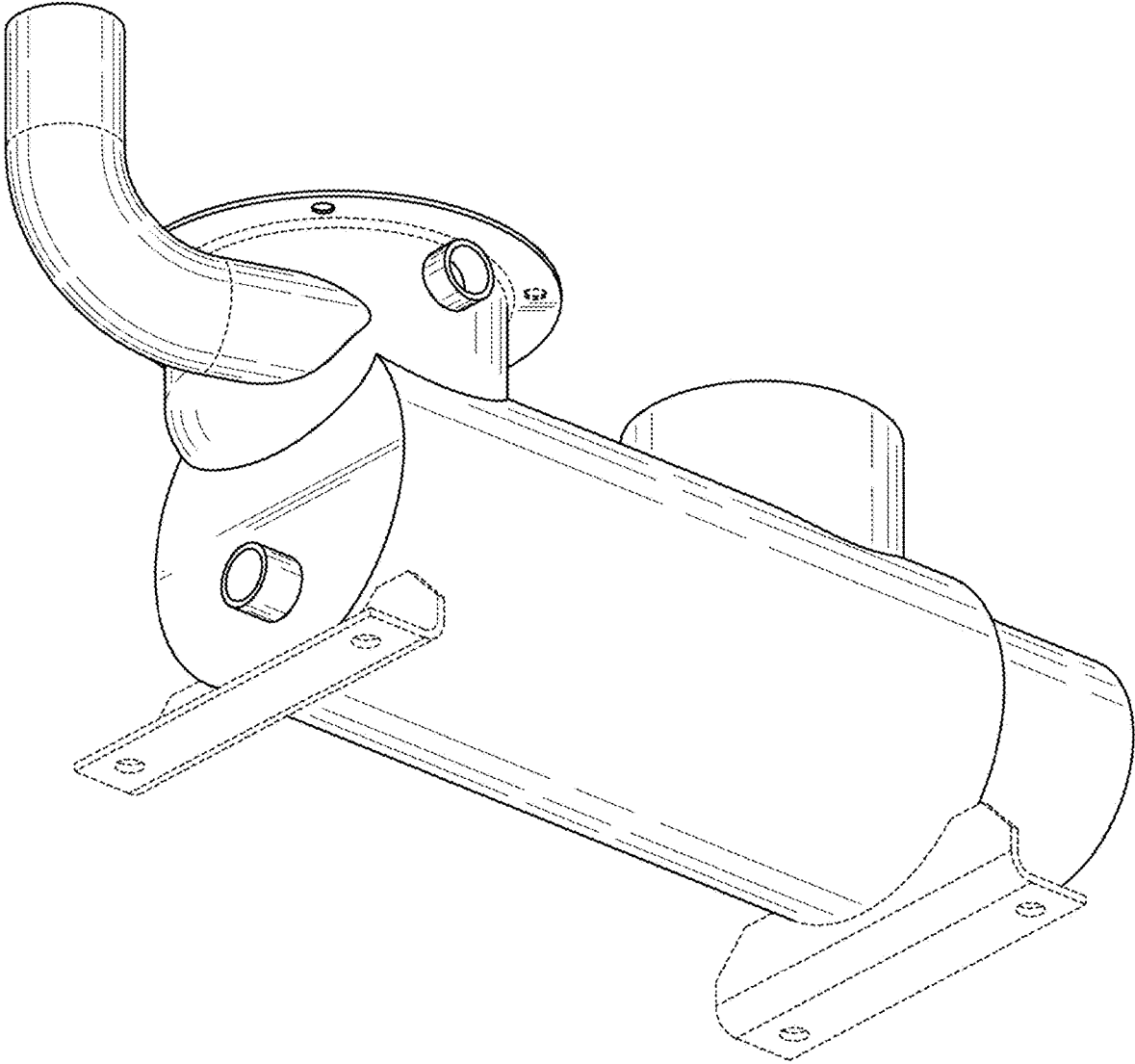


FIG. 2

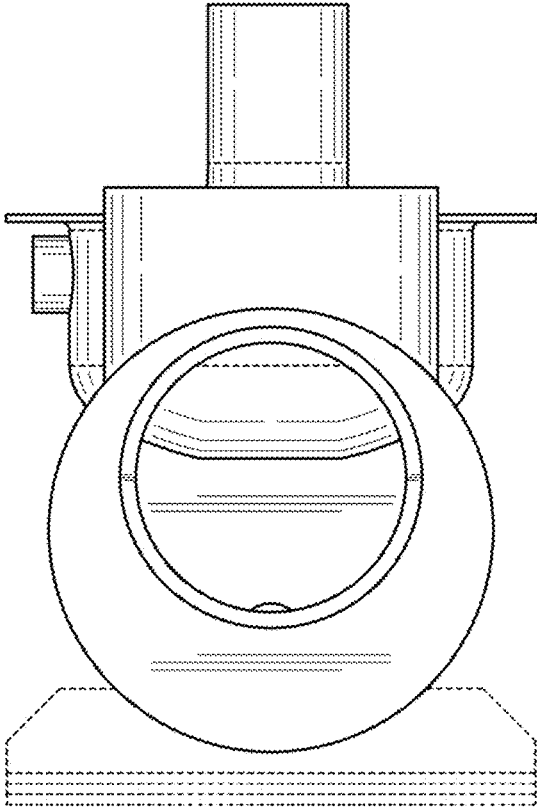


FIG. 3

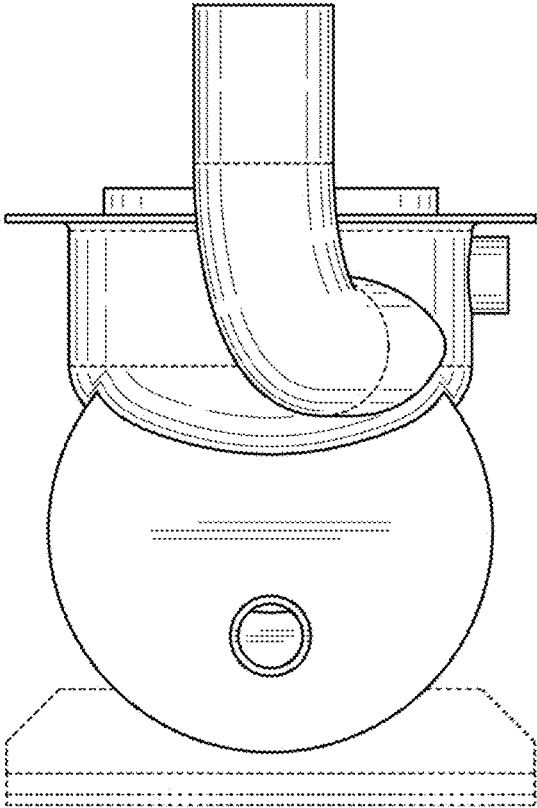


FIG. 4

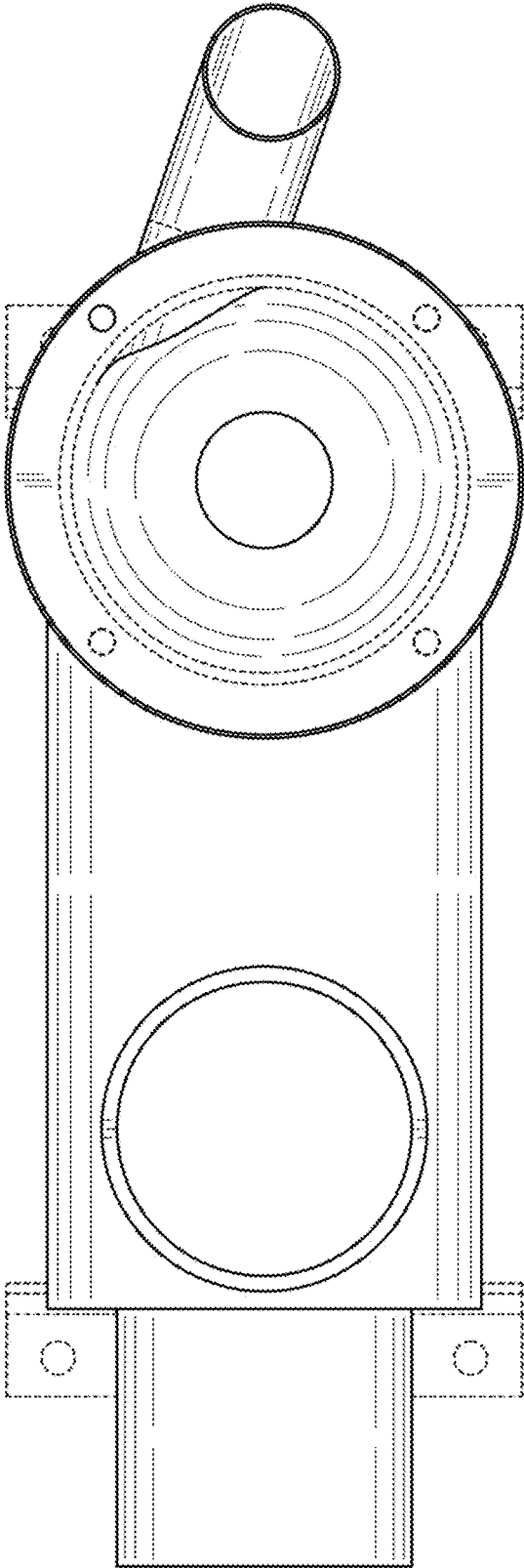


FIG. 5

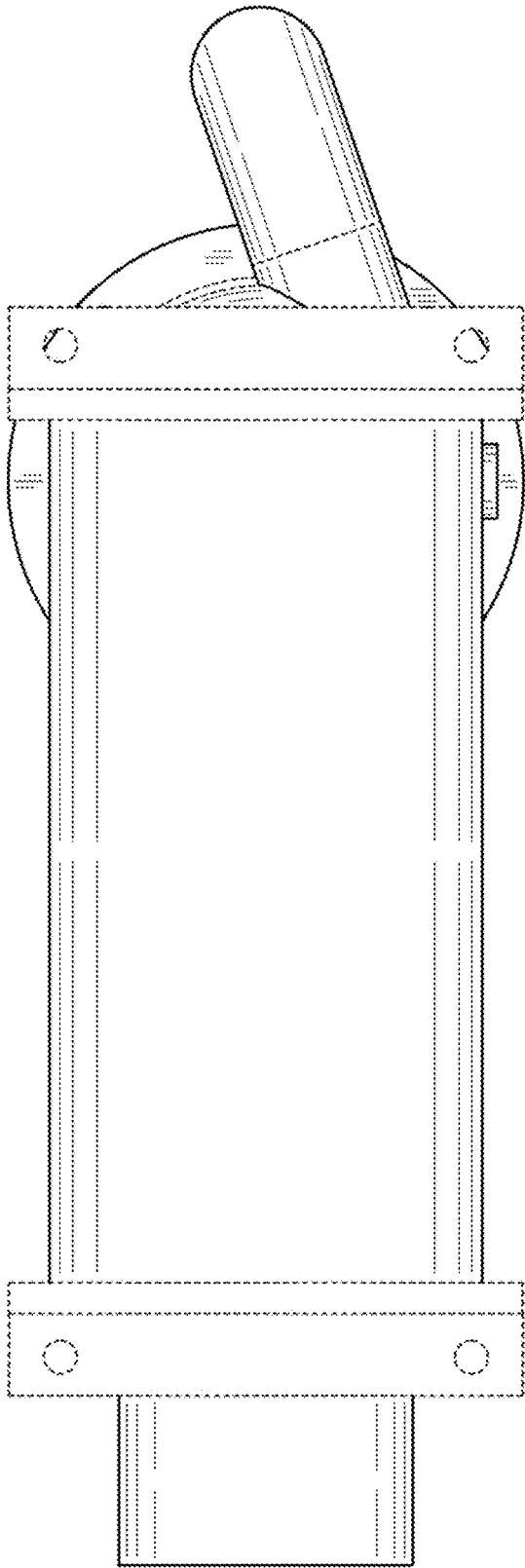


FIG. 6

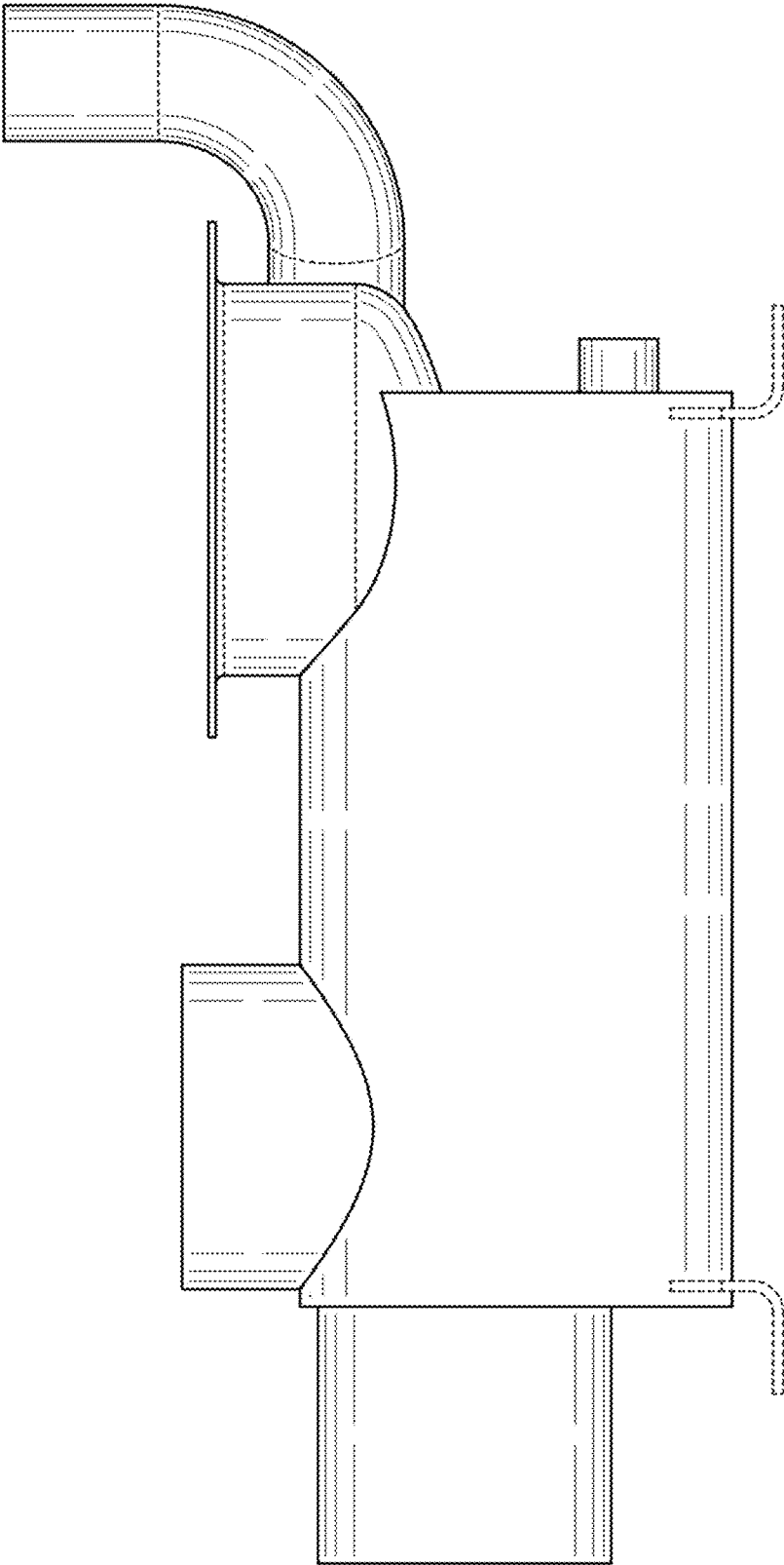


FIG. 7

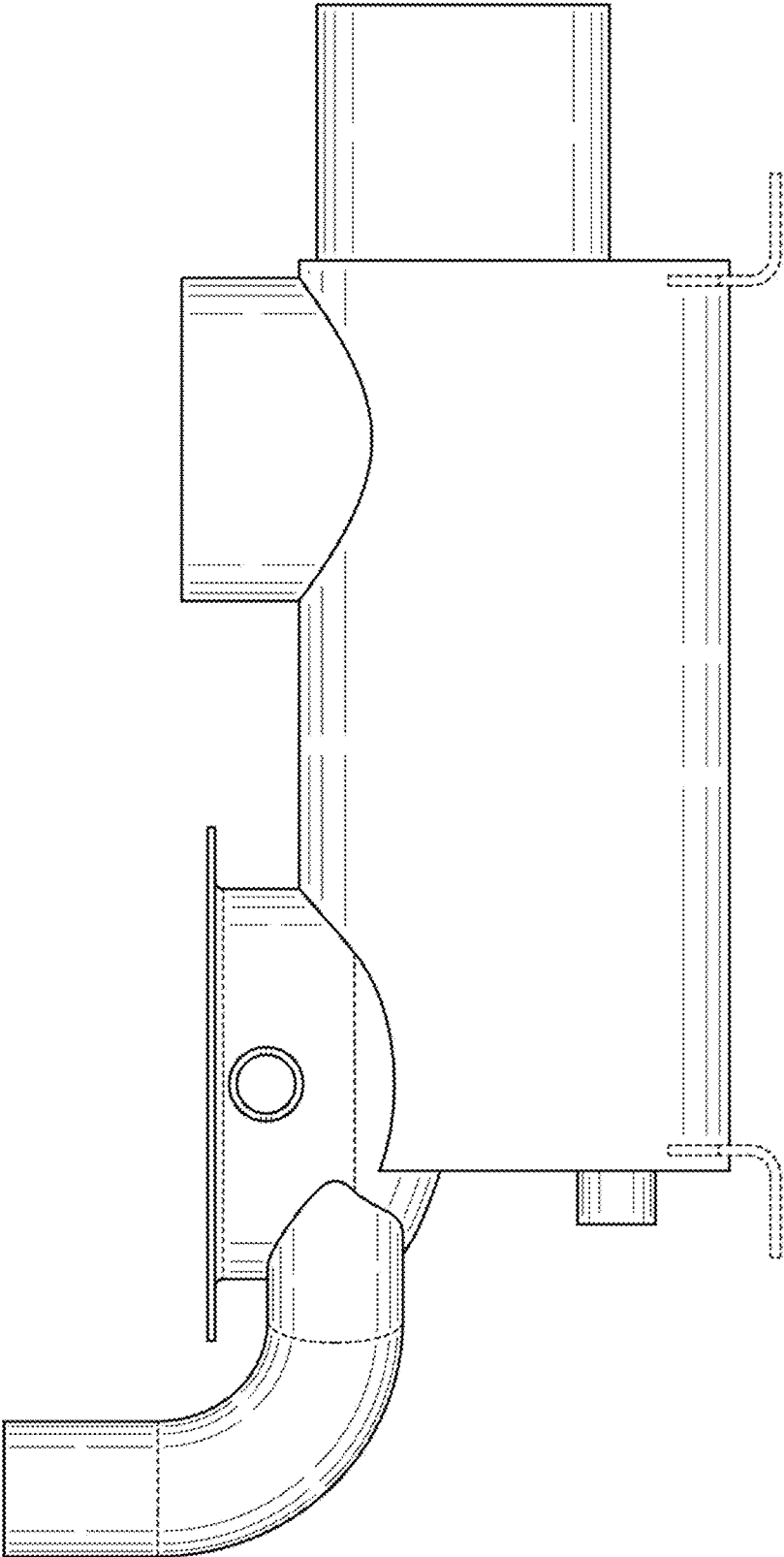


FIG. 8