

(19) World Intellectual Property Organization  
International Bureau



(43) International Publication Date  
21 December 2006 (21.12.2006)

PCT

(10) International Publication Number  
**WO 2006/134324 A3**

(51) International Patent Classification:  
*B66B 9/04* (2006.01) *F15B 1/02* (2006.01)

(21) International Application Number:  
PCT/GB2006/002099

(22) International Filing Date: 8 June 2006 (08.06.2006)

(25) Filing Language: English

(26) Publication Language: English

(30) Priority Data:  
0511908.6 11 June 2005 (11.06.2005) GB

(71) Applicant (for all designated States except US): **STANNAH LIFTS LIMITED** [GB/GB]; Anton Mill, Andover, Hampshire SP10 2NX (GB).

(72) Inventor; and

(75) Inventor/Applicant (for US only): **STANNAH, Alan, Neil, Russell** [GB/GB]; Watt Close, East Portway, Andover, Hampshire SP10 3SD (GB).

(74) Agent: **STRACHAN, Victoria, Jane**; Udl Intellectual Property, Churchill House, Churchill Way, Cardiff CF10 2HH (GB).

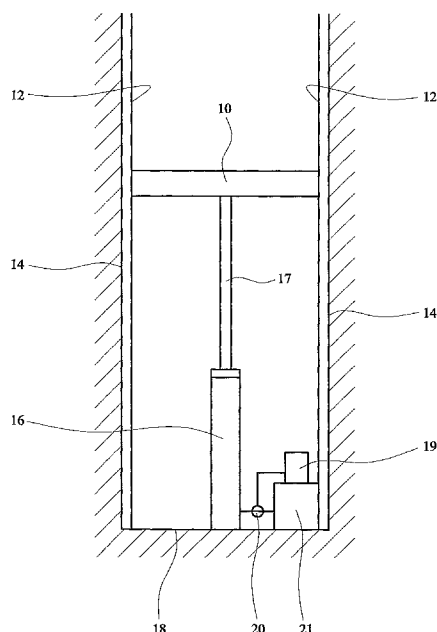
(81) Designated States (unless otherwise indicated, for every kind of national protection available): AE, AG, AL, AM, AT, AU, AZ, BA, BB, BG, BR, BW, BY, BZ, CA, CH, CN, CO, CR, CU, CZ, DE, DK, DM, DZ, EC, EE, EG, ES, FI, GB, GD, GE, GH, GM, HR, HU, ID, IL, IN, IS, JP, KE, KG, KM, KN, KP, KR, KZ, LC, LK, LR, LS, LT, LU, LV, LY, MA, MD, MG, MK, MN, MW, MX, MZ, NA, NG, NI, NO, NZ, OM, PG, PH, PL, PT, RO, RU, SC, SD, SE, SG, SK, SL, SM, SY, TJ, TM, TN, TR, TT, TZ, UA, UG, US, UZ, VC, VN, YU, ZA, ZM, ZW.

(84) Designated States (unless otherwise indicated, for every kind of regional protection available): ARIPO (BW, GH, GM, KE, LS, MW, MZ, NA, SD, SL, SZ, TZ, UG, ZM, ZW), Eurasian (AM, AZ, BY, KG, KZ, MD, RU, TJ, TM), European (AT, BE, BG, CH, CY, CZ, DE, DK, EE, ES, FI, FR, GB, GR, HU, IE, IS, IT, LT, LU, LV, MC, NL, PL, PT, RO, SE, SI, SK, TR), OAPI (BF, BJ, CF, CG, CI, CM, GA, GN, GQ, GW, ML, MR, NE, SN, TD, TG).

Published:  
— with international search report  
— before the expiration of the time limit for amending the claims and to be republished in the event of receipt of amendments

(88) Date of publication of the international search report:  
19 June 2008

(54) Title: IMPROVEMENTS IN OR RELATING TO DRIVE SYSTEMS



(57) Abstract: A hydraulically driven elevator or lift is provided with counterbalance means to at least partly counterbalance the load imposed by the load carrier or lift car. Operation of the counterbalance means, which includes a source of hydraulic fluid communicating with an accumulator, does not involve any interference with the working fluid of the hydraulic drive system.

WO 2006/134324 A3

## INTERNATIONAL SEARCH REPORT

International application No

PCT/GB2006/002099

**A. CLASSIFICATION OF SUBJECT MATTER**  
 INV. B66B9/04 F15B1/02

According to International Patent Classification (IPC) or to both national classification and IPC

**B. FIELDS SEARCHED**

Minimum documentation searched (classification system followed by classification symbols)

B66B F15B

Documentation searched other than minimum documentation to the extent that such documents are included in the fields searched

Electronic data base consulted during the international search (name of data base and, where practical, search terms used)

EPO-Internal

**C. DOCUMENTS CONSIDERED TO BE RELEVANT**

Category*	Citation of document, with indication, where appropriate, of the relevant passages	Relevant to claim No.
X	GB 1 227 353 A (CESSNA AIRCRAFT COMPANY) 7 April 1971 (1971-04-07)  page 1, line 77 - line 93; figure 2 page 2, line 46 - line 82	1-3, 5-14, 16-19
A	GB 2 097 860 A (LUCAS IND PLC) 10 November 1982 (1982-11-10) figure 2	1, 13, 16, 18
A	JP 2002 372008 A (OIL DRIVE KOGYO KK) 26 December 2002 (2002-12-26) cited in the application abstract	1, 13, 16, 18
	----- -/--	

Further documents are listed in the continuation of Box C.

See patent family annex.

\* Special categories of cited documents:

- \*A\* document defining the general state of the art which is not considered to be of particular relevance
- \*E\* earlier document but published on or after the international filing date
- \*L\* document which may throw doubts on priority claim(s) or which is cited to establish the publication date of another citation or other special reason (as specified)
- \*O\* document referring to an oral disclosure, use, exhibition or other means
- \*P\* document published prior to the international filing date but later than the priority date claimed

- \*T\* later document published after the international filing date or priority date and not in conflict with the application but cited to understand the principle or theory underlying the invention
- \*X\* document of particular relevance; the claimed invention cannot be considered novel or cannot be considered to involve an inventive step when the document is taken alone
- \*Y\* document of particular relevance; the claimed invention cannot be considered to involve an inventive step when the document is combined with one or more other such documents, such combination being obvious to a person skilled in the art.
- \*Z\* document member of the same patent family

Date of the actual completion of the international search

22 April 2008

Date of mailing of the international search report

02/05/2008

Name and mailing address of the ISA/

European Patent Office, P.B. 5818 Patentlaan 2  
 NL - 2280 HV Rijswijk  
 Tel. (+31-70) 340-2040, Tx. 31 651 epo nl,  
 Fax: (+31-70) 340-3016

Authorized officer

Krikorian, Olivier

## INTERNATIONAL SEARCH REPORT

International application No

PCT/GB2006/002099

C(Continuation). DOCUMENTS CONSIDERED TO BE RELEVANT		
Category*	Citation of document, with indication, where appropriate, of the relevant passages	Relevant to claim No.
A	WO 01/14238 A (BERINGER HYDRAULIK AG [CH]; ZUERCHER JOSEF [CH]; MOSER DANIEL [CH]) 1 March 2001 (2001-03-01) cited in the application claim 1; figure 1	1, 13, 16, 18
A	WO 99/33740 A (KADOCHÉ EMILE [FR]) 8 July 1999 (1999-07-08) cited in the application claim 1; figure 1	1, 13, 16, 18

## INTERNATIONAL SEARCH REPORT

Information on patent family members

International application No

PCT/GB2006/002099

Patent document cited in search report	Publication date	Patent family member(s)	Publication date
GB 1227353	A	07-04-1971	NONE
GB 2097860	A	10-11-1982	DE 3216199 A1 18-11-1982 FR 2505013 A1 05-11-1982
JP 2002372008	A	26-12-2002	NONE
WO 0114238	A	01-03-2001	AT 244191 T 15-07-2003 DE 50002755 D1 07-08-2003 EP 1208057 A1 29-05-2002 US 6505711 B1 14-01-2003
WO 9933740	A	08-07-1999	AT 244674 T 15-07-2003 AU 1882299 A 19-07-1999 CA 2316837 A1 08-07-1999 CN 1285804 A 28-02-2001 DE 69816338 D1 14-08-2003 EP 1044156 A1 18-10-2000 FR 2773142 A1 02-07-1999 IL 136926 A 29-05-2003 JP 2001527014 T 25-12-2001 US 6347515 B1 19-02-2002