



US00D893454S

(12) **United States Design Patent**
Li

(10) **Patent No.:** **US D893,454 S**

(45) **Date of Patent:** **** Aug. 18, 2020**

- (54) **HEADPHONE**
- (71) Applicant: **Xiongjie Li**, Guangdong (CN)
- (72) Inventor: **Xiongjie Li**, Guangdong (CN)
- (73) Assignee: **Yizhao Digital Technology (Shenzhen) Co., Ltd**, Shenzhen (CN)
- (**) Term: **15 Years**
- (21) Appl. No.: **29/675,506**
- (22) Filed: **Jan. 3, 2019**
- (51) **LOC (12) Cl.** **14-01**
- (52) **U.S. Cl.**
USPC **D14/206; D14/226**
- (58) **Field of Classification Search**
USPC D14/206, 226, 205, 188, 192; D29/112;
2/209; 181/129, 130, 135; 379/430, 431;
381/380, 381, 374, 370; 455/90.3, 575.1,
455/569.1
CPC H04R 25/00; H04R 25/02; H04R 1/10;
H04R 1/1066; H04R 1/1016; H04R
5/033; H04R 5/0335; H04R 1/105
See application file for complete search history.

5,210,792 A *	5/1993	Kajihara	H04M 1/05
				379/430
D337,116 S *	7/1993	Hattori	D14/206
D340,033 S *	10/1993	Okumura	D14/192
5,406,037 A *	4/1995	Nageno	H04R 5/0335
				181/129
5,551,090 A *	9/1996	Thompson	A61F 11/08
				128/866
5,793,878 A *	8/1998	Chang	H04R 5/0335
				381/370
D410,466 S *	6/1999	Mouri	D14/205
D420,356 S *	2/2000	Suzuki	D14/205
D435,249 S *	12/2000	Yasutomi	D14/205
D453,015 S *	1/2002	Yuyama	D14/192
D458,597 S *	6/2002	Davies	D14/206
D463,857 S *	10/2002	Dix	D24/106
6,560,346 B2 *	5/2003	Ohta	H04R 1/083
				381/370
6,625,293 B1 *	9/2003	Nageno	H04R 1/08
				181/20

(Continued)

FOREIGN PATENT DOCUMENTS

EM	004022424-0001	*	5/2017
EM	004261519-0001	*	9/2017
EM	005328556-0001	*	6/2018

Primary Examiner — Paula Allen Greene

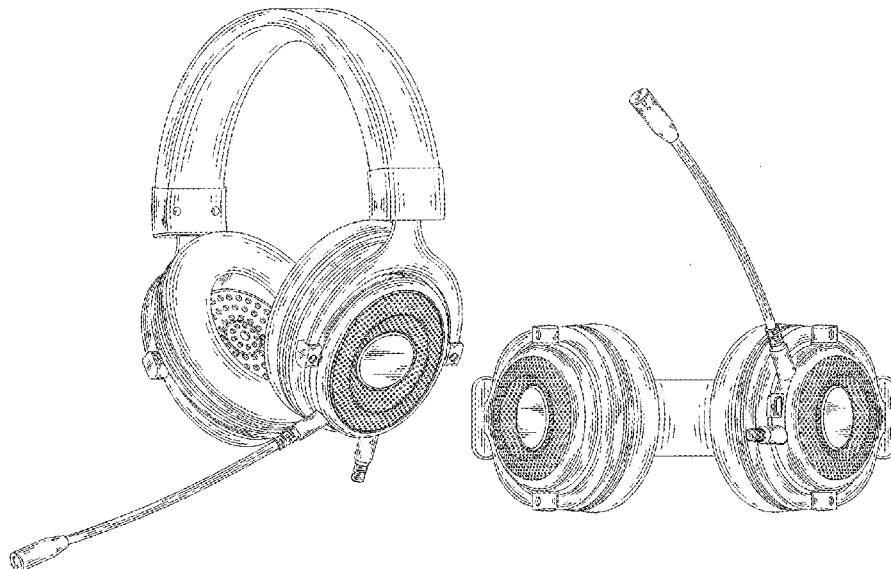
(57) **CLAIM**

The ornamental design for a headphone, as shown and described.

DESCRIPTION

FIG. 1 is a perspective view of a headphone showing my new design, the opposite interior front face of the headphone ear cup is a mirror image;
FIG. 2 is a front elevational view thereof;
FIG. 3 is a rear elevational view thereof;
FIG. 4 is a top plan view thereof; and,
FIG. 5 is a bottom plan view thereof.

1 Claim, 5 Drawing Sheets



(56)

References Cited

U.S. PATENT DOCUMENTS

D482,019	S *	11/2003	Petersen	D14/206	D711,348	S *	8/2014	Yang	D14/205
D484,485	S *	12/2003	Matsuoka	D14/205	D716,762	S *	11/2014	Greve	D14/206
6,654,966	B2 *	12/2003	Rolla	H04R 1/1066	D719,136	S *	12/2014	Schaal	D14/205
						D725,074	S *	3/2015	Boeckel	D14/205
						D728,512	S *	5/2015	Nakagawa	D14/205
						D732,503	S *	6/2015	Brunner	H04R 1/1008
											D14/205
D488,146	S *	4/2004	Minto	D14/206	D739,842	S *	9/2015	Birger	D14/205
D494,154	S *	8/2004	Polito	D14/206	D741,290	S *	10/2015	Schaal	D14/205
D504,414	S *	4/2005	Yoshida	D14/192	D750,042	S *	2/2016	Poulsen	D14/206
D504,419	S *	4/2005	Bey	D14/223	D763,228	S *	8/2016	Carr	D14/206
7,106,873	B1 *	9/2006	Harrison	A61N 1/36036	D763,820	S *	8/2016	McHatet	D14/205
						D764,437	S *	8/2016	Yang	D14/206
						D765,055	S *	8/2016	Hsieh	D14/205
D540,303	S *	4/2007	Rausch	D14/205	D766,870	S *	9/2016	Catalano	D14/205
D541,256	S *	4/2007	Rausch	D14/205	D769,212	S *	10/2016	Larsen	D14/204
D542,774	S *	5/2007	Rausch	D14/206	D769,221	S *	10/2016	Pedersen	D14/206
D549,688	S *	8/2007	Suzuki	D14/205	D782,999	S *	4/2017	Spio	D14/206
7,317,810	B2 *	1/2008	Ohashi	H04R 9/025	D786,824	S *	5/2017	Hembrey	D14/205
						D806,675	S *	1/2018	Fuglsang	D14/206
						D806,676	S *	1/2018	Fuglsang	D14/206
D563,382	S *	3/2008	Wikel	D14/205	D811,364	S *	2/2018	Park	D14/205
D567,215	S *	4/2008	Lee	D14/205	10,028,049	B2 *	7/2018	Inoue	H04R 1/1041
7,388,960	B2 *	6/2008	Kuo	H04R 1/1041	D826,895	S *	8/2018	Sharp	D14/205
						10,178,463	B2 *	1/2019	Smiechowski	H04R 1/1066
						D841,616	S *	2/2019	Bian	D14/205
D582,890	S *	12/2008	Koza	D14/205	D842,267	S *	3/2019	Pedersen	D14/205
D588,098	S *	3/2009	Kurihara	D14/205	D847,117	S *	4/2019	Summerson	D14/206
D591,263	S *	4/2009	Shimizu	D14/205	D852,168	S *	6/2019	Zhou	D14/205
D592,640	S *	5/2009	Tkachuk	D14/205	D857,652	S *	8/2019	Wang	D14/205
D593,995	S *	6/2009	Shimizu	D14/205	D864,155	S *	10/2019	Liu	D14/206
D602,001	S *	10/2009	Bentley	D14/206	D864,156	S *	10/2019	Liu	D14/206
D603,370	S *	11/2009	Suzuki	D14/205	D864,157	S *	10/2019	Hu	D14/206
D603,371	S *	11/2009	Boateng	D14/205	D864,897	S *	10/2019	Qin	D14/205
D604,266	S *	11/2009	Milde	D14/205	D864,903	S *	10/2019	Liu	D14/206
D625,705	S *	10/2010	Ohori	D14/205	D867,328	S *	11/2019	Bian	D14/205
D632,668	S *	2/2011	Brunner	D14/205	D868,029	S *	11/2019	Hanggi	D14/205
D637,176	S *	5/2011	Brunner	D14/205	D869,430	S *	12/2019	Rama	D14/205
D639,776	S *	6/2011	Arimoto	D14/205	D870,069	S *	12/2019	Hu	D14/206
D641,003	S *	7/2011	Alden	D14/205	D872,050	S *	1/2020	Liu	D14/206
D643,405	S *	8/2011	Rath	D14/206	D874,430	S *	2/2020	Liu	D14/205
D648,318	S *	11/2011	Huang	D14/206	D875,067	S *	2/2020	Tsubone	D14/205
D648,330	S *	11/2011	Fischer	D14/226	D875,073	S *	2/2020	Pedersen	D14/206
D652,406	S *	1/2012	Lee	D14/205	2005/0286717	A1 *	12/2005	Viduya	H04M 1/05
8,098,872	B2 *	1/2012	Chang	H04R 1/1075						379/430
D654,472	S *	2/2012	Fischer	D14/206	2011/0194721	A1 *	8/2011	Schmidt	H04R 1/1066
D657,344	S *	4/2012	Brunner	D14/205						381/370
D673,520	S *	1/2013	Tan	D14/205	2011/0206216	A1 *	8/2011	Brunner	H04R 1/1066
D678,860	S *	3/2013	Hagelin	D14/205						381/74
D692,410	S *	10/2013	Brunner	H04R 1/1008						
D709,860	S *	7/2014	Brunner	H04S 1/005						

* cited by examiner

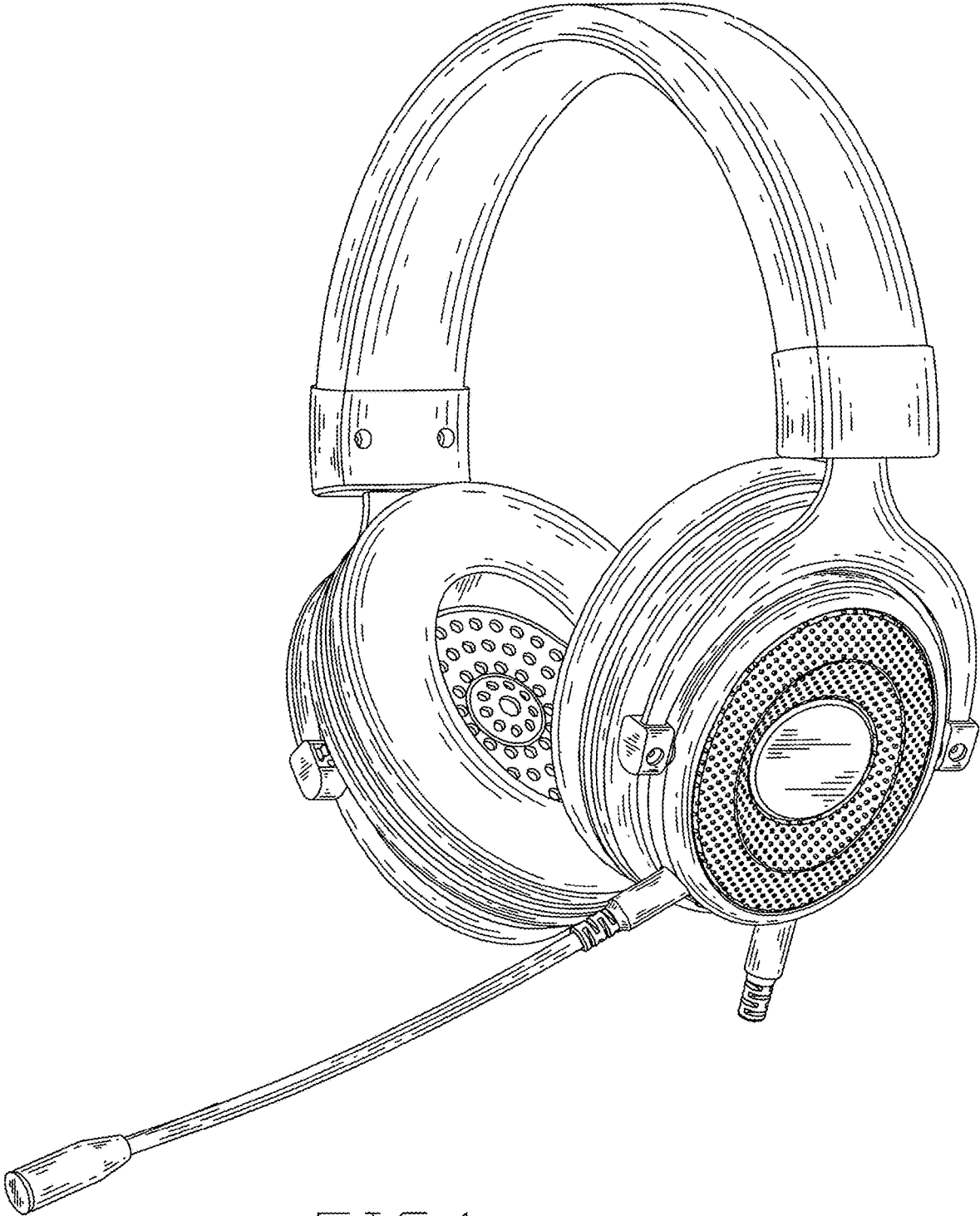


FIG. 1



FIG. 2



FIG. 3

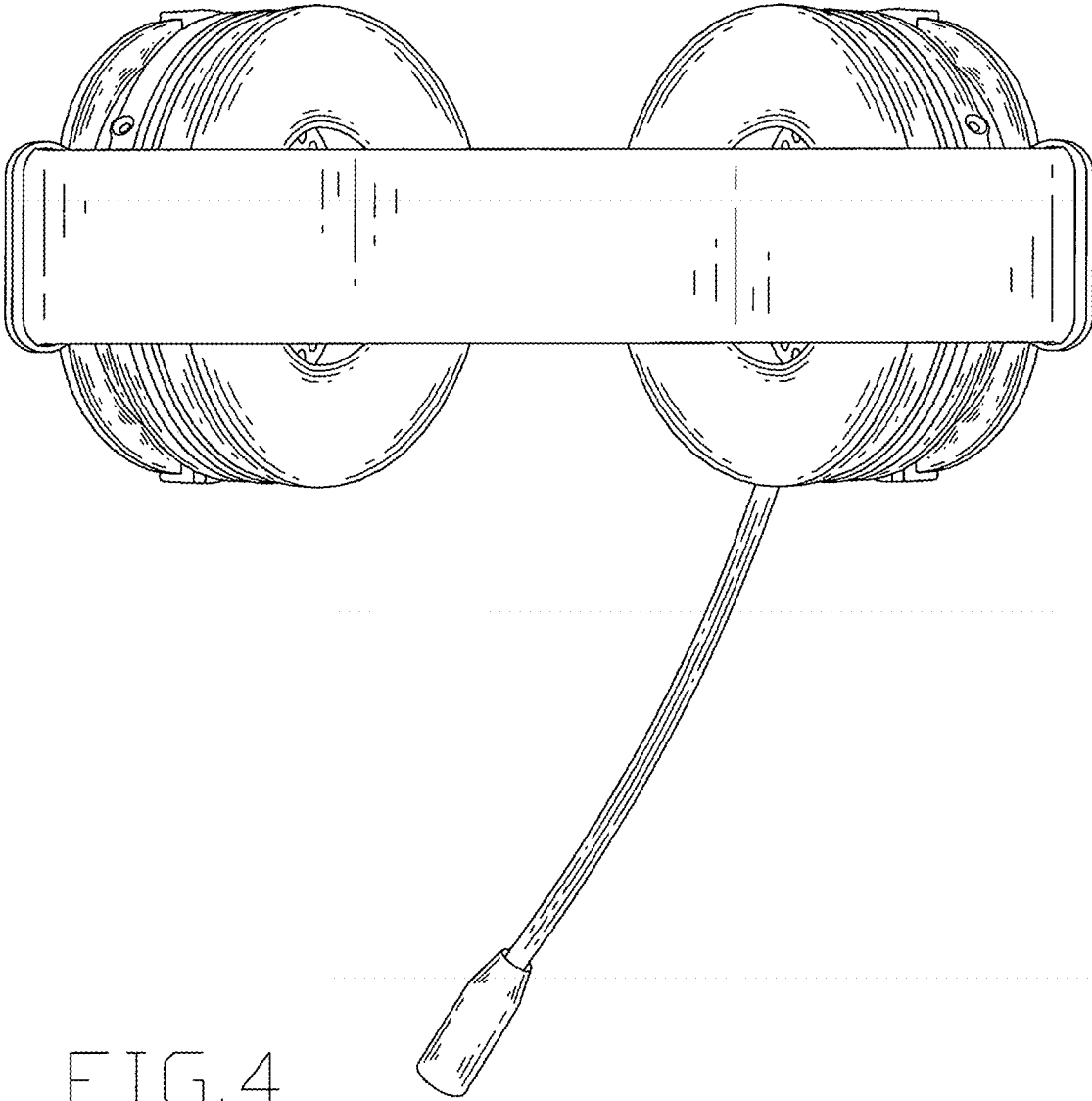


FIG. 4

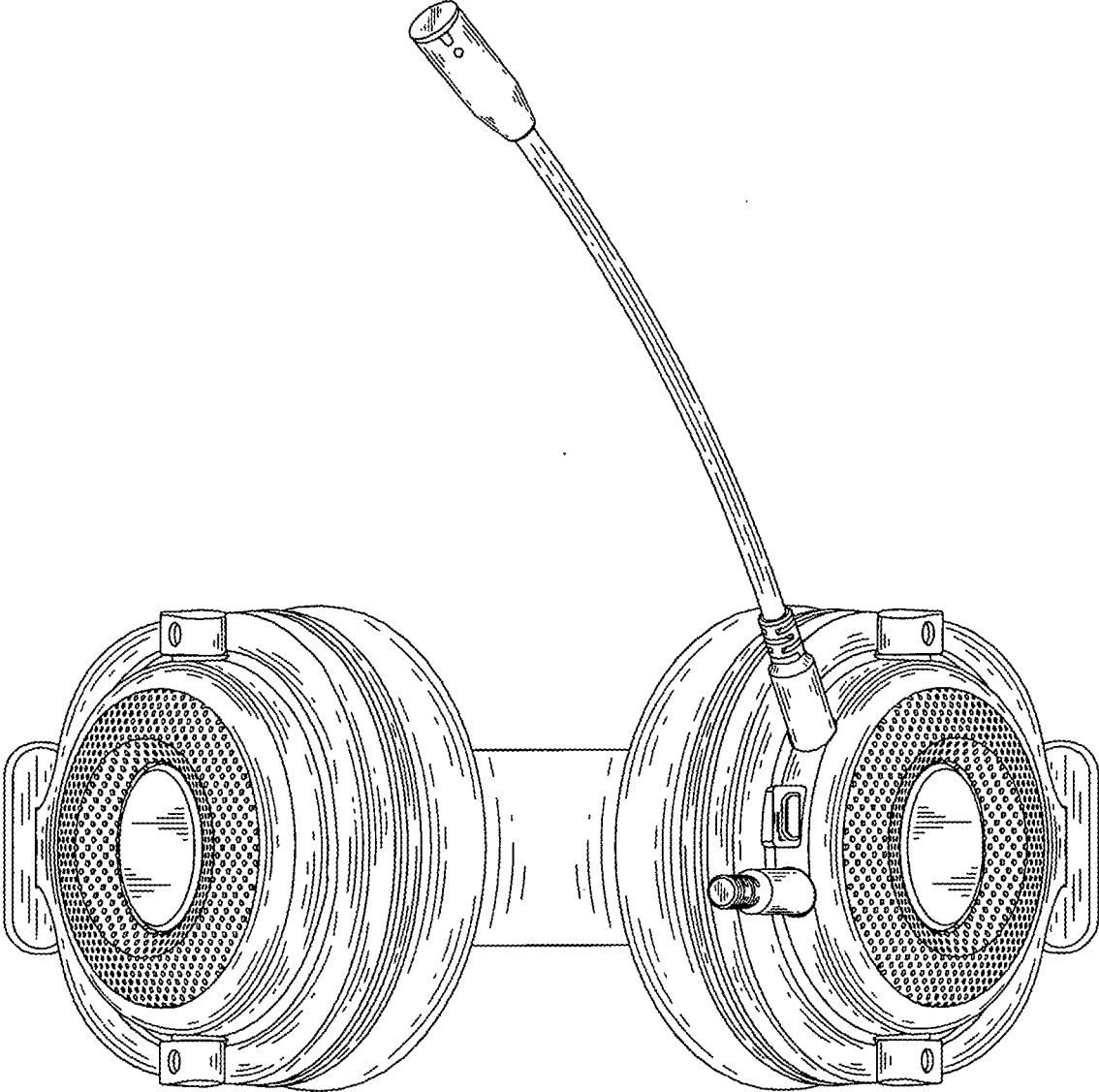


FIG.5