



US00D914163S

(12) **United States Design Patent**
Zhu

(10) **Patent No.:** **US D914,163 S**

(45) **Date of Patent:** **** Mar. 23, 2021**

(54) **FAUCET BODY**

(71) Applicant: **Hansgrohe SE**, Schiltach (DE)

(72) Inventor: **Chuanbao Zhu**, Fujian (CN)

(73) Assignee: **Hansgrohe SE**, Schiltach (DE)

(**) Term: **15 Years**

(21) Appl. No.: **29/700,703**

(22) Filed: **Aug. 5, 2019**

(30) **Foreign Application Priority Data**

Feb. 20, 2019 (EM) 006262440-0014

(51) **LOC (13) Cl.** **23-01**

(52) **U.S. Cl.**

USPC **D23/257**

(58) **Field of Classification Search**

USPC D23/238, 239, 240, 241, 242, 243, 249,
D23/255, 256, 257; D6/524

CPC E03C 1/04; E03C 1/0401; E03C 1/0402;
E03C 1/0404; E03C 1/0405; E03C
1/0412; Y10T 137/9464

See application file for complete search history.

(56) **References Cited**

U.S. PATENT DOCUMENTS

D461,000 S * 7/2002 Mullenmeister D23/255
D461,231 S * 8/2002 Mullenmeister D23/255

D492,009 S * 6/2004 Egee D23/238
D667,086 S * 9/2012 Kwok D23/238
D678,987 S * 3/2013 Liao D23/257
D718,426 S * 11/2014 Rexach D23/257
D754,826 S * 4/2016 Garland D23/257
D797,903 S * 9/2017 Zhang D23/257
D810,891 S * 2/2018 Garland D23/257
D823,437 S * 7/2018 Downey D23/242
D829,867 S * 10/2018 McKeone D23/255
D873,968 S * 1/2020 Bahler D23/255

* cited by examiner

Primary Examiner — John A Voytek

(74) *Attorney, Agent, or Firm* — Lora J. Graentzdoerffer

(57) **CLAIM**

The ornamental design for a faucet body, as shown and described.

DESCRIPTION

FIG. 1 is a perspective view of a faucet body showing my design;
FIG. 2 is a front elevation view;
FIG. 3 is a rear elevation view;
FIG. 4 is a side elevation view;
FIG. 5 is a top plan view; and,
FIG. 6 is a bottom plan view.
The broken-line disclosures in the drawings represent portions of the faucet body that form no part of the claimed design.

1 Claim, 6 Drawing Sheets

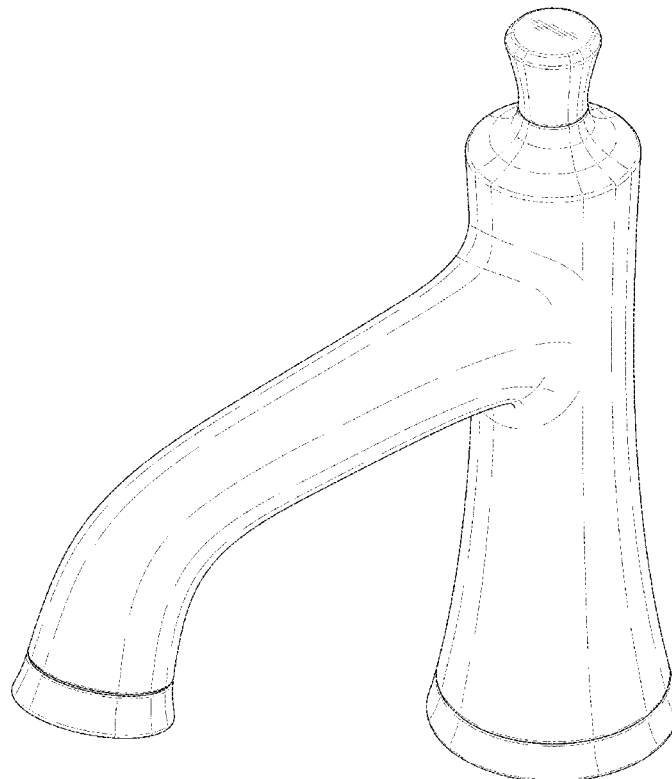


FIG. 1

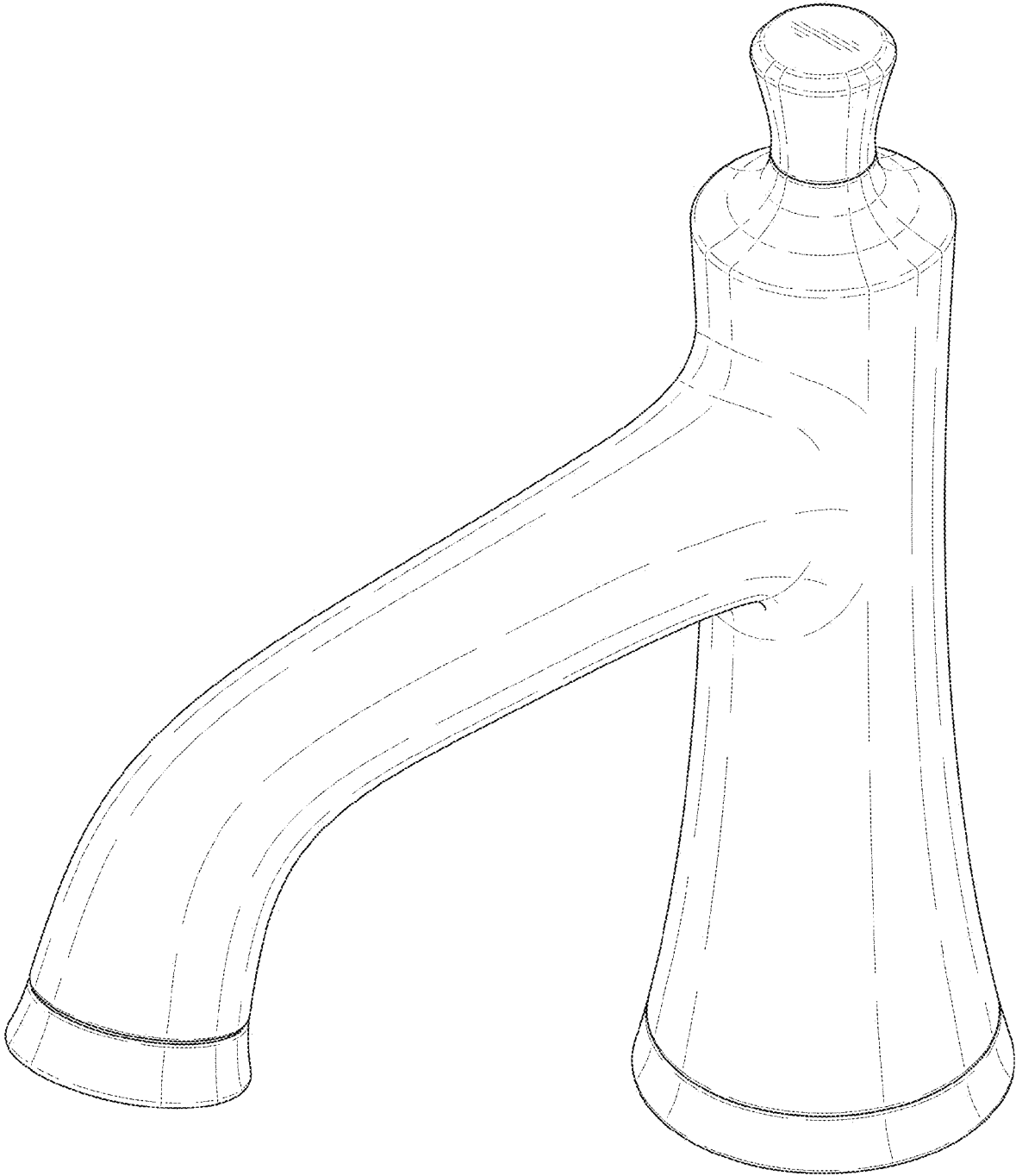


FIG. 2

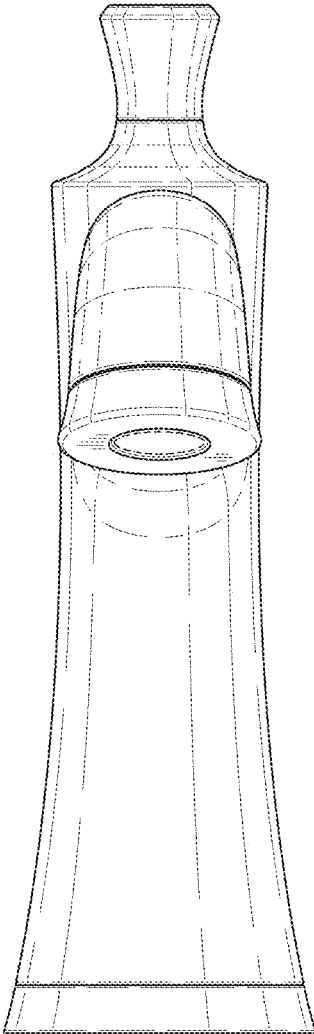


FIG. 3

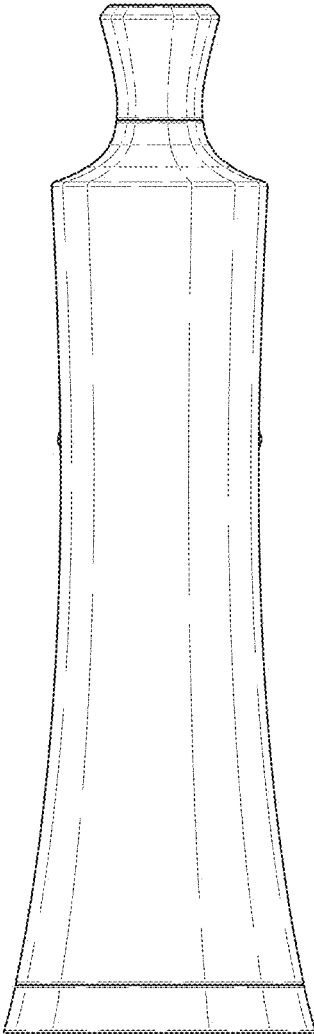


FIG. 4

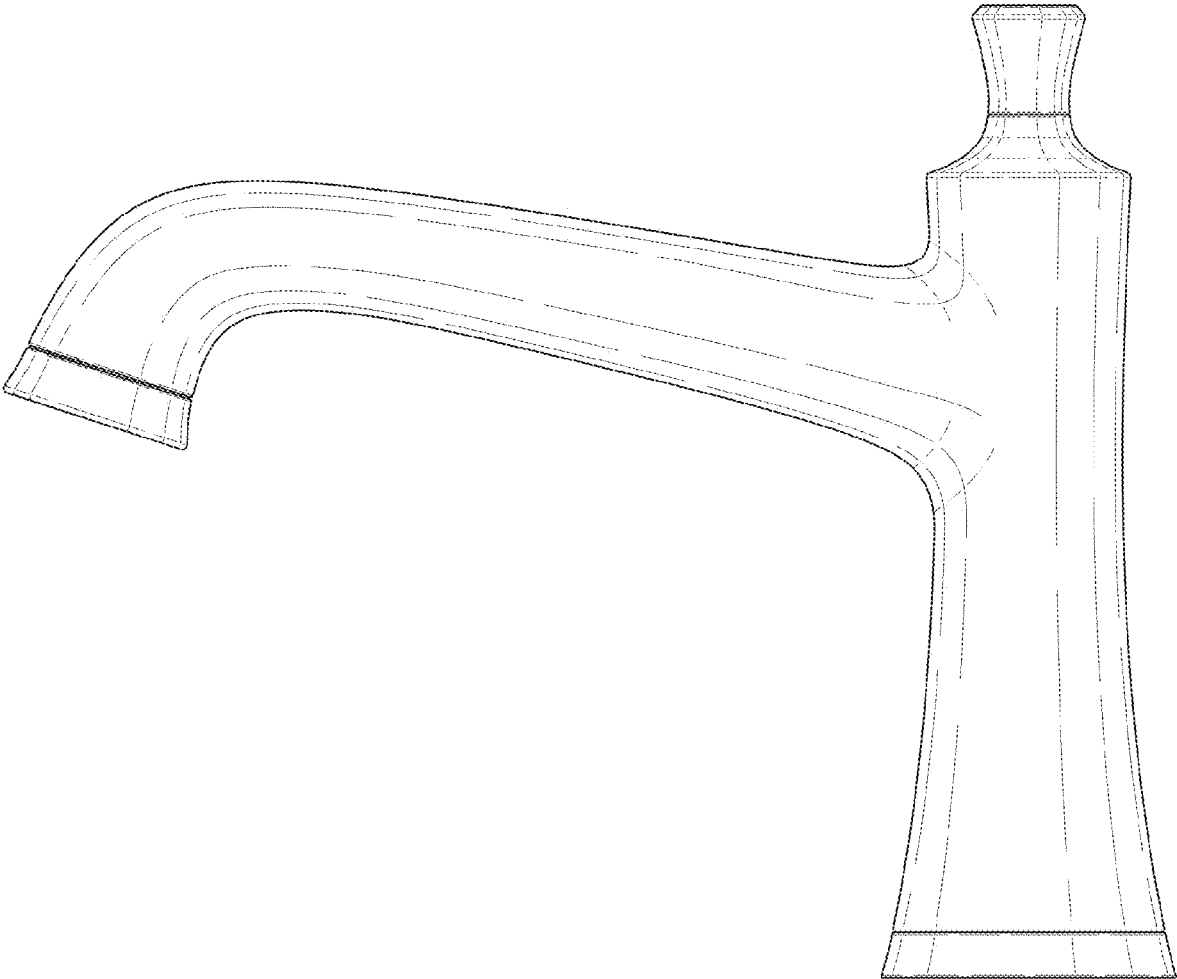


FIG. 5

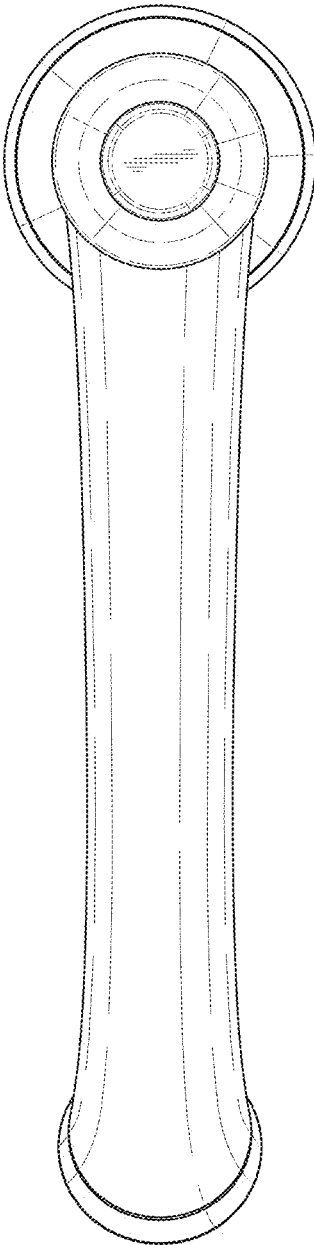


FIG. 6

