



US00D899832S

(12) **United States Design Patent**
Pomputius

(10) **Patent No.:** **US D899,832 S**

(45) **Date of Patent:** **** Oct. 27, 2020**

(54) **TABLE**

(71) Applicant: **John Pomp Studios, Inc.**, Philadelphia, PA (US)

(72) Inventor: **John Pomputius**, Philadelphia, PA (US)

(73) Assignee: **John Pomp Studios, Inc.**, Philadelphia, PA (US)

(**) Term: **15 Years**

(21) Appl. No.: **29/681,131**

(22) Filed: **Feb. 22, 2019**

(51) **LOC (12) Cl.** **06-03**

(52) **U.S. Cl.**
USPC **D6/696.7**

(58) **Field of Classification Search**
USPC D6/685, 686, 692, 692.1-692.6, 696, D6/696.1-696.7, 691-697.1, 697.2
CPC A47B 7/00; A47B 13/00; A47B 13/02; A47B 13/04; A47B 13/06; A47B 13/08; A47B 13/10; A47B 13/12; A47B 13/16; A47B 21/00; A47B 2200/0001; A47B 2200/0011; A47B 2200/002
See application file for complete search history.

(56) **References Cited**

U.S. PATENT DOCUMENTS

D165,584 S * 1/1952 Johnson D6/696
3,106,901 A * 10/1963 Locek F16B 12/48 108/110
D339,935 S * 10/1993 Giugiaro D6/692.3

D491,388 S * 6/2004 Muller D6/696.7
D527,929 S * 9/2006 Martin D6/650
D737,607 S * 9/2015 Vellozo Luz D6/690
D742,148 S * 11/2015 Fritz D6/696.7
D749,882 S * 2/2016 Garcia D6/692.6
D858,159 S * 9/2019 Versace F16B 12/48 D6/691.5

OTHER PUBLICATIONS

John Pomp, Photos, <https://www.facebook.com/johnpomp/photos>, May 18, 2018, pp. 1-3.
John Pomp, Photos, <https://www.facebook.com/johnpomp/photos>, Oct. 26, 2018, p. 1.
John Pomp, Photos, <https://www.facebook.com/johnpomp/photos>, Jan. 4, 2019, p. 1.

* cited by examiner

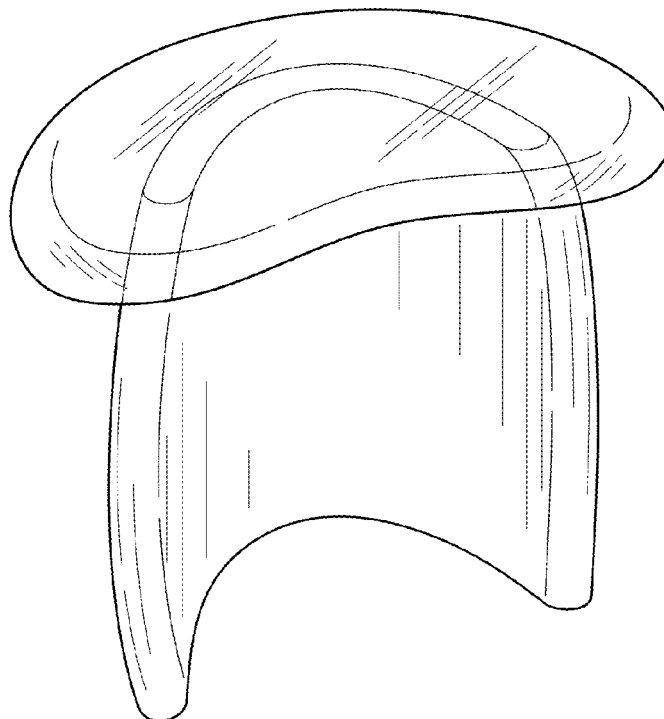
Primary Examiner — Mary Ann Calabrese
(74) *Attorney, Agent, or Firm* — Gottlieb, Rackman & Reisman, PC

(57) **CLAIM**
The ornamental design for a table, as shown and described.

DESCRIPTION

FIG. 1 is a perspective view of a table showing my new design;
FIG. 2 is a front elevational view of FIG. 1;
FIG. 3 is a rear elevational view of FIG. 1;
FIG. 4 is a left side elevational view of FIG. 1;
FIG. 5 is a right side elevational view of FIG. 1;
FIG. 6 is a top plan view of FIG. 1; and
FIG. 7 is a bottom plan view of FIG. 1.

1 Claim, 4 Drawing Sheets



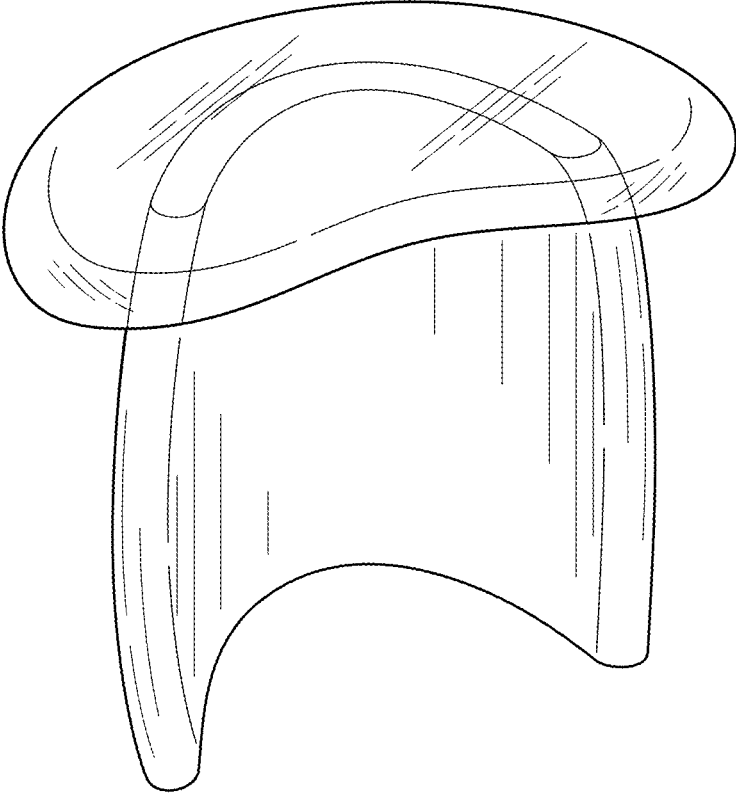


FIG. 1

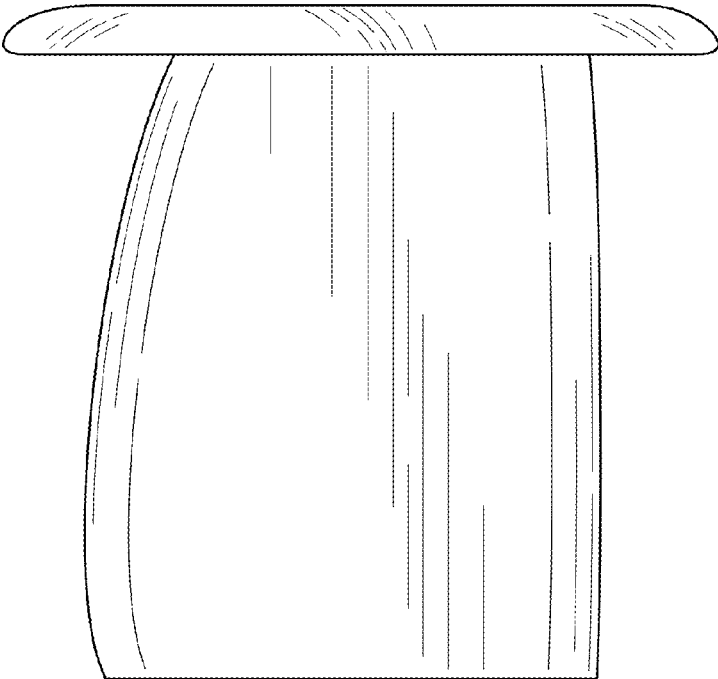


FIG. 2

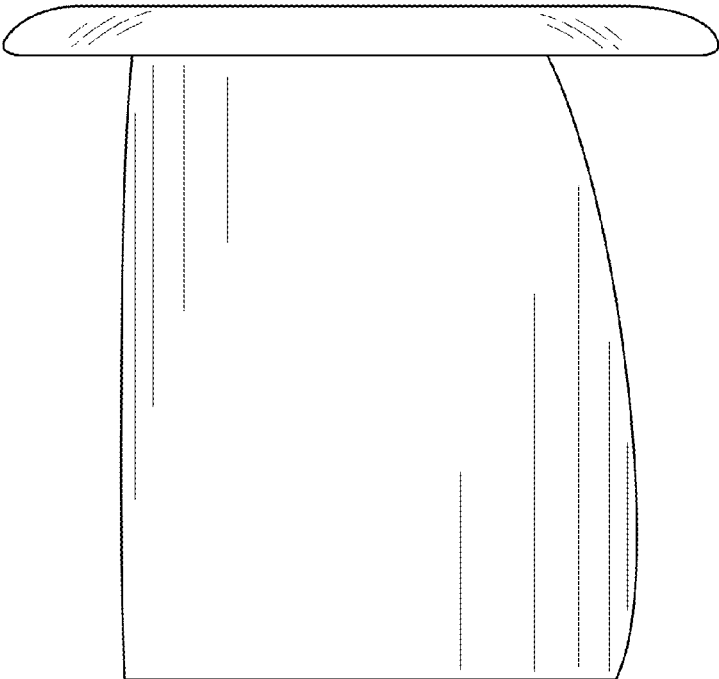


FIG. 3

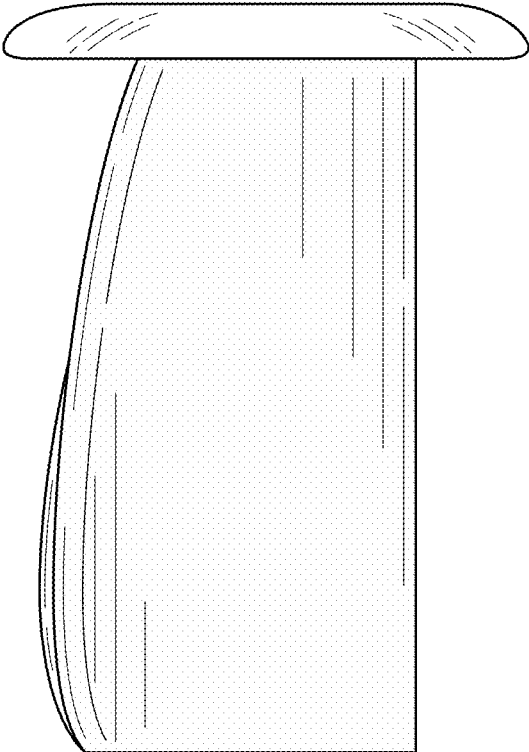


FIG. 4

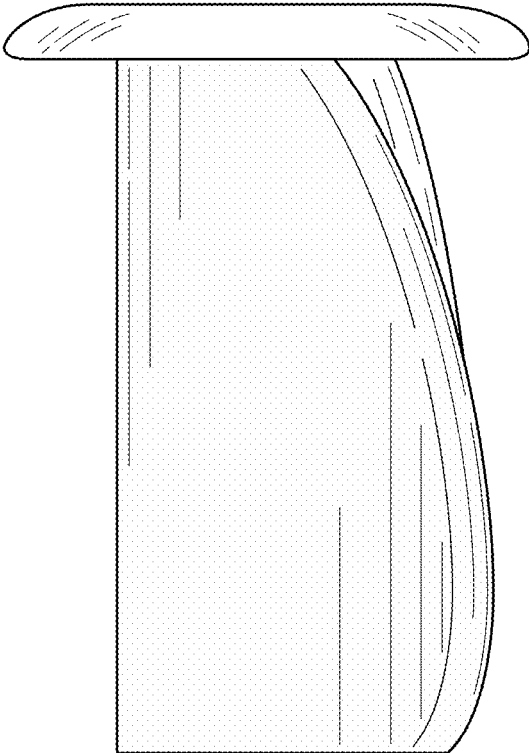


FIG. 5

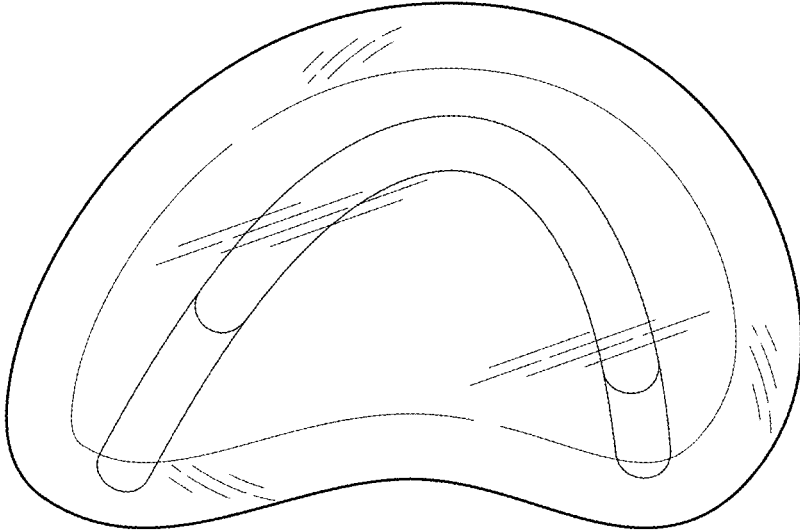


FIG. 6

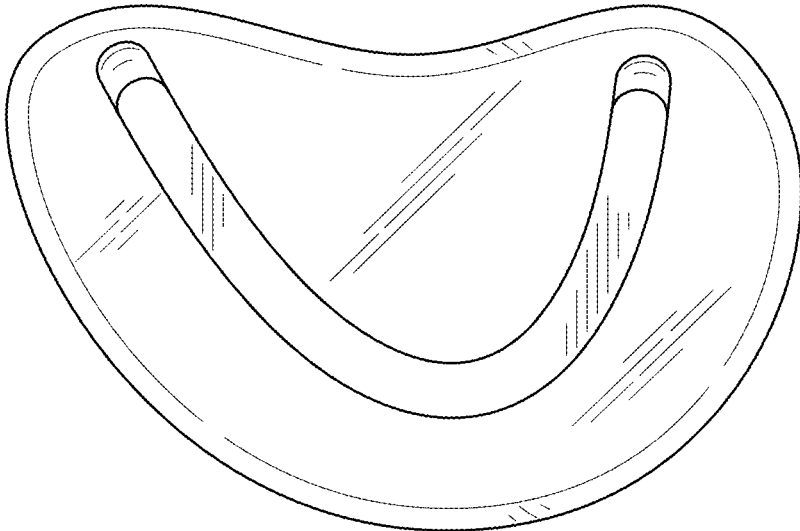


FIG. 7