



US00D867880S

(12) **United States Design Patent** (10) **Patent No.:** **US D867,880 S**
Sacchetti (45) **Date of Patent:** **** *Nov. 26, 2019**

- (54) **DRIP CHAMBER CAP**
- (71) Applicant: **ALCOR Scientific, Inc.**, Smithfield, RI (US)
- (72) Inventor: **Peter Sacchetti**, Attleboro, MA (US)
- (73) Assignee: **ALCOR Scientific, Inc.**, Smithfield, RI (US)
- (*) Notice: This patent is subject to a terminal disclaimer.
- (**) Term: **15 Years**
- (21) Appl. No.: **29/625,453**
- (22) Filed: **Nov. 9, 2017**
- (51) **LOC (12) Cl.** **09-07**
- (52) **U.S. Cl.**
USPC **D9/440**; D9/439; D24/112
- (58) **Field of Classification Search**
USPC D7/392, 392.1, 396.1, 396.2, 397, 398;
D9/434-436, 439, 443, 447, 449, 454,
D9/499, 440; D24/108, 112, 121, 123,
D24/127, 130, 207, 230
CPC B65D 47/06; B65D 39/00; B65D 39/08;
B65D 39/12; B65D 39/02
See application file for complete search history.

(56) **References Cited**

U.S. PATENT DOCUMENTS

| | | | | |
|--------------|---------|------------|-------|---------|
| D33,101 S * | 8/1900 | Corcoran | | D9/440 |
| D34,955 S * | 8/1901 | Thatcher | | D9/439 |
| D160,485 S * | 10/1950 | Detzel | | D9/439 |
| D235,343 S * | 6/1975 | Otto | | D23/262 |
| D297,046 S * | 8/1988 | Dignam | | D24/112 |
| D355,119 S * | 2/1995 | Zimmermann | | D9/440 |
| D359,683 S * | 6/1995 | Beach | | D9/434 |
| D453,472 S * | 2/2002 | Kwong | | D9/447 |
| D484,801 S * | 1/2004 | Pierce | | D9/440 |
| D501,359 S * | 2/2005 | Bodum | | D7/392 |

| | | | | |
|--------------|---------|-----------|-------|---------|
| D551,075 S * | 9/2007 | Puller | | D9/447 |
| D688,127 S * | 8/2013 | Agassi | | D9/440 |
| D690,596 S * | 10/2013 | Logue | | D9/447 |
| D695,114 S * | 12/2013 | McDonald | | D9/440 |
| D708,945 S * | 7/2014 | Jetmar | | D9/439 |
| D732,664 S * | 6/2015 | Woehr | | D24/130 |
| D739,006 S * | 9/2015 | Tominaga | | D24/108 |
| D748,476 S * | 2/2016 | Lakstins | | D9/447 |
| D768,489 S * | 10/2016 | Indruk | | D9/447 |
| D818,360 S * | 5/2018 | Oates, II | | D9/435 |
| D828,752 S * | 9/2018 | Ploeger | | D9/435 |
| D844,236 S * | 3/2019 | Tidnam | | D27/169 |

* cited by examiner

Primary Examiner — George D. Kirschbaum
Assistant Examiner — Darcey E Gottschalk
(74) *Attorney, Agent, or Firm* — Adler Pollock & Sheehan P.C

(57) **CLAIM**

The ornamental design for a drip chamber cap, as shown and described.

DESCRIPTION

The patent or application contains at least one drawings executed in color photograph. Copies of this patent or patent application publication with color photograph(s) will be provided by the Office upon request and payment of the necessary fee.

FIG. 1 is a top perspective view of a drip chamber cap in accordance with the subject disclosure.

FIG. 2 is a front view thereof.

FIG. 3 is a back view thereof.

FIG. 4 is a right side view thereof.

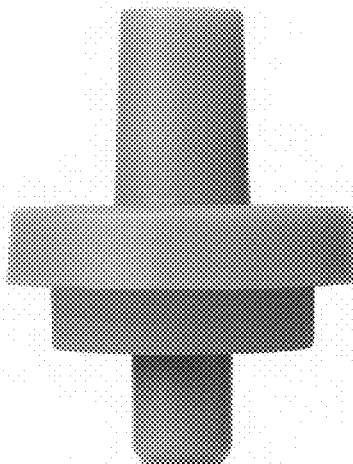
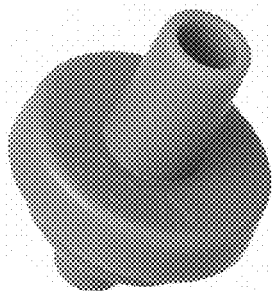
FIG. 5 is a left side view thereof.

FIG. 6 is a top view thereof; and,

FIG. 7 is a bottom view thereof.

In the drawings, the broken lines show portions of a drip chamber cap that form no part of the claim.

1 Claim, 7 Drawing Sheets
(7 of 7 Drawing Sheet(s) Filed in Color)



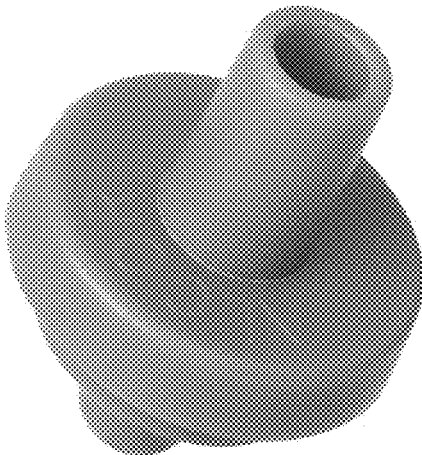


FIG. 1

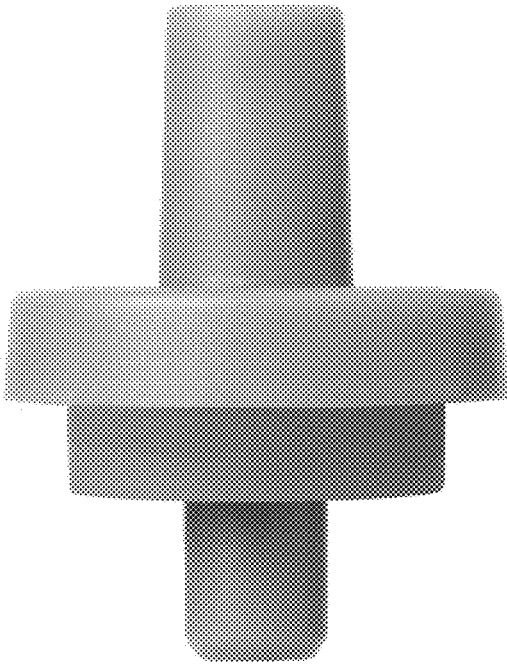


FIG. 2

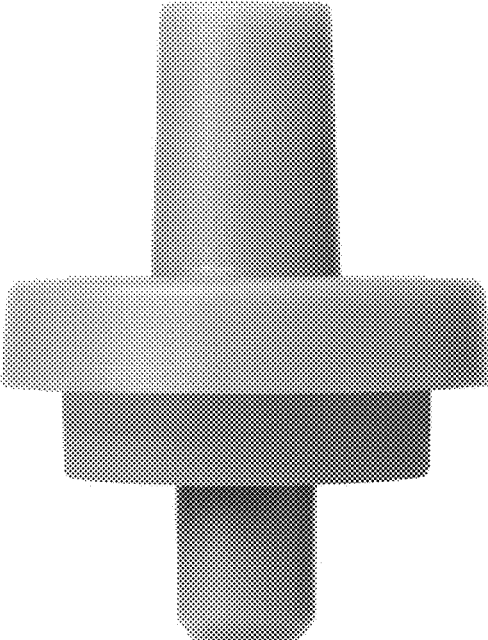


FIG. 3

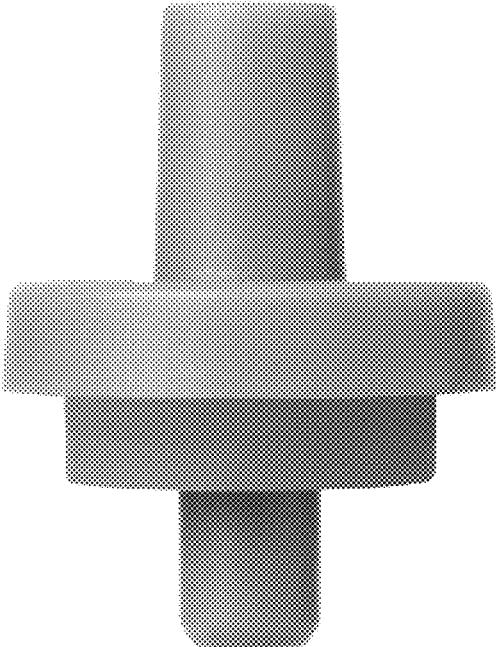


FIG. 4

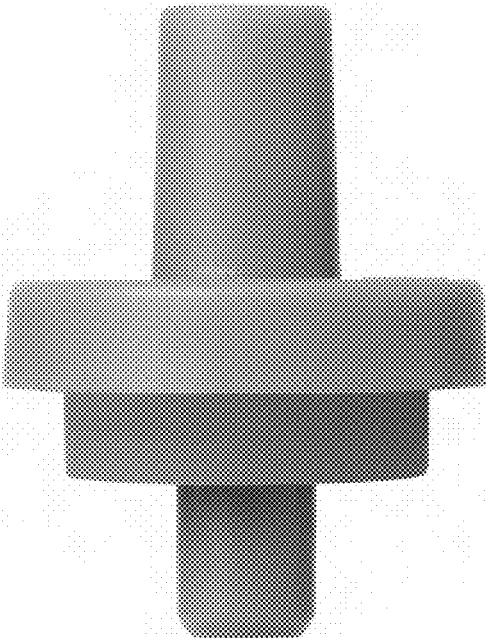


FIG. 5

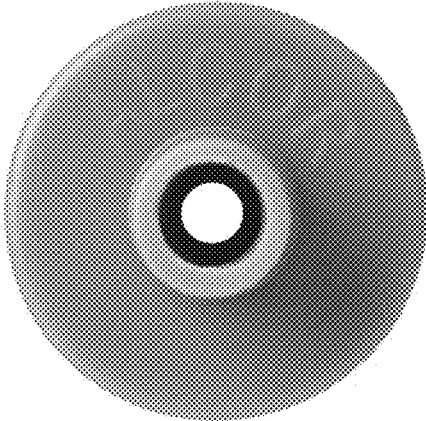


FIG. 6

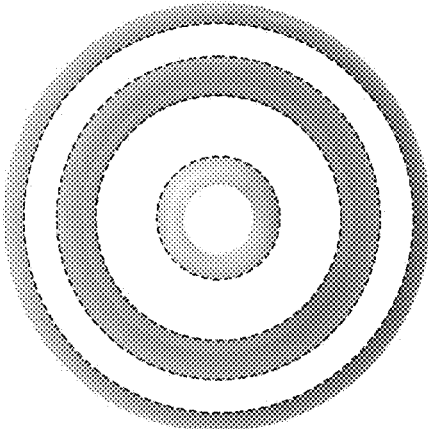


FIG. 7