



US0D1045275S

(12) **United States Design Patent**
Park et al.

(10) **Patent No.:** **US D1,045,275 S**

(45) **Date of Patent:** **** Oct. 1, 2024**

- (54) **ELECTRIC WASHING MACHINE**
- (71) Applicant: **LG ELECTRONICS INC.**, Seoul (KR)
- (72) Inventors: **Kyutae Park**, Seoul (KR); **Hoil Jeon**, Seoul (KR); **Youngsoo Ha**, Seoul (KR); **Yeji Um**, Seoul (KR)
- (73) Assignee: **LG ELECTRONICS INC.**, Seoul (KR)

D648,907	S	*	11/2011	Jeon	D32/6
D663,908	S	*	7/2012	Jeon	D32/6
D703,883	S	*	4/2014	Ha	D32/6
D708,799	S	*	7/2014	Choi	D32/6
D730,596	S	*	5/2015	Kim	D32/6
D753,353	S	*	4/2016	Kim	D32/6

(Continued)

FOREIGN PATENT DOCUMENTS

CA	111651	*	8/2007
JP	D1689063	*	10/2021

OTHER PUBLICATIONS

Best Front-Load Washing Machines of 2023, available in <https://reviewed.usatoday.com>, announced Aug. 21, 2023 [online], [site visited Sep. 18, 2023], Internet URL: <https://www.usnews.com/360-reviews/home-goods/washing-machines/best-front-load-washing-machines> (Year: 2023).*

Primary Examiner — Jennifer Rivard
Assistant Examiner — Jennylou M Binas
(74) *Attorney, Agent, or Firm* — Birch, Stewart, Kolasch & Birch, LLP

(**) Term: **15 Years**

(21) Appl. No.: **29/834,837**

(22) Filed: **Apr. 14, 2022**

(30) **Foreign Application Priority Data**

Oct. 15, 2021 (KR) 30-2021-0048932

(51) **LOC (14) Cl.** **15-05**

(52) **U.S. Cl.**
USPC **D32/6**

(58) **Field of Classification Search**
USPC D32/1, 5-6, 8, 10, 25, 28; D21/526; D99/28, 33, 43
CPC D06F 39/12; D06F 39/00; D06F 39/14; D06F 1/00; D06F 2103/24; D06F 25/00; D06F 35/005; D06F 34/32; D06F 33/00
See application file for complete search history.

(57) **CLAIM**

The ornamental design for an electric washing machine, as shown and described.

DESCRIPTION

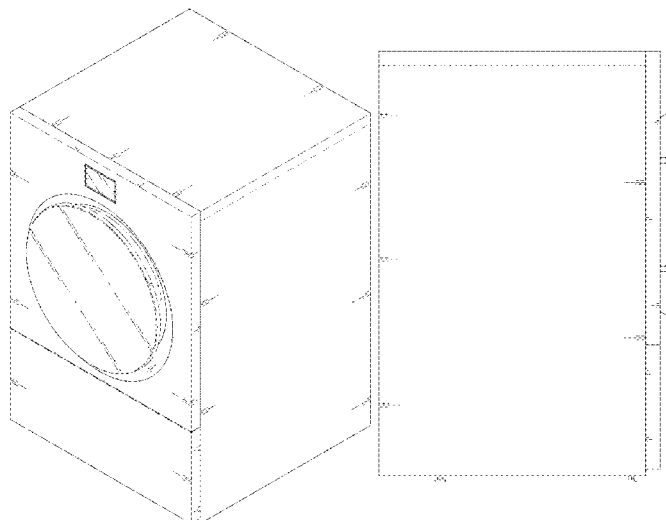
FIG. 1 is a front perspective view of the electric washing machine showing our new design;
FIG. 2 is a front view thereof;
FIG. 3 is a back view thereof;
FIG. 4 is a left side view thereof;
FIG. 5 is a right side view thereof;
FIG. 6 is a top plan view thereof; and,
FIG. 7 is a bottom plan view thereof.
The broken lines depict portions of the electric washing machine that form no part of the claimed design.

1 Claim, 7 Drawing Sheets

(56) **References Cited**

U.S. PATENT DOCUMENTS

6,671,978	B1	*	1/2004	McGowan	D06F 95/00
						68/19.2
D536,144	S	*	1/2007	Seo	D32/6
D537,577	S	*	2/2007	Nam	D32/6
D608,062	S	*	1/2010	Jeong	D32/6
D616,163	S	*	5/2010	Nam	D32/25
D622,916	S	*	8/2010	Lee	D32/6
D635,313	S	*	3/2011	Jeon	D32/6
D642,752	S	*	8/2011	Kim	D32/6



(56)

References Cited

U.S. PATENT DOCUMENTS

9,428,855	B2 *	8/2016	Park	D06F 34/34
D773,757	S *	12/2016	Hwang	D32/6
9,771,676	B2 *	9/2017	Huang	D06F 39/12
D806,335	S *	12/2017	Yoon	D32/28
D833,093	S *	11/2018	Chung	D32/25
D838,419	S *	1/2019	Ha	D32/6
D870,990	S *	12/2019	Yoon	D32/8
D871,697	S *	12/2019	Yoon	D32/28
D915,695	S *	4/2021	Wu	D32/6
11,186,940	B2 *	11/2021	Kim	D06F 23/02
11,713,539	B2 *	8/2023	Brisjö	D06F 58/206 34/90
D1,002,974	S *	10/2023	Chee	D32/6
D1,004,234	S *	11/2023	Beaudreault	D32/6
2006/0081015	A1 *	4/2006	Rizzetto	D06F 34/34 68/3 R
2009/0223255	A1 *	9/2009	Kim	D06F 34/32 68/12.23
2012/0036900	A1 *	2/2012	Hong	D06F 34/32 68/139
2013/0014546	A1 *	1/2013	Kobayashi	D06F 39/12 68/212
2020/0378055	A1 *	12/2020	Hato	D06F 58/22
2021/0207314	A1 *	7/2021	Nilsson	D06F 58/02
2022/0213632	A1 *	7/2022	Seo	G06F 3/167
2023/0130918	A1 *	4/2023	Vaive	D06F 58/04 68/13 R
2023/0407549	A1 *	12/2023	Kim	D06F 58/06
2023/0416965	A1 *	12/2023	Oh	D06F 39/14

* cited by examiner

FIG. 1

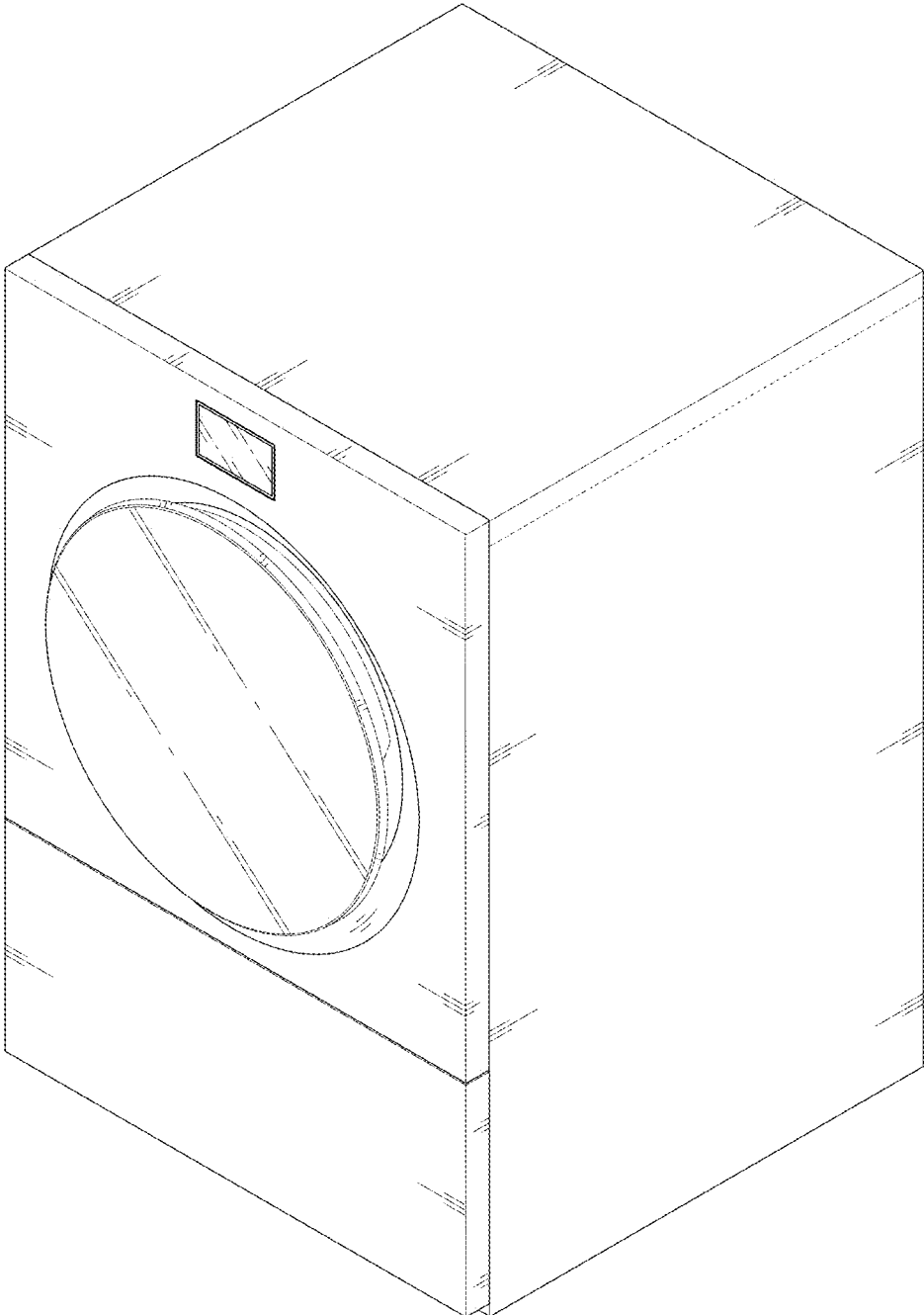


FIG. 2

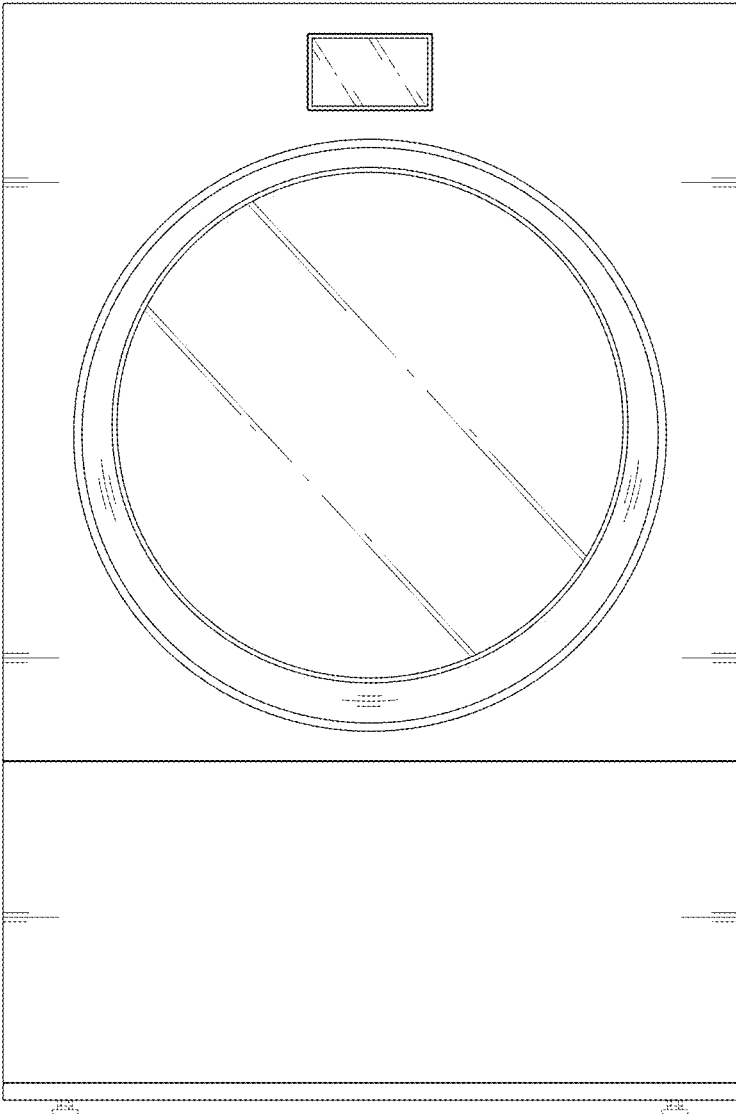


FIG. 3

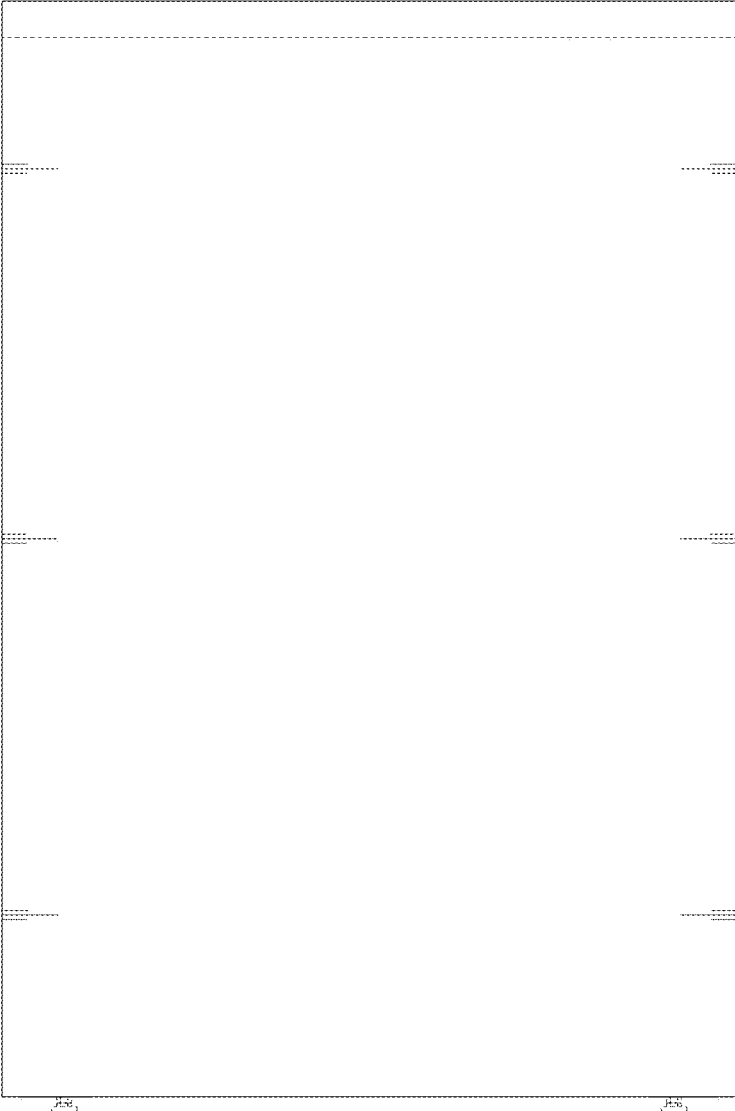


FIG. 4

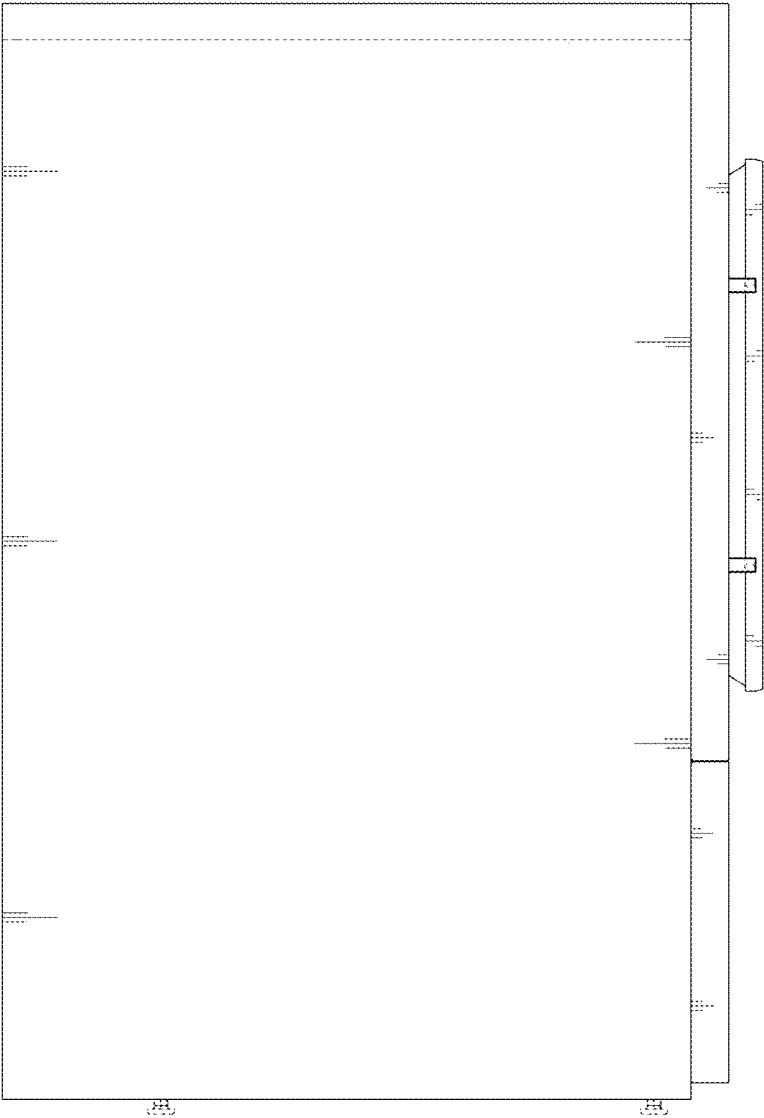


FIG. 5

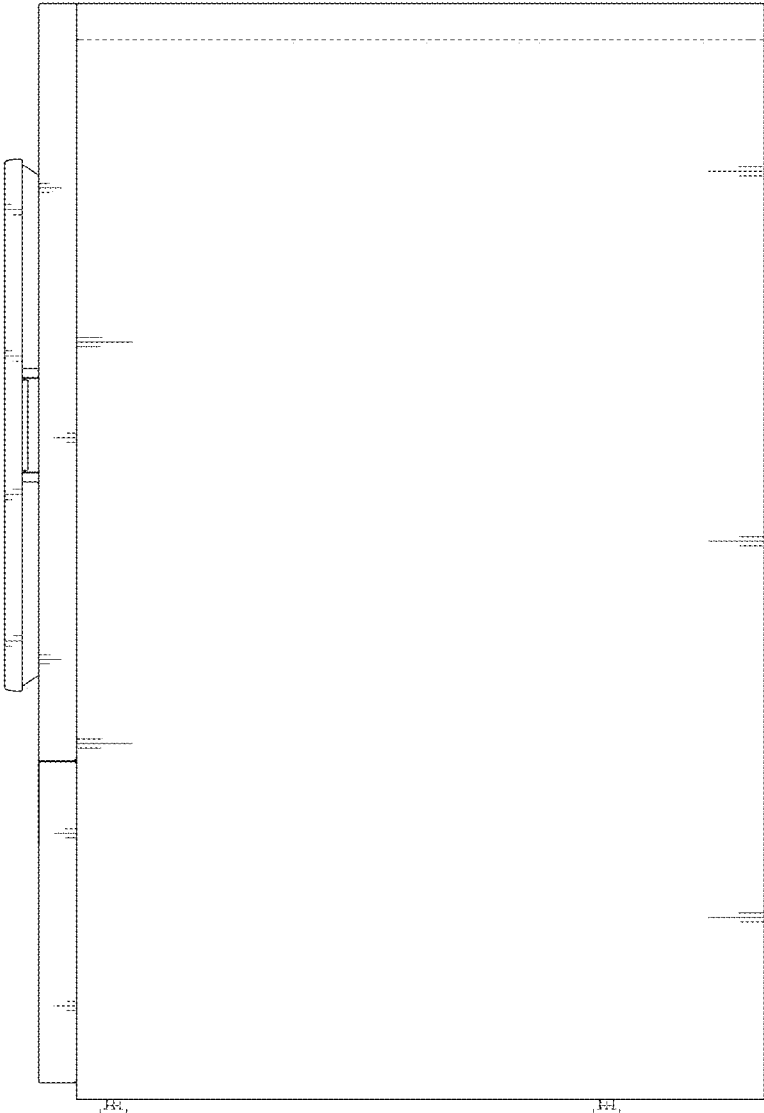


FIG. 6

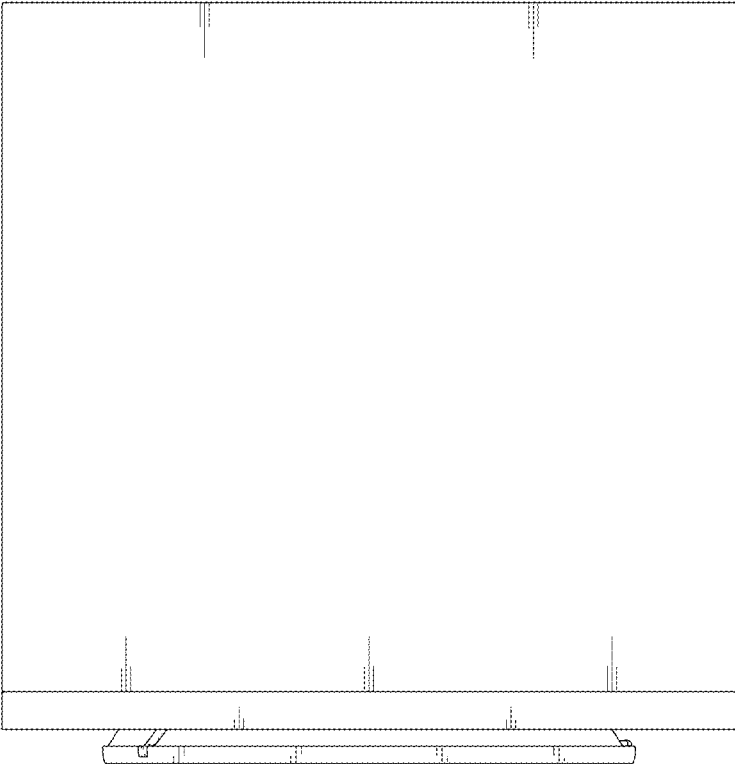


FIG. 7

