



US00D449877B1

(12) **United States Design Patent**
Delmenico et al.

(10) **Patent No.:** **US D449,877 S**

(45) **Date of Patent:** **** Oct. 30, 2001**

(54) **HUMIDIFIER**

D. 355,248 * 2/1995 Wang et al. D23/356

(75) Inventors: **Peter R. Delmenico**, Evanston;
Jeremiah P. O’Leary, Chicago; **Scott H. Wilson**, Evanston; **Martin Thaler**, Chicago, all of IL (US)

* cited by examiner

Primary Examiner—Lisa Lichtenstein
(74) *Attorney, Agent, or Firm*—Kramer, Levin, Naftalis & Frankel LLP

(73) Assignee: **Sunbeam Products, Inc.**, Boca Raton, FL (US)

(57) **CLAIM**

(**) Term: **14 Years**

The ornamental design for a humidifier, as shown and described.

(21) Appl. No.: **29/116,953**

DESCRIPTION

(22) Filed: **Jan. 13, 2000**

(51) **LOC (7) Cl.** **23-04**

(52) **U.S. Cl.** **D23/356**

(58) **Field of Search** D23/356-363;
422/120, 123; 392/403, 406, 394; 261/104,
107

FIG. 1 is a front perspective view showing the new design; FIG. 2 is a front elevation view thereof, the opposite side being a mirror image;

FIG. 3 is a top plan view thereof;

FIG. 4 is a bottom plan view thereof;

FIG. 5 is a right side elevation view thereof; and,

FIG. 6 is a left side elevation view thereof.

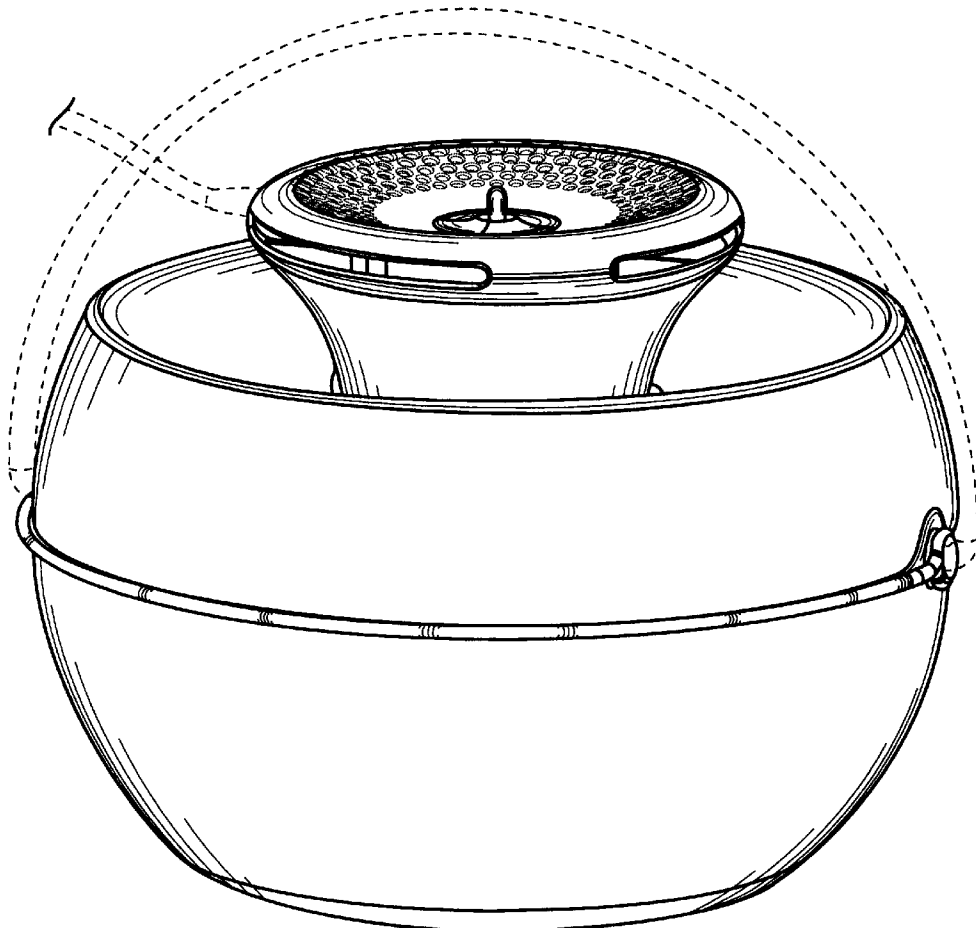
The broken line showing of environmental structure in FIGS. 1-6 is for illustrative purposes only and forms no part of the claimed design.

(56) **References Cited**

U.S. PATENT DOCUMENTS

D. 98,716 * 2/1936 Feldermann D23/356

1 Claim, 6 Drawing Sheets



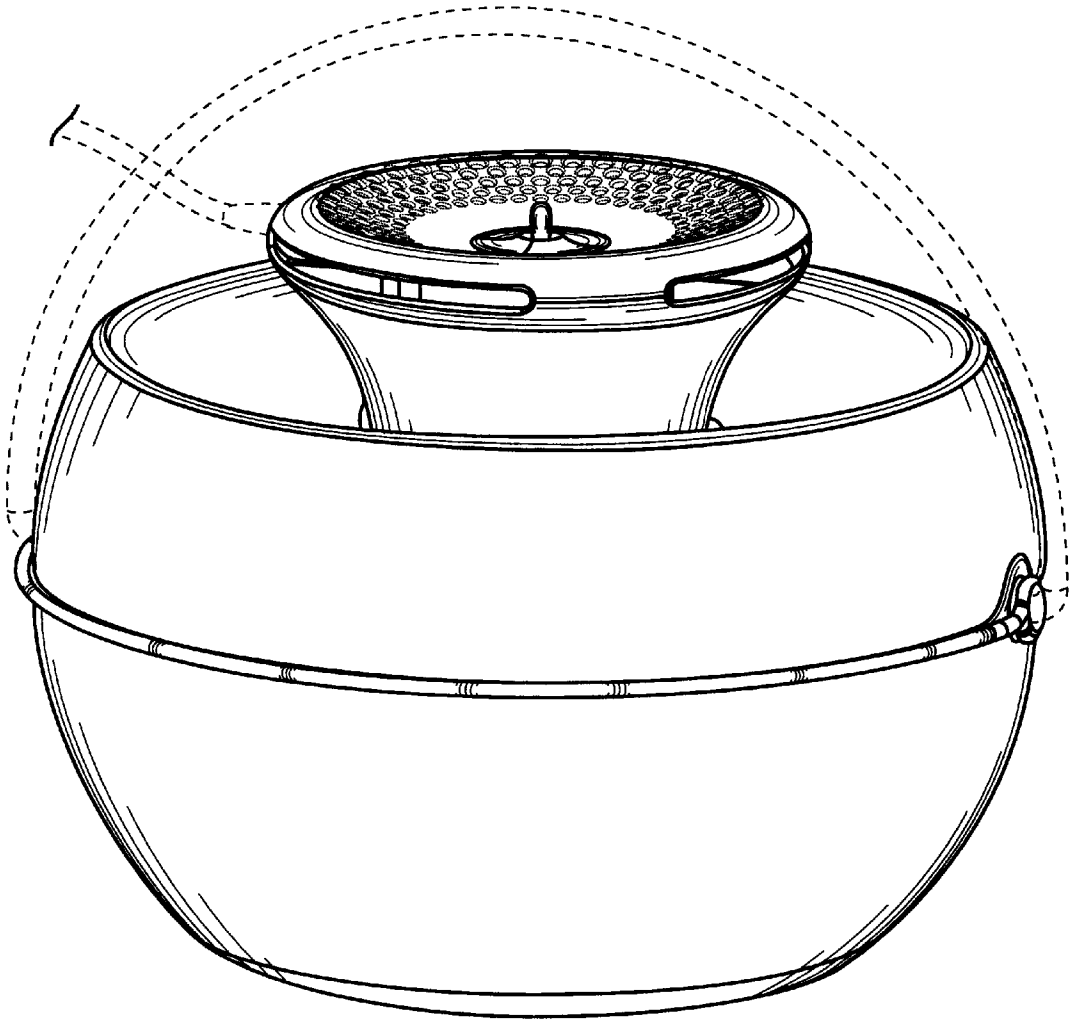


FIG. 1

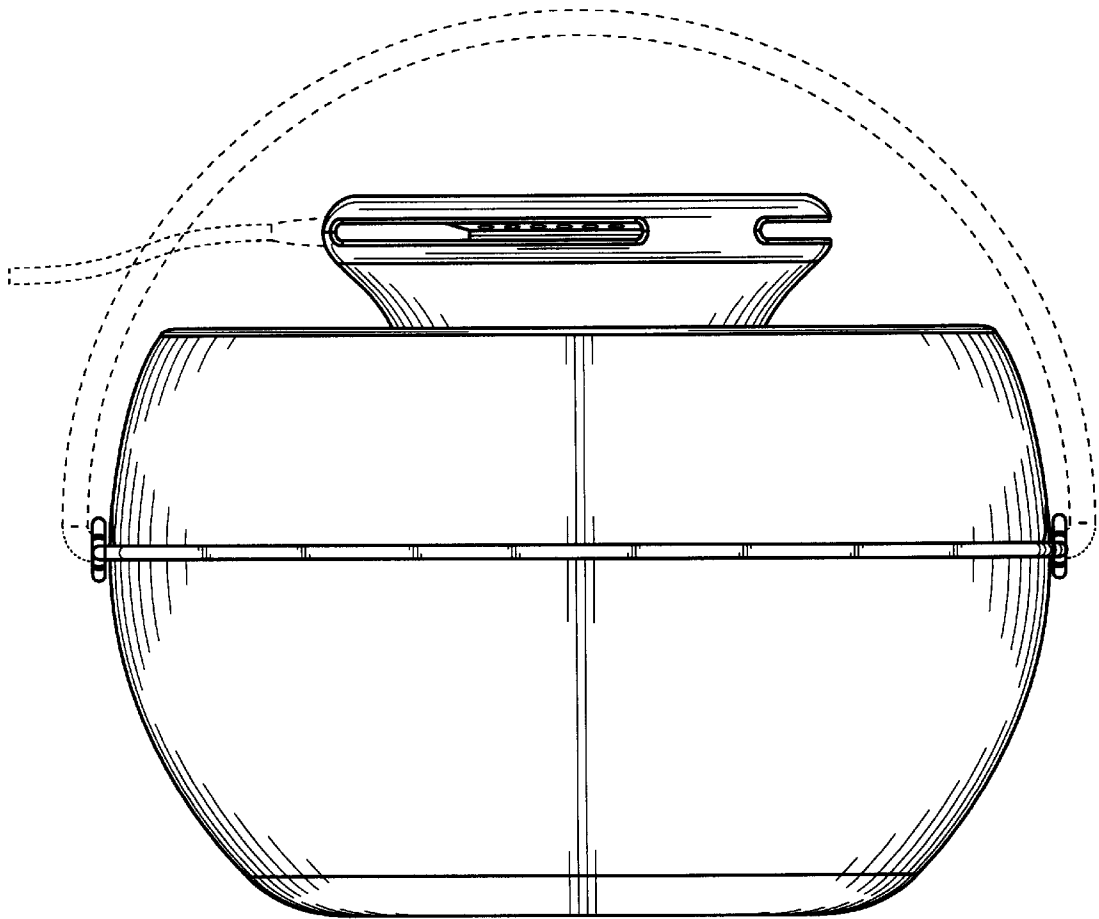


FIG. 2

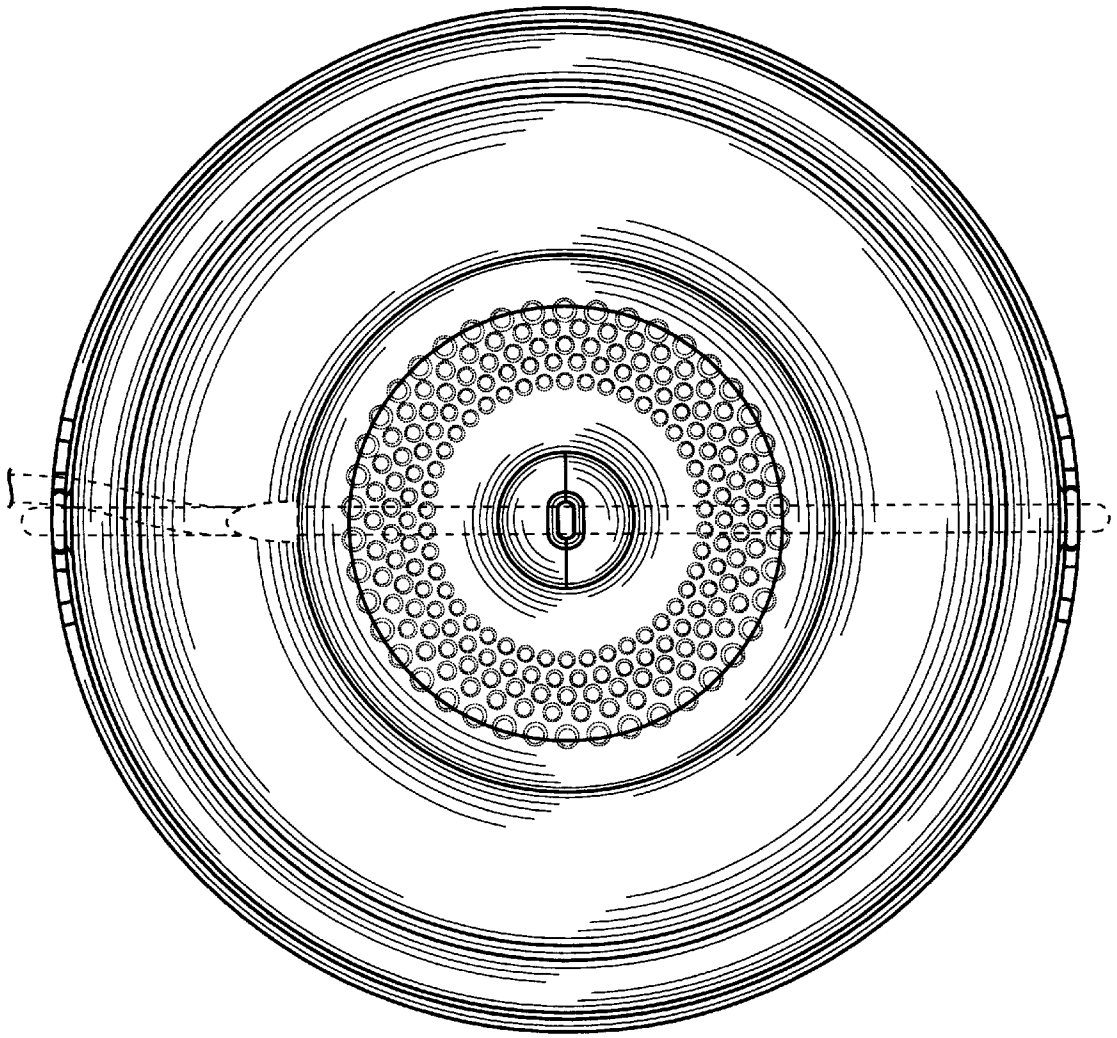


FIG. 3

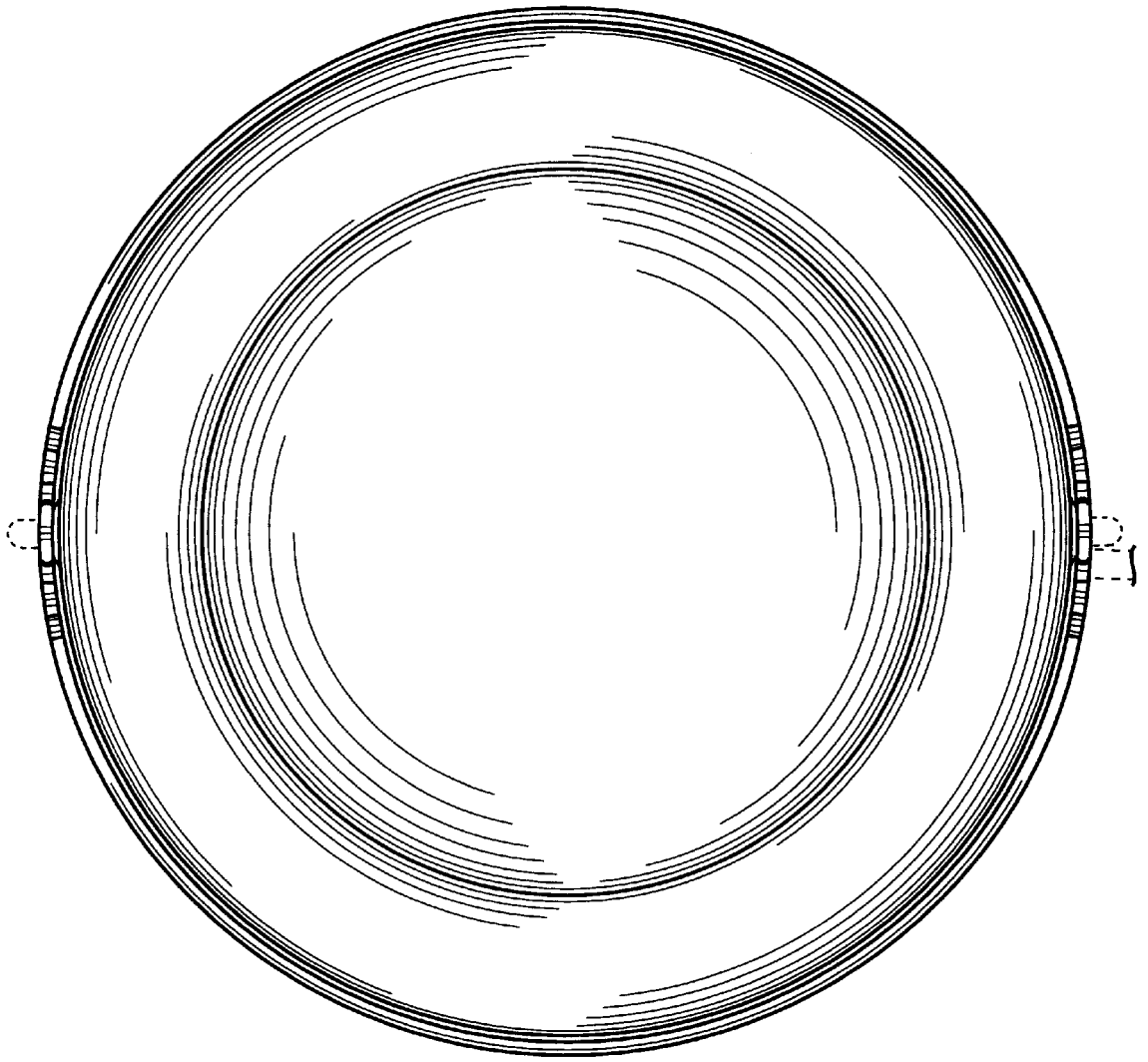


FIG. 4

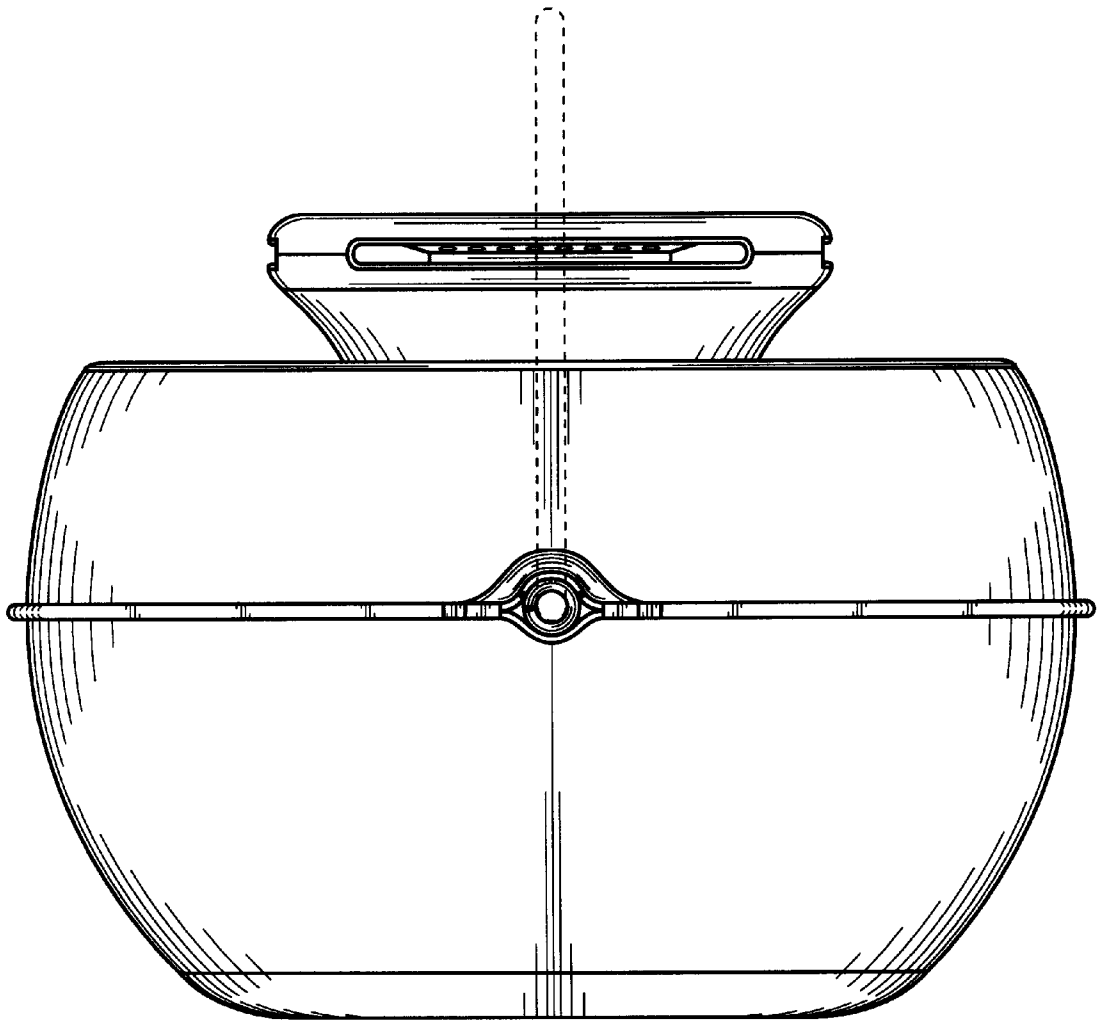


FIG. 5

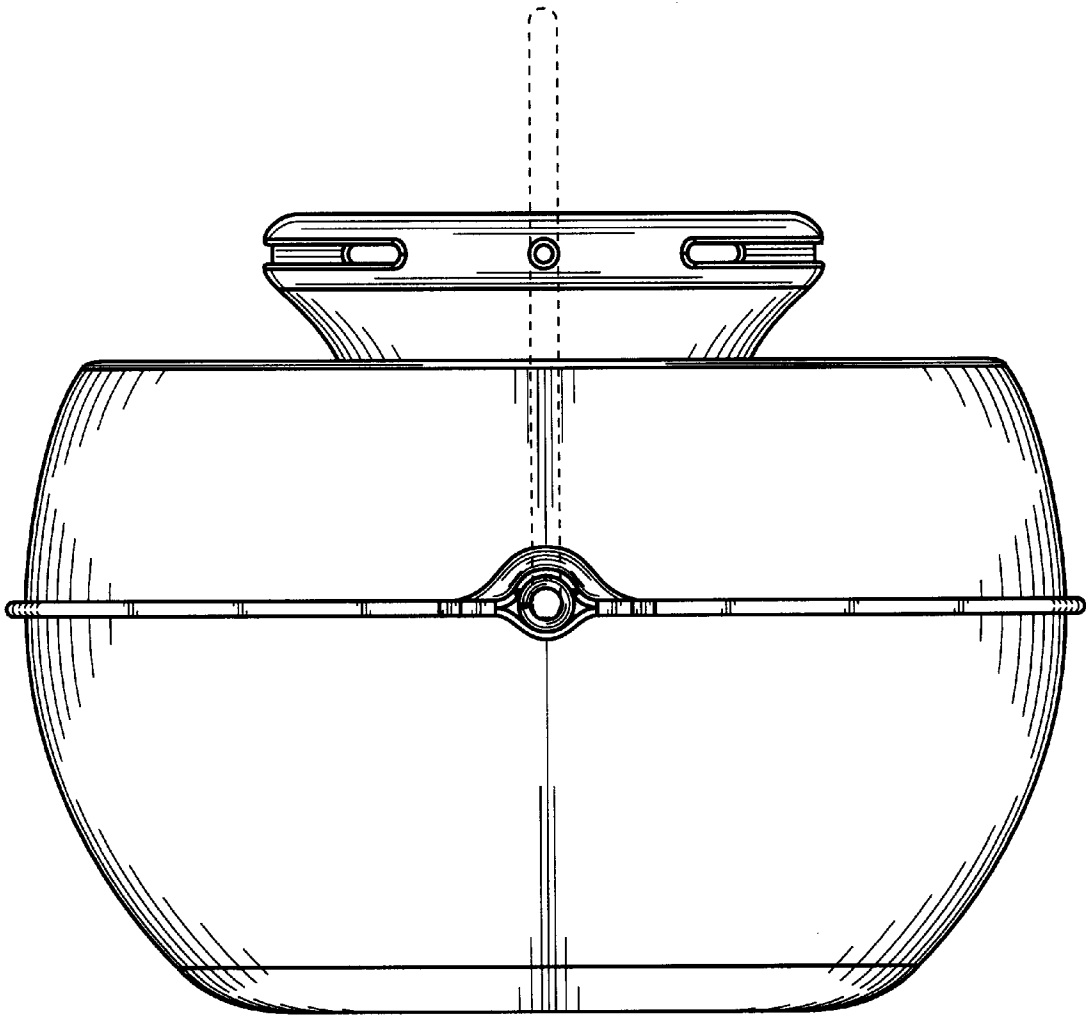


FIG. 6