



US00D753098S

(12) **United States Design Patent**
Smith et al.

(10) **Patent No.:** **US D753,098 S**

(45) **Date of Patent:** **** Apr. 5, 2016**

(54) **ACOUSTIC COUPLER**

(71) Applicant: **SureFire, LLC**, Fountain Valley, CA
(US)

(72) Inventors: **Richard C. Smith**, Costa Mesa, CA
(US); **Diann Y. Smith**, Costa Mesa, CA
(US); **Alfredo Soria**, Corona, CA (US)

(73) Assignee: **SureFire, LLC**, Fountain Valley, CA
(US)

(**) Term: **14 Years**

(21) Appl. No.: **29/495,813**

(22) Filed: **Jul. 3, 2014**

(51) **LOC (10) Cl.** **14-03**

(52) **U.S. Cl.**

USPC **D14/242**

(58) **Field of Classification Search**

USPC D14/242, 240, 223, 205, 435.1, 357,
D14/358, 140-140.9, 155, 137, 139, 243,
D14/348, 349, 351, 354, 355, 138 AD

CPC H04L 12/00; H03K 17/00; H04W 88/00;
H04W 88/005; H04W 88/02; H04W 88/08;
H04W 88/085; H04W 88/10; H04W 88/12;
H04W 88/14; H04B 1/38

See application file for complete search history.

(56) **References Cited**

U.S. PATENT DOCUMENTS

2,584,402	A	2/1952	Volkman	
D227,378	S *	6/1973	Kennedy	D14/242
4,118,606	A	10/1978	Larkin	
D273,111	S *	3/1984	Hirata et al.	D14/330
5,459,290	A	10/1995	Yamagishi	
5,781,638	A	7/1998	Hosaka et al.	
D430,145	S	8/2000	Boyden et al.	
D449,295	S	10/2001	Smith et al.	
D461,793	S *	8/2002	Brumitt et al.	D14/223

D489,058	S *	4/2004	Ma et al.	D14/240
D542,282	S	5/2007	Yoshiyama	
D543,972	S	6/2007	Taylor	
D563,945	S	3/2008	Johns et al.	
D575,278	S	8/2008	Guccione et al.	
D587,268	S *	2/2009	Hershey et al.	D14/358
D592,213	S *	5/2009	Hershey et al.	D14/358
D645,458	S	9/2011	Silvestri et al.	
D653,244	S	1/2012	Birger	
D657,347	S	4/2012	Chung et al.	
D662,915	S	7/2012	Halkosaari et al.	

(Continued)

OTHER PUBLICATIONS

U.S. Appl. No. 29/453,155, filed Apr. 25, 2013, Smith et al., 12 pages.
(Continued)

Primary Examiner — Bridget L Eland

(74) *Attorney, Agent, or Firm* — Haynes and Boone, LLP

(57) **CLAIM**

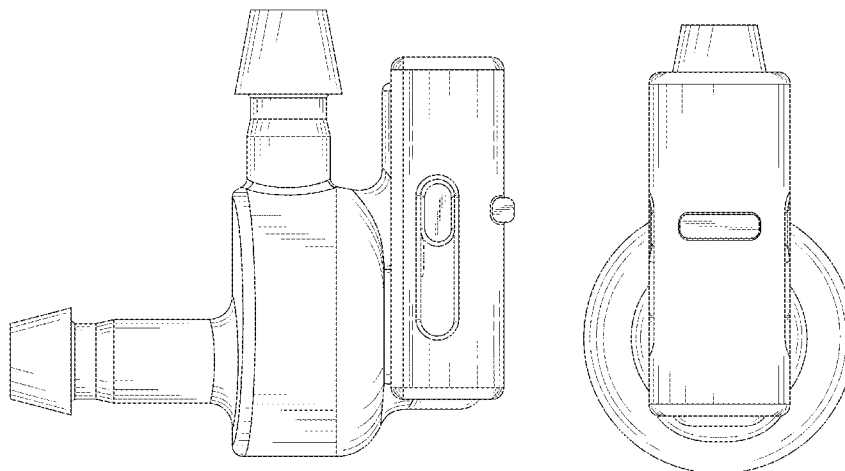
The ornamental design for an acoustic coupler, as shown and described.

DESCRIPTION

FIG. 1 is a front perspective view of an acoustic coupler showing our new design;
FIG. 2 is a rear perspective view thereof;
FIG. 3 is a left side elevational view thereof;
FIG. 4 is a right side elevational view thereof;
FIG. 5 is a top plan view thereof;
FIG. 6 is a bottom plan view thereof;
FIG. 7 is a front side elevational view thereof; and
FIG. 8 is a rear side elevational view thereof; and,
FIG. 9 is a right side elevational view of the acoustic coupler attached to an example earpiece and an example cable assembly.

The broken lines in the drawings illustrate environmental features and form no part of the claimed design.

1 Claim, 9 Drawing Sheets



(56)

References Cited

U.S. PATENT DOCUMENTS

D681,002 S 4/2013 Ham et al.
D691,105 S 10/2013 Ito et al.
RE44,672 E 12/2013 Yang et al.
D695,276 S 12/2013 Chee
D695,720 S 12/2013 Chee
D700,592 S 3/2014 Boschung et al.
D701,195 S 3/2014 Katsumata

D705,758 S 5/2014 Drambarean
D720,730 S * 1/2015 Smith et al. D14/242
D735,180 S * 7/2015 Smith et al. D14/242
2002/0096391 A1 7/2002 Smith et al.
2008/0253605 A1 10/2008 Smith

OTHER PUBLICATIONS

U.S. Appl. No. 29/488,441, filed Apr. 18, 2014, Smith et al., 21 pages.

* cited by examiner

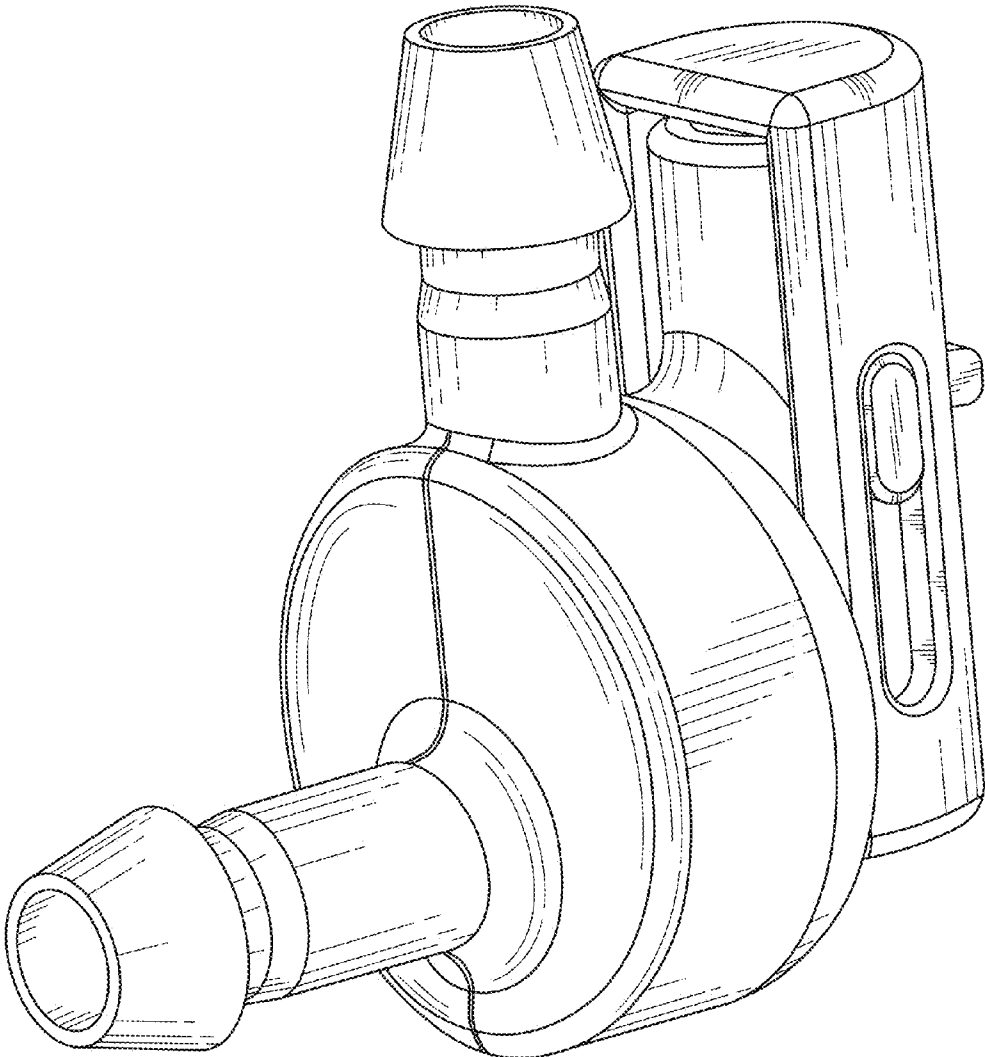


FIG. 1

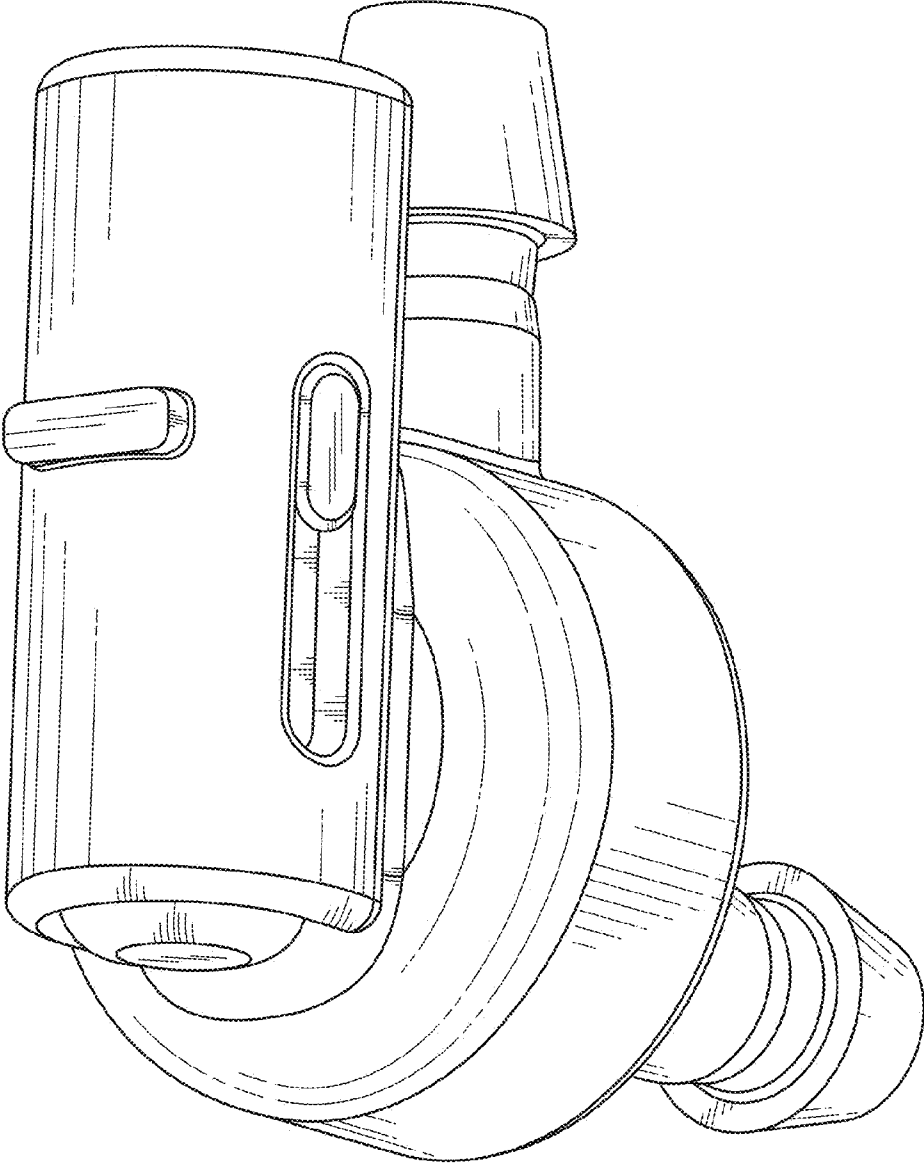


FIG. 2

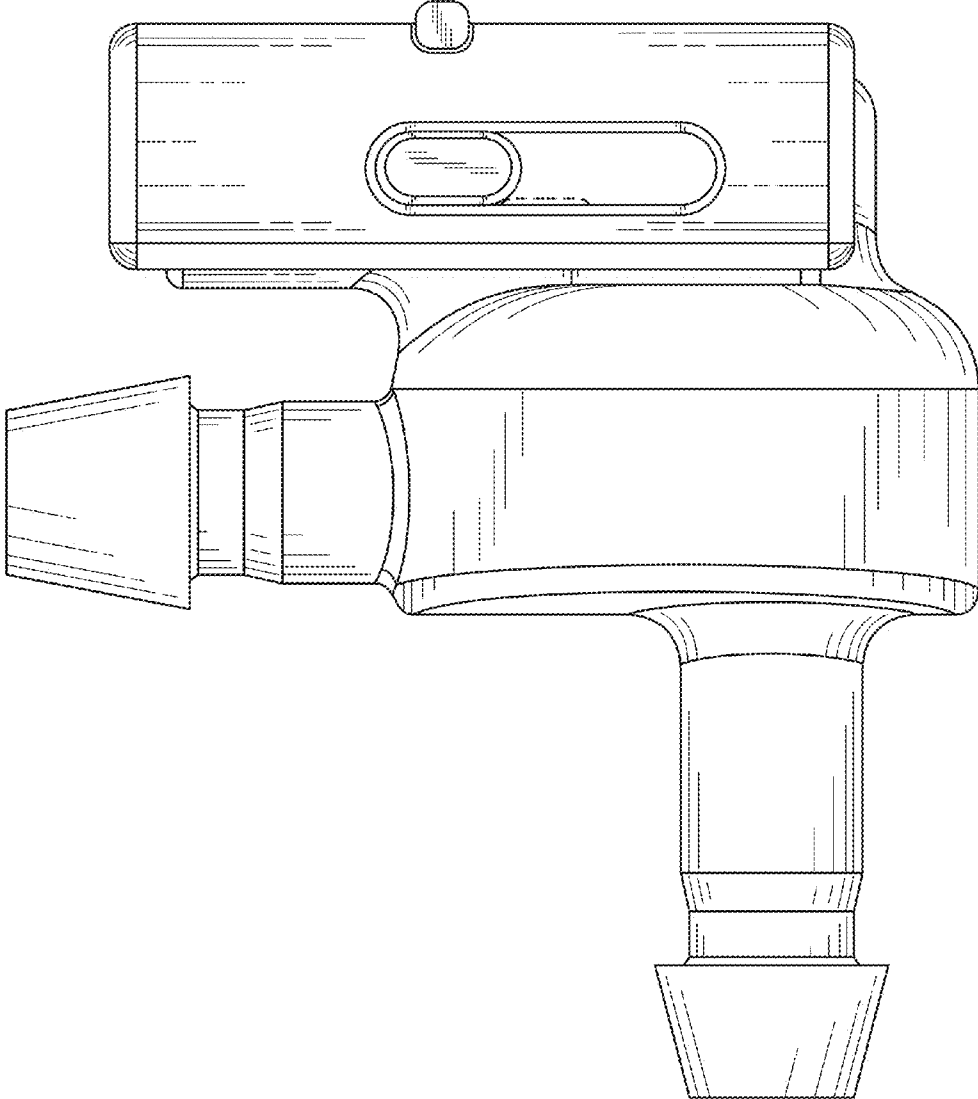


FIG. 3

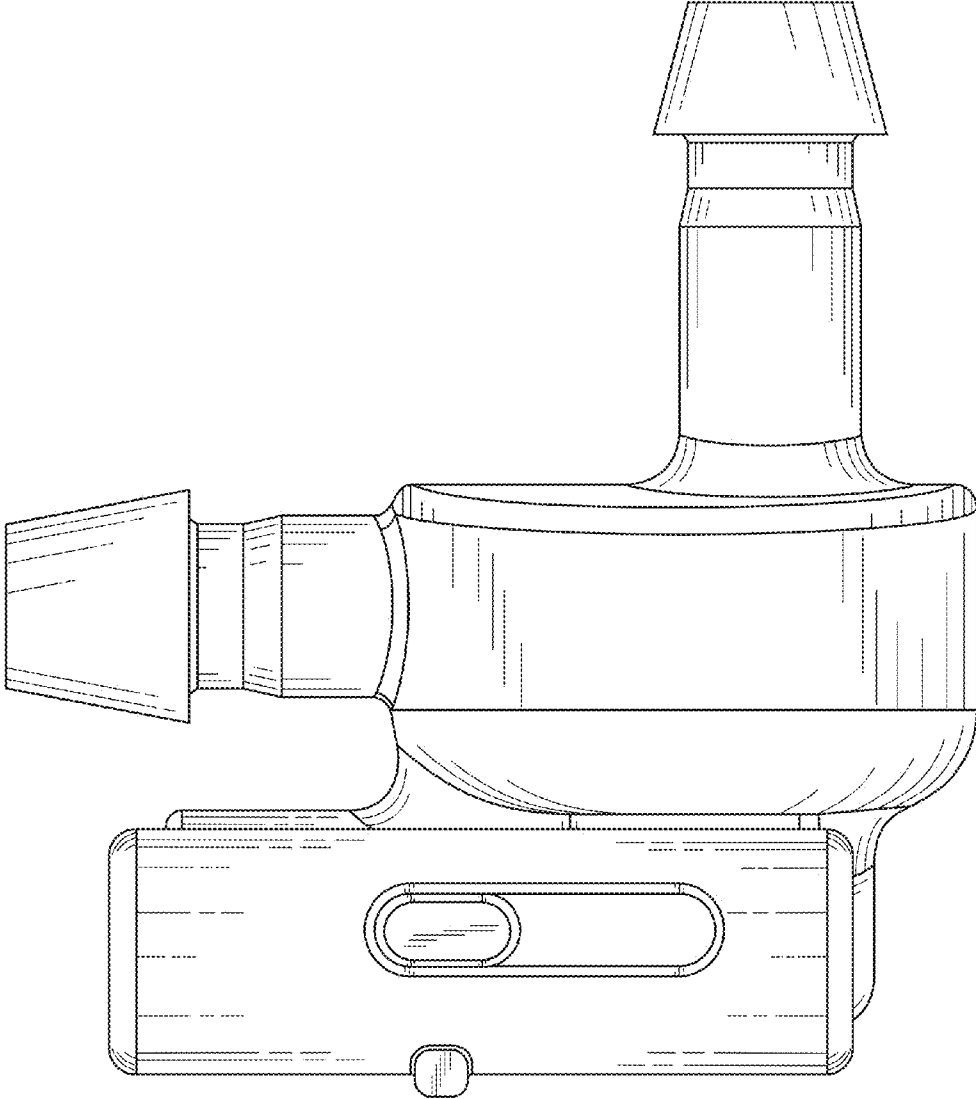


FIG. 4

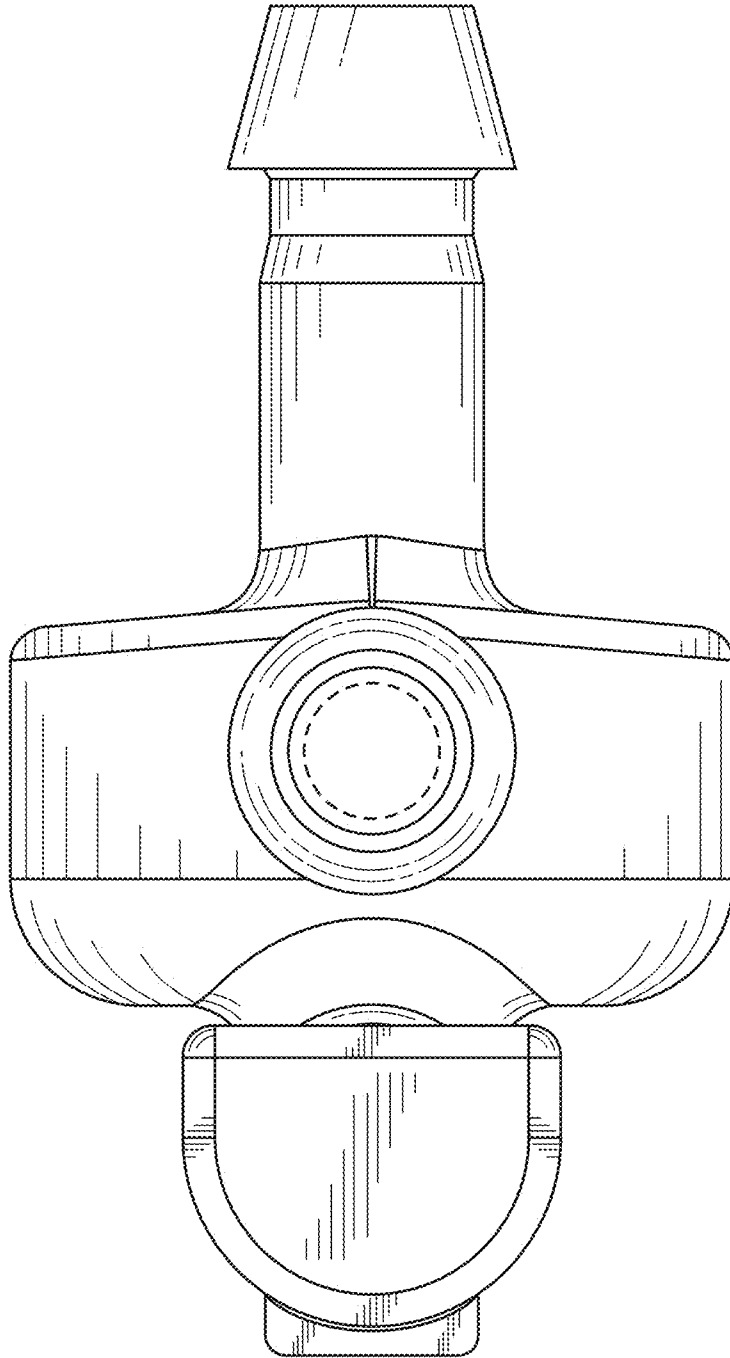


FIG. 5

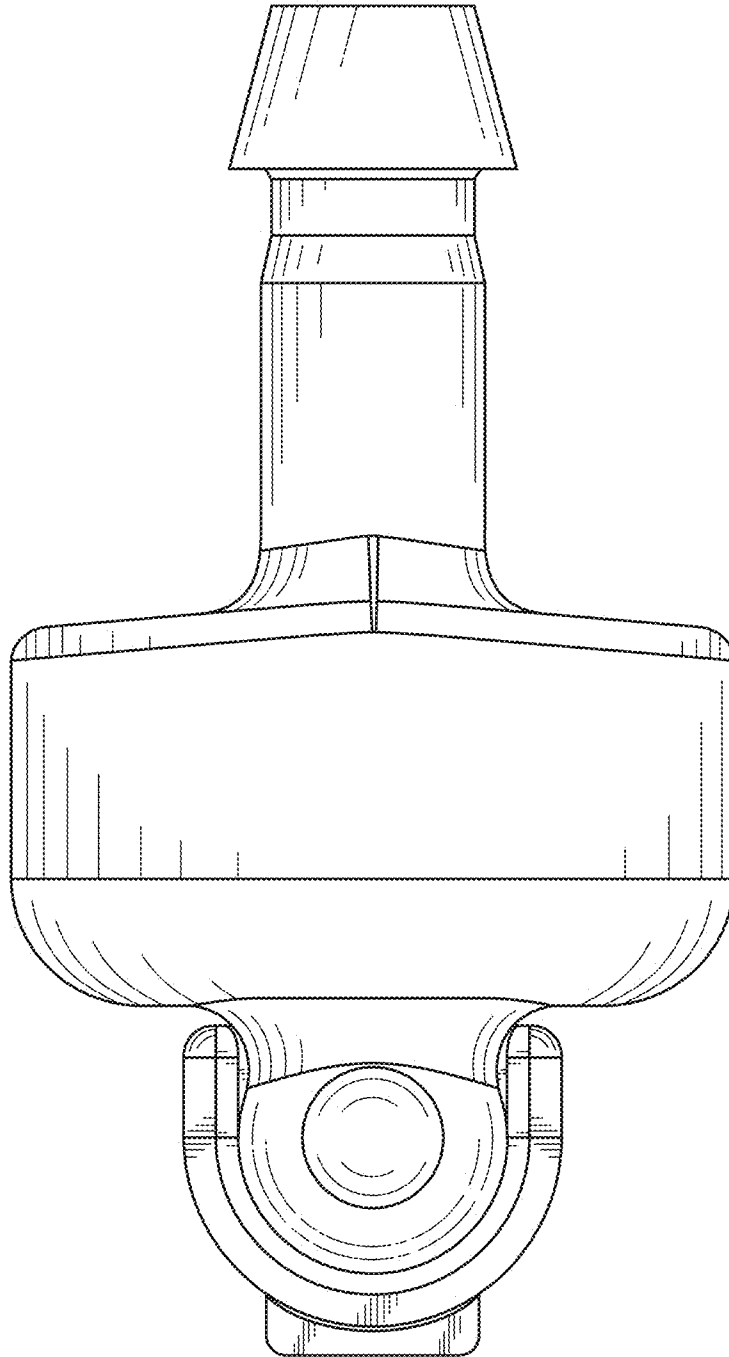


FIG. 6

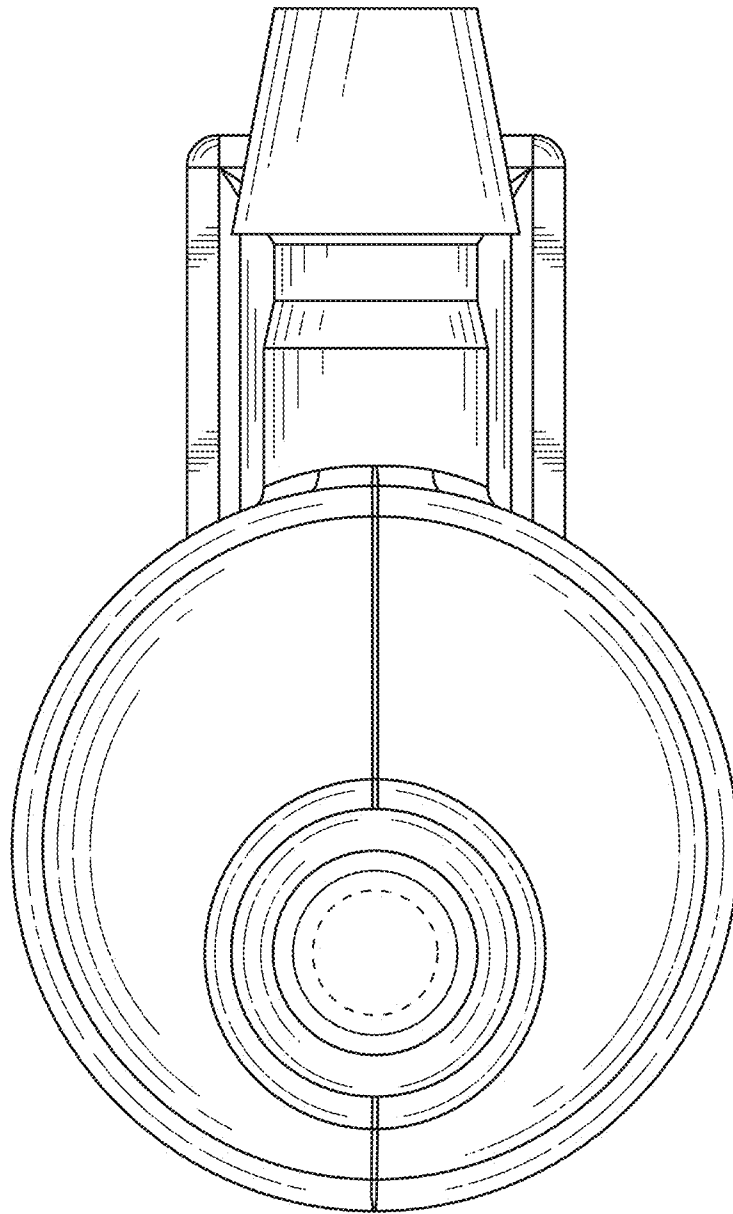


FIG. 7

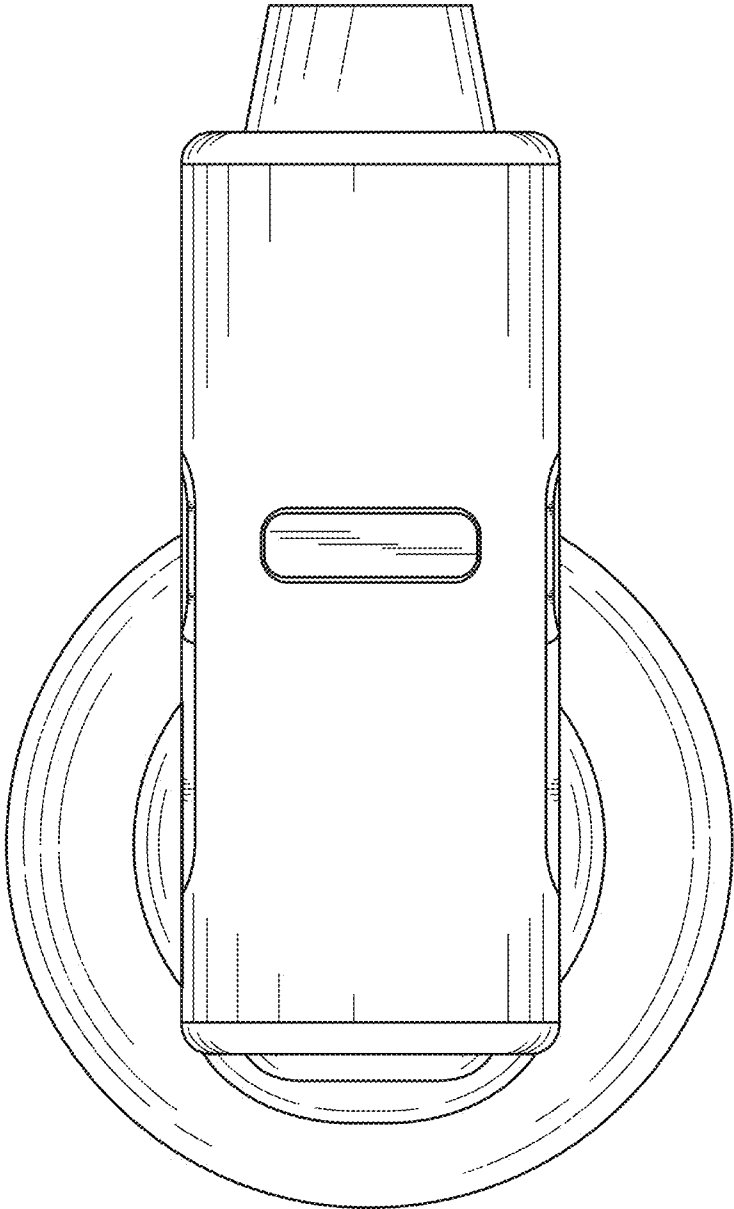


FIG. 8

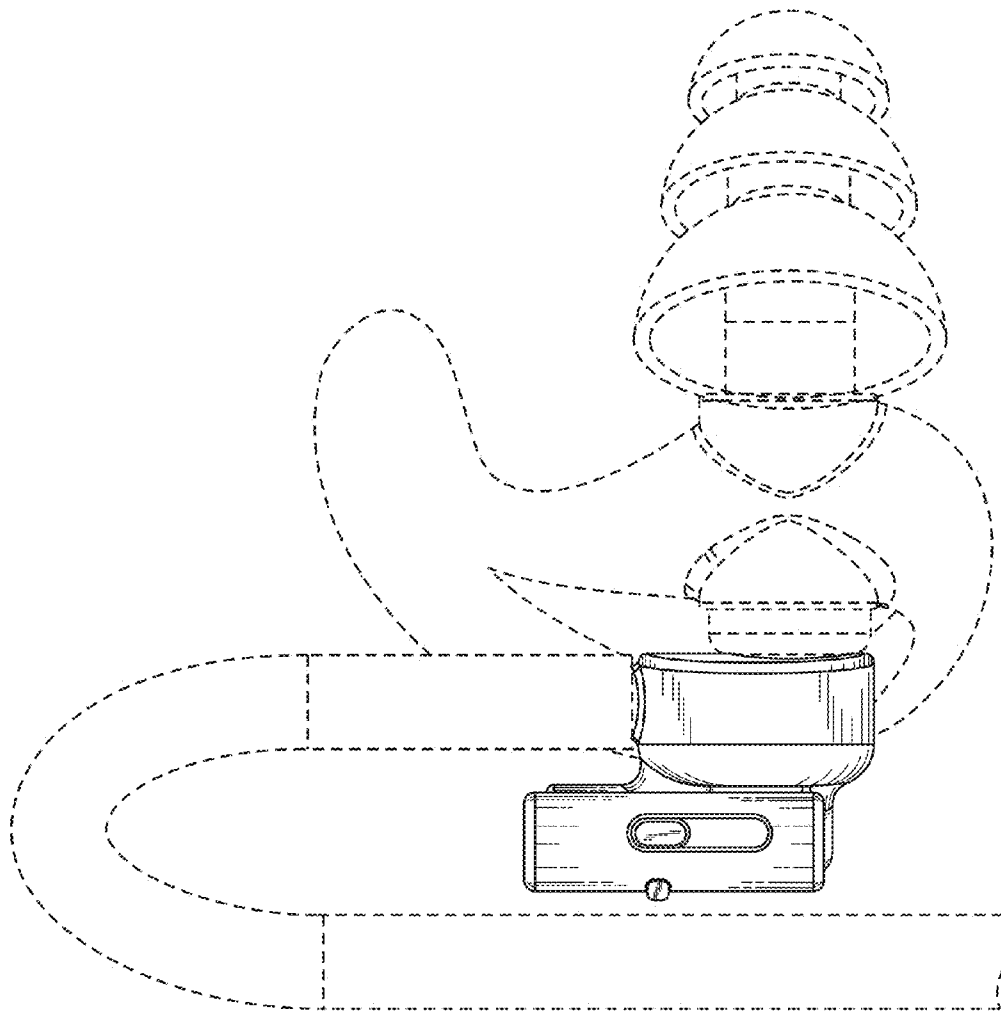


FIG. 9