



US00D955918S

(12) **United States Design Patent**
Frazier

(10) **Patent No.:** **US D955,918 S**

(45) **Date of Patent:** **** Jun. 28, 2022**

- (54) **HANGING PLANTER**
- (71) Applicant: **Susan L. Frazier**, Lakewood, OH (US)
- (72) Inventor: **Susan L. Frazier**, Lakewood, OH (US)
- (**) Term: **15 Years**
- (21) Appl. No.: **29/652,594**
- (22) Filed: **Sep. 28, 2020**
- (51) **LOC (13) Cl.** **11-02**
- (52) **U.S. Cl.**
USPC **D11/148**
- (58) **Field of Classification Search**
USPC D11/143-156, 164; D6/403-405,
D6/556-558
CPC . A01G 9/02; A01G 9/021; A01G 9/04; A01G
27/003; A01G 31/06
See application file for complete search history.

D837,094	S *	1/2019	Hung	D11/152
D862,282	S *	10/2019	Hung	D11/152
10,450,128	B2 *	10/2019	Hung	B65D 5/5021
D877,652	S *	3/2020	Hung	D11/152
10,813,304	B2 *	10/2020	Marshall	A01G 13/0281
D908,039	S *	1/2021	Hung	D11/152
2002/0104263	A1 *	8/2002	Chang	A01G 9/021 47/65.7
2003/0209552	A1 *	11/2003	Leibner	G07D 9/002 220/628
2005/0072704	A1 *	4/2005	Patz	B65D 5/5286 206/418
2010/0212222	A1 *	8/2010	Gallo	A01G 13/0281 47/21.1
2013/0036669	A1 *	2/2013	Rabii	A01G 31/02 47/62 R

* cited by examiner

Primary Examiner — Elizabeth A. Albert

(57) **CLAIM**

The ornamental design for a hanging planter, as shown and described.

(56) **References Cited**

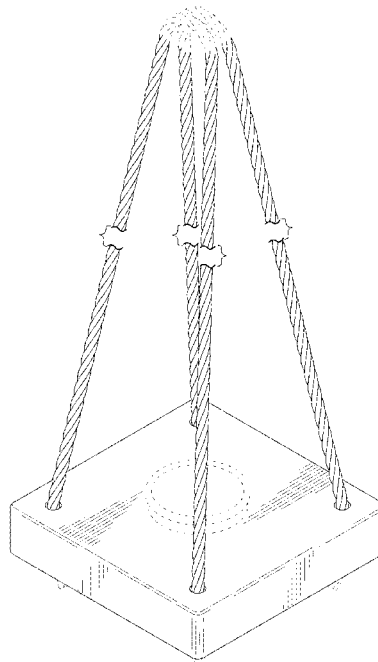
U.S. PATENT DOCUMENTS

1,059,359	A *	4/1913	Hahn	B65D 85/321 217/26
1,625,620	A *	4/1927	Maston	B65D 85/32 229/120.32
D232,283	S *	8/1974	Wagschal	47/67
D238,088	S *	12/1975	Grosfillex	D11/155
4,113,093	A *	9/1978	Hendrickx	B65D 81/36 47/84
D469,930	S *	2/2003	Bloedorn	D30/124
6,564,745	B1 *	5/2003	Bloedorn	A01K 39/014 119/57.8
D558,085	S *	12/2007	Jenkins	D11/148
D638,262	S *	5/2011	Eberstadt, Jr.	D7/554.2
D661,222	S *	6/2012	Jaworski	D11/143
D661,223	S *	6/2012	Jaworski	D11/143

DESCRIPTION

FIG. 1 is a top perspective view showing the new design.
 FIG. 2 is a front view thereof.
 FIG. 3 is a rear view thereof.
 FIG. 4 is a left view thereof.
 FIG. 5 is a right view thereof.
 FIG. 6 is a top view thereof.
 FIG. 7 is a bottom view thereof; and,
 FIG. 8 is a bottom perspective view thereof.
 The broken away symbols in the drawings indicate that the appearance of any portion of the article between the break lines forms no part of the claimed design.

1 Claim, 7 Drawing Sheets



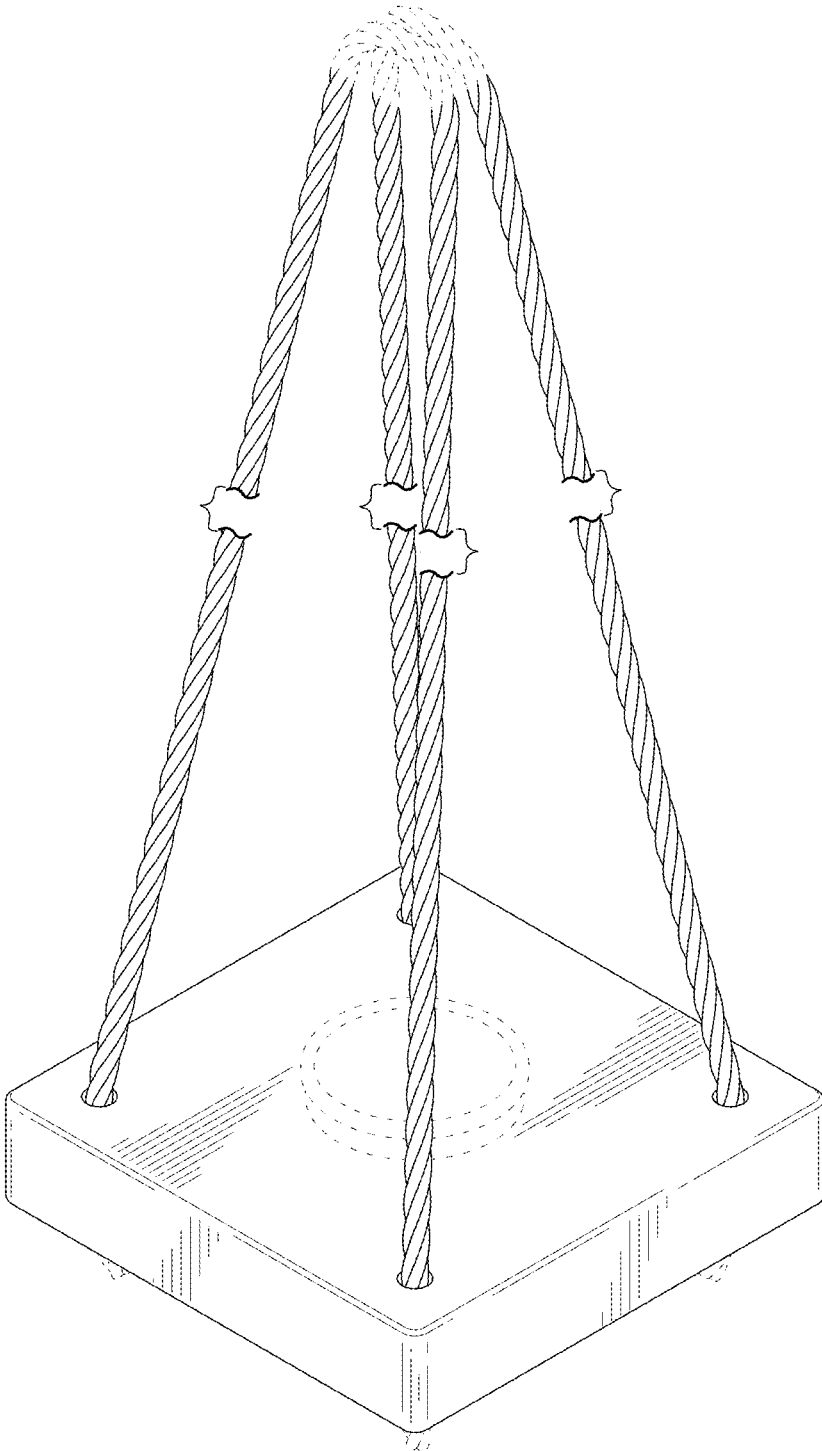


FIG. 1

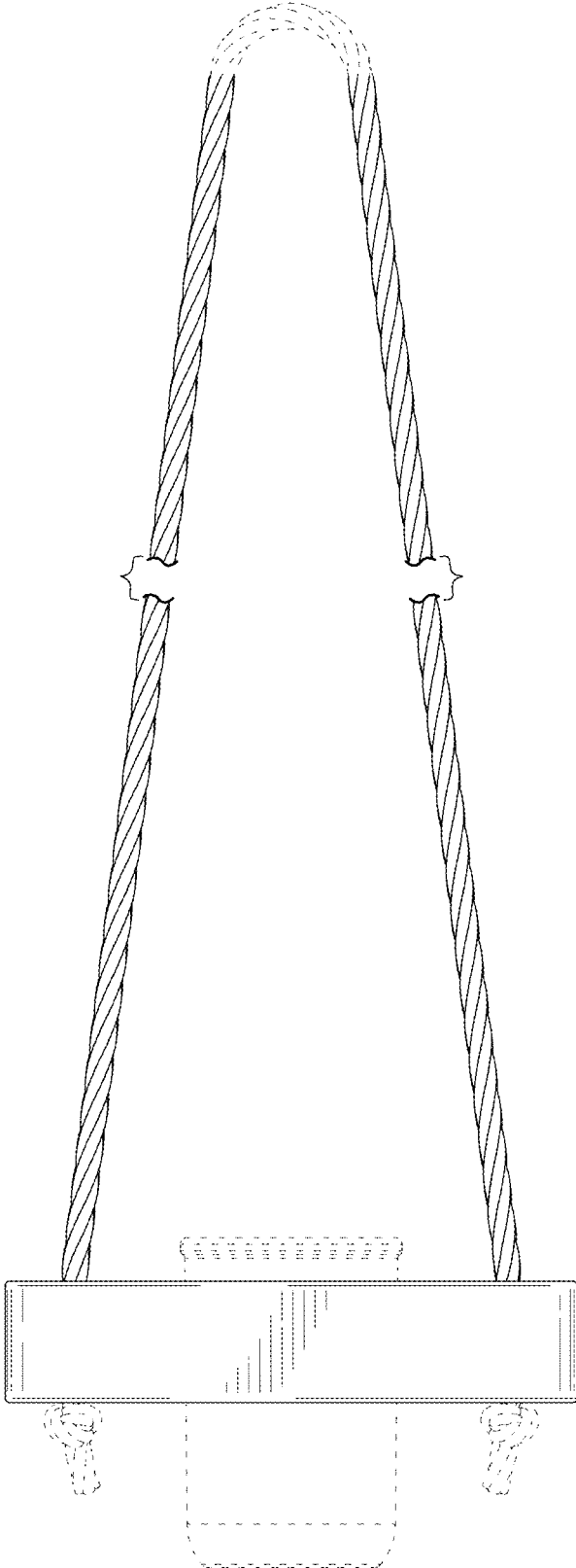


FIG. 2

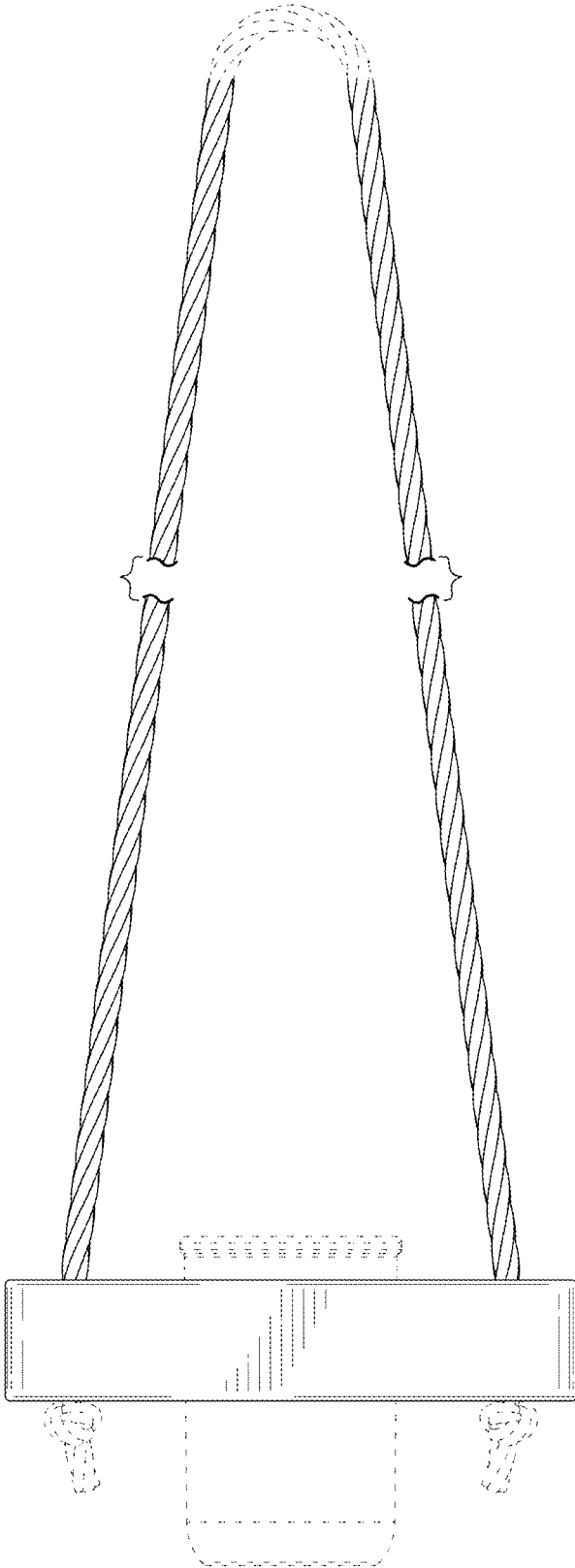


FIG. 3

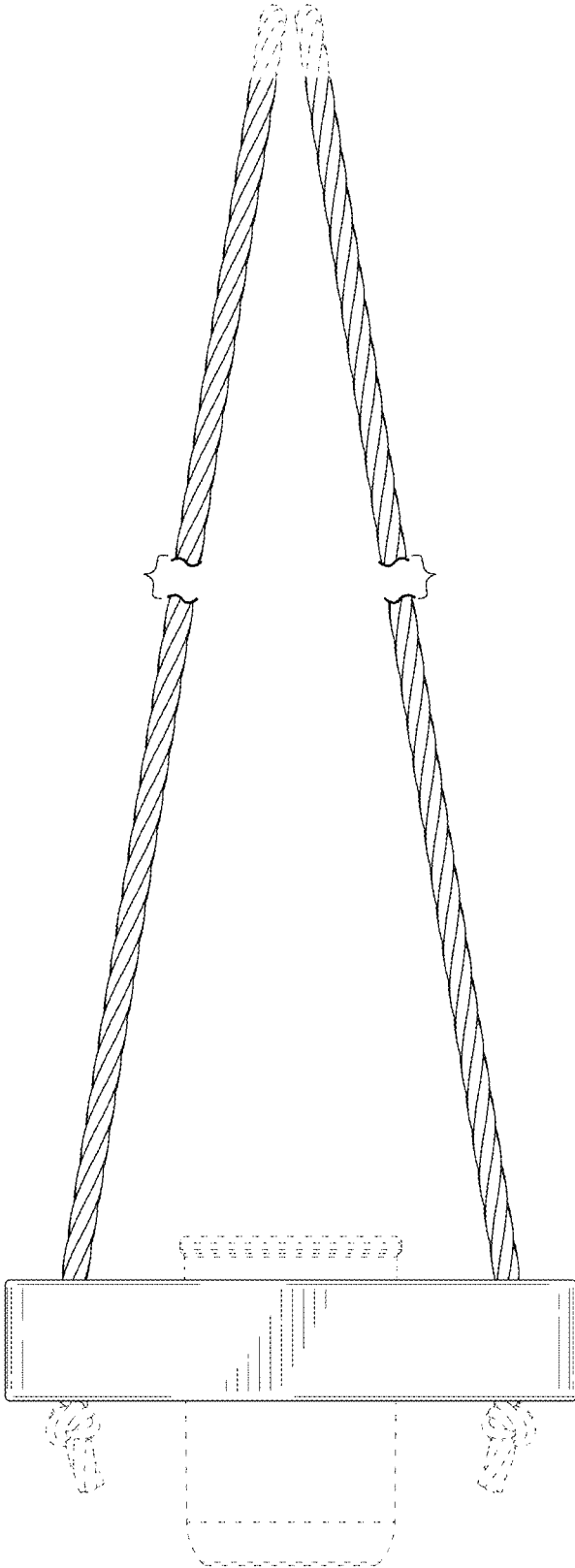


FIG. 4

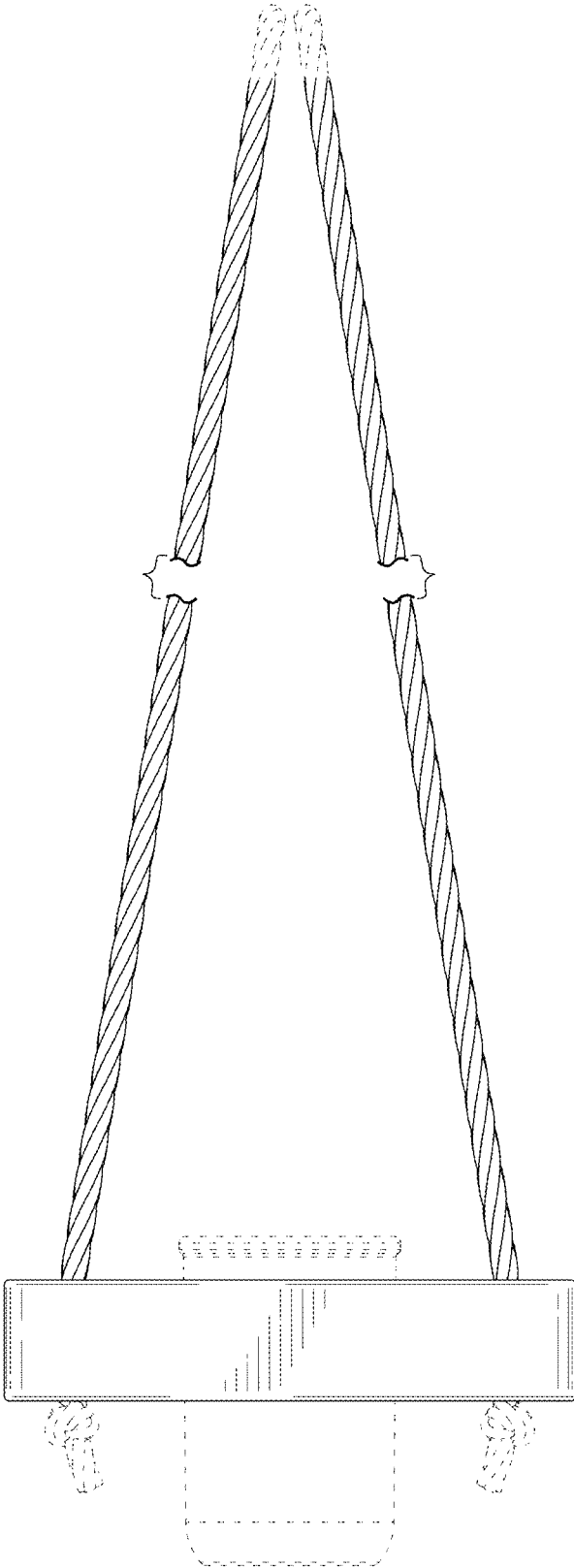


FIG. 5

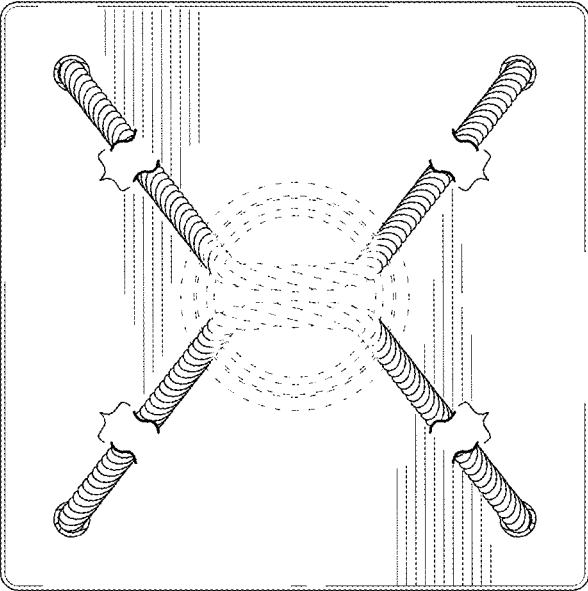


FIG. 6

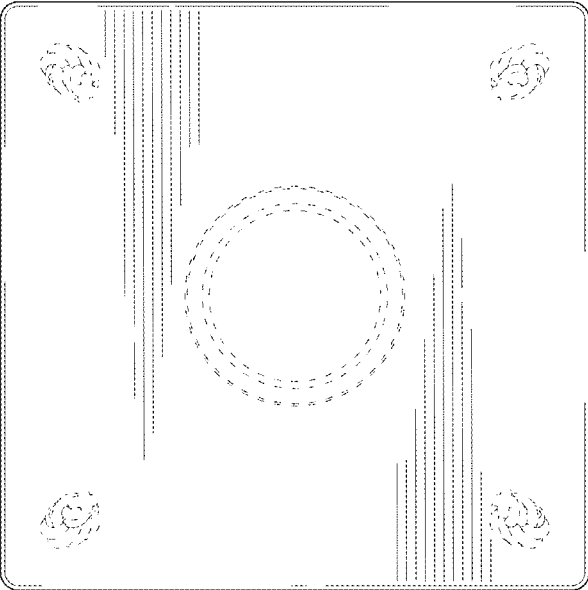


FIG. 7

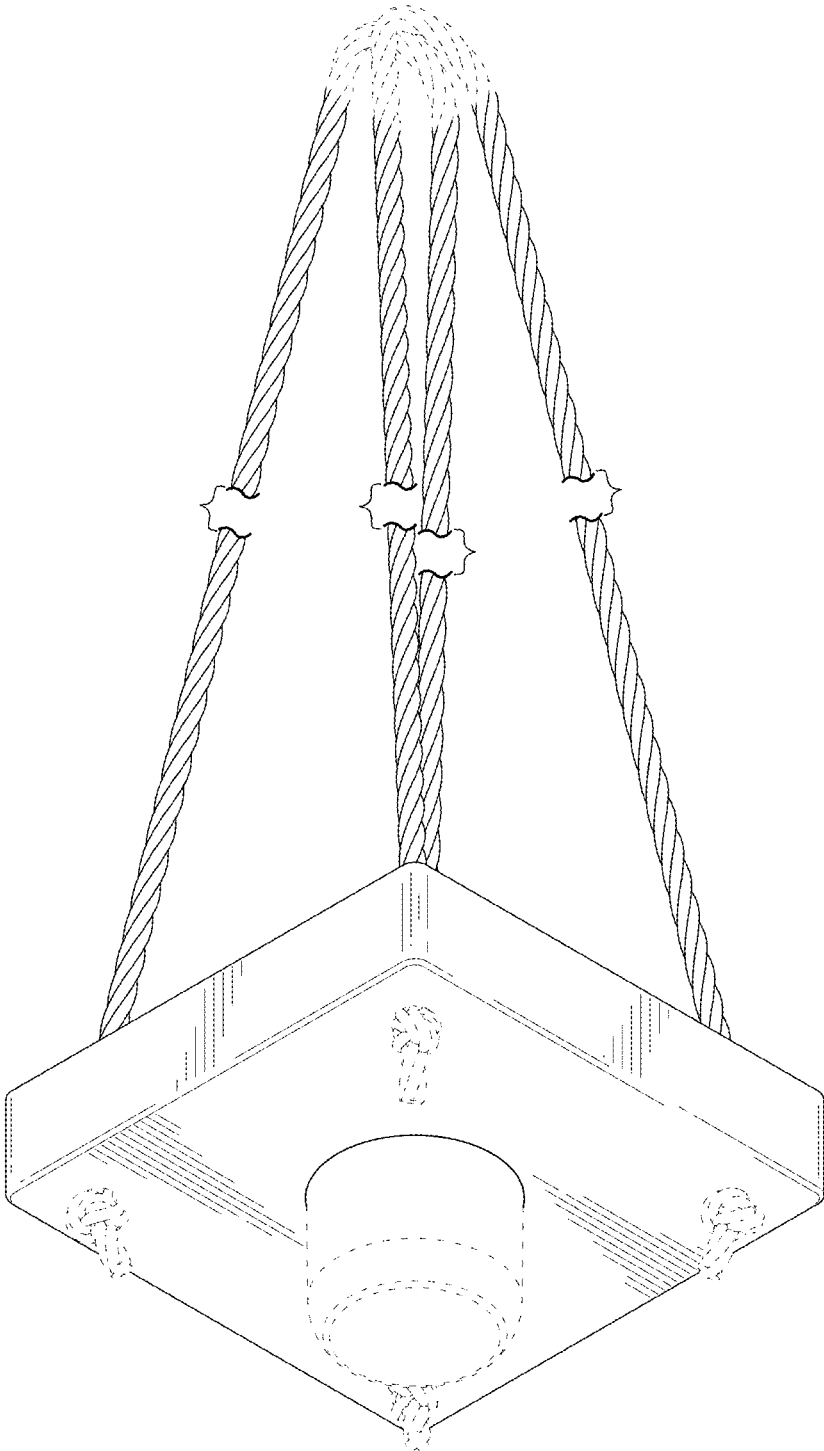


FIG. 8