



US00D933462S

(12) **United States Design Patent**
Zunzunegui

(10) **Patent No.:** **US D933,462 S**

(45) **Date of Patent:** **** Oct. 19, 2021**

- (54) **HOOK**
- (71) Applicant: **Zeedog S.A.**, Rio de Janeiro (BR)
- (72) Inventor: **Pedro Zunzunegui**, Madrid (ES)
- (73) Assignee: **Zeedog S.A.**, Rio do Janeiro (BR)
- (**) Term: **15 Years**
- (21) Appl. No.: **29/716,013**
- (22) Filed: **Dec. 5, 2019**
- (51) **LOC (13) Cl.** **08-05**
- (52) **U.S. Cl.**
USPC **D8/367; D8/356**
- (58) **Field of Classification Search**
USPC D8/356, 354, 105, 349, 367; D3/207
CPC B65H 57/16; B63B 21/045; A63B 29/08;
A63B 27/02
See application file for complete search history.

D765,497	S *	9/2016	Petzl	D8/356
D785,316	S *	5/2017	Grossman	D3/208
D819,429	S *	6/2018	Newing	D8/356
D821,090	S *	6/2018	Case	D3/207
10,060,466	B2 *	8/2018	Kaneko	F16B 45/02
D827,418	S *	9/2018	Austin	D8/356
D837,635	S *	1/2019	Petzl	D8/356
D843,814	S *	3/2019	Gariano	D8/356
D852,609	S *	7/2019	LeBeau	D8/356
D854,401	S *	7/2019	Adelman	D8/356
D856,118	S *	8/2019	Adelman	D8/356
D878,910	S *	3/2020	O'Neill	D8/367
D882,378	S *	4/2020	Graykowski	D8/356
D892,600	S *	8/2020	Schmitz	D8/367
D892,601	S *	8/2020	Schmitz	D8/367
D894,718	S *	9/2020	Kramer	D8/356
D902,009	S *	11/2020	Yang	D8/336
2006/0179784	A1 *	8/2006	Chen	F16B 21/00 52/698
2013/0219673	A1 *	8/2013	Perner	F16B 45/02 24/375
2014/01110956	A1 *	4/2014	Lin	B66C 1/36 294/82.2

(Continued)

Primary Examiner — Cynthia R Underwood

(74) Attorney, Agent, or Firm — Jason Jones

(56) **References Cited**

U.S. PATENT DOCUMENTS

D342,665	S *	12/1993	Rekuc	D8/367
D348,385	S *	7/1994	Krauss	D8/367
D355,585	S *	2/1995	Terada	D8/367
D391,694	S *	3/1998	Eichhorn	119/784
D391,840	S *	3/1998	Striebel	D8/367
D394,202	S *	5/1998	Anscher	D8/367
D402,189	S *	12/1998	Izumi	D8/382
D491,049	S *	6/2004	Kung	D8/367
D579,763	S *	11/2008	Uehara	D8/367
D583,654	S *	12/2008	Uehara	D8/367
D649,024	S *	11/2011	Takazakura	D8/367
D665,655	S *	8/2012	Ishii	D8/367
D675,806	S *	2/2013	Caul	D2/500
D730,159	S *	5/2015	Grimm	D8/356
D730,722	S *	6/2015	Grimm	D8/356
D738,196	S *	9/2015	Petzl	D8/356
D740,645	S *	10/2015	Koreishi	D8/367

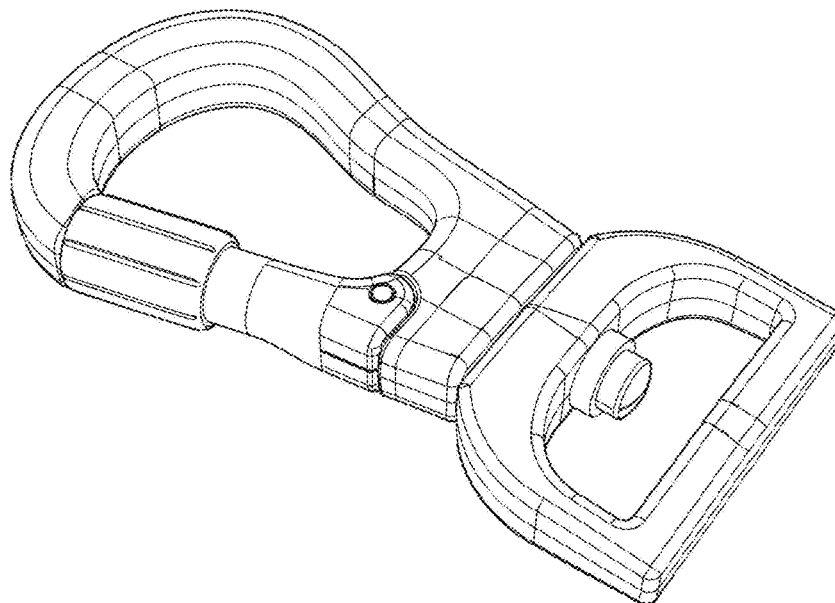
(57) **CLAIM**

The ornamental design for a hook, as shown and described.

DESCRIPTION

- FIG. 1 is a perspective view a hook in accordance with my invention;
- FIG. 2 is a front view of the hook, an opposing rear view being a mirror image thereof;
- FIG. 3 is a bottom view of the hook;
- FIG. 4 is a top view of the hook;
- FIG. 5 is a side view of the hook; and,
- FIG. 6 is an opposing side view of the hook.

1 Claim, 3 Drawing Sheets



(56)

References Cited

U.S. PATENT DOCUMENTS

2014/0245576	A1*	9/2014	Perner	F16B 45/02 24/600.1
2015/0231423	A1*	8/2015	Perner	A62B 35/0075 24/505
2016/0361578	A1*	12/2016	Casebolt	A62B 35/0037
2016/0376129	A1*	12/2016	Hendrix	F16B 45/02 294/82.2

* cited by examiner

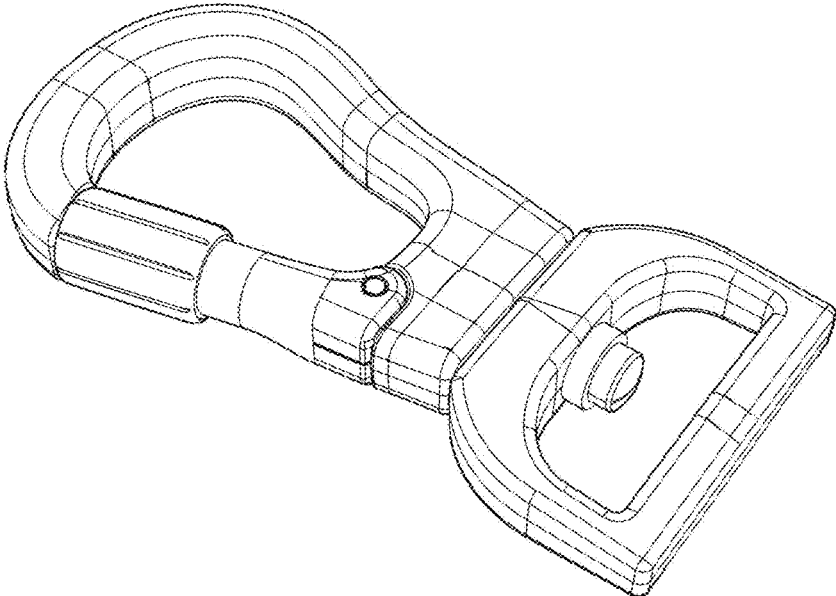


FIG. 1

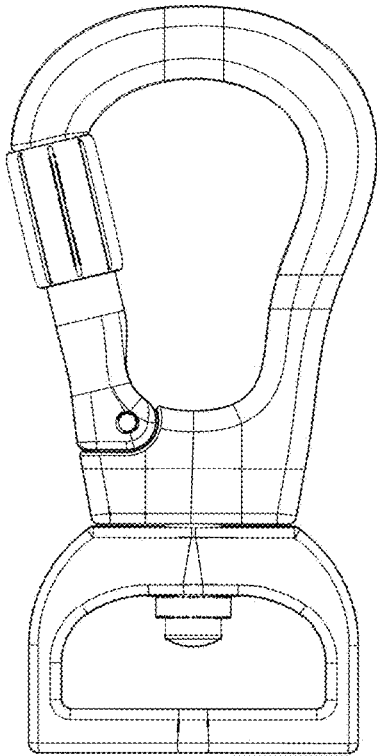


FIG. 2

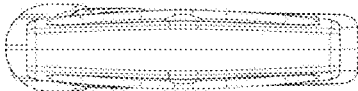


FIG. 3



FIG. 4

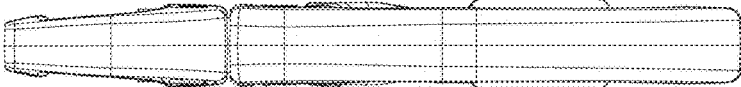


FIG. 5

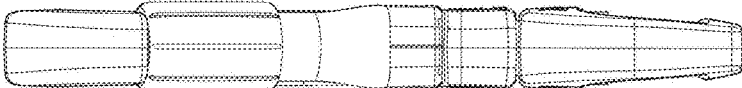


FIG. 6