



- (51) International Patent Classification:
A61F 9/008 (2006.01) A61F 9/009 (2006.01)
- (21) International Application Number:
PCT/IB2016/054472
- (22) International Filing Date:
27 July 2016 (27.07.2016)
- (25) Filing Language: Italian
- (26) Publication Language: English
- (30) Priority Data:
102015000039472 29 July 2015 (29.07.2015) IT
- (72) Inventor; and
- (71) Applicant : GHINELLI, Emiliano [IT/IT]; via Fiume delle Perle 162, 00144 Roma (IT).
- (74) Agent: BIESSE S.R.L.; Via Corfù 71, 25124 Brescia (BS) (IT).
- (81) Designated States (unless otherwise indicated, for every kind of national protection available): AE, AG, AL, AM, AO, AT, AU, AZ, BA, BB, BG, BH, BN, BR, BW, BY,

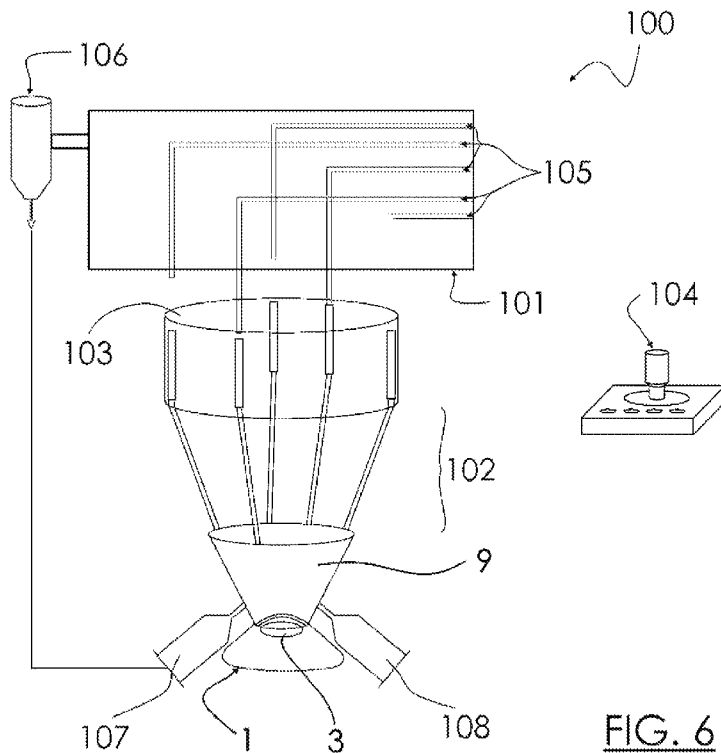
BZ, CA, CH, CL, CN, CO, CR, CU, CZ, DE, DK, DM, DO, DZ, EC, EE, EG, ES, FI, GB, GD, GE, GH, GM, GT, HN, HR, HU, ID, IL, IN, IR, IS, JP, KE, KG, KN, KP, KR, KZ, LA, LC, LK, LR, LS, LU, LY, MA, MD, ME, MG, MK, MN, MW, MX, MY, MZ, NA, NG, NI, NO, NZ, OM, PA, PE, PG, PH, PL, PT, QA, RO, RS, RU, RW, SA, SC, SD, SE, SG, SK, SL, SM, ST, SV, SY, TH, TJ, TM, TN, TR, TT, TZ, UA, UG, US, UZ, VC, VN, ZA, ZM, ZW.

(84) Designated States (unless otherwise indicated, for every kind of regional protection available): ARIPO (BW, GH, GM, KE, LR, LS, MW, MZ, NA, RW, SD, SL, ST, SZ, TZ, UG, ZM, ZW), Eurasian (AM, AZ, BY, KG, KZ, RU, TJ, TM), European (AL, AT, BE, BG, CH, CY, CZ, DE, DK, EE, ES, FI, FR, GB, GR, HR, HU, IE, IS, IT, LT, LU, LV, MC, MK, MT, NL, NO, PL, PT, RO, RS, SE, SI, SK, SM, TR), OAPI (BF, BJ, CF, CG, CI, CM, GA, GN, GQ, GW, KM, ML, MR, NE, SN, TD, TG).

Published: — with international search report (Art. 21(3))

[Continued on next page]

(54) Title: REMOTELY-CONTROLLED APPARATUS FOR OPHTHALMIC SURGERY



(57) Abstract: A remotely-controlled apparatus for ophthalmic surgery, comprising at least one robotic arm in which a surgical instrument is telescopically housed, is described. The arm is provided with a foot leaning on the patient's eye and with suction means keeping, if needed, the foot adherent to the patient's eye, for example as the surgical instrument is inserted in the anterior chamber of the eye. Also the insertion of the surgical instruments, in addition to the relative subsequent movements, is remotely controlled. The apparatus helps the surgeon in the movements, so that to minimize the risks of human error.

FIG. 6

WO 2017/017616 A3



— *before the expiration of the time limit for amending the claims and to be republished in the event of receipt of amendments (Rule 48.2(h))*

(88) Date of publication of the international search report:
9 March 2017

INTERNATIONAL SEARCH REPORT

International application No
PCT/IB2016/054472

A. CLASSIFICATION OF SUBJECT MATTER
 INV. A61F9/008 A61F9/009
 ADD.
 According to International Patent Classification (IPC) or to both national classification and IPC

B. FIELDS SEARCHED
 Minimum documentation searched (classification system followed by classification symbols)
 A61F

Documentation searched other than minimum documentation to the extent that such documents are included in the fields searched

Electronic data base consulted during the international search (name of data base and, where practicable, search terms used)
 EPO-Internal, WPI Data

C. DOCUMENTS CONSIDERED TO BE RELEVANT

Category*	Citation of document, with indication, where appropriate, of the relevant passages	Relevant to claim No.
X	US 2009/182310 A1 (GERTNER MICHAEL [US] ET AL) 16 July 2009 (2009-07-16)	1-5, 7-10,14, 15
A	paragraphs [0078], [0080], [0082], [0085], [0087], [0090], [0094], [0100], [0102] paragraphs [0143], [0144], [0148], [0155], [0160], [0167] figures 1,6B -----	6,11-13, 16-19

Further documents are listed in the continuation of Box C.

See patent family annex.

* Special categories of cited documents :

- "A" document defining the general state of the art which is not considered to be of particular relevance
- "E" earlier application or patent but published on or after the international filing date
- "L" document which may throw doubts on priority claim(s) or which is cited to establish the publication date of another citation or other special reason (as specified)
- "O" document referring to an oral disclosure, use, exhibition or other means
- "P" document published prior to the international filing date but later than the priority date claimed

- "T" later document published after the international filing date or priority date and not in conflict with the application but cited to understand the principle or theory underlying the invention
- "X" document of particular relevance; the claimed invention cannot be considered novel or cannot be considered to involve an inventive step when the document is taken alone
- "Y" document of particular relevance; the claimed invention cannot be considered to involve an inventive step when the document is combined with one or more other such documents, such combination being obvious to a person skilled in the art
- "&" document member of the same patent family

Date of the actual completion of the international search 17 November 2016	Date of mailing of the international search report 30/01/2017
--	---

Name and mailing address of the ISA/ European Patent Office, P.B. 5818 Patentlaan 2 NL - 2280 HV Rijswijk Tel. (+31-70) 340-2040, Fax: (+31-70) 340-3016	Authorized officer Büchler Costa, Joana
--	---

INTERNATIONAL SEARCH REPORT

International application No.
PCT/IB2016/054472

Box No. II Observations where certain claims were found unsearchable (Continuation of item 2 of first sheet)

This international search report has not been established in respect of certain claims under Article 17(2)(a) for the following reasons:

1. Claims Nos.:
because they relate to subject matter not required to be searched by this Authority, namely:

2. Claims Nos.:
because they relate to parts of the international application that do not comply with the prescribed requirements to such an extent that no meaningful international search can be carried out, specifically:

3. Claims Nos.:
because they are dependent claims and are not drafted in accordance with the second and third sentences of Rule 6.4(a).

Box No. III Observations where unity of invention is lacking (Continuation of item 3 of first sheet)

This International Searching Authority found multiple inventions in this international application, as follows:

see additional sheet

1. As all required additional search fees were timely paid by the applicant, this international search report covers all searchable claims.

2. As all searchable claims could be searched without effort justifying an additional fees, this Authority did not invite payment of additional fees.

3. As only some of the required additional search fees were timely paid by the applicant, this international search report covers only those claims for which fees were paid, specifically claims Nos.:

4. No required additional search fees were timely paid by the applicant. Consequently, this international search report is restricted to the invention first mentioned in the claims; it is covered by claims Nos.:

1-19

Remark on Protest

- The additional search fees were accompanied by the applicant's protest and, where applicable, the payment of a protest fee.
- The additional search fees were accompanied by the applicant's protest but the applicable protest fee was not paid within the time limit specified in the invitation.
- No protest accompanied the payment of additional search fees.

FURTHER INFORMATION CONTINUED FROM PCT/ISA/ 210

This International Searching Authority found multiple (groups of) inventions in this international application, as follows:

1. claims: 1-19

Apparatus for ophthalmic surgery comprising a laser emitter, surgical instruments a supporting structure for positioning the laser emitter, remotely controlling means, a robotic arm housing a surgical instrument and provided with a contact surface.

2. claim: 20

Container for ocular tissue comprising a plurality of tweezers to retain the ocular tissue, a sealing lid, wherein the lid acts as an applanation surface and is transparent to laser beams.

INTERNATIONAL SEARCH REPORT

Information on patent family members

International application No

PCT/IB2016/054472

Patent document cited in search report	Publication date	Patent family member(s)	Publication date	
US 2009182310	A1	16-07-2009	US 2009182310 A1	16-07-2009
			US 2009182311 A1	16-07-2009
			US 2009182312 A1	16-07-2009
