



US0D1047912S

(12) **United States Design Patent**
Corona

(10) **Patent No.:** **US D1,047,912 S**

(45) **Date of Patent:** **** Oct. 22, 2024**

(54) **SEALED POWER AND DATA CONNECTOR**

(71) Applicant: **DSM&T Company Inc.**, Fontana, CA (US)

(72) Inventor: **Sergio Corona**, Fontana, CA (US)

(73) Assignee: **DSM&T COMPANY INC.**, Fontana, CA (US)

(**) Term: **15 Years**

(21) Appl. No.: **29/802,470**

(22) Filed: **Aug. 5, 2021**

(51) **LOC (14) Cl.** **13-03**

(52) **U.S. Cl.**
USPC **D13/133**

(58) **Field of Classification Search**

USPC D13/103, 108, 110, 118, 119, 137, 0.2, D13/0.3, 138.1, 139.1, 139.4, 139.5, 199, D13/107, 123, 133, 182, 146, 147, 149, D13/154, 194; D14/251, 252, 253, 432, D14/433, 434, 447
CPC .. H01M 10/46; H01M 10/425; H01M 2/1022; H01R 24/00; H01R 12/592; H01R 13/506; H01R 13/639; H01R 13/5837; H01R 13/6461; H01R 13/6594; H01R 13/16582; H02J 7/0044; H02J 7/045; H02J 7/0003; H02J 7/0013; H02J 7/0045; H02J 201/006

See application file for complete search history.

(56) **References Cited**

U.S. PATENT DOCUMENTS

RE42,230 E * 3/2011 Norin D13/133
D678,201 S * 3/2013 Corona D13/133
D678,202 S * 3/2013 Corona D13/133

D729,169 S * 5/2015 Corona D13/146
D734,726 S * 7/2015 Nook D13/149
10,050,365 B1 * 8/2018 Ju H01R 13/6583
2010/0291804 A1 * 11/2010 Zhang H01R 43/24
439/660

* cited by examiner

Primary Examiner — Shawn T Gingrich

Assistant Examiner — Caleb M Baker

(74) *Attorney, Agent, or Firm* — Ruggiero McAllister & McMahon LLC

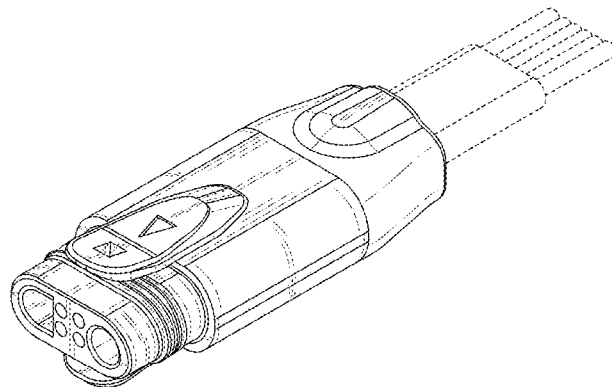
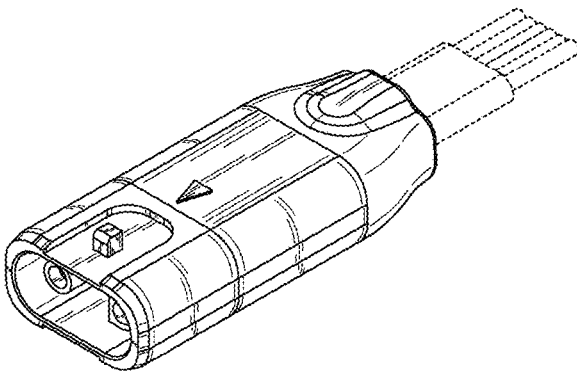
(57) **CLAIM**

The ornamental design for a sealed power and data connector as shown and described.

DESCRIPTION

FIG. 1 is a front isometric view of a female sealed power and data connector in accordance with the new design; FIG. 2 is a front view of the female connector; FIG. 3 is a rear view of the female connector; FIG. 4 is a right-side view of the female connector; FIG. 5 is a left-side view of the female connector; FIG. 6 is a top view of the female connector; FIG. 7 is a bottom view of the female connector; FIG. 8 is a front isometric view of a male sealed power and data connector that is adapted to mate with the female sealed power and data connector; FIG. 9 is a front view of the male connector; FIG. 10 is a rear view of the male connector; FIG. 11 is a right-side view of the male connector; FIG. 12 is a left-side view of the male connector; FIG. 13 is a top view of the male connector; and, FIG. 14 is a bottom view of the male connector. The broken line portion of the figure drawings is included to show portions of the sealed power and data connector that form no part of the claimed design.

1 Claim, 14 Drawing Sheets



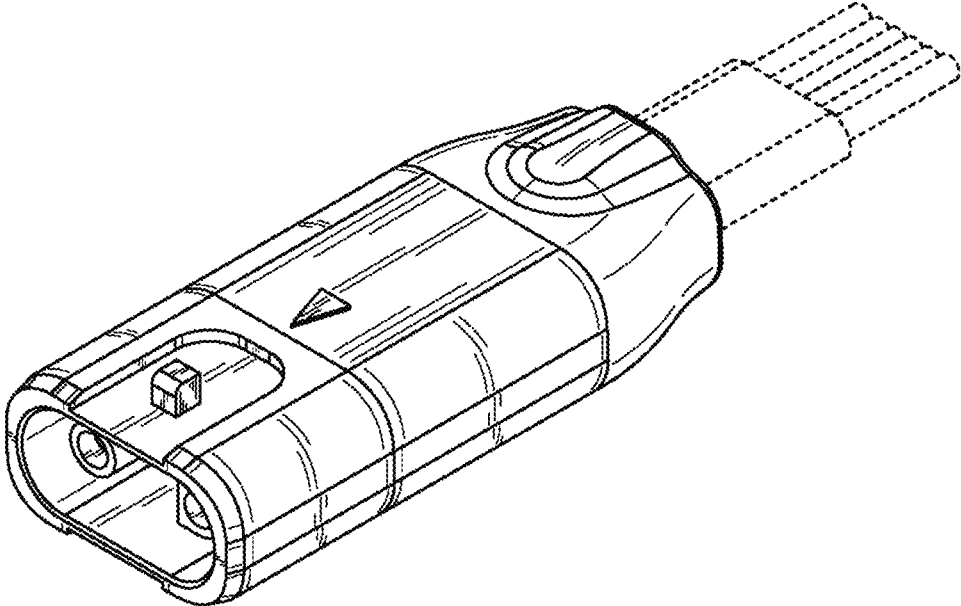


FIG. 1

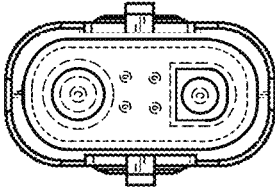


FIG. 2

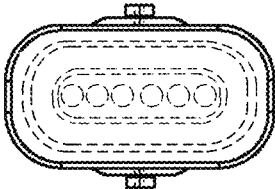


FIG. 3

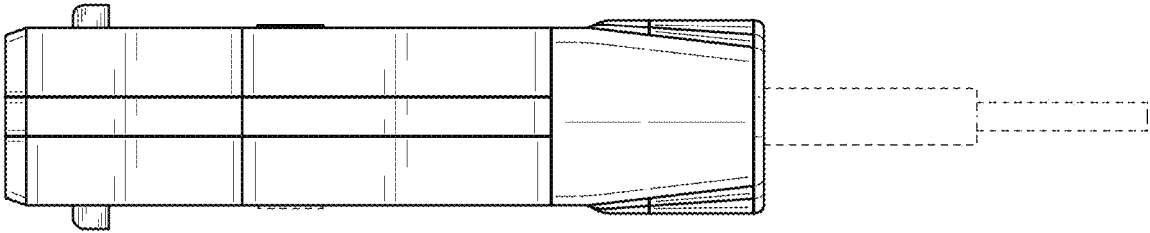


FIG. 4

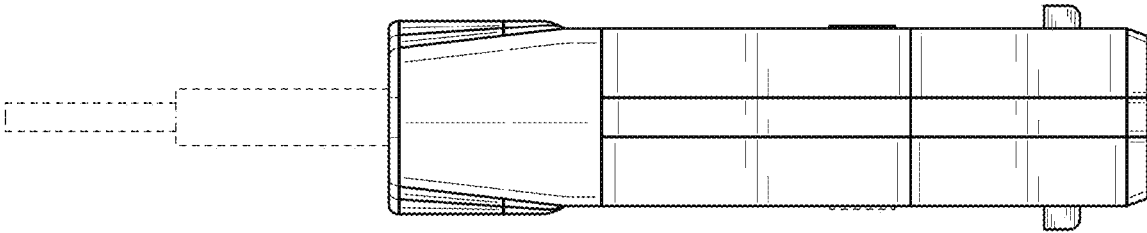


FIG. 5

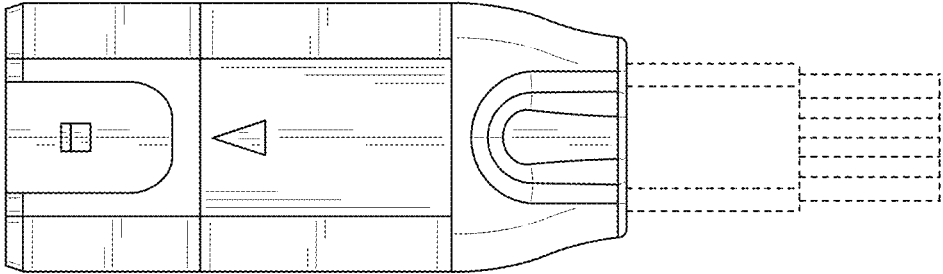


FIG. 6

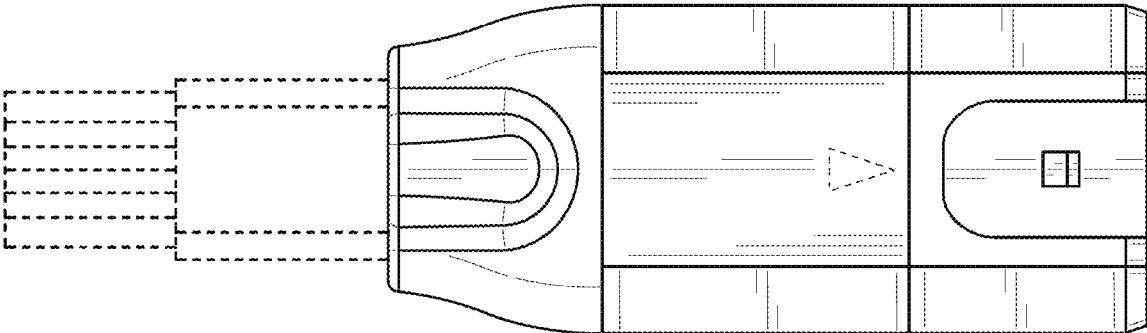


FIG. 7

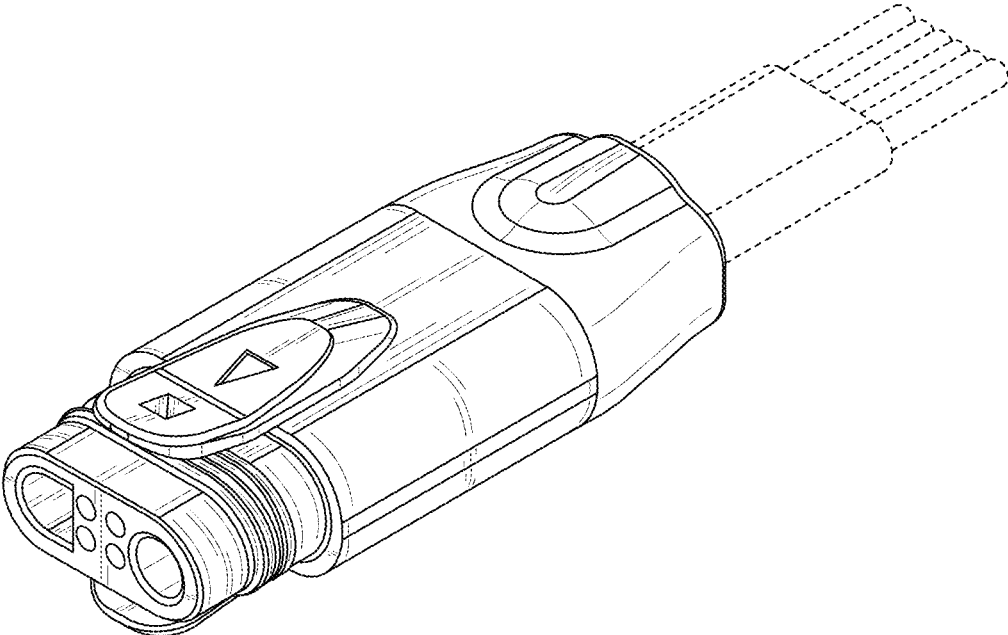


FIG. 8

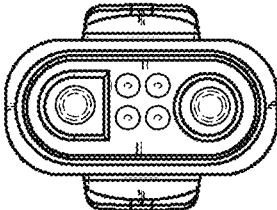


FIG. 9

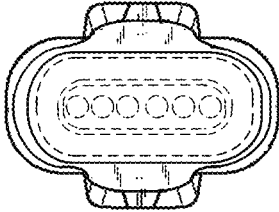


FIG. 10

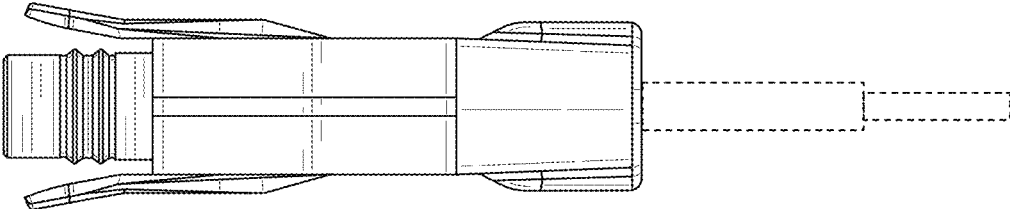


FIG. 11

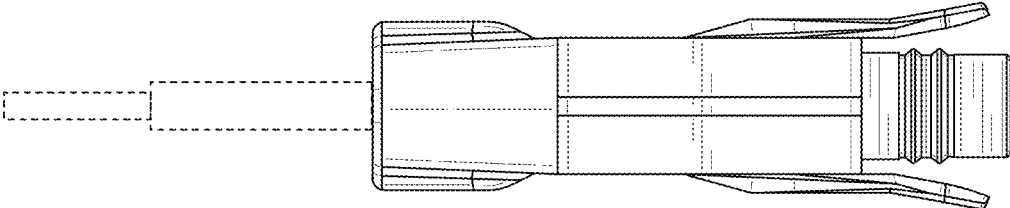


FIG. 12

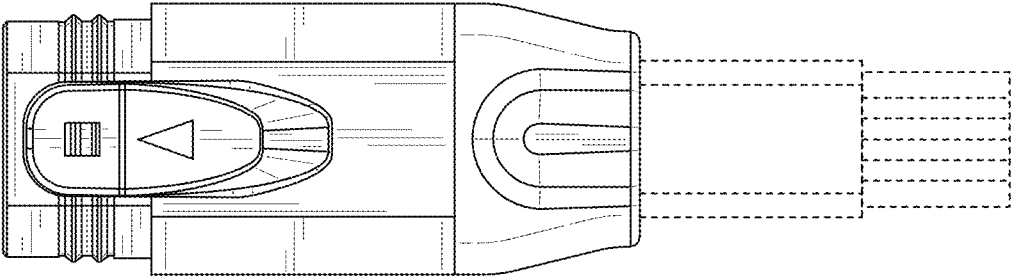


FIG. 13

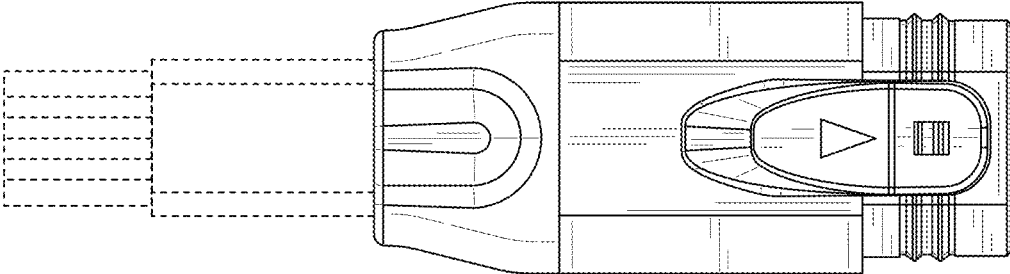


FIG. 14