



US0D1017048S

(12) **United States Design Patent**  
**McIver et al.**

(10) **Patent No.:** **US D1,017,048 S**

(45) **Date of Patent:** **\*\* Mar. 5, 2024**

(54) **WIRELESS COMMUNICATIONS ASSEMBLY**

(71) Applicant: **INSPIRE MEDICAL SYSTEMS, INC.**, Golden Valley, MN (US)

(72) Inventors: **Jordan McIver**, Blaine, MN (US);  
**Douglas Murphy**, Plymouth, MN (US);  
**John Rondoni**, Plymouth, MN (US);  
**Casimir Sienkiewicz**, Minneapolis, MN (US);  
**Travis Yoch**, Woodbury, MN (US);  
**Peter Marshall Young**, Saint Paul, MN (US)

(73) Assignee: **Inspire Medical Systems, Inc.**, Golden Valley, MN (US)

(\*\*) Term: **15 Years**

(21) Appl. No.: **29/772,832**

(22) Filed: **Mar. 4, 2021**

(51) **LOC (14) Cl.** ..... **24-01**

(52) **U.S. Cl.**  
USPC ..... **D24/186**

(58) **Field of Classification Search**  
USPC ..... D24/107, 165-168, 186, 187, 200, 231;  
D10/70, 75, 97, 98; D14/344  
CPC . A61B 5/6814; A61B 5/0205; A61B 5/02055;  
A61B 5/02405; A61B 5/02444; A61B  
5/4809; A61B 5/1102; A61B 5/0402;  
A61B 5/0404; A61B 5/6801; A61B  
5/681; A61B 5/6819; A61B 5/6823; A61B  
5/6824; A61B 5/02427; A61B 5/02438;  
A61B 2560/0412; A61B 2560/0418;  
A61G 2203/36

See application file for complete search history.

(56) **References Cited**

**U.S. PATENT DOCUMENTS**

D216,156 S \* 11/1969 Kim ..... D10/70  
D274,262 S \* 6/1984 Heilman ..... D9/696

D409,099 S \* 5/1999 Swetish ..... D10/70  
D447,067 S \* 8/2001 Vollenweider ..... D10/70  
D491,081 S \* 6/2004 Olson ..... D10/70  
D511,004 S \* 10/2005 Masuda ..... D24/187  
D537,004 S \* 2/2007 Eden ..... D10/70  
D554,759 S \* 11/2007 Barker ..... D24/186

(Continued)

**OTHER PUBLICATIONS**

SleepO2 Pro, [site visited Oct. 18, 2023]. Available from Internet.  
URL: <https://www.emaycare.com/products/sleepo2-pro-sleep-apnea-monitor> (Year: 2023).\*

(Continued)

*Primary Examiner* — T Chase Nelson  
*Assistant Examiner* — Kelly L Gross  
(74) *Attorney, Agent, or Firm* — Dicke, Billig & Czaja, PLLC

(57) **CLAIM**

The ornamental design for a wireless communications assembly, as shown and described.

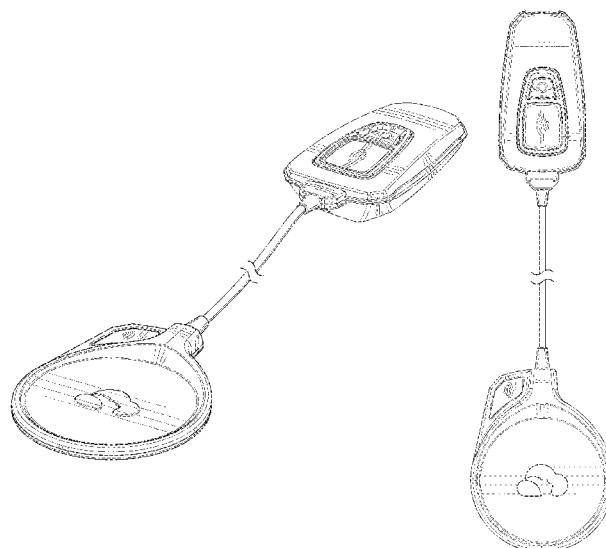
**DESCRIPTION**

FIG. 1 is a front, top perspective view of a wireless communications assembly showing our new design; FIG. 2 is a front elevational view thereof; FIG. 3 is a rear elevational view thereof; FIG. 4 is a left side elevational view thereof; FIG. 5 is a right side elevational view thereof; FIG. 6 is a top plan view thereof; and, FIG. 7 is a bottom plan view thereof.

The wireless communications assembly is shown with a symbolic break in its length. The appearance of any portion of the article between the break lines forms no part of the claimed design.

The broken lines show portions of the wireless communications assembly that form no part of the claimed design.

**1 Claim, 7 Drawing Sheets**



(56)

## References Cited

## U.S. PATENT DOCUMENTS

|              |    |   |         |                |       |                         |
|--------------|----|---|---------|----------------|-------|-------------------------|
| D575,649     | S  | * | 8/2008  | Scalisi        | ..... | D10/70                  |
| D596,514     | S  | * | 7/2009  | Luzar          | ..... | D10/70                  |
| D599,909     | S  | * | 9/2009  | Rinott         | ..... | D24/186                 |
| D612,754     | S  | * | 3/2010  | Ogihara        | ..... | D10/70                  |
| D625,824     | S  | * | 10/2010 | Brckett        | ..... | D24/188                 |
| D632,396     | S  | * | 2/2011  | Kasabach       | ..... | D24/186                 |
| D635,874     | S  | * | 4/2011  | Tseng          | ..... | D10/70                  |
| D666,112     | S  | * | 8/2012  | Chang          | ..... | D10/70                  |
| D679,013     | S  | * | 3/2013  | Green          | ..... | D24/169                 |
| D683,636     | S  | * | 6/2013  | Levanen        | ..... | D10/70                  |
| D712,768     | S  | * | 9/2014  | Ueda           | ..... | D10/97                  |
| D718,867     | S  | * | 12/2014 | Schroderus     | ..... | D24/167                 |
| D732,672     | S  | * | 6/2015  | Lewis, Jr.     | ..... | D24/187                 |
| D742,528     | S  | * | 11/2015 | Huffman        | ..... | D24/186                 |
| D752,763     | S  | * | 3/2016  | Rondoni        | ..... | D24/186                 |
| D753,832     | S  | * | 4/2016  | Lin            | ..... | D24/186                 |
| D754,551     | S  | * | 4/2016  | Heikkilä       | ..... | D10/70                  |
| D754,861     | S  | * | 4/2016  | O'Driscoll     | ..... | D16/101                 |
| D756,817     | S  | * | 5/2016  | Fries          | ..... | D13/133                 |
| D761,676     | S  | * | 7/2016  | Golnik         | ..... | D10/70                  |
| D765,525     | S  | * | 9/2016  | Huang          | ..... | D10/70                  |
| 9,452,293    | B2 |   | 9/2016  | Rondoni et al. |       |                         |
| D775,981     | S  | * | 1/2017  | Yu             | ..... | D10/70                  |
| D776,284     | S  | * | 1/2017  | Ratto          | ..... | D24/186                 |
| D776,285     | S  | * | 1/2017  | Dinger         | ..... | D24/186                 |
| D783,838     | S  | * | 4/2017  | Zhao           | ..... | D24/186                 |
| D790,372     | S  | * | 6/2017  | Daoura         | ..... | D10/104.1               |
| D796,046     | S  | * | 8/2017  | Sadot          | ..... | D24/186                 |
| D796,048     | S  | * | 8/2017  | O'Driscoll     | ..... | D24/186                 |
| D796,355     | S  | * | 9/2017  | Cho            | ..... | D10/70                  |
| D796,682     | S  | * | 9/2017  | Falk           | ..... | D24/186                 |
| D801,538     | S  | * | 10/2017 | Rondoni        | ..... | D24/186                 |
| D805,926     | S  | * | 12/2017 | Im             | ..... | D24/186                 |
| D806,254     | S  | * | 12/2017 | Im             | ..... | D24/186                 |
| 9,839,786    | B2 |   | 12/2017 | Rondoni et al. |       |                         |
| D807,512     | S  | * | 1/2018  | Räisänen       | ..... | D24/186                 |
| D810,306     | S  | * | 2/2018  | Rondoni        | ..... | D24/186                 |
| D814,042     | S  | * | 3/2018  | Chan           | ..... | D24/186                 |
| D817,793     | S  | * | 5/2018  | Vu             | ..... | D10/128                 |
| D818,853     | S  | * | 5/2018  | Golnik         | ..... | D10/70                  |
| D819,469     | S  | * | 6/2018  | Farley         | ..... | D10/70                  |
| D820,123     | S  | * | 6/2018  | Chou           | ..... | D10/70                  |
| D824,034     | S  | * | 7/2018  | Pushpala       | ..... | D24/186                 |
| D826,748     | S  | * | 8/2018  | Kim            | ..... | D10/70                  |
| D828,574     | S  | * | 9/2018  | Fujiwara       | ..... | D24/186                 |
| D830,555     | S  | * | 10/2018 | Lin            | ..... | D24/167                 |
| D831,189     | S  | * | 10/2018 | Fang           | ..... | D24/186                 |
| D840,358     | S  | * | 2/2019  | Zhao           | ..... | D24/186                 |
| D850,304     | S  | * | 6/2019  | Purba          | ..... | D10/70                  |
| D866,370     | S  | * | 11/2019 | Wheaton        | ..... | D10/70                  |
| D866,371     | S  | * | 11/2019 | Wheaton        | ..... | D10/70                  |
| D868,977     | S  | * | 12/2019 | Vardi          | ..... | D24/186                 |
| D879,969     | S  | * | 3/2020  | Sandt          | ..... | D24/186                 |
| D882,432     | S  | * | 4/2020  | Yee            | ..... | A61B 5/0004<br>D24/186  |
| D893,043     | S  | * | 8/2020  | Ou Yang        | ..... | D24/217                 |
| D898,596     | S  | * | 10/2020 | Golnik         | ..... | D10/70                  |
| D900,812     | S  | * | 11/2020 | Friedman       | ..... | D24/188                 |
| D921,204     | S  | * | 6/2021  | Golda          | ..... | D24/186                 |
| D922,225     | S  | * | 6/2021  | Densham        | ..... | D10/70                  |
| D923,495     | S  | * | 6/2021  | Densham        | ..... | D10/70                  |
| D928,329     | S  | * | 8/2021  | Huang          | ..... | D24/186                 |
| D936,504     | S  | * | 11/2021 | Dick           | ..... | D10/70                  |
| D937,426     | S  | * | 11/2021 | Cordle         | ..... | D24/187                 |
| D940,880     | S  | * | 1/2022  | Rondoni        | ..... | D24/186                 |
| D942,448     | S  | * | 2/2022  | Hamre          | ..... | D24/186                 |
| D943,438     | S  | * | 2/2022  | Chen           | ..... | D24/186                 |
| D952,864     | S  | * | 5/2022  | Levy           | ..... | D24/187                 |
| D953,901     | S  | * | 6/2022  | Cound          | ..... | D10/70                  |
| D958,677     | S  | * | 7/2022  | Akana          | ..... | D10/70                  |
| D968,243     | S  | * | 11/2022 | Hammerbeck     | ..... | D10/70                  |
| D969,638     | S  | * | 11/2022 | Umair          | ..... | D10/70                  |
| D980,198     | S  | * | 3/2023  | McIver         | ..... | D14/230                 |
| D996,997     | S  | * | 8/2023  | Umair          | ..... | D10/70                  |
| 2011/0004276 | A1 | * | 1/2011  | Blair          | ..... | A61B 5/0006<br>607/60   |
| 2015/0297137 | A1 | * | 10/2015 | Welch          | ..... | A61B 5/14535<br>600/344 |
| 2019/0365228 | A1 |   | 12/2019 | Rondoni et al. |       |                         |
| 2019/0371478 | A1 |   | 12/2019 | Rondoni et al. |       |                         |
| 2019/0371479 | A1 |   | 12/2019 | Rondoni et al. |       |                         |
| 2020/0138311 | A1 | * | 5/2020  | Min            | ..... | A61B 5/6861             |
| 2022/0079438 | A1 | * | 3/2022  | Baek           | ..... | A61B 5/01               |

## OTHER PUBLICATIONS

New Implant Device, [site visited Oct. 16, 2023]. Available from Internet. URL: <https://www.youtube.com/watch?app=desktop&v=W1zkW7DSXaU> (Year: 2018).\*

Inspire Sleep Apnea Innovation—Programmer Manual. “Programmer Model 2740” Jul. 2020, 112 pages.

\* cited by examiner

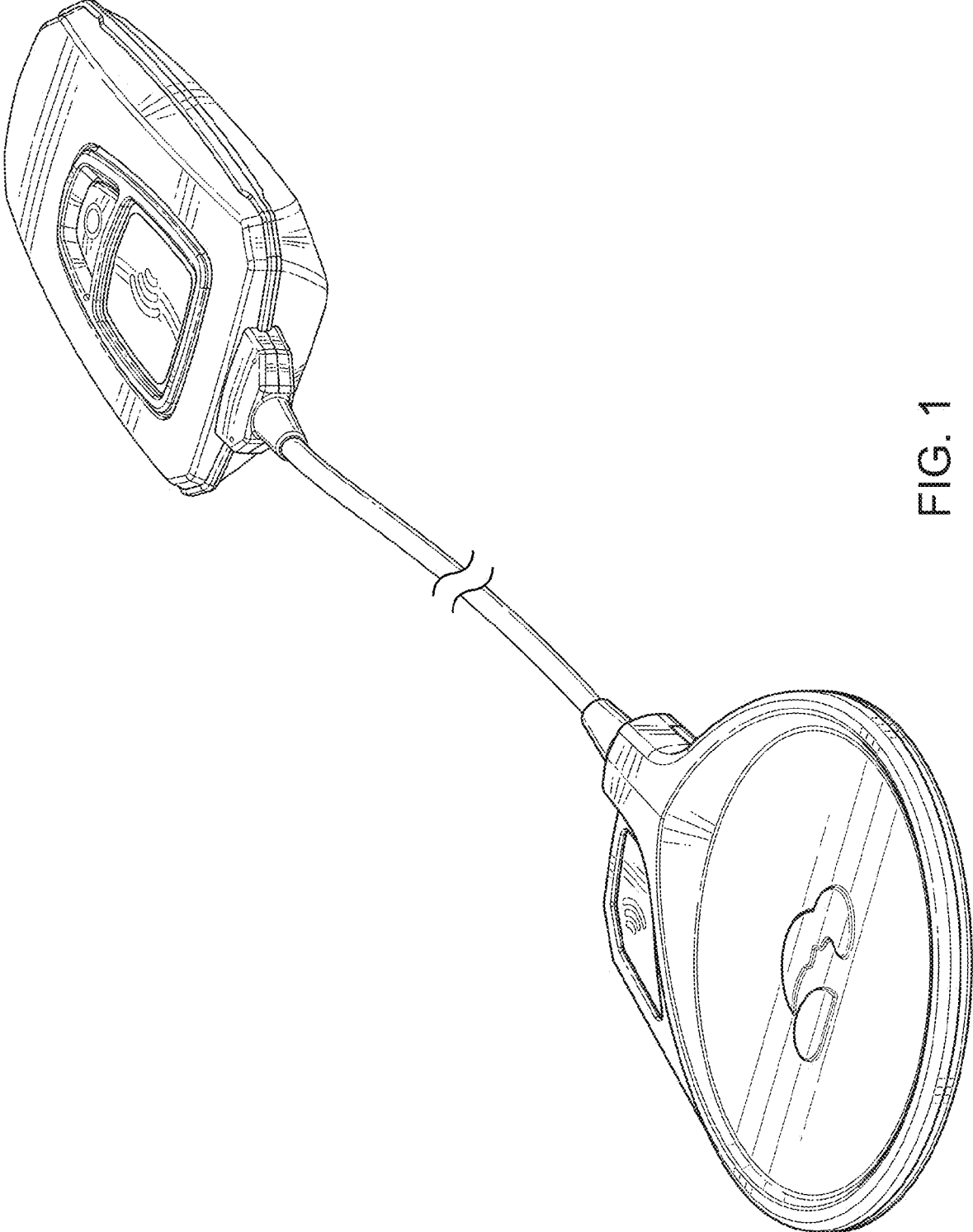


FIG. 1

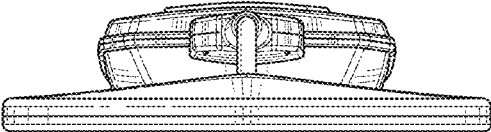


FIG. 2

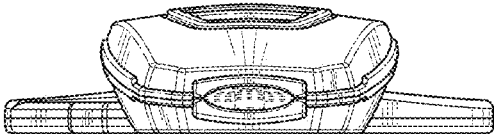


FIG. 3

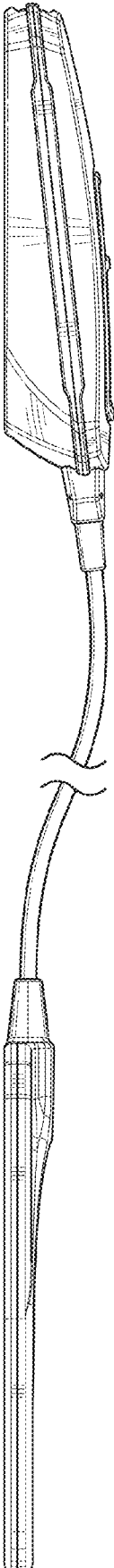


FIG. 4



FIG. 5

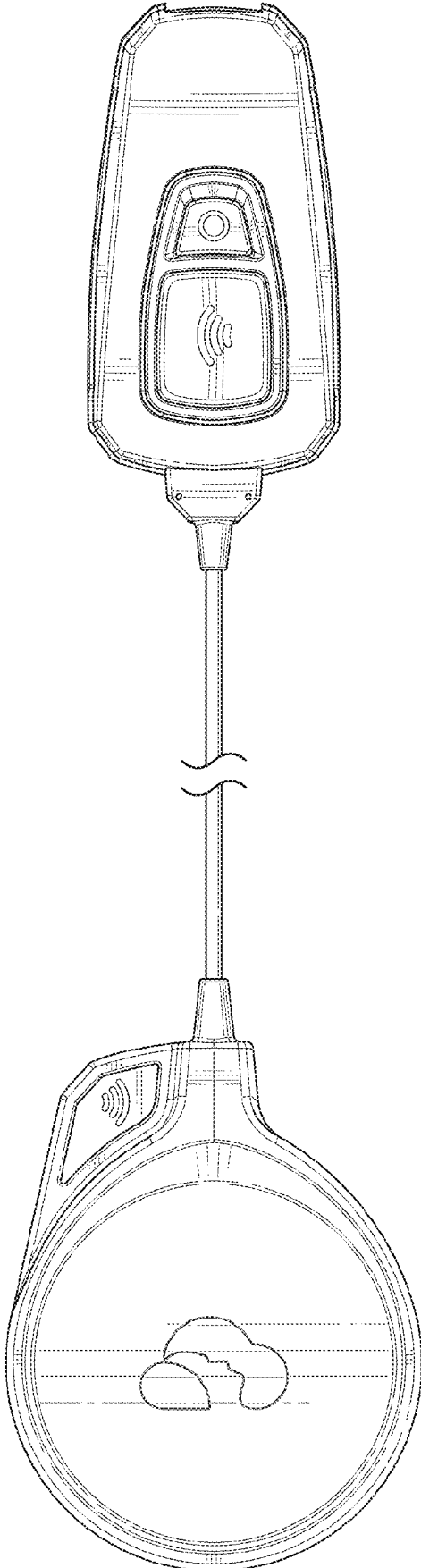


FIG. 6



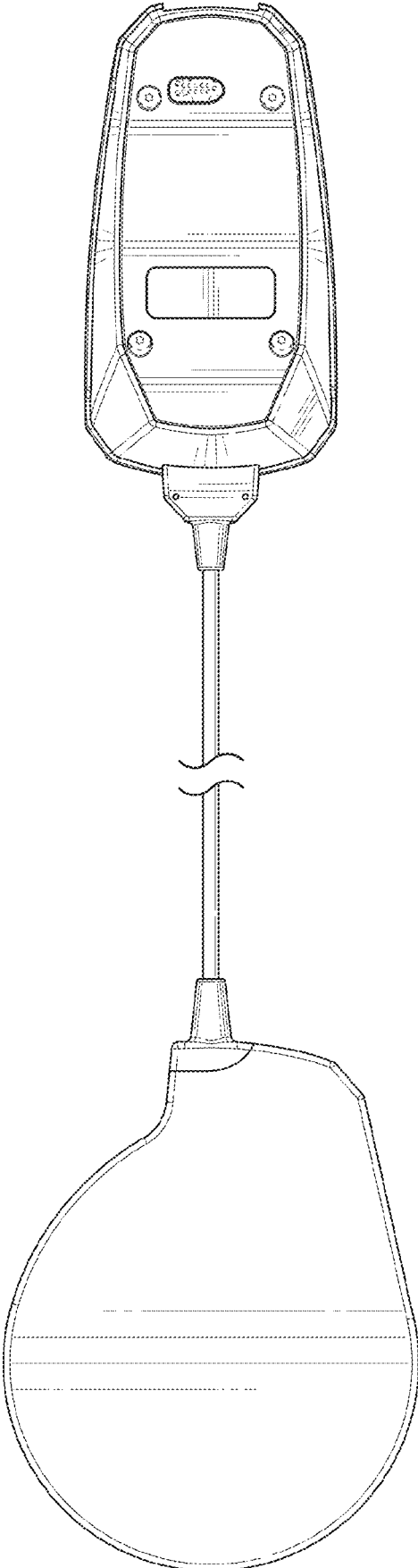


FIG. 7