



US00D431195S

# United States Patent [19] Clivio

[11] Patent Number: Des. 431,195

[45] Date of Patent: \*\* Sep. 26, 2000

[54] WATER TIMER

[75] Inventor: Franco Clivio, Erlenbach, Switzerland

[73] Assignee: Gardena Kress + Kastner GmbH,  
Germany

[\*\*] Term: 14 Years

[21] Appl. No.: 29/100,169

[22] Filed: Feb. 5, 1999

[30] Foreign Application Priority Data

Aug. 8, 1998 [DE] Germany ..... 498 08 205

[51] LOC (7) Cl. .... 10-03

[52] U.S. Cl. .... D10/40

[58] Field of Search ..... D10/1-40, 96,  
D10/122-132; 368/97-100, 107-121, 276-277,  
285, 316, 317; 239/67-70; 137/624.11-624.18

[56] References Cited

### U.S. PATENT DOCUMENTS

D. 127,689 6/1941 Soper ..... D10/40  
D. 365,771 1/1996 Clivio ..... D10/96

D. 377,316 1/1997 Roman et al. .... D10/40  
D. 386,985 12/1997 Cameron ..... D10/40  
4,130,135 12/1978 Moore ..... 137/624.11  
5,826,619 10/1998 Roman ..... 137/624.11

### OTHER PUBLICATIONS

Catalog Gardena '96, published Sep. 1995.

Primary Examiner—Nelson C. Holtje

Attorney, Agent, or Firm—Quarles & Brady LLP

### [57] CLAIM

The ornamental design for a water timer, as shown and described.

### DESCRIPTION

FIG. 1 is a side perspective view of a water timer showing my new design;

FIG. 2 is a top plan view thereof;

FIG. 3 is a front elevation view thereof;

FIG. 4 is a side elevation view thereof;

FIG. 5 is an opposite side elevation view thereof;

FIG. 6 is a rear elevation view thereof; and,

FIG. 7 is a bottom plan view thereof.

1 Claim, 4 Drawing Sheets

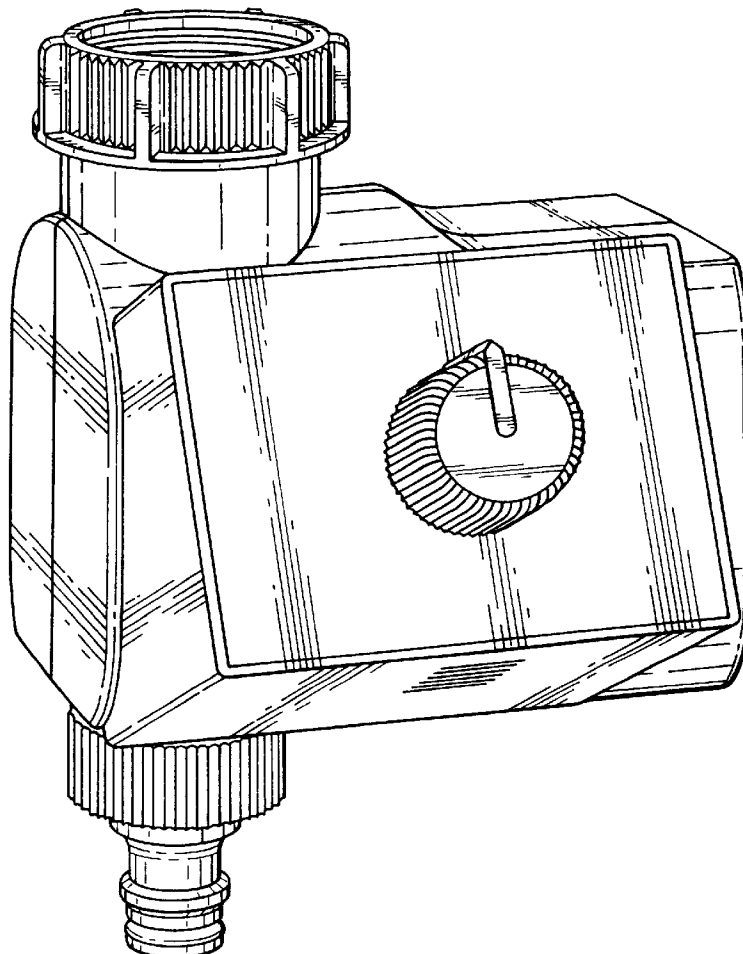
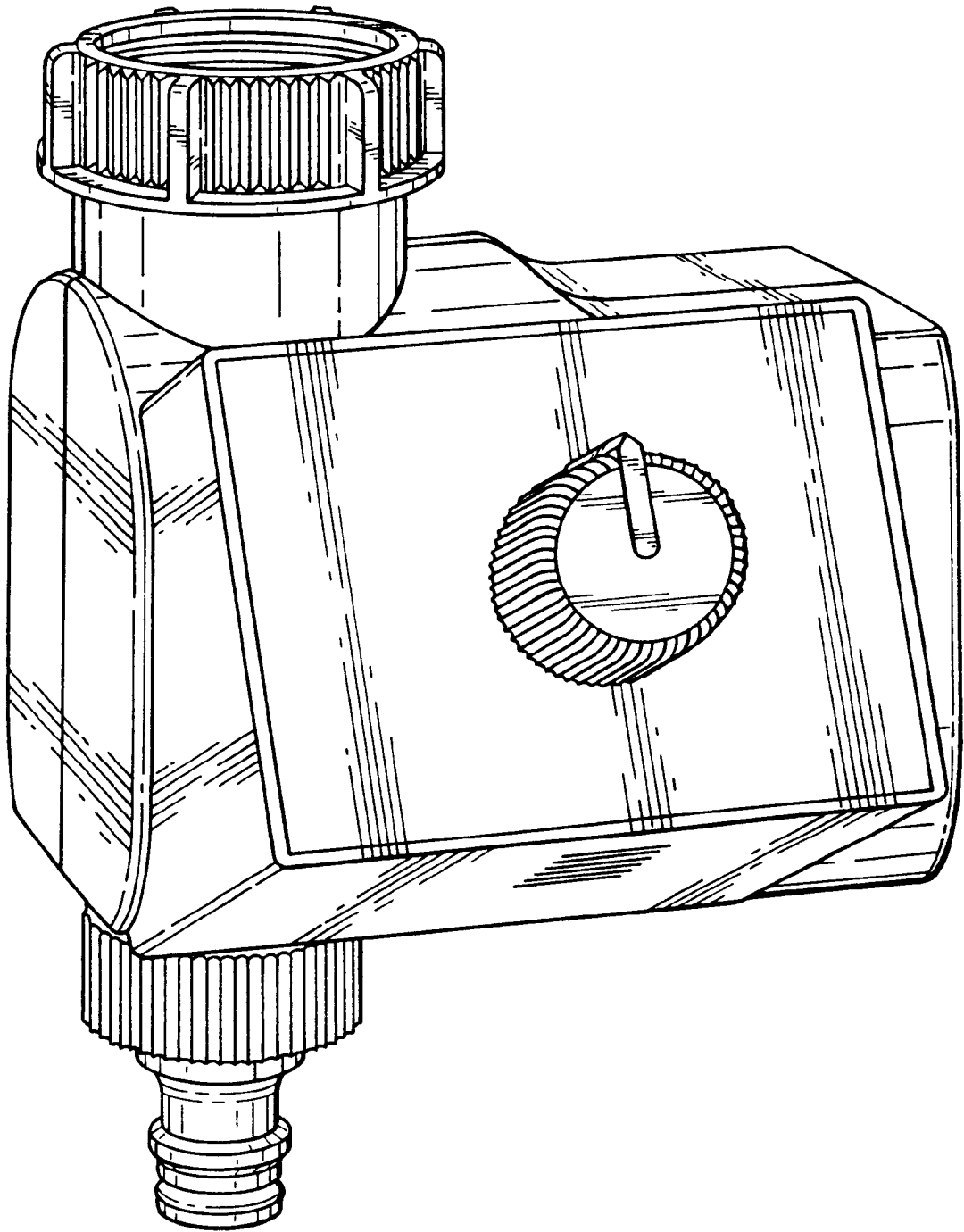


Fig. 1



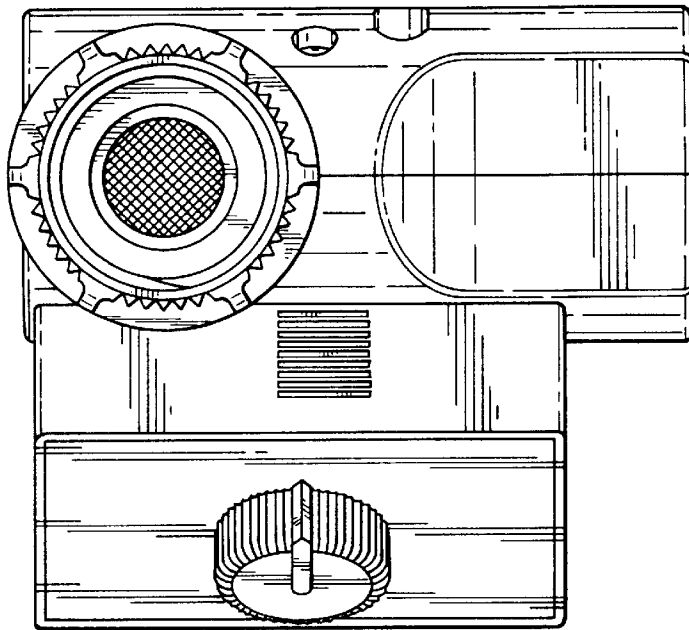


Fig. 2

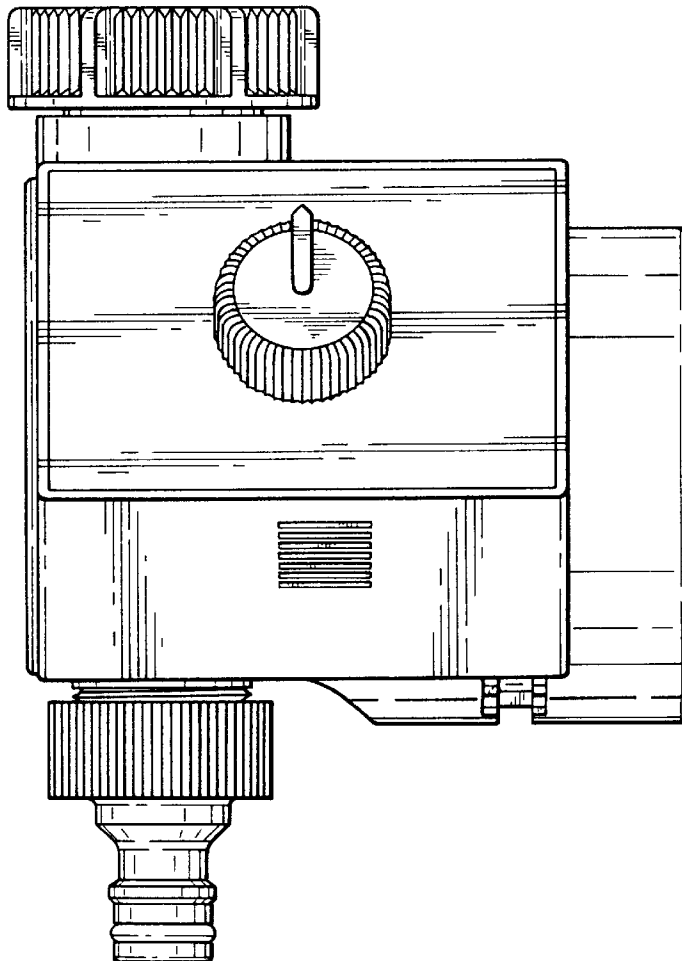


Fig. 3

Fig. 4

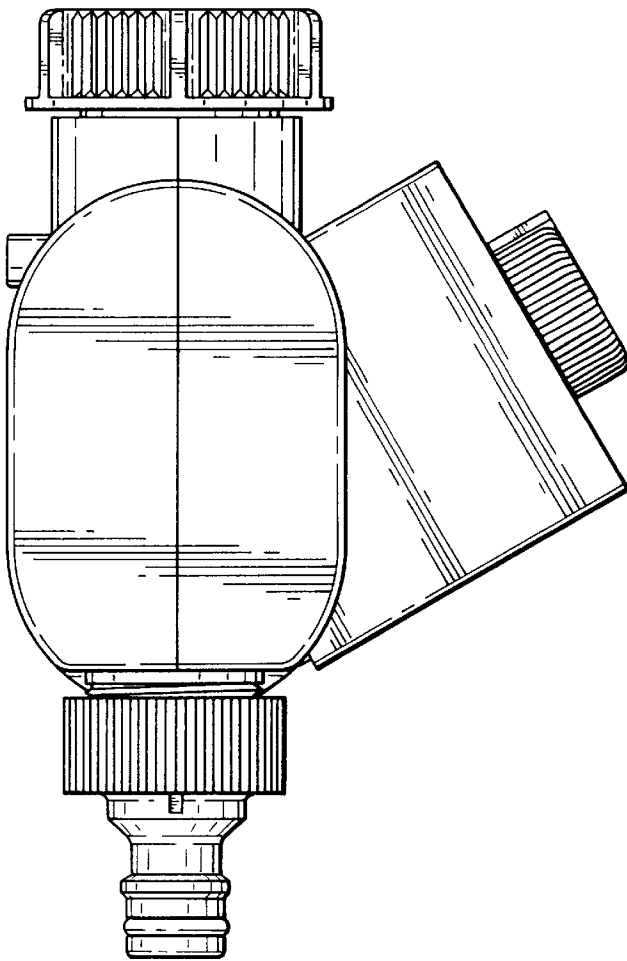
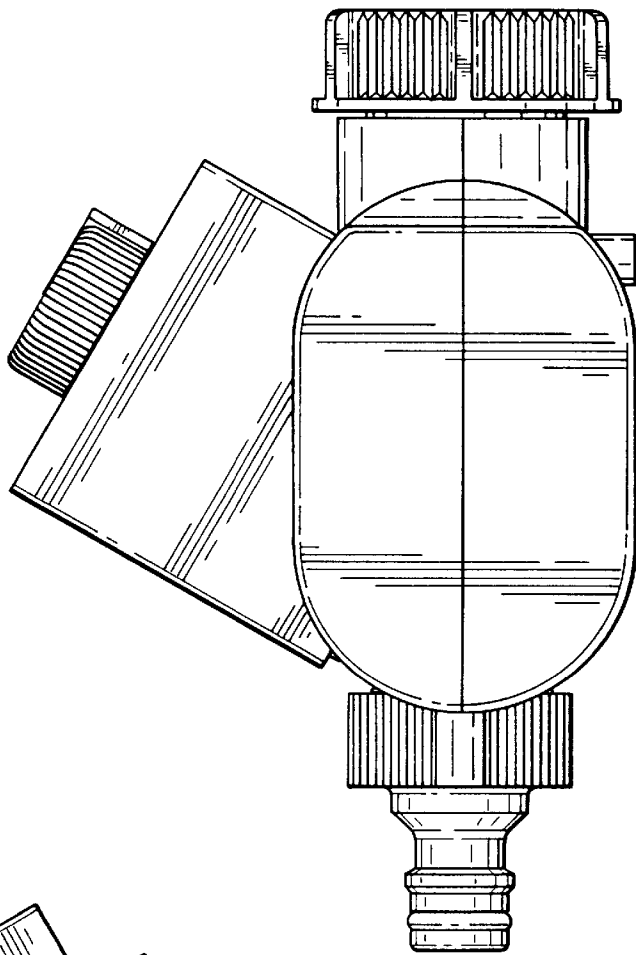


Fig. 5

Fig. 6

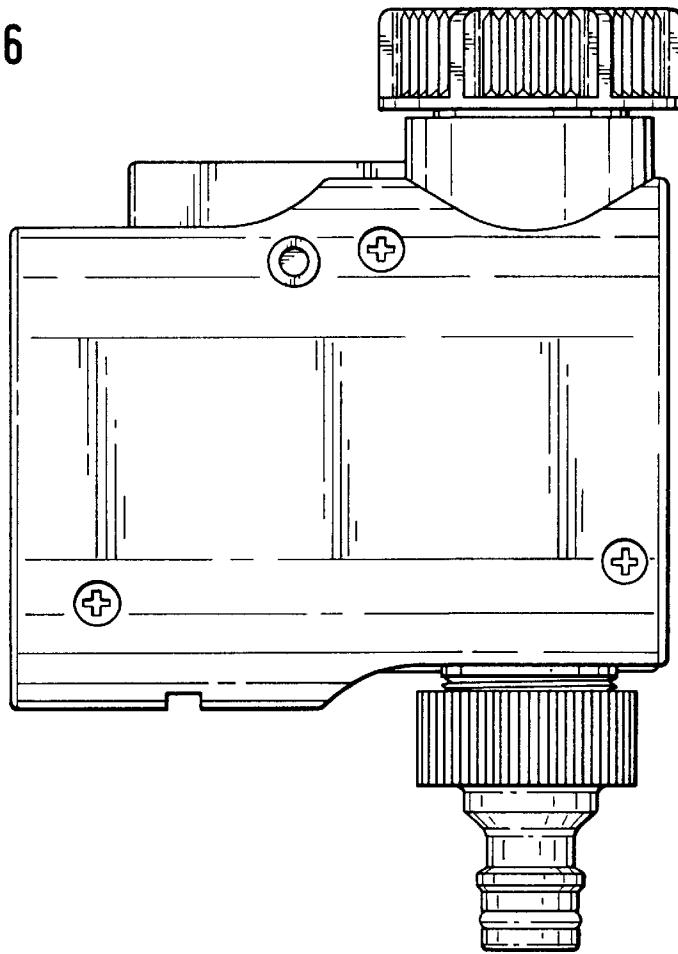


Fig. 7

