



US00D911710S

(12) **United States Design Patent**  
**Karalis**

(10) **Patent No.:** **US D911,710 S**

(45) **Date of Patent:** **\*\* Mar. 2, 2021**

(54) **COLLAPSIBLE BOX**

(71) Applicant: **Instore Products Limited**, Mississauga (CA)

(72) Inventor: **Lambros Karalis**, Toronto (CA)

(73) Assignee: **Instore Products Limited**, Ontario (CA)

(\*\*) Term: **15 Years**

(21) Appl. No.: **29/713,796**

(22) Filed: **Nov. 19, 2019**

(51) **LOC (13) Cl.** ..... **03-01**

(52) **U.S. Cl.**  
USPC ..... **D3/289**

(58) **Field of Classification Search**  
USPC ..... D3/274, 276, 283, 289, 901, 287, 315;  
D7/601  
CPC .... A45C 11/00; A45C 13/02; A45C 2003/008  
See application file for complete search history.

(56) **References Cited**

**U.S. PATENT DOCUMENTS**

D300,986	S *	5/1989	Peregrine	.....	D3/289
D602,253	S *	10/2009	Rees	.....	D3/272
D685,575	S *	7/2013	Cullen	.....	D3/289
D832,579	S *	11/2018	Monroe	.....	D3/307
D834,817	S *	12/2018	Hoppe	.....	D3/263
D845,625	S *	4/2019	Barlier	.....	D3/283
D883,666	S *	5/2020	Kim	.....	D3/276
D883,667	S *	5/2020	Barlier	.....	D3/285
D893,183	S *	8/2020	Eisenhardt	.....	D3/283
2010/0018241	A1 *	1/2010	McCoy	.....	A45C 7/0077 62/457.7
2011/0168598	A1 *	7/2011	Rees	.....	B65D 11/186 206/505

**OTHER PUBLICATIONS**

Amazon, "Earthwise Large Insulated Collapsible Reusable Box Shopping Grocery Bag w/zipper top (2 Pack)", First on sale Arp. 18, 2016. (<https://www.amazon.com/dp/B01EGKLVYIY>) (Year: 2016).\*  
Amazon, "Insulated Pizza Carrier Bag for Food delivery—Foldable Heavy Duty Food Warmer Grocery Bag for Camping Catering Restaurants (Black Large)", First on sale Jul. 30, 2020. (<https://www.amazon.ca/dp/B07YJK2KC2/>) (Year: 2020).\*  
Amazon, "Green Bulldog Reusable Grocery Bags—Heavy Duty, Foldable, Washable Canvas Tote Shopping Bags—Box Bag w/ Straps and Handles (Set of 3)—Gray", First reviewed May 16, 2019. (<https://www.amazon.com/dp/B07GSKFCJF/>) (Year: 2019).\*

\* cited by examiner

*Primary Examiner* — April Rivas

(74) *Attorney, Agent, or Firm* — Bachman & LaPointe, PC

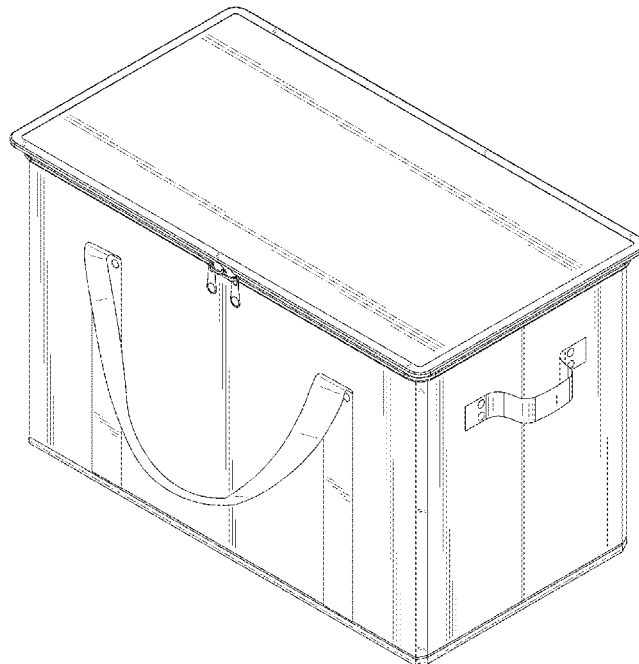
(57) **CLAIM**

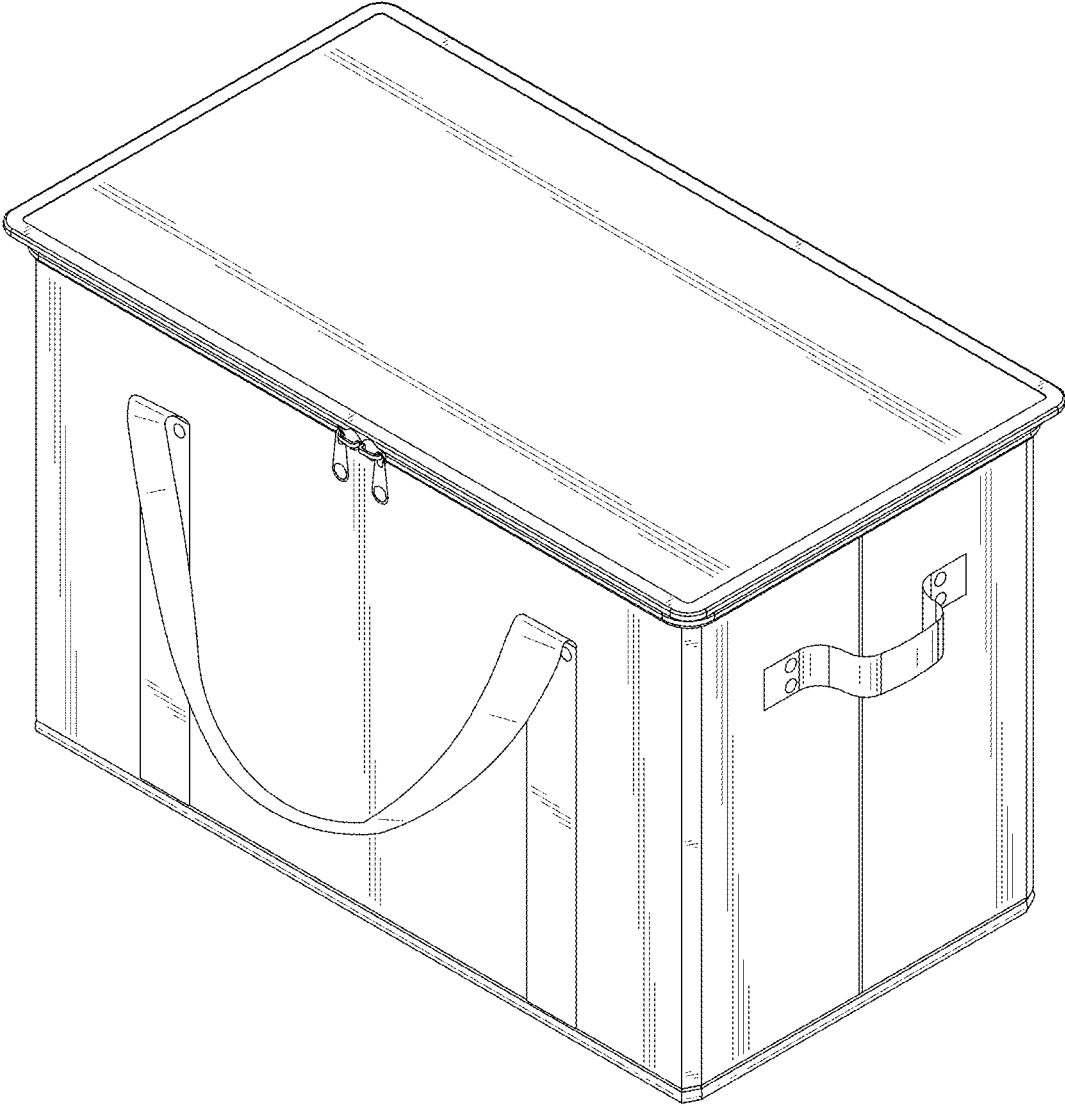
The ornamental design for a collapsible box, as shown.

**DESCRIPTION**

FIG. 1 is an upper perspective view of a collapsible box showing my new design;  
FIG. 2 is a lower perspective view of the design of FIG. 1;  
FIG. 3 is a side view of the design of FIG. 1;  
FIG. 4 is a reverse side view of the design of FIG. 1;  
FIG. 5 is an end view of the design of FIG. 1;  
FIG. 6 is a reverse end view of the design of FIG. 1;  
FIG. 7 is a top view of the design of FIG. 1; and,  
FIG. 8 is a bottom view of the design of FIG. 1.

**1 Claim, 5 Drawing Sheets**





*FIG. 1*

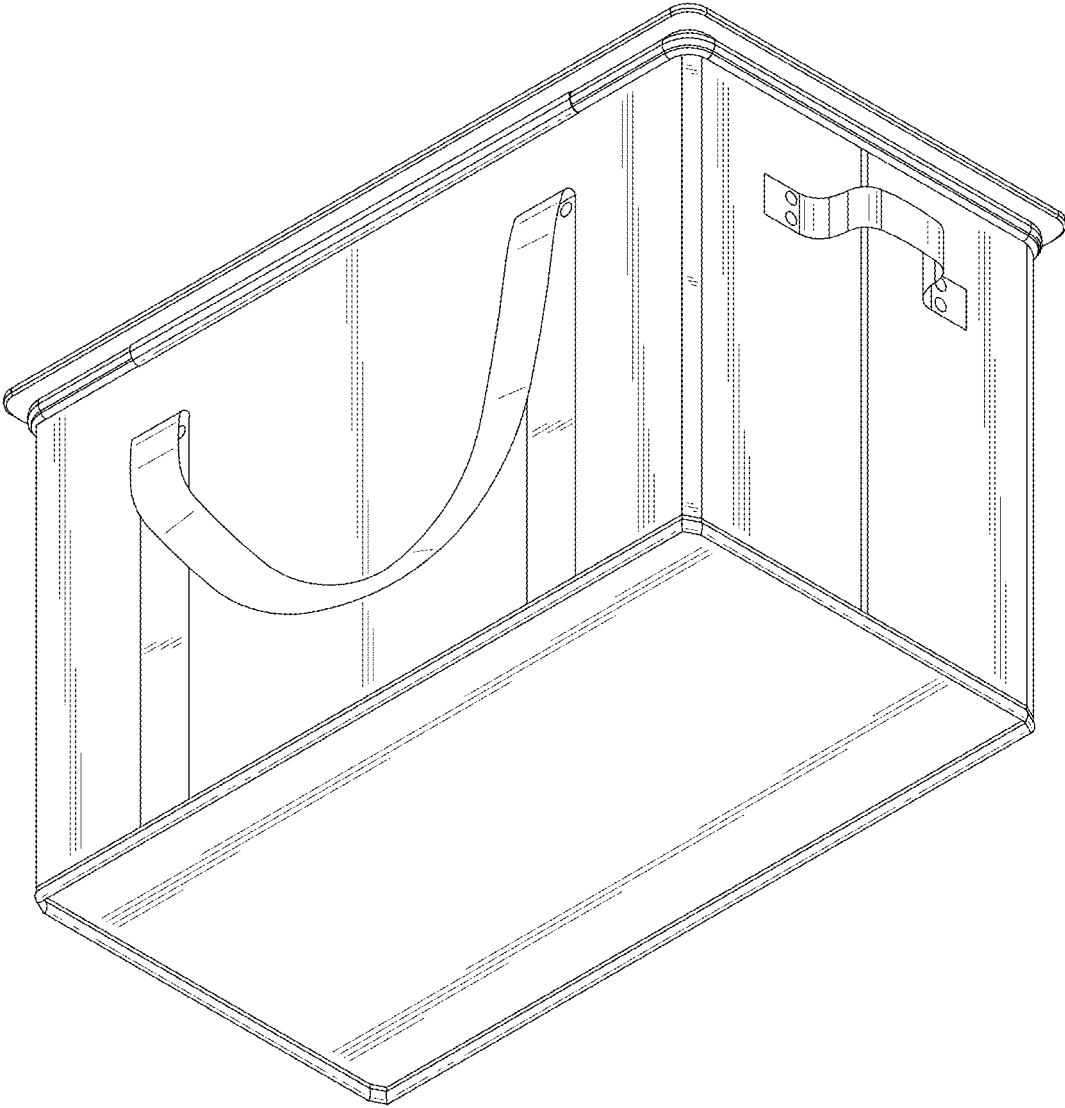


FIG. 2

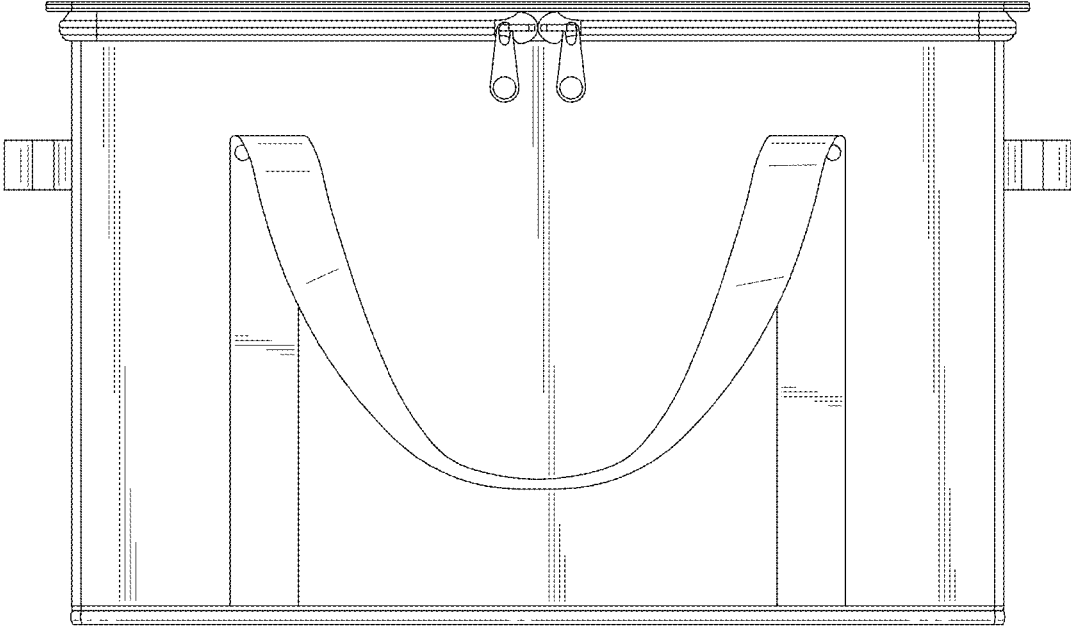


FIG. 3

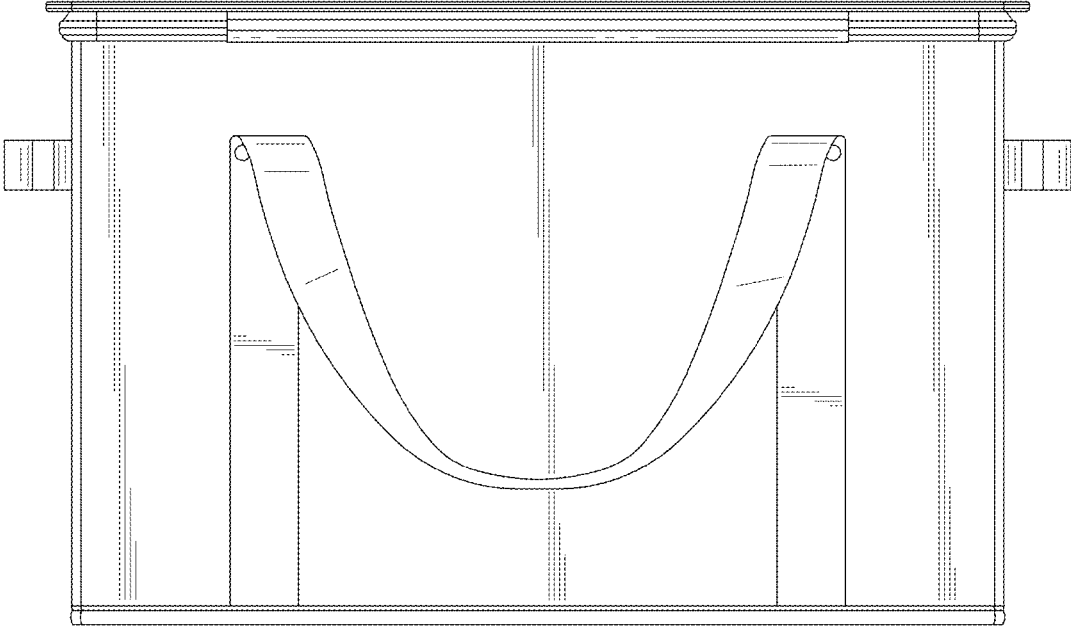


FIG. 4

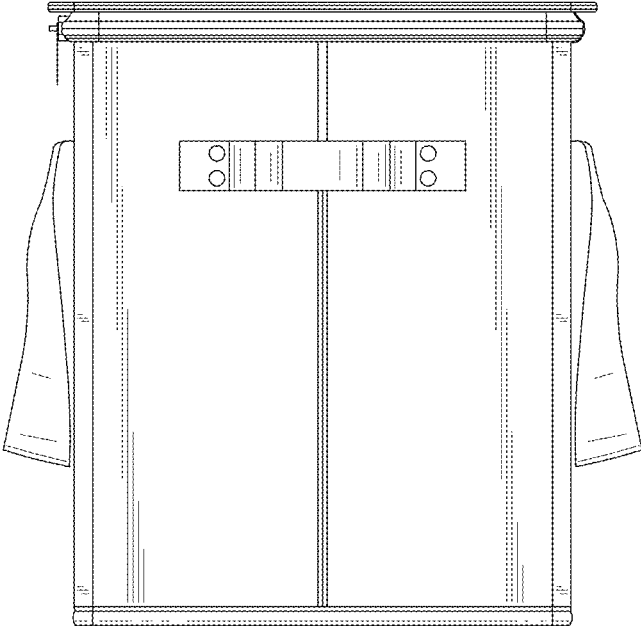


FIG. 5

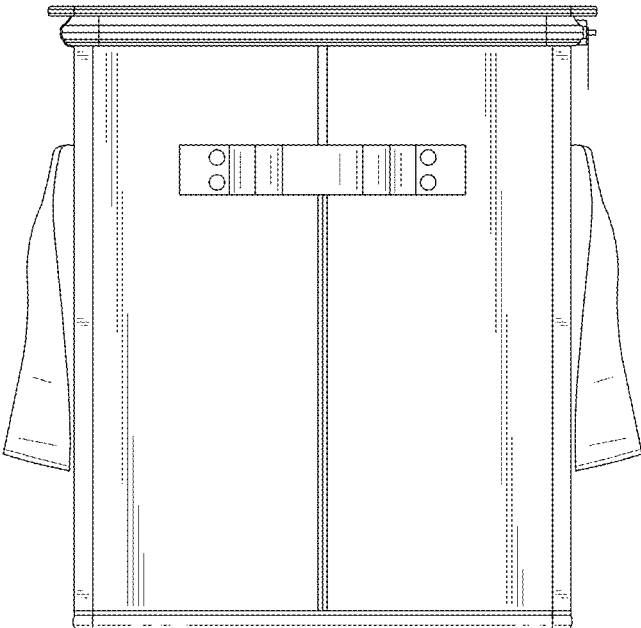


FIG. 6

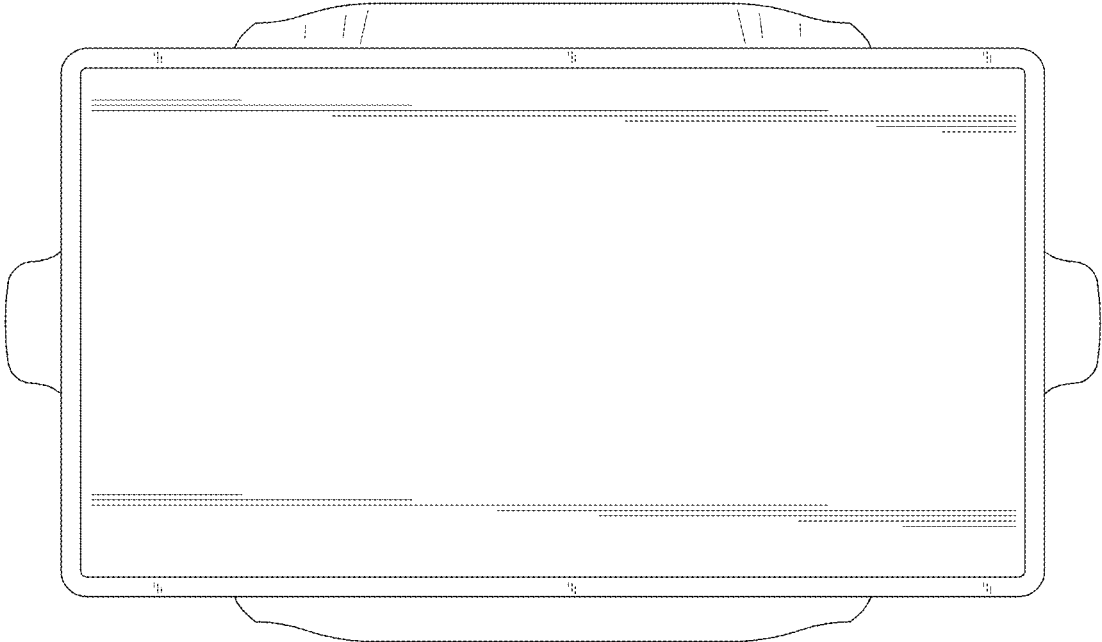


FIG. 7

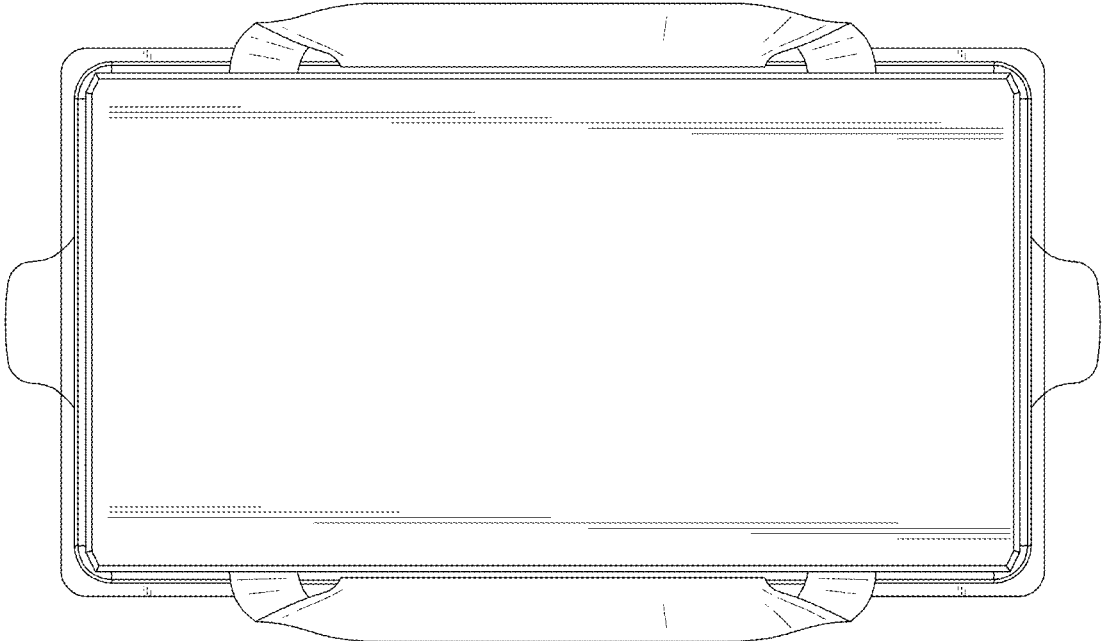


FIG. 8