



US0D1005275S

(12) **United States Design Patent**
Ling

(10) **Patent No.:** **US D1,005,275 S**

(45) **Date of Patent:** **** Nov. 21, 2023**

(54) **MOBILE PHONE COVER**

D933,643 S * 10/2021 Liao D14/250
D949,840 S * 4/2022 Ling D14/250
D975,700 S * 1/2023 Gao D14/250

(71) Applicant: **Shen Zhen TwinStar Telecom Co. Ltd.**, Shenzhen (CN)

(Continued)

(72) Inventor: **Jie Ling**, Shenzhen (CN)

OTHER PUBLICATIONS

(73) Assignee: **Shen Zhen TwinStar Telecom Co. Ltd.**

SupCase Unicorn Beetle Pro Series Full-Body Rugged Holster Case, publication date Sep. 4, 2020, [online] URL: <https://www.amazon.co.uk/SupCase-Unicorn-Release-Protector-Full-Body/dp/B08HV6Z2QC/> (Year: 2020).*

(**) Term: **15 Years**

(Continued)

(21) Appl. No.: **29/823,309**

Primary Examiner — L. A. Grabenstetter

(22) Filed: **Jan. 16, 2022**

(74) *Attorney, Agent, or Firm* — Jose Cherson Weissbrot

(51) **LOC (14) Cl.** **14-03**

(57) **CLAIM**

(52) **U.S. Cl.**

The ornamental design for a mobile phone cover, as shown and described.

USPC **D14/250**

DESCRIPTION

(58) **Field of Classification Search**

USPC D3/201, 218, 247, 249, 269, 303, 327,
D3/328; D14/215, 217, 232, 243, 248,
D14/249, 250–253, 432, 440; D13/107,
D13/108, 118, 119

CPC H04B 1/3888; H04M 1/0283; H04M
1/0202; A45F 2005/028; A45F 2200/0525

See application file for complete search history.

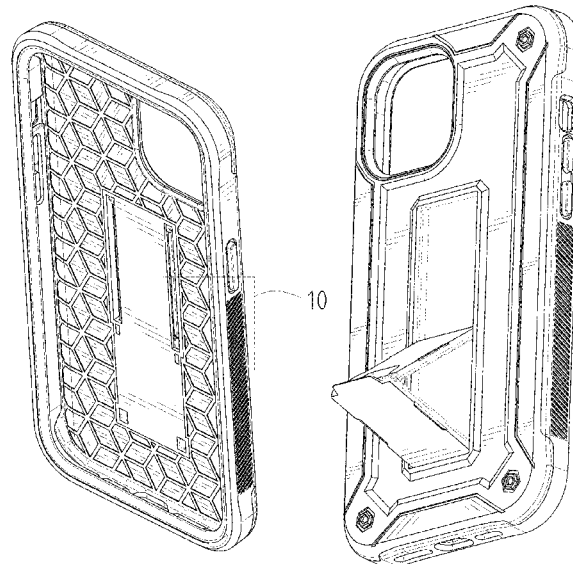
FIG. 1 is a front perspective view of a mobile phone cover showing my new design;
FIG. 2 is a back perspective view thereof;
FIG. 3 is a front view thereof;
FIG. 4 is a back view thereof;
FIG. 5 is a left side view thereof;
FIG. 6 is a right side view thereof;
FIG. 7 is a top view thereof;
FIG. 8 is a bottom view thereof;
FIG. 9 is a front perspective view of another state of the mobile phone cover thereof; and,
FIG. 10 is a partial enlarged view of portion “10” in FIG. 1. The dash-dash broken lines shown in the drawings depict portions of the mobile phone cover in which the design is embodied that form no part of the claimed design. The dot-dash broken line rectangles in FIGS. 1 and 10 are provided for the purpose of indicating the portion included in the partial enlarged view and form no part of the claimed design.

(56) **References Cited**

U.S. PATENT DOCUMENTS

D709,486 S *	7/2014	Lin	D14/250
D726,170 S *	4/2015	Ng	D14/250
D794,626 S *	8/2017	Armstrong	D14/250
D848,366 S *	5/2019	Lian	D13/103
D853,402 S *	7/2019	Yang	D14/440
D862,446 S *	10/2019	Jia	D14/250
D868,052 S *	11/2019	Jia	D14/250
D868,790 S *	12/2019	Weng	D14/440
D879,083 S *	3/2020	Feng	D14/250
D888,032 S *	6/2020	Armstrong	D14/250
D898,016 S *	10/2020	Liang	D14/250
D906,338 S *	12/2020	Hyun	D14/440

1 Claim, 10 Drawing Sheets



(56)

References Cited

U.S. PATENT DOCUMENTS

D983,187 S * 4/2023 Ma D14/250
2021/0345741 A1 * 11/2021 Armstrong H04B 1/3888

OTHER PUBLICATIONS

CaseBorne ArmadilloTek V Compatible with iPhone 14, publication date Aug. 4, 2021, [online] URL: <https://www.amazon.com/CaseBorne-ArmadilloTek-Compatible-iPhone-Built/dp/B09BXYKBDZ> (Year: 2021).*

* cited by examiner

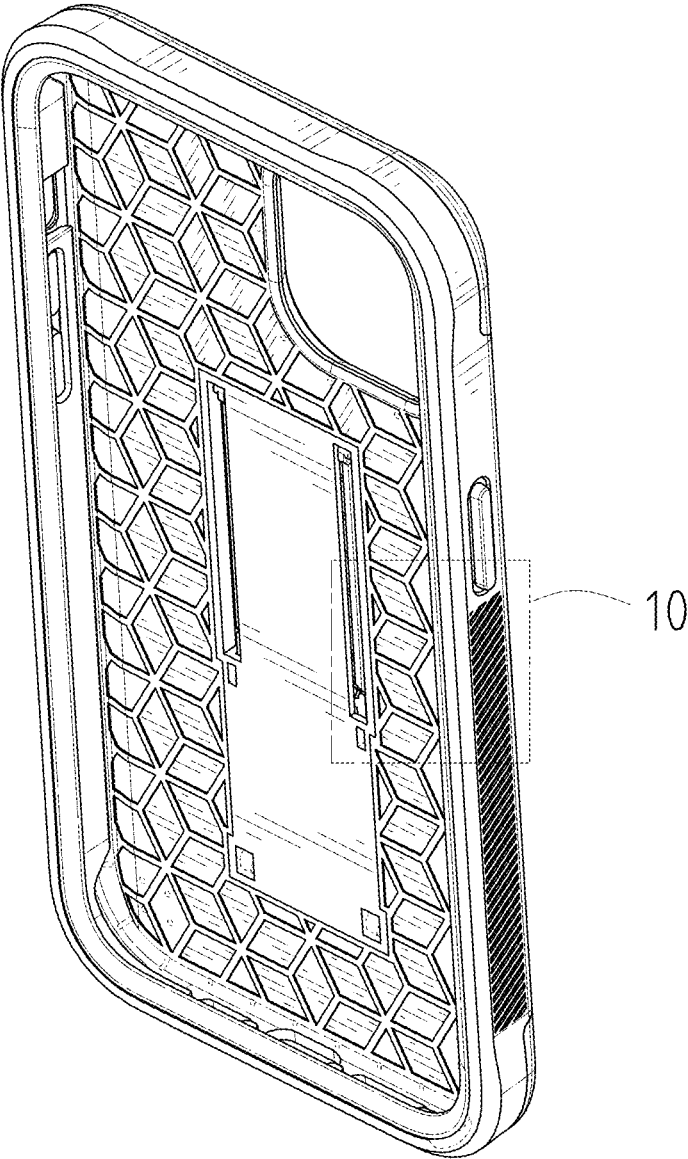


FIG. 1

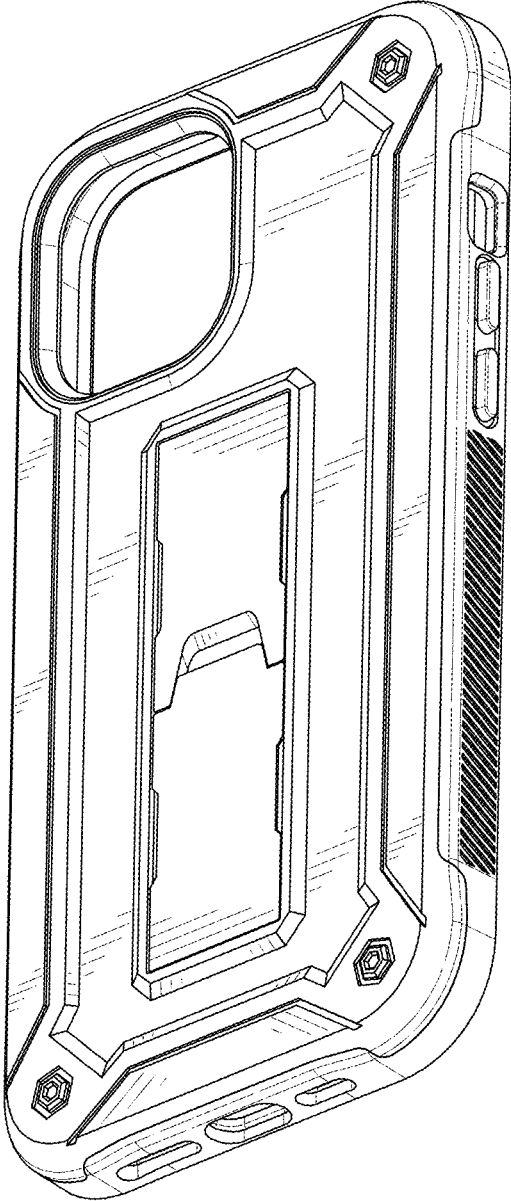


FIG. 2

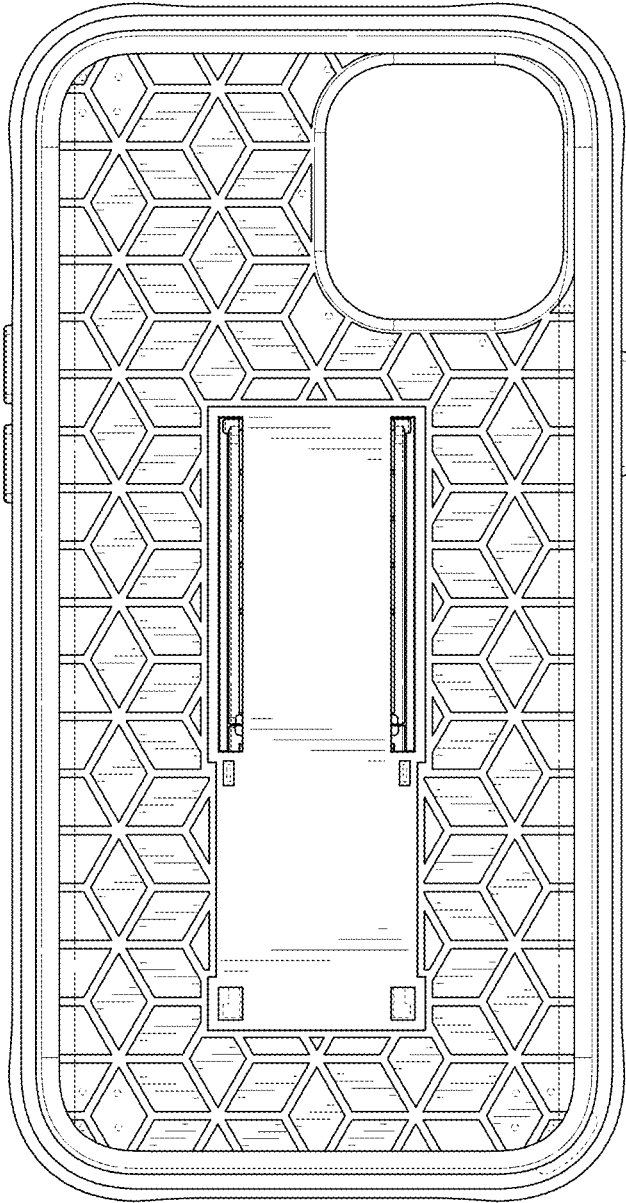


FIG. 3

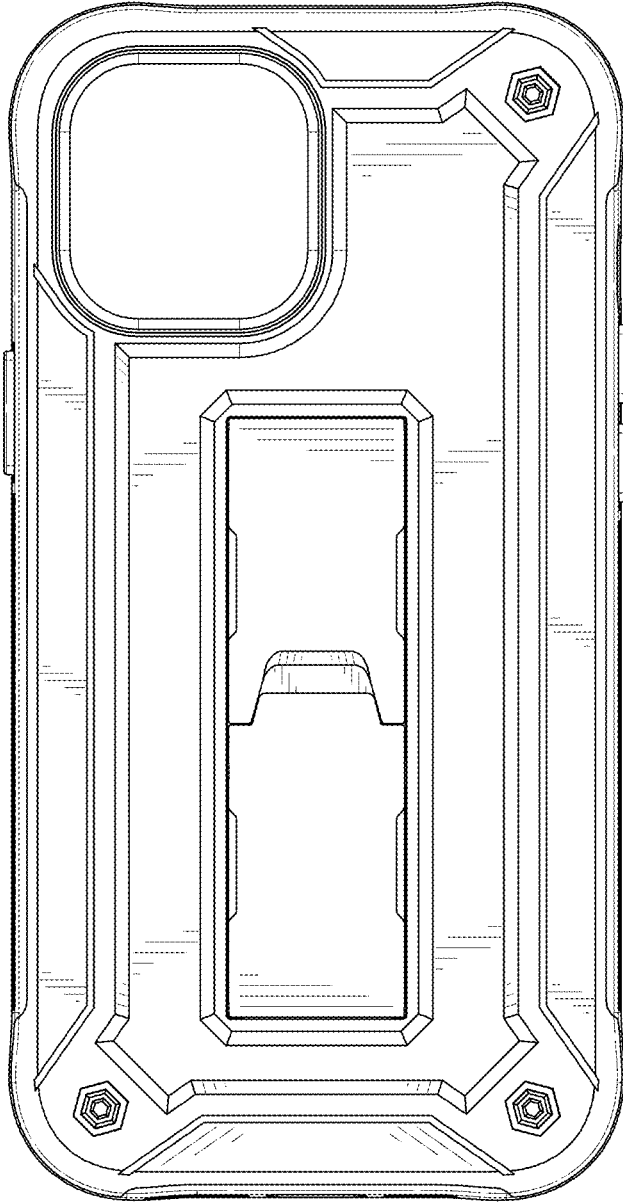


FIG. 4

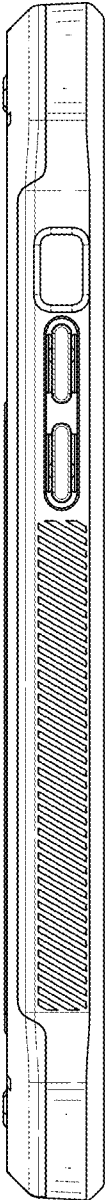


FIG. 5

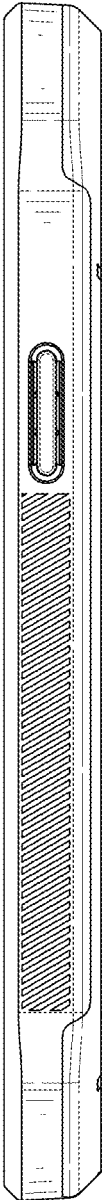


FIG. 6

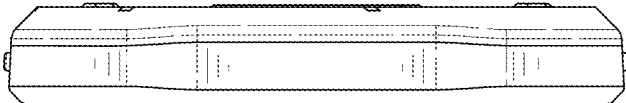


FIG. 7

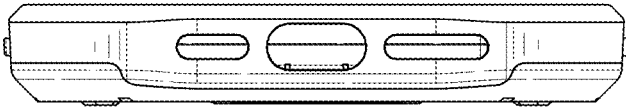


FIG. 8

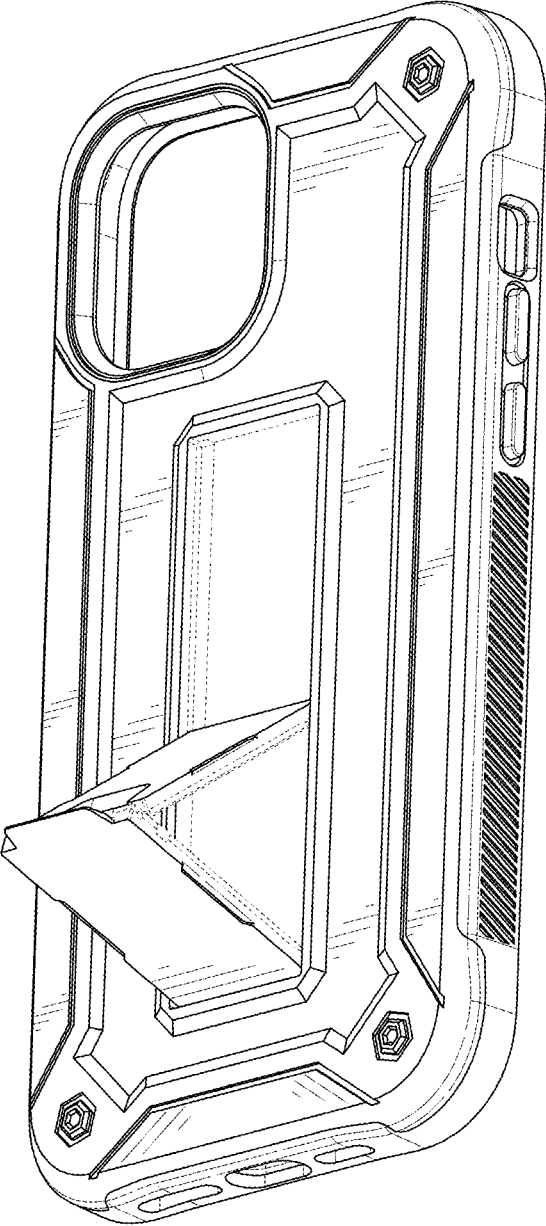


FIG. 9

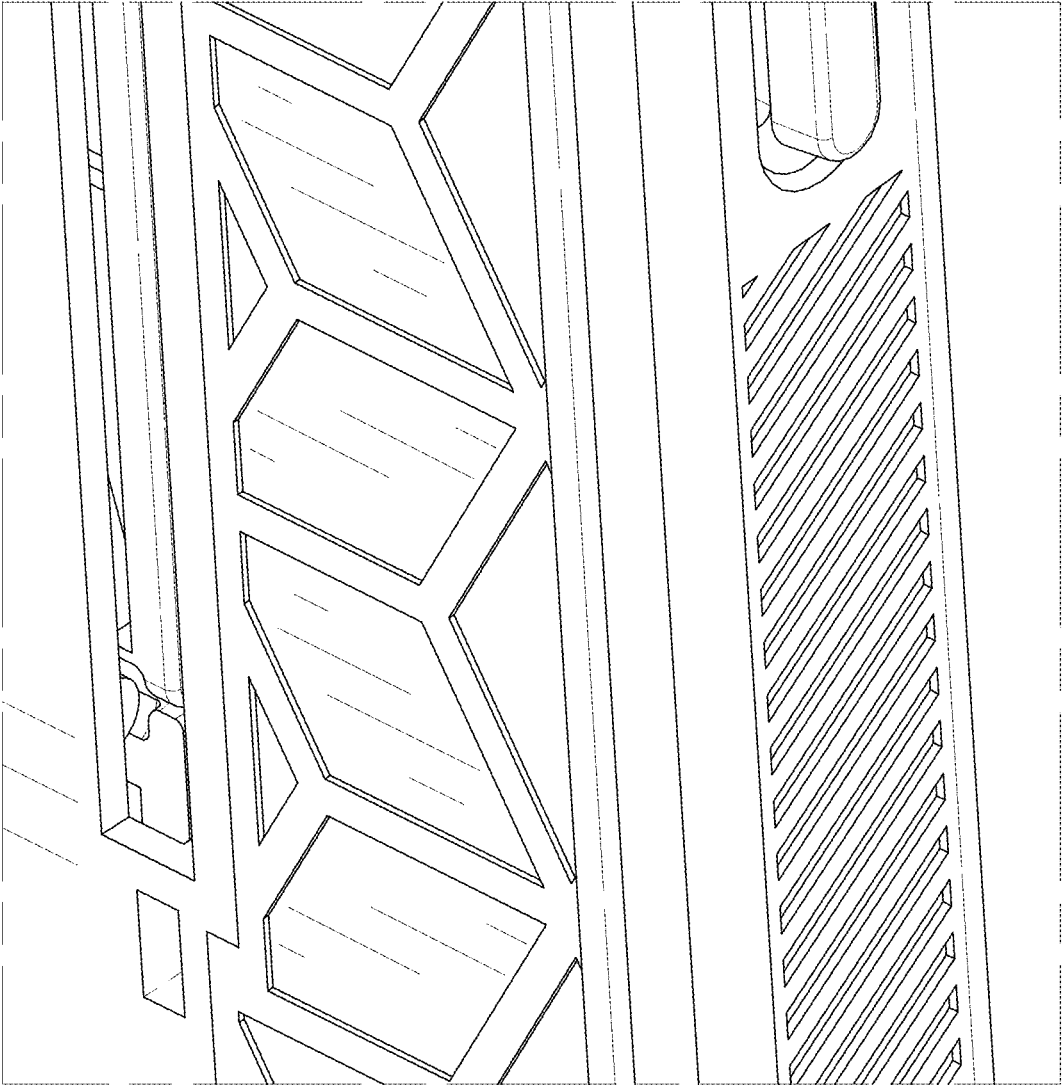


FIG. 10