



US00D697474S

(12) **United States Design Patent**
Manneschi

(10) **Patent No.:** **US D697,474 S**

(45) **Date of Patent:** **** Jan. 14, 2014**

(54) **BATTERY CHARGER**

(75) Inventor: **Alessandro Manneschi, Arezzo (IT)**

(73) Assignee: **Costruzioni Elettroniche Industriali
Automatismi S.p.A. C.E.I.A. S.p.A.,
Frazione Vicomaggio (IT)**

(**) Term: **14 Years**

(21) Appl. No.: **29/431,383**

(22) Filed: **Sep. 6, 2012**

(51) **LOC (10) Cl.** **13-02**

(52) **U.S. Cl.**
USPC **D13/108**

(58) **Field of Classification Search**
USPC D13/107-110, 118-119, 184, 199;
D14/217, 251, 253, 432, 434;
320/107-115

See application file for complete search history.

(56) **References Cited**

U.S. PATENT DOCUMENTS

5,946,637	A *	8/1999	Umbach et al.	455/573
D506,437	S *	6/2005	Nishizawa	D13/108
7,456,608	B2 *	11/2008	Kageler et al.	320/114
D605,588	S *	12/2009	Nomi et al.	D13/108

7,936,148	B2 *	5/2011	Roehm et al.	320/112
8,242,744	B2 *	8/2012	Matsuoka et al.	320/115
2008/0303481	A1 *	12/2008	Silverbrook	320/115
2009/0267559	A1 *	10/2009	Toya et al.	320/108

* cited by examiner

Primary Examiner — Rosemary K Tarcza

(74) *Attorney, Agent, or Firm* — Stites & Harbison PLLC;
Douglas E. Jackson

(57) **CLAIM**

The ornamental design for a battery charger, as shown and described.

DESCRIPTION

FIG. 1 is a rear view of a battery charger showing the new design.

FIG. 2 is a front view thereof.

FIG. 3 is a bottom view thereof.

FIG. 4 is a top view thereof.

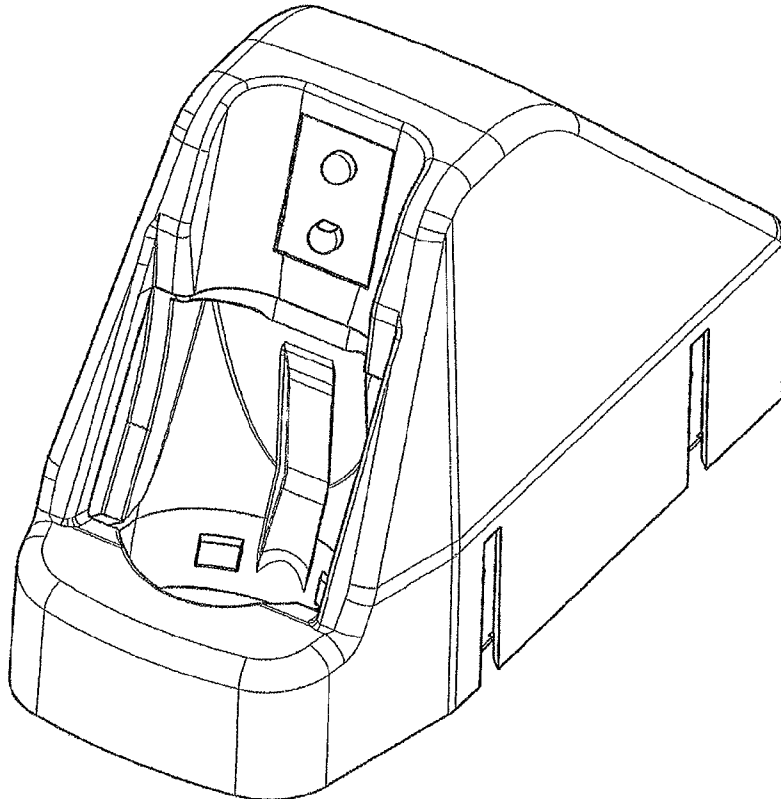
FIG. 5 is a right side view thereof.

FIG. 6 is left side view thereof; and,

FIG. 7 is a front, top and right side perspective view thereof.

The broken lines shown in the drawings are included for the purpose of illustrating environmental structure and form no part of the claimed design.

1 Claim, 7 Drawing Sheets



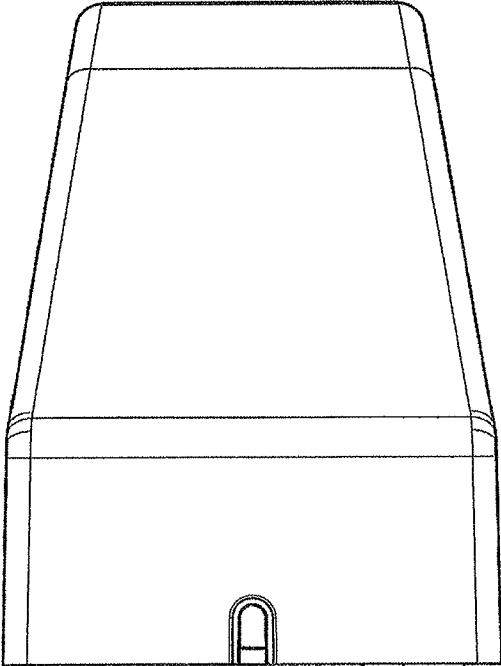


FIG. 1

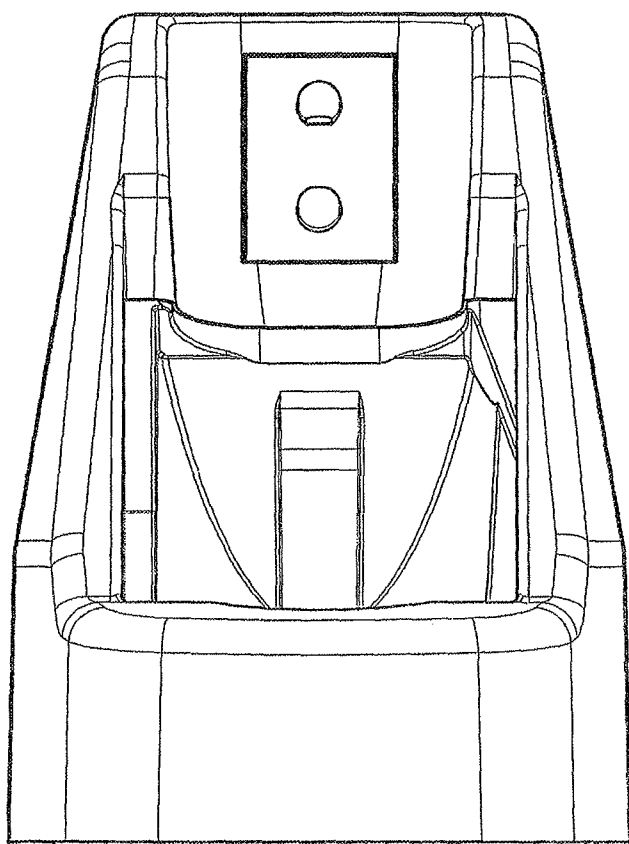


FIG. 2

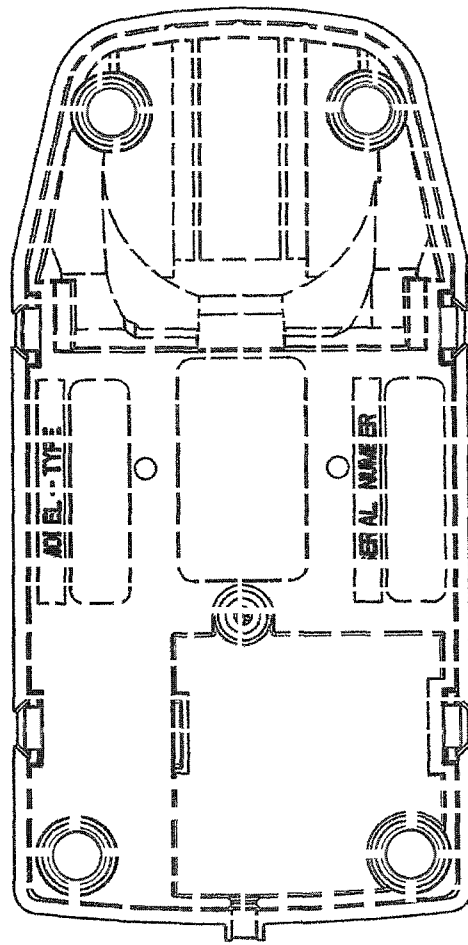


FIG. 3

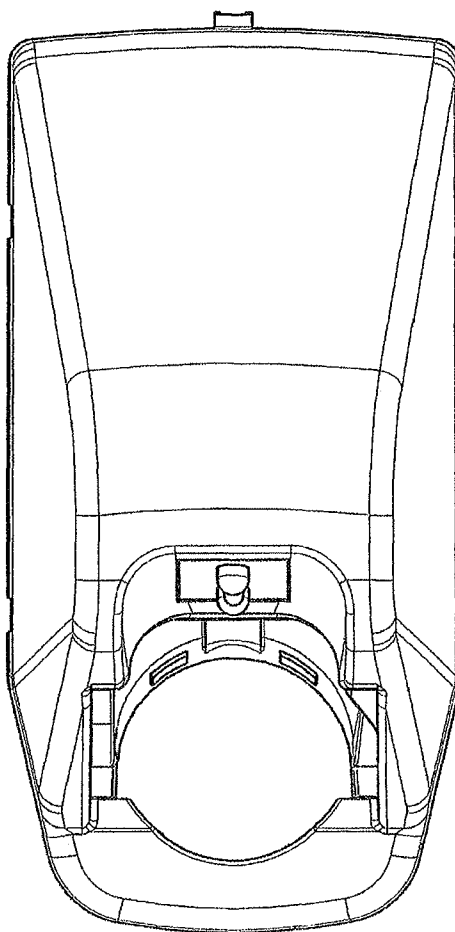


FIG. 4

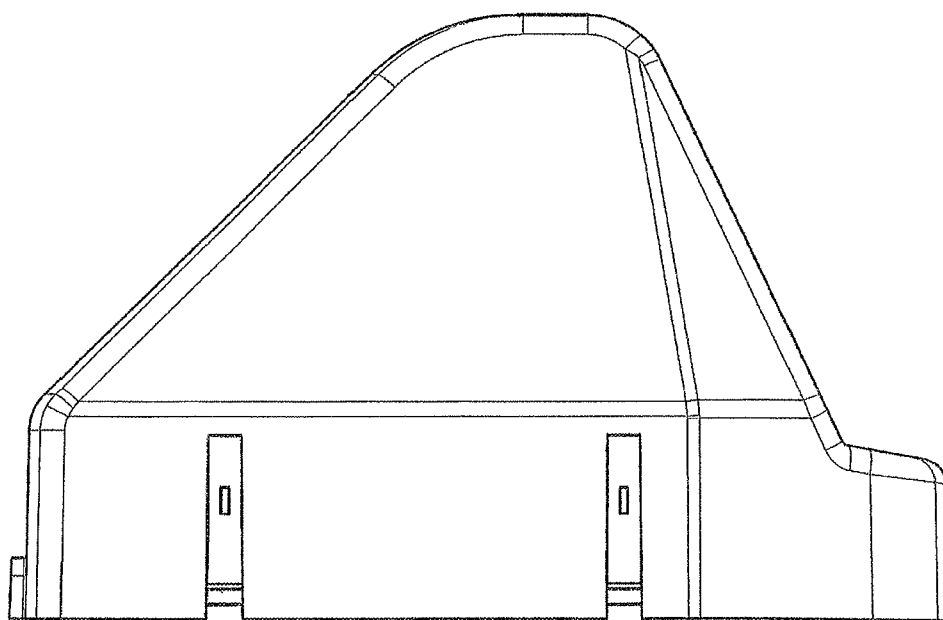


FIG. 5

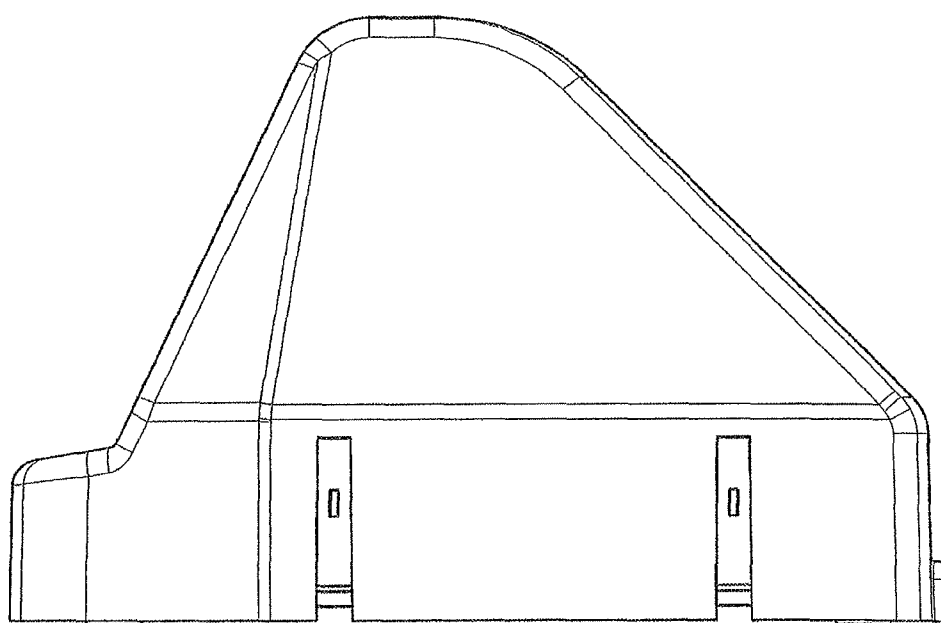


FIG. 6

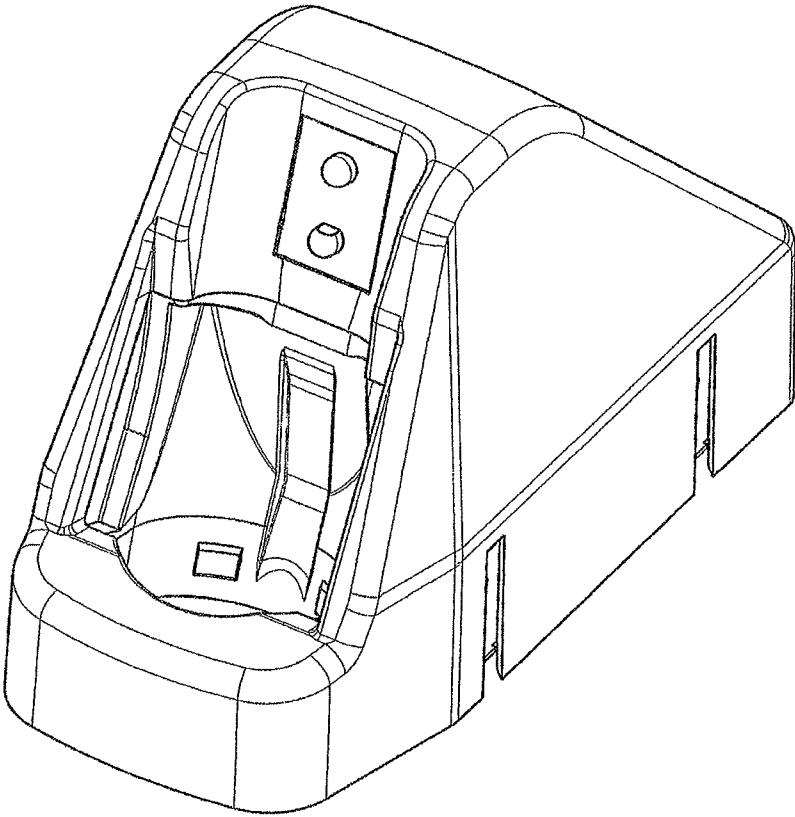


FIG. 7