

(12) **UK Patent Application** (19) **GB** (11) **2464007** (13) **A**

(43) Date of Reproduction by UK Office **07.04.2010**

(21) Application No: **0922493.2**  
(22) Date of Filing: **19.06.2008**  
(30) Priority Data:  
(31) **0712018** (32) **21.06.2007** (33) **GB**  
(86) International Application Data:  
**PCT/EP2008/004932 En 19.06.2008**  
(87) International Publication Data:  
**WO2008/155116 En 24.12.2008**

(51) INT CL:  
**B65F 1/14** (2006.01) **B65F 1/16** (2006.01)

(56) Documents Cited by ISA:  
**CH 000690299 A5** **DE 009205867 U1**  
**DE 004235457 A1** **US 3893615 A**

(58) Field of Search by ISA:  
INT CL **B65B, B65F**  
Other: **EPO - Internal**

(71) Applicant(s):  
**Thomas Gerard Fairbairn  
The Waste Recycle Company, 4 Demesne Road,  
SEAFORDE, County Down, BT30 8SG,  
United Kingdom**  
(72) Inventor(s):  
**Thomas Gerard Fairbairn**  
(74) Agent and/or Address for Service:  
**Serjeants  
25 The Crescent, King Street, LEICESTER, LE1 6RX,  
United Kingdom**

(54) Title of the Invention: **A Support Apparatus**  
Abstract Title: **A Support Apparatus**

(57) A support apparatus for a refuse bag or bags comprises a support frame 10, the support frame having an upstanding lip 12 which defines an opening 11 for a refuse bag. The upstanding lip has a plurality of protrusions 14 on which a refuse bag may be engaged to maintain the bag in an open condition. A lid 18 is provided which has a depending surround 20 which in use engages over the lip 12. The support apparatus may be mounted on a stand or may be wall mounted.

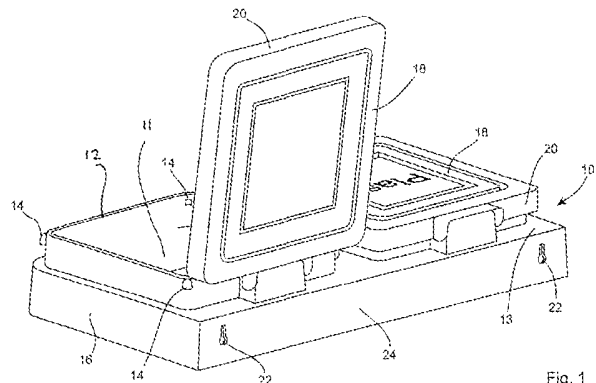


Fig. 1

**GB 2464007 A**