



US00D413802S

# United States Patent [19]

[11] Patent Number: **Des. 413,802**

Glover et al.

[45] Date of Patent: **\*\* Sep. 14, 1999**

[54] **CARTON**

4,498,619	2/1985	Roccaforte	.....	229/117.13
4,567,070	1/1986	Karass	.....	229/939 X
5,320,277	6/1994	Stout et al.	.....	229/117.13
5,385,234	1/1995	Stout et al.	.....	229/117.13 X

[75] Inventors: **Andrew J. Glover; Gavin J. Mounce**, both of Launceston; **Michael J. Bates**, Bude, all of United Kingdom

### FOREIGN PATENT DOCUMENTS

[73] Assignee: **David S. Smith Packaging Limited**, Cornwall, United Kingdom

0352534	1/1990	European Pat. Off.	.....	229/117.13
846880	8/1960	United Kingdom	.	

[\*\*] Term: **14 Years**

*Primary Examiner*—Prabhakar Deshmukh  
*Attorney, Agent, or Firm*—Dann, Dorfman, Herrell and Skillman, P.C.; Henry H. Skillman

[21] Appl. No.: **29/080,386**

[22] Filed: **Dec. 8, 1997**

### [57] CLAIM

### [30] Foreign Application Priority Data

The ornamental design for a carton, as shown and described.

Jun. 10, 1997 [GB] United Kingdom ..... 2066478

### DESCRIPTION

[51] **LOC (6) Cl.** ..... **09-07**

FIG. 1 is a perspective view from the front and above of a carton showing the design;

[52] **U.S. Cl.** ..... **D9/416**

FIG. 2 is a perspective view thereof from the rear and above;

[58] **Field of Search** ..... D9/416, 417, 432,

FIG. 3 is a perspective view thereof from one side;

D9/423; 229/117.13, 243, 117.12, 117.09,

FIG. 4 is a perspective view thereof from above;

200, 914, 925

FIG. 5 is a plan view thereof in the unassembled condition; and,

### [56] References Cited

FIG. 6 is a perspective view thereof in the unassembled condition.

#### U.S. PATENT DOCUMENTS

In the figures, solid lines represent a cut or a folded edge, dashed lines represent fold lines and dot-and-dash lines represent perforated lines.

D. 268,649 4/1983 Adamson et al. .... D9/416

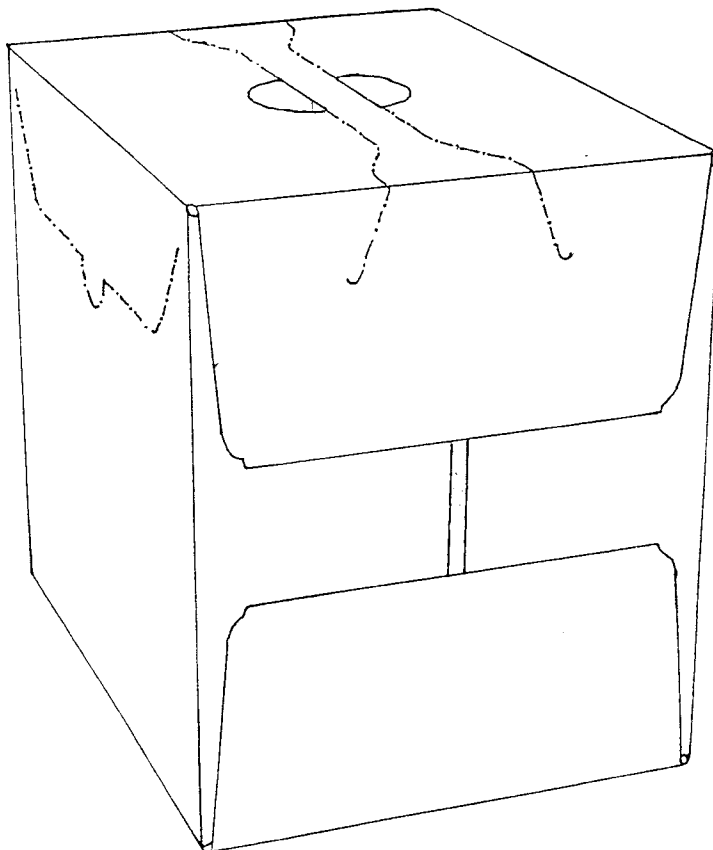
D. 271,944 12/1983 Wood ..... D9/416

D. 350,480 9/1994 Sutherland ..... D9/416

3,094,268 6/1963 Swanson et al. .... 229/117.13

4,380,289 4/1983 Bigelow ..... 229/235 X

**1 Claim, 6 Drawing Sheets**



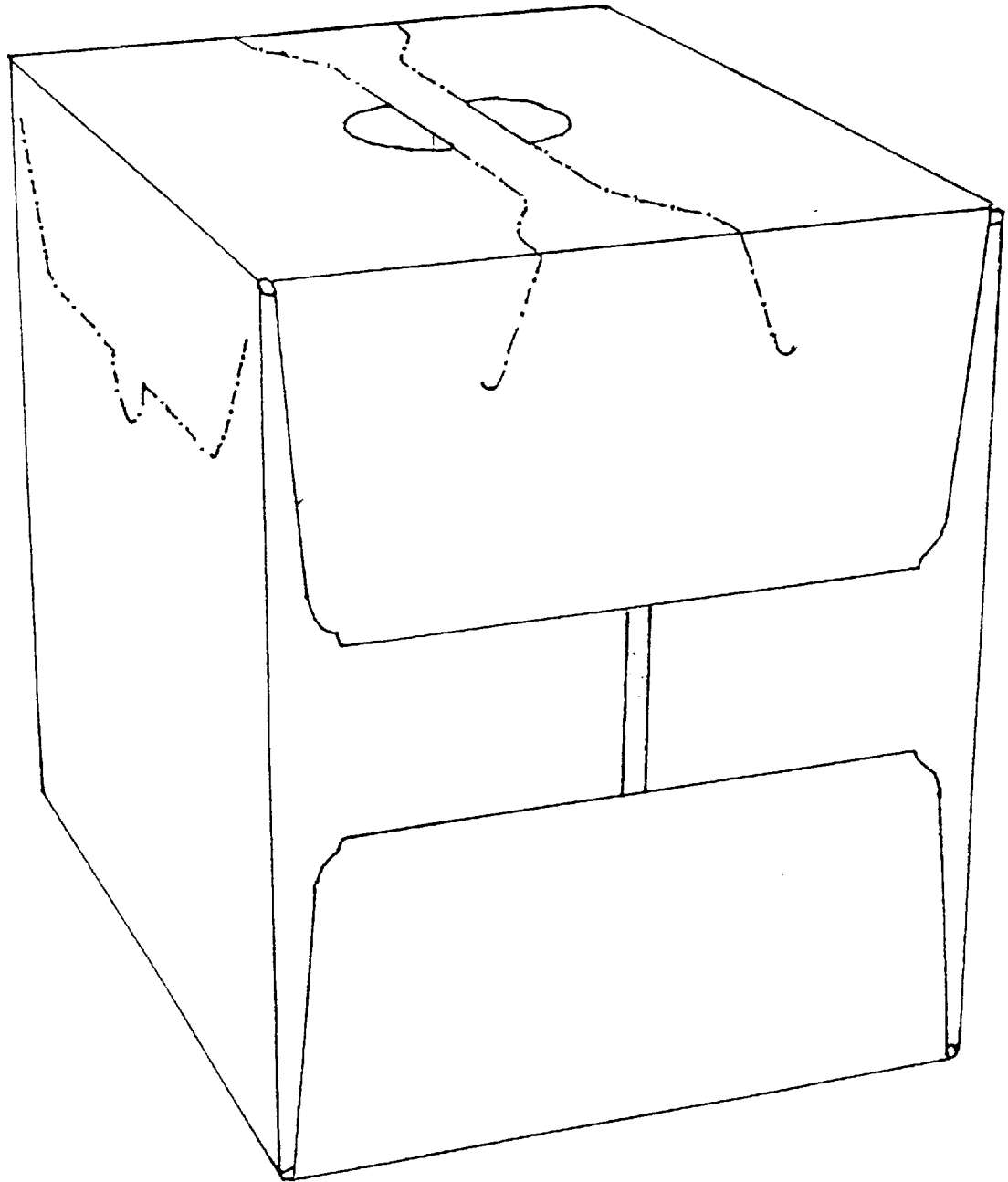


Fig. 1

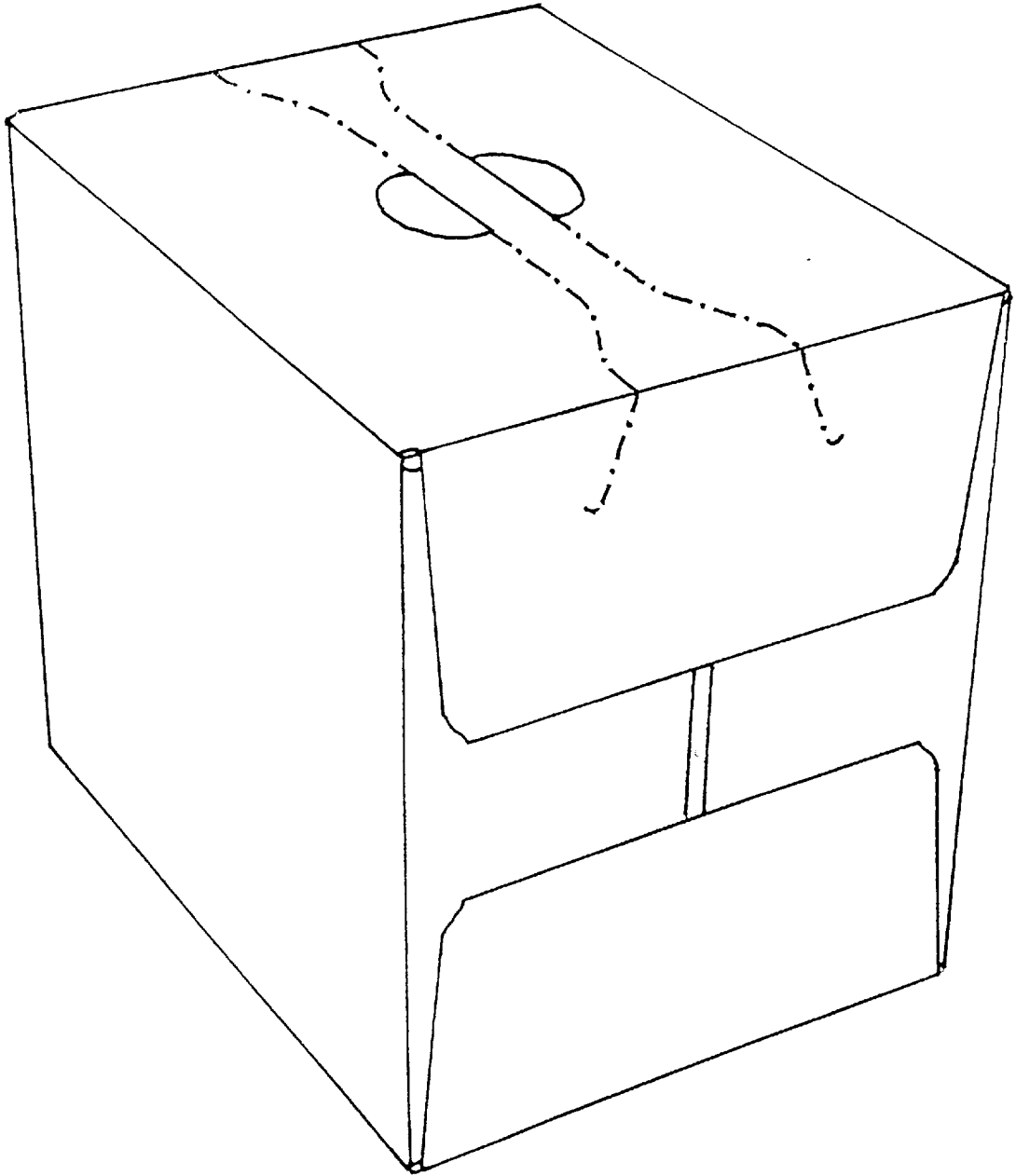


Fig. 2

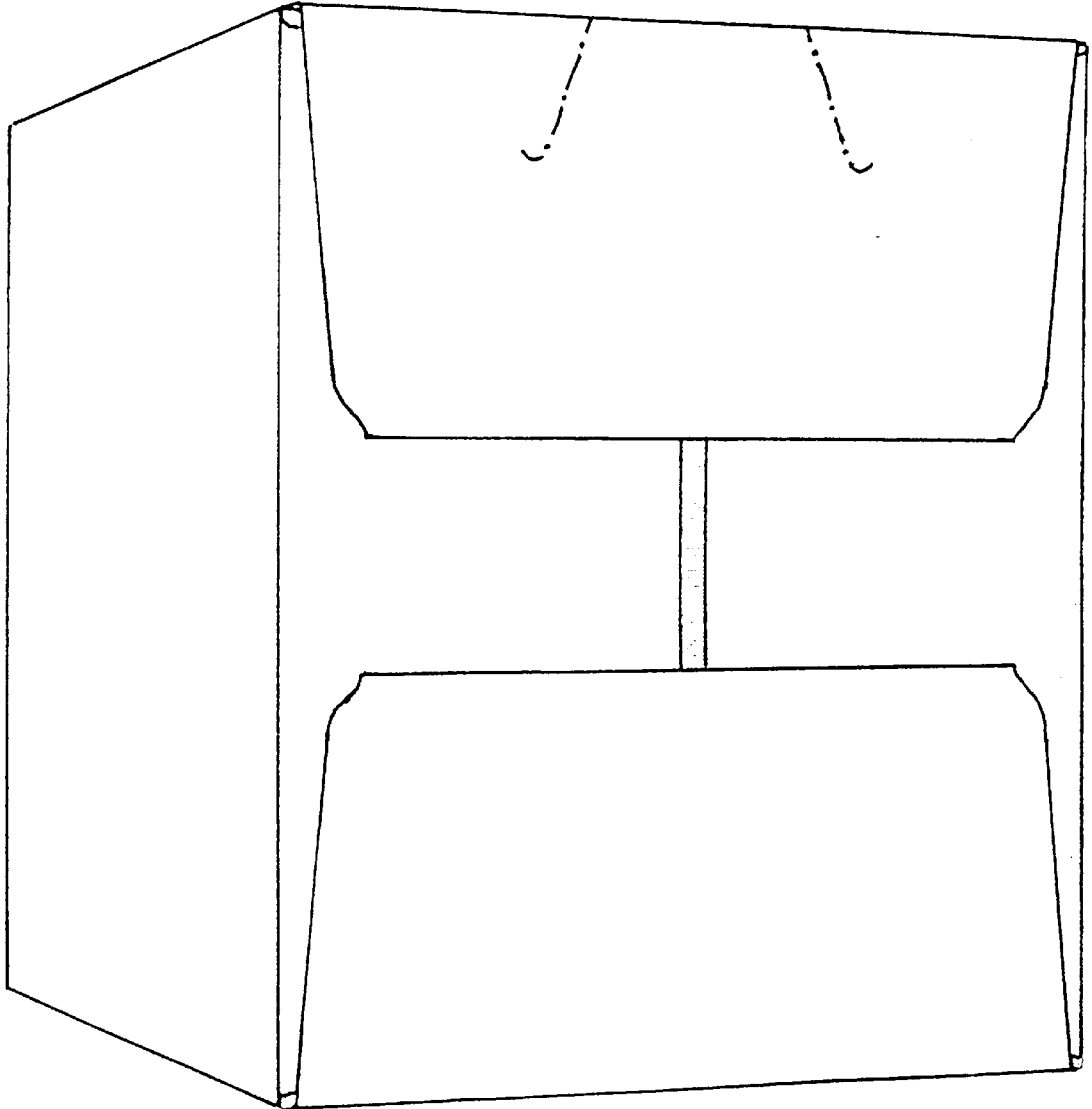


Fig. 3

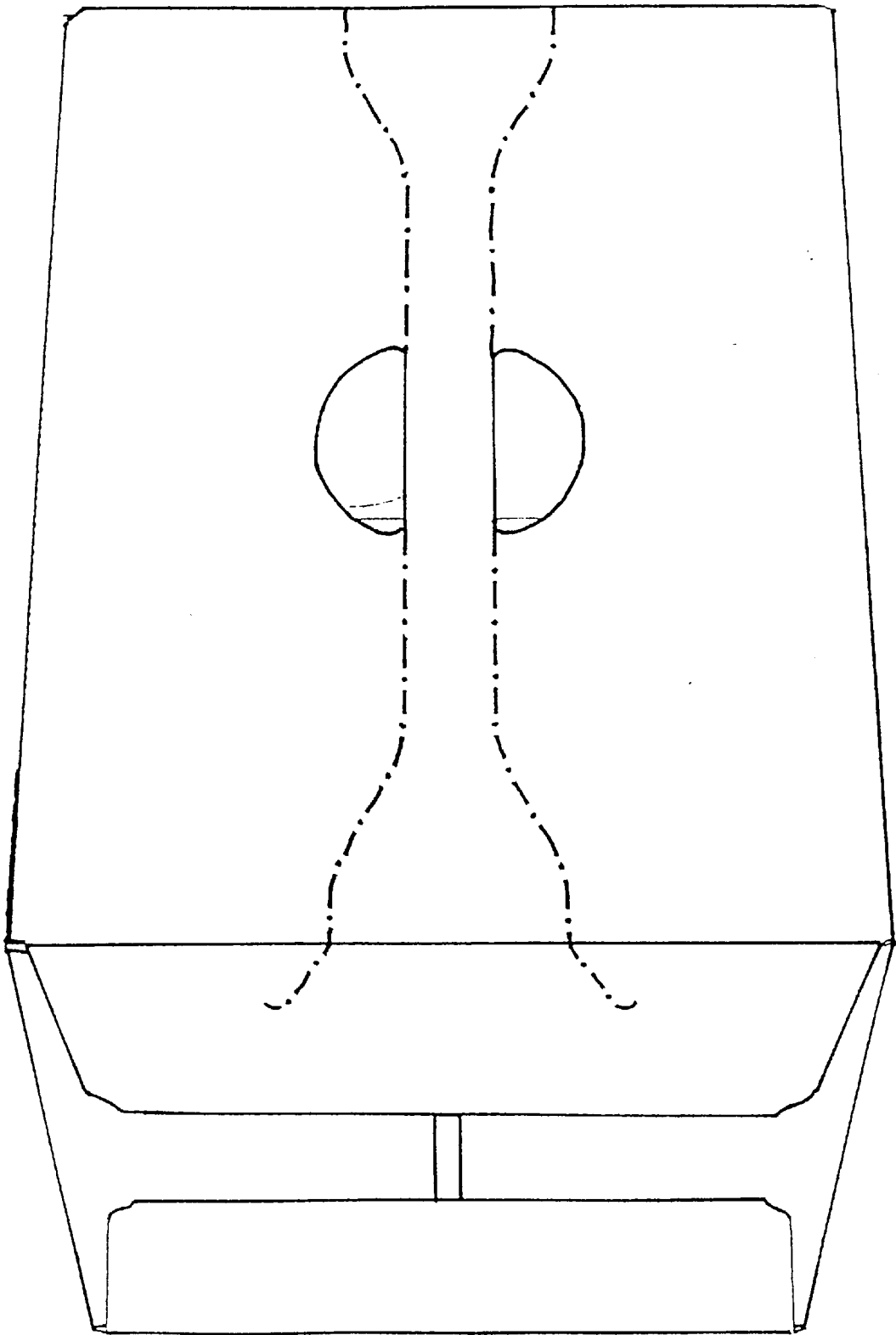


Fig. 4

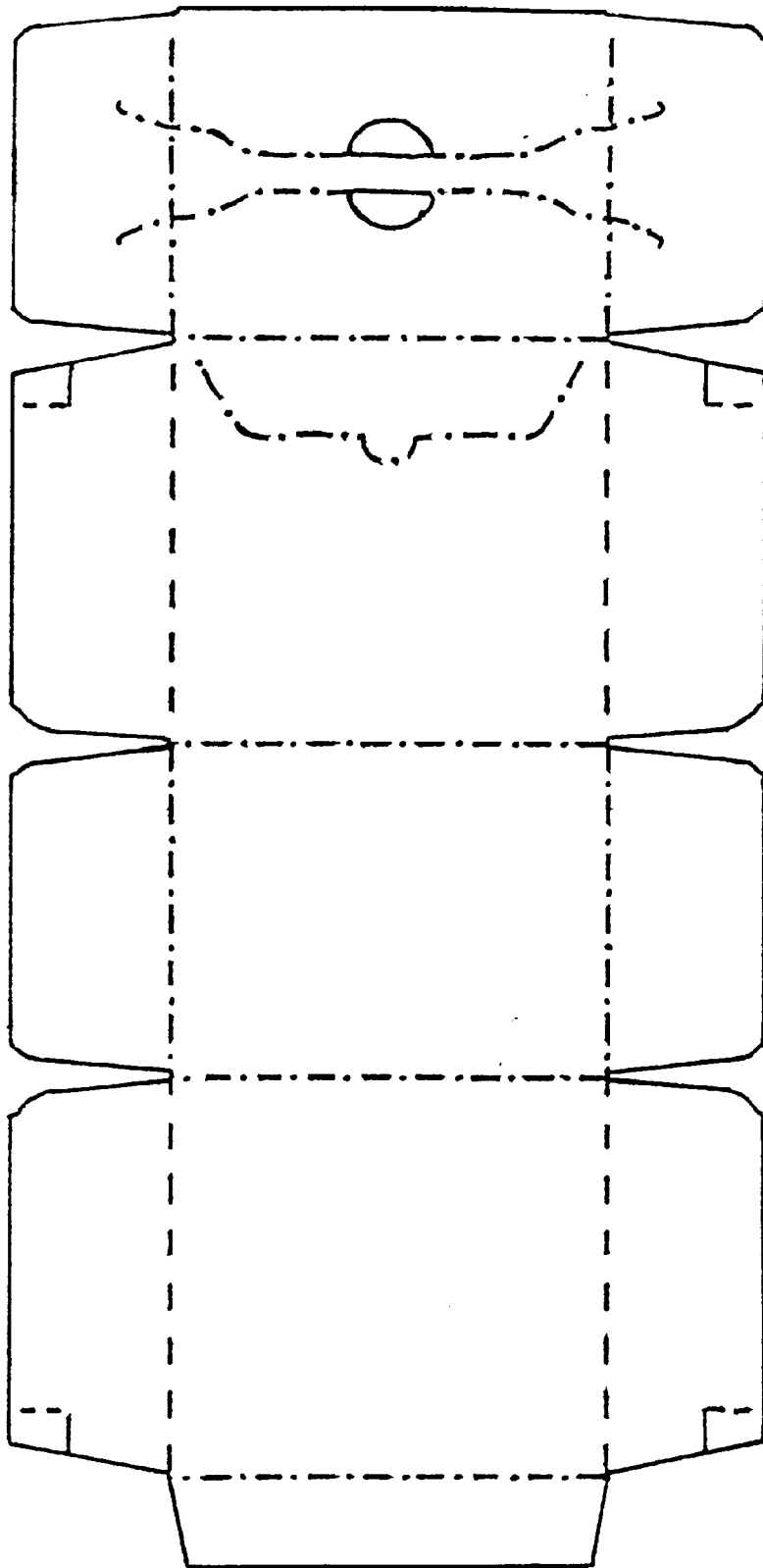


Fig. 5

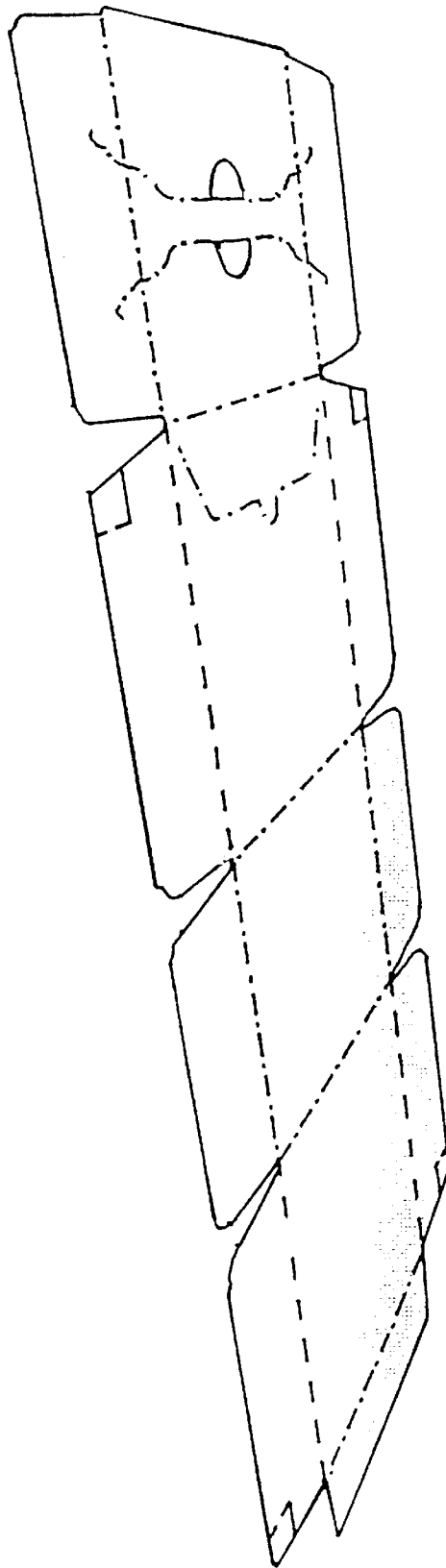


Fig. 6