



(12) **United States Design Patent** (10) **Patent No.:** **US D929,813 S**
Stanford et al. (45) **Date of Patent:** **** Sep. 7, 2021**

(54) **COOLER**

- (71) Applicant: **LIFETIME PRODUCTS, INC.**,
Clearfield, UT (US)
- (72) Inventors: **Carl R. Stanford**, Clearfield, UT (US);
Robert A. Astle, Farmington, UT (US)
- (73) Assignee: **Lifetime Products, Inc.**, Clearfield, UT
(US)
- (**) Term: **15 Years**
- (21) Appl. No.: **29/744,331**
- (22) Filed: **Jul. 28, 2020**

Related U.S. Application Data

- (63) Continuation of application No. 29/644,909, filed on
Apr. 20, 2018, now Pat. No. Des. 891,193, which is
a continuation of application No. 29/602,023, filed on
Apr. 27, 2017, now Pat. No. Des. 816,425.
- (51) **LOC (13) Cl.** **07-01**
- (52) **U.S. Cl.**
USPC **D7/605**
- (58) **Field of Classification Search**
USPC D7/605-607, 709, 710; D3/283, 289,
D3/301, 272-274, 201, 203.1-203.8
CPC F25D 3/08; F25D 3/02; F25D 3/04; F25D
3/06; F25D 3/14; F25D 3/107; F25D
2331/804; F25D 2331/801; B65D 81/38;
B65D 81/3813; B65D 81/3816; B65D
81/3818; B65D 81/382; B65D 81/3823;
B65D 81/3825; B65D 81/3827; B65D
81/383; B65D 81/3832; B65D 81/3834;
B65D 81/3848; B65D 81/3851; B65D
81/3853; B65D 81/3855; B65D 81/3858;
B65D 81/386; B65D 81/3862; A45C
11/20; A45C 3/00

See application file for complete search history.

(56) **References Cited**

U.S. PATENT DOCUMENTS

D281,695	S	*	12/1985	Ryan, Jr.	D7/605
4,592,482	A	*	6/1986	Seager	A45C 11/20 220/318
D325,323	S	*	4/1992	Kahl	D7/605
D354,419	S	*	1/1995	Kahl	D7/605
D374,772	S	*	10/1996	Hotaling	D3/273
D429,966	S	*	8/2000	Israel	D7/605
D451,765	S	*	12/2001	Israel	D7/605
D566,479	S	*	4/2008	Kabalin	D3/273
D806,483	S		1/2018	Stanford	
D816,425	S		5/2018	Stanford	
D851,462	S		6/2019	Stanford	
10,605,515	B2		3/2020	Stanford	
D891,193	S		7/2020	Stanford	
D891,194	S		7/2020	Stanford	

(Continued)

OTHER PUBLICATIONS

U.S. Appl. No. 29/744,333, filed Jul. 28, 2020.
(Continued)

Primary Examiner — Terry A Wallace
(74) *Attorney, Agent, or Firm* — Maschoff Brennan

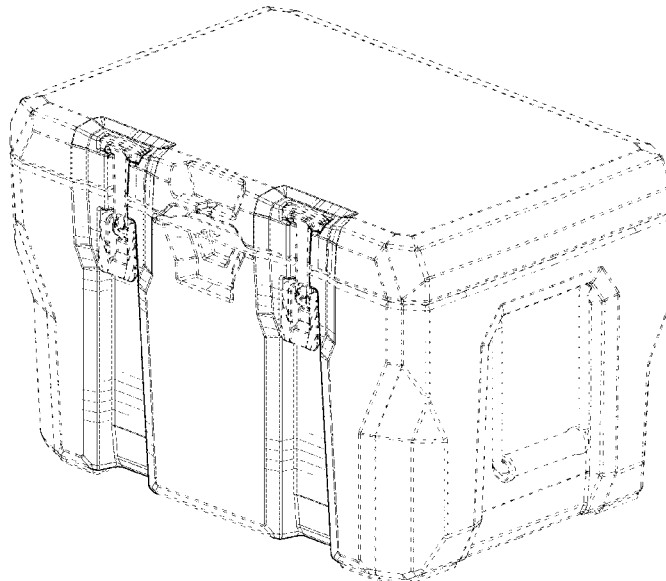
(57) **CLAIM**

The ornamental design for a cooler, as shown and described.

DESCRIPTION

FIG. 1 is an upper perspective view of a cooler;
 FIG. 2 is a lower perspective view of the cooler;
 FIG. 3 is a front view of the cooler;
 FIG. 4 is a top view of the cooler; and,
 FIG. 5 is a bottom view of the cooler.
 The broken lines are for illustrative purposes only and form
 no part of the claimed design.

1 Claim, 5 Drawing Sheets



(56)

References Cited

U.S. PATENT DOCUMENTS

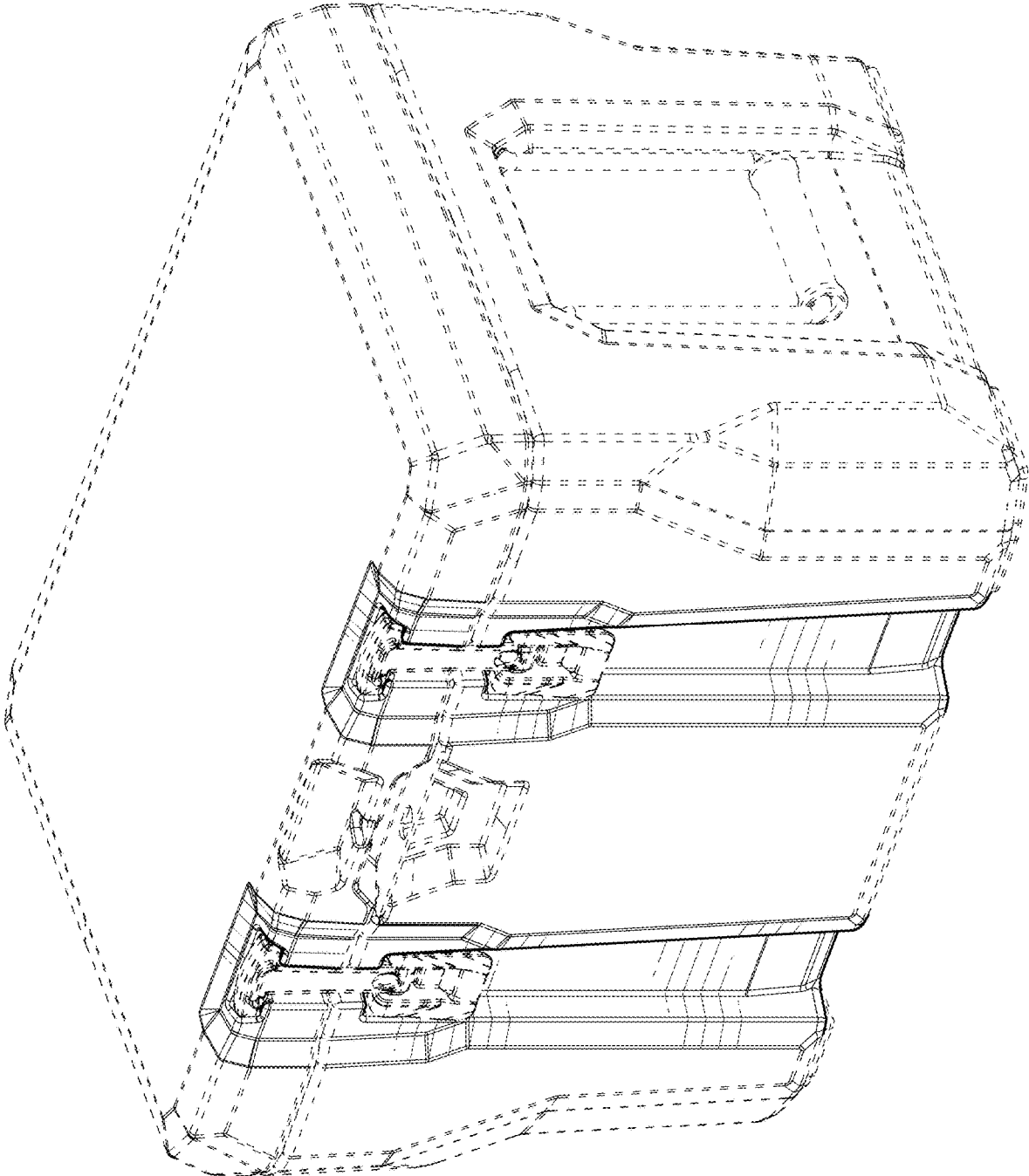
D892,565 S 8/2020 Astle
D904,129 S 12/2020 Astle

OTHER PUBLICATIONS

U.S. Appl. No. 29/677,028, filed Jan. 16, 2019.
U.S. Appl. No. 29/677,025, filed Jan. 16, 2019.
U.S. Appl. No. 29/688,014, filed Apr. 17, 2019.
U.S. Appl. No. 29/713,735, filed Nov. 18, 2019.
U.S. Appl. No. 29/730,693, filed Apr. 7, 2020.
U.S. Appl. No. 29/652,414, filed Aug. 10, 2020.
U.S. Appl. No. 29/652,414, Restriction Requirement dated Feb. 2,
2021.
U.S. Appl. No. 29/744,333, Restriction Requirement dated Feb. 2,
2021.

* cited by examiner

1/5



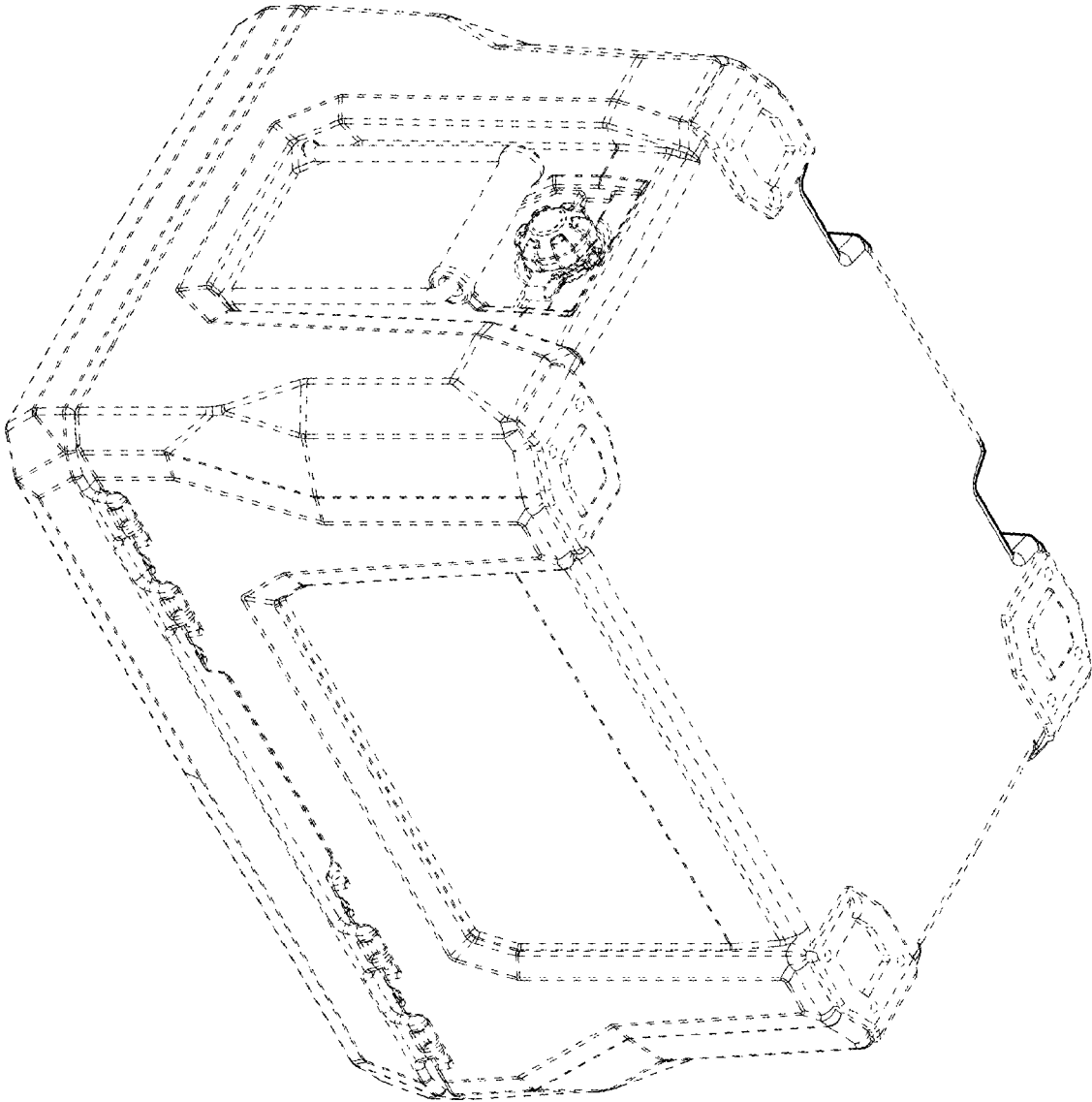


FIG. 2

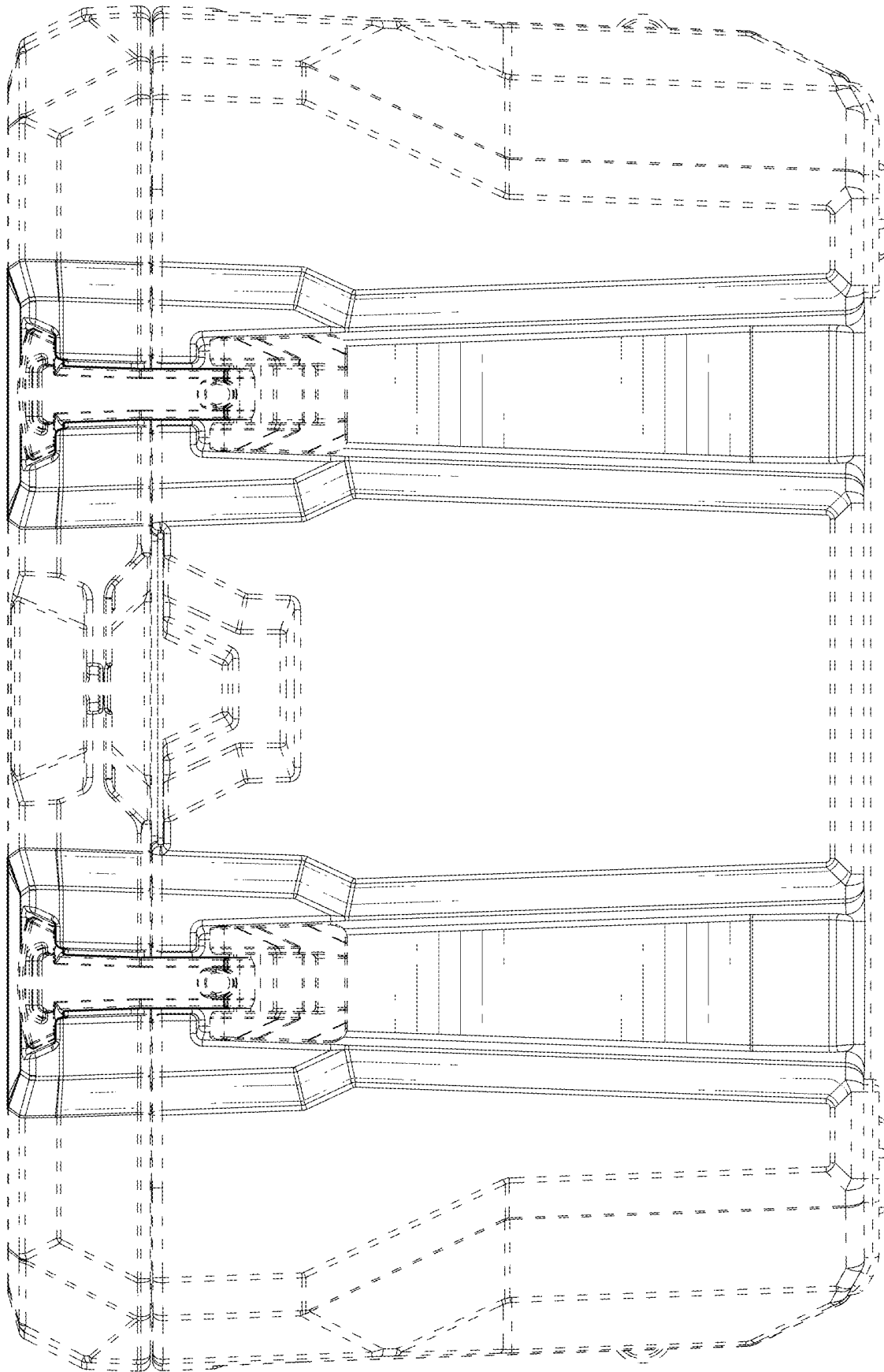


FIG. 3

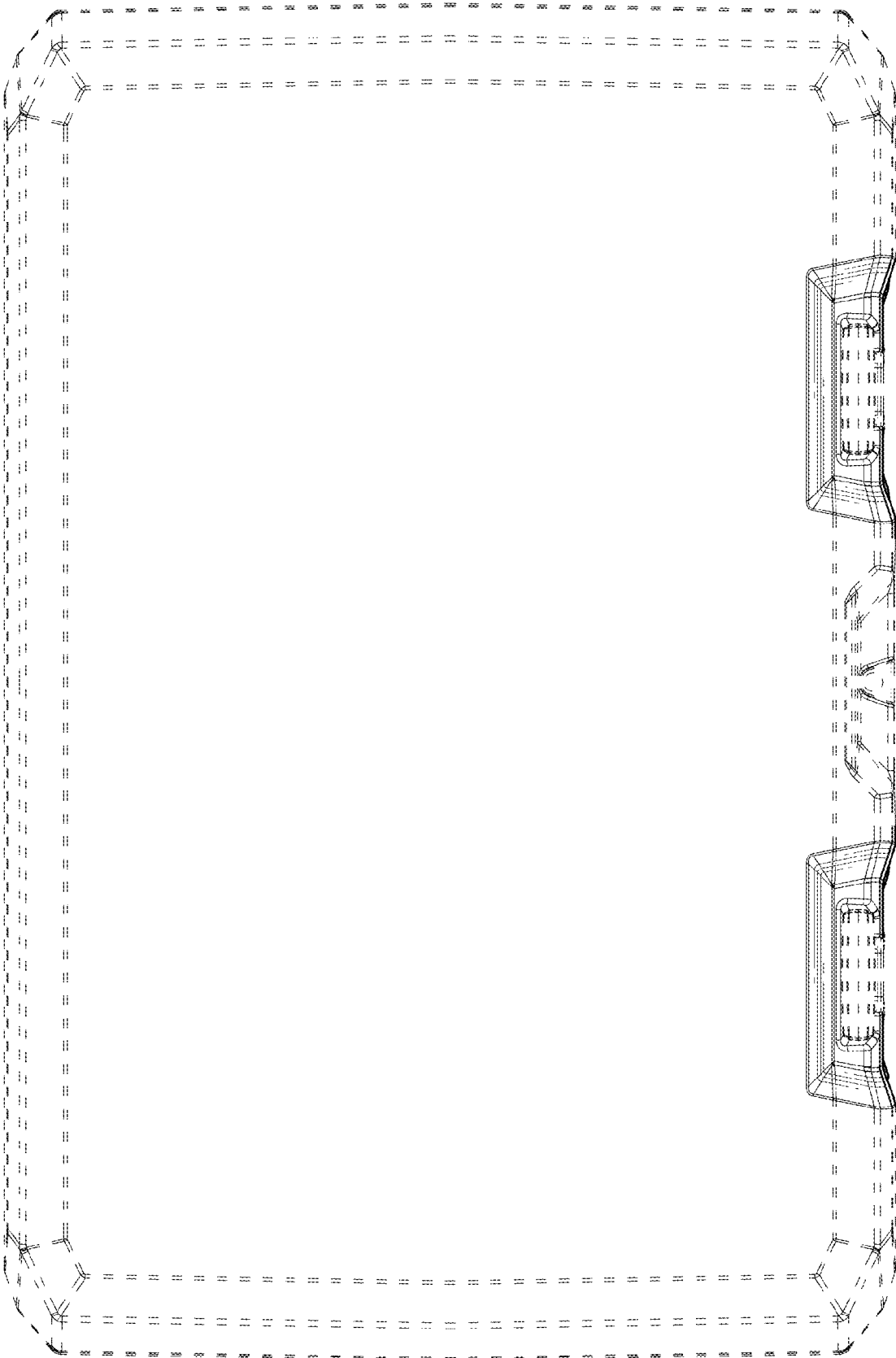


FIG. 4

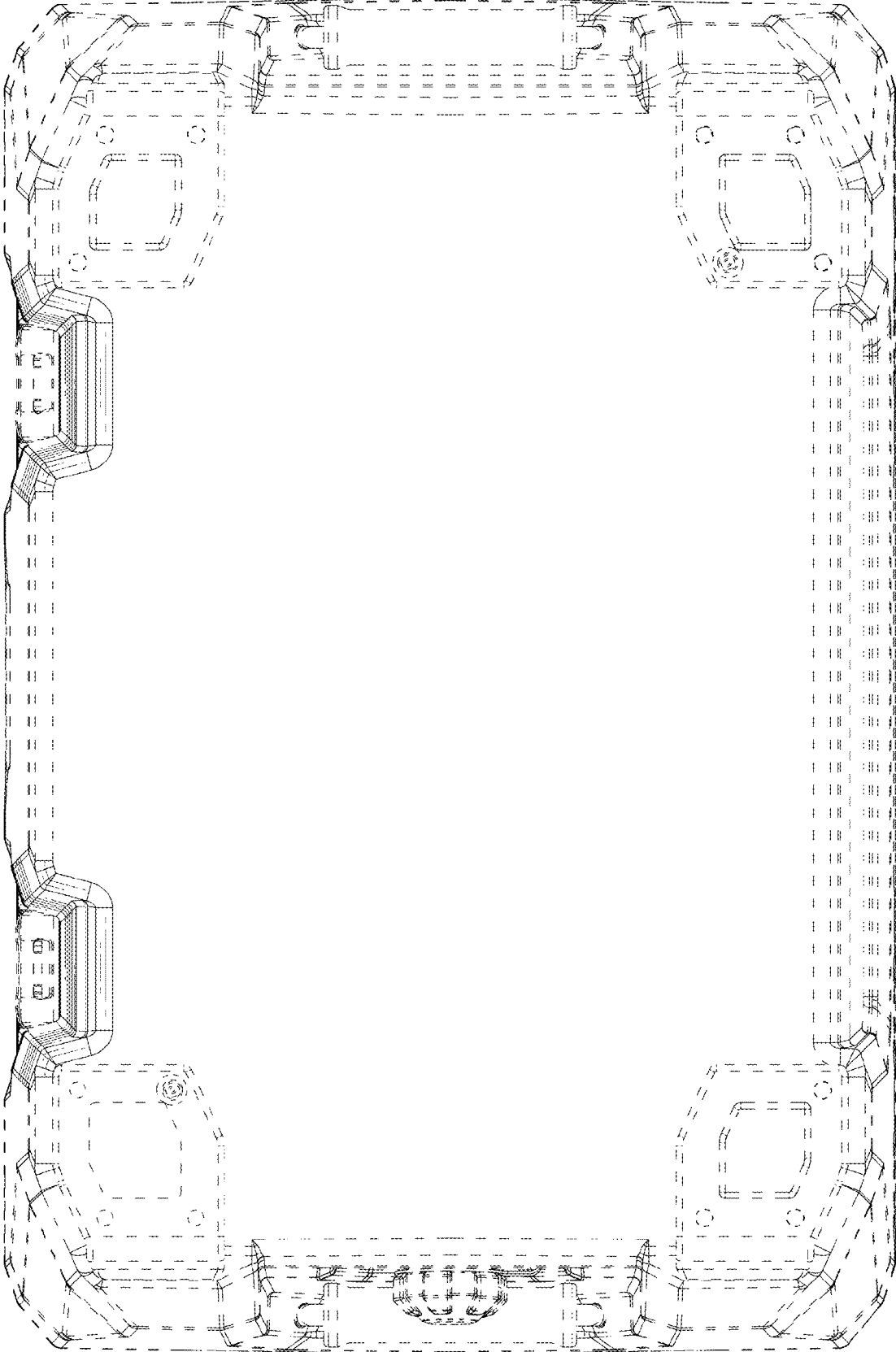


FIG. 5