



US00D460532S

(12) **United States Design Patent**  
Marcichow et al.

(10) **Patent No.:** **US D460,532 S**

(45) **Date of Patent:** **\*\* Jul. 16, 2002**

(54) **FAUCET HANDLE**

D442,264 S \* 5/2001 Mullenmeister ..... D23/252  
D446,287 S \* 8/2001 Fleischmann ..... D23/250

(75) Inventors: **Martin E. Marcichow**, Hoffman Estates; **Charles S. Allen**, Kenilworth, both of IL (US)

\* cited by examiner

*Primary Examiner*—Louis S. Zarfes

*Assistant Examiner*—Gregory Andoll

(73) Assignee: **Sloan Valve Company**, Franklin Park, IL (US)

(74) *Attorney, Agent, or Firm*—Cook, Alex, McFarron, Manzo, Cummings & Mehler, Ltd.

(\*\*) Term: **14 Years**

(57) **CLAIM**

(21) Appl. No.: **29/149,294**

The ornamental design for a faucet handle, as shown and described.

(22) Filed: **Oct. 9, 2001**

**DESCRIPTION**

(51) **LOC (7) Cl.** ..... **23-01**

(52) **U.S. Cl.** ..... **D23/252; D23/250**

(58) **Field of Search** ..... D23/238-257;  
D8/300-308, 350-354; 4/675-678; 137/801;  
16/110 R-121

FIG. 1 is a perspective view of our new design for a faucet handle;

FIG. 2 is a left side view thereof, the right side being the same as the left side;

FIG. 3 is a front view thereof;

FIG. 4 is a rear view thereof;

FIG. 5 is a top view thereof; and,

FIG. 6 is a bottom view thereof.

(56) **References Cited**

**U.S. PATENT DOCUMENTS**

D316,747 S \* 5/1991 Fleischmann ..... D23/252

**1 Claim, 1 Drawing Sheet**

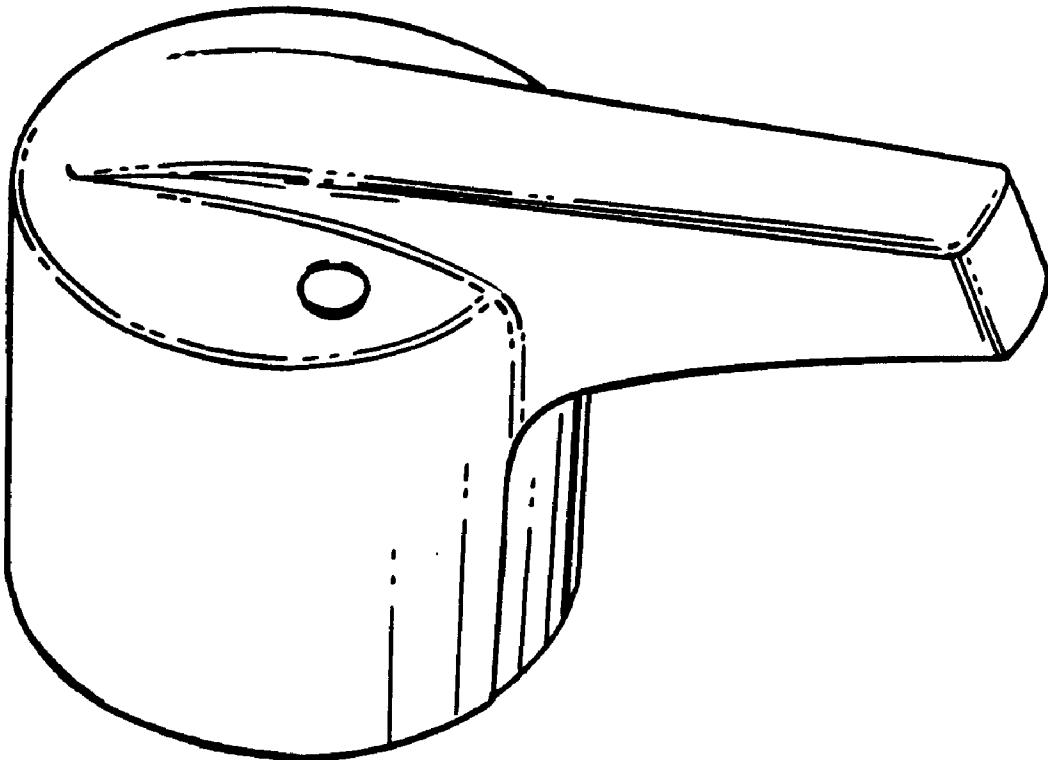


fig. 1.

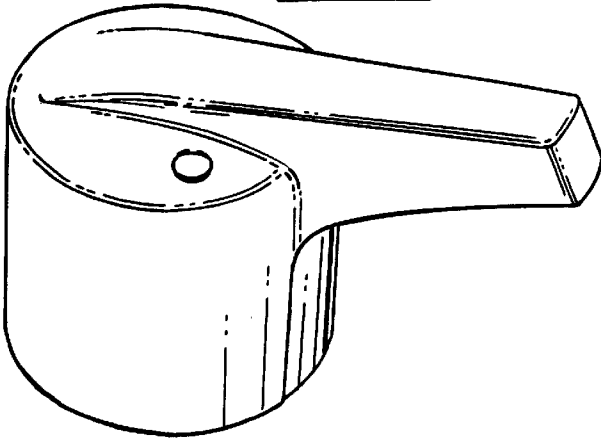


fig. 3.

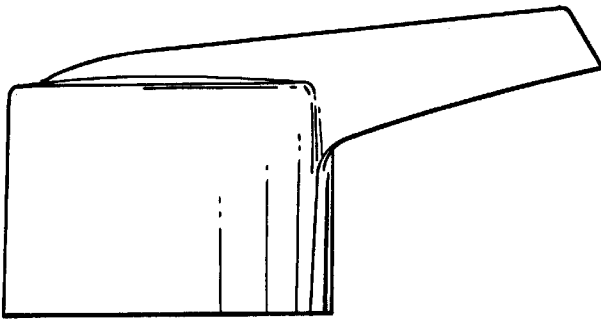
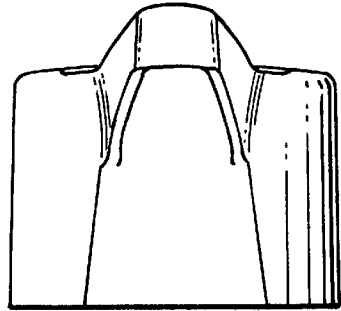


fig. 2.

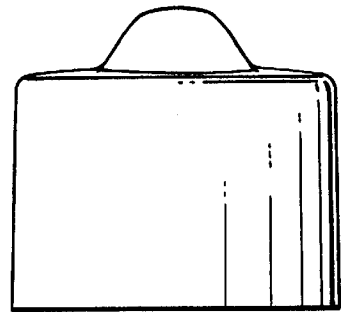


fig. 4.

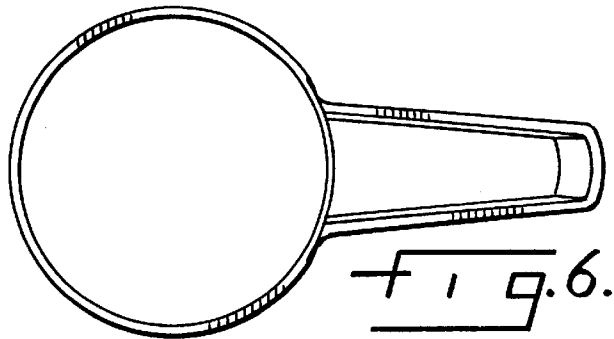


fig. 6.

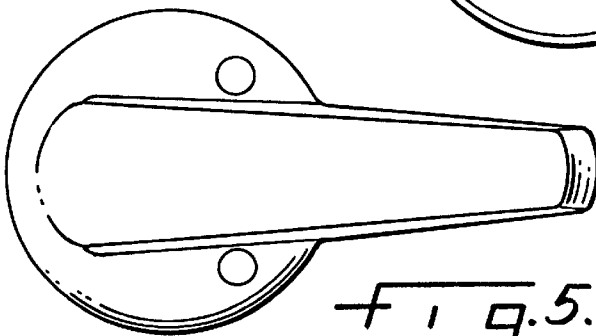


fig. 5.