



US00D438546S

(12) **United States Design Patent**  
Katoh et al.

(10) **Patent No.:** US D438,546 S

(45) **Date of Patent:** \*\* Mar. 6, 2001

(54) **AGRICULTURAL TRACTOR**

(75) Inventors: **Hisato Katoh; Mamoru Kawaguchi,**  
both of Sakai; **Kentaro Nakamura,**  
Wakayama, all of (JP)

(73) Assignee: **Kubota Corporation (JP)**

(\*\*) Term: **14 Years**

(21) Appl. No.: **29/110,775**

(22) Filed: **Sep. 13, 1999**

(30) **Foreign Application Priority Data**

Jul. 8, 1999 (JP) ..... 11-18365

(51) **LOC (7) Cl.** ..... **15-03**

(52) **U.S. Cl.** ..... **D15/23**

(58) **Field of Search** ..... D15/10, 15, 22-26;  
56/12.7, 15.8, 200, 202, 255, 320.1, 320.2;  
180/89.1, 89.12, 900

(56) **References Cited**

**U.S. PATENT DOCUMENTS**

- D. 258,824 \* 4/1981 Funabashi ..... D15/23
- D. 312,465 \* 11/1990 Yaguchi et al. .... D15/23
- D. 378,755 \* 4/1997 Kato et al. .... D15/23
- D. 422,606 \* 4/2000 Katoh et al. .... D15/23

**OTHER PUBLICATIONS**

Tiger Rotary Mower cover.\*

\* cited by examiner

*Primary Examiner*—Sandra L. Morris

(74) *Attorney, Agent, or Firm*—Webb Ziesenheim Logsdon  
Orkin & Hanson, P.C.

(57) **CLAIM**

The ornamental design of an agricultural tractor, as shown  
and described.

**DESCRIPTION**

FIG. 1 is a front view of our agricultural tractor;  
 FIG. 2 is a rear view thereof;  
 FIG. 3 is a right side view thereof;  
 FIG. 4 is a left side view thereof;  
 FIG. 5 is a top plan view thereof;  
 FIG. 6 is a bottom view thereof;  
 FIG. 7 is a front view of our agricultural tractor according  
 to a second embodiment of our ornamental design;  
 FIG. 8 is a rear view of the second embodiment;  
 FIG. 9 is a right side view of the second embodiment;  
 FIG. 10 is a left side view of the second embodiment;  
 FIG. 11 is a top plan view of the second embodiment; and,  
 FIG. 12 is a bottom view of the second embodiment.

**1 Claim, 12 Drawing Sheets**

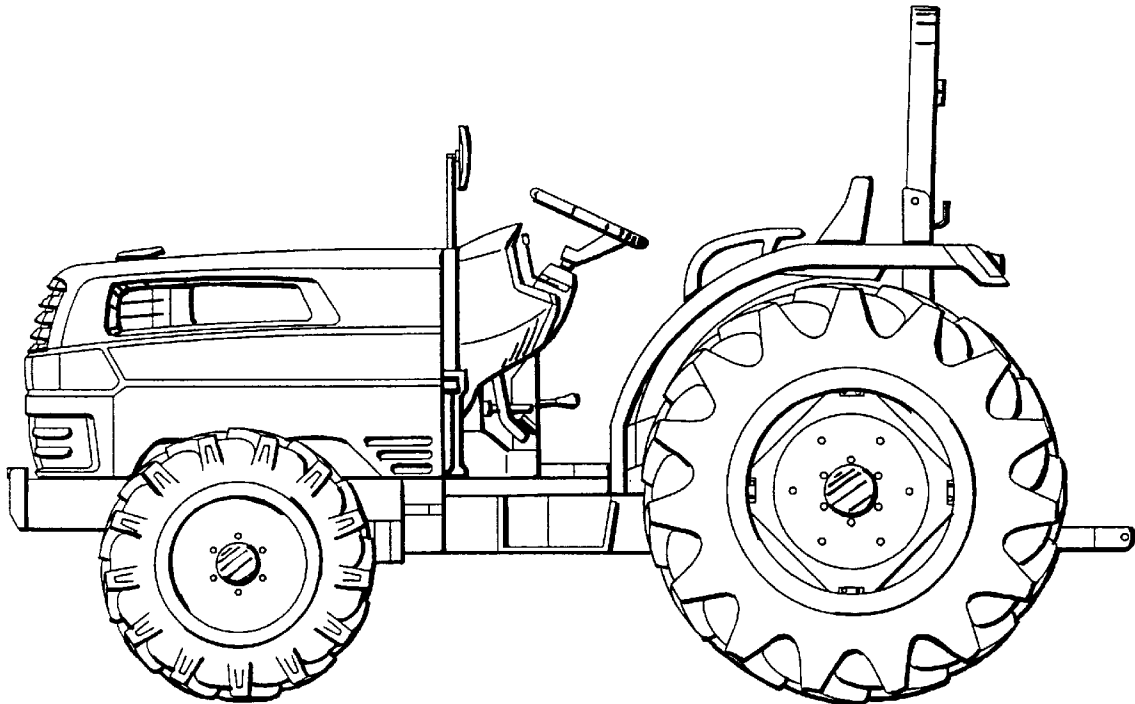


FIG. 1

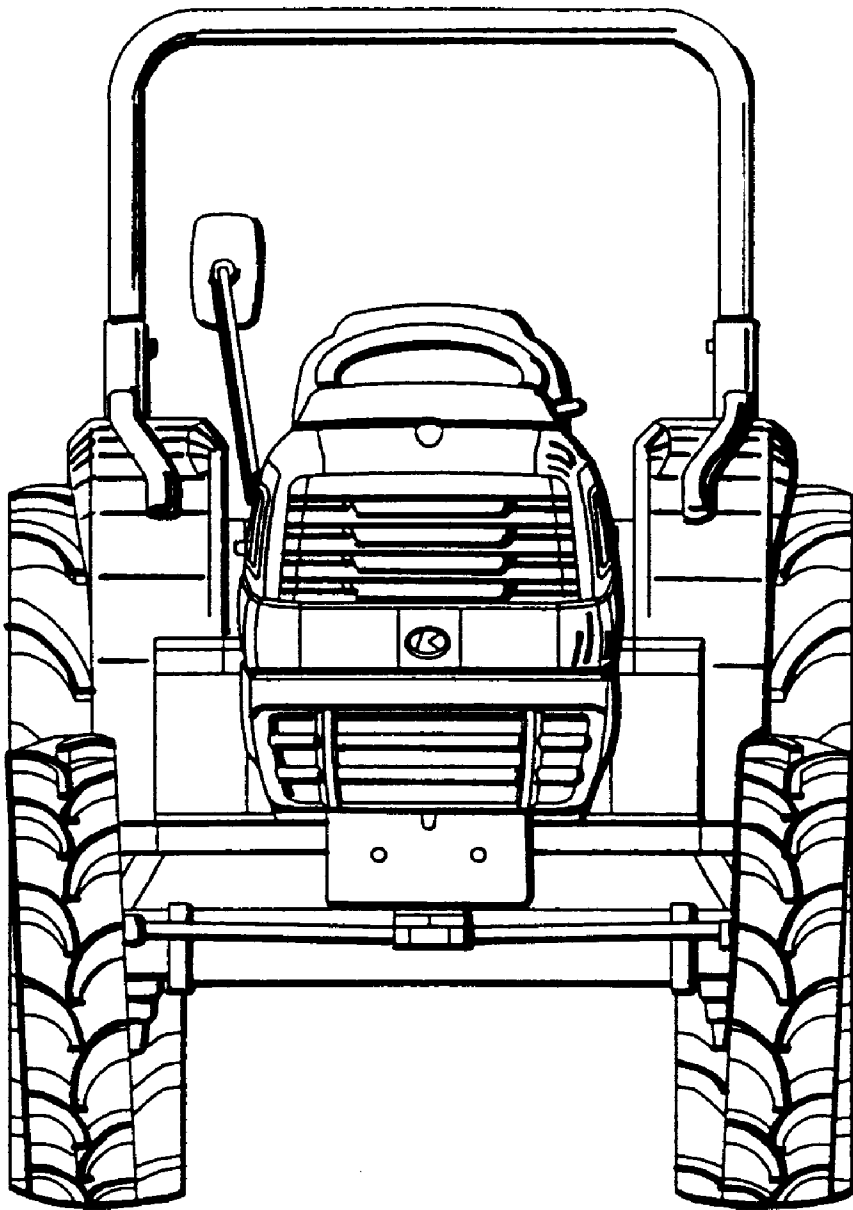


FIG. 2

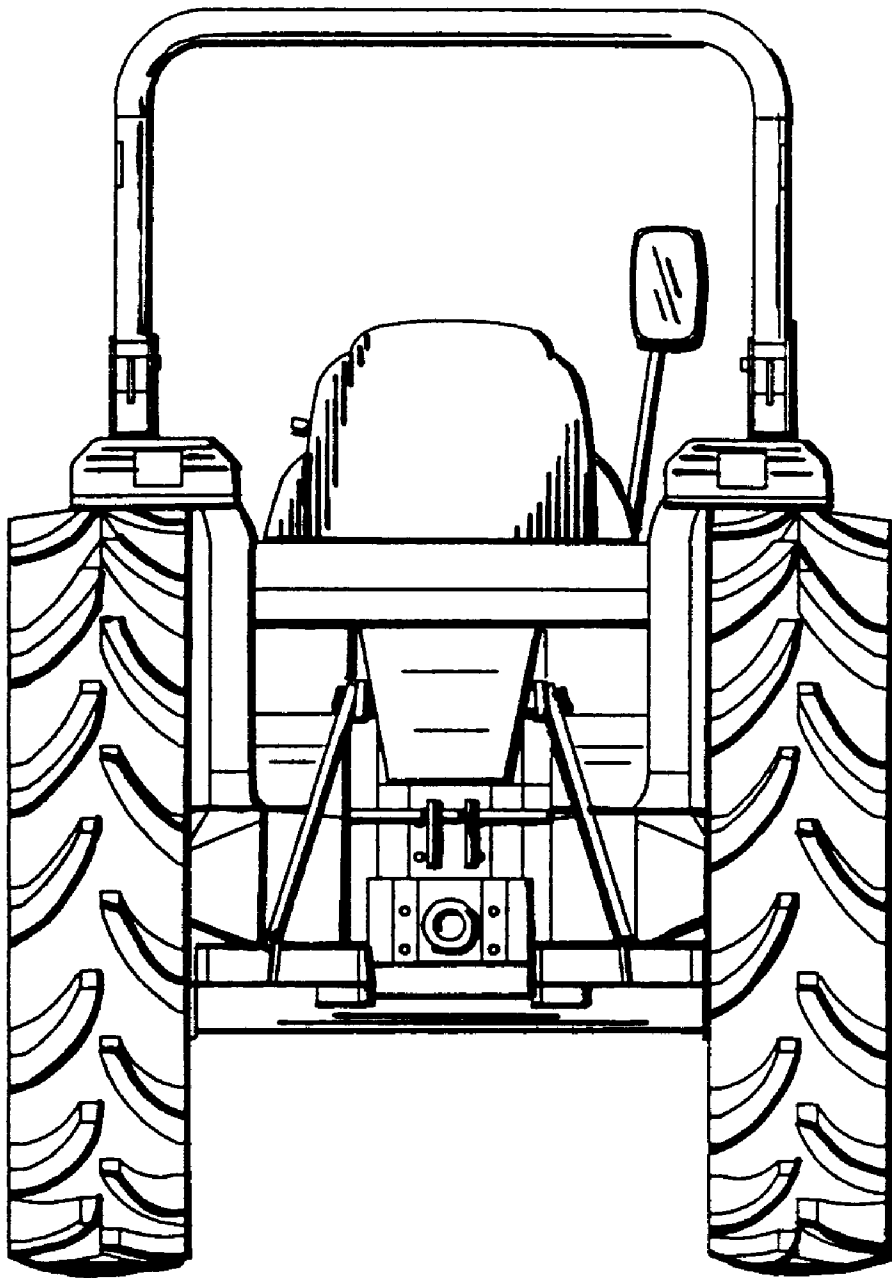


FIG. 3

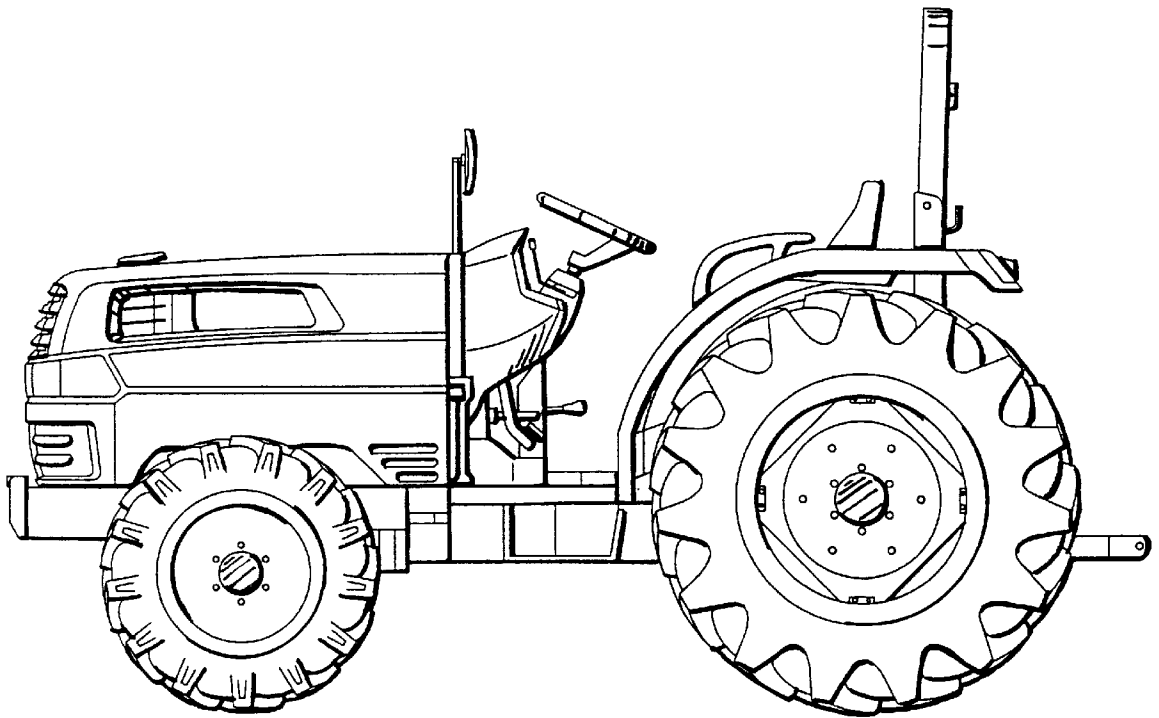


FIG. 4

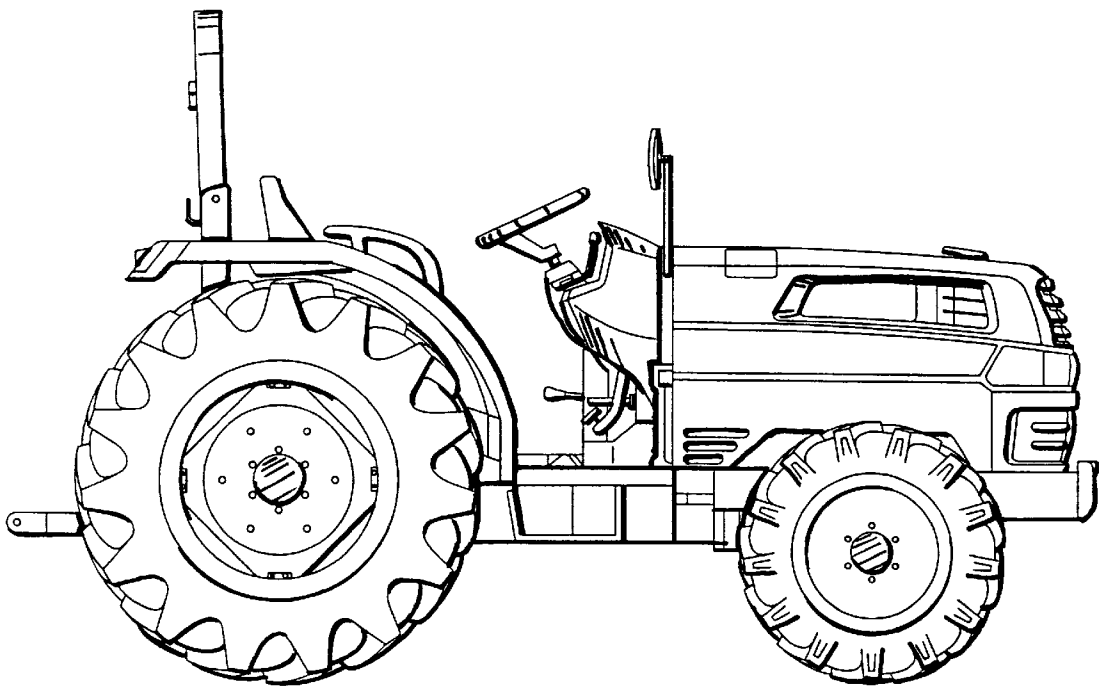


FIG. 5

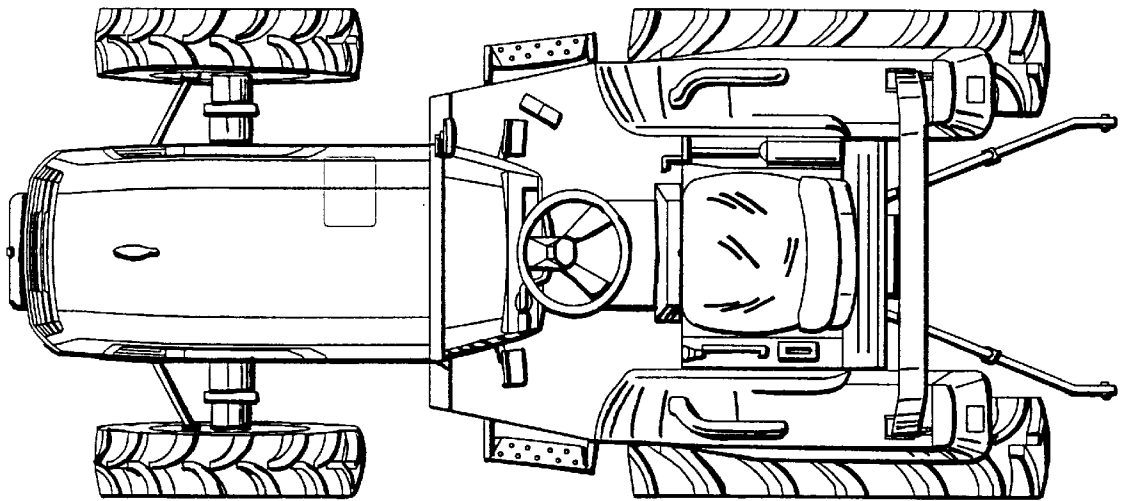


FIG. 6

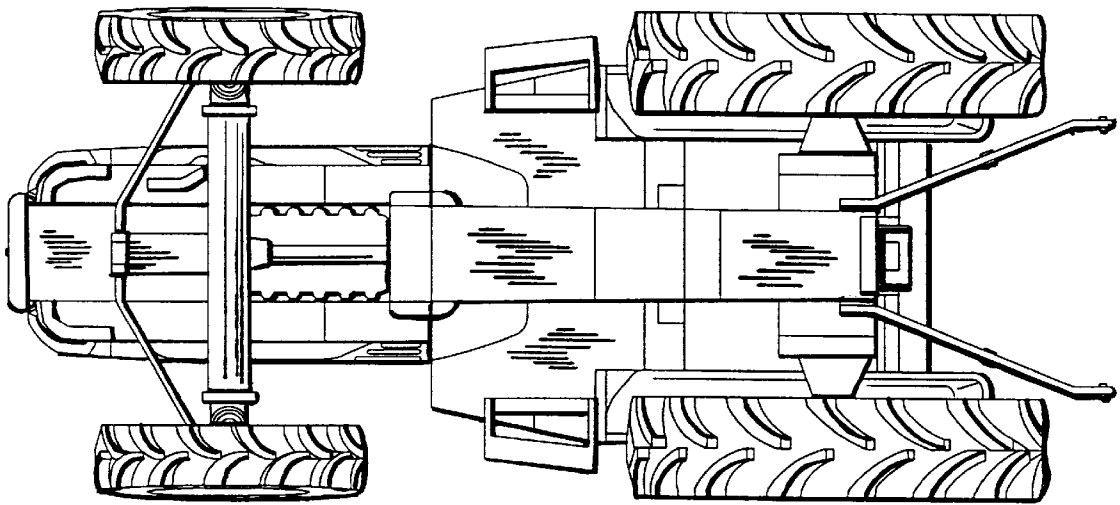


FIG. 7

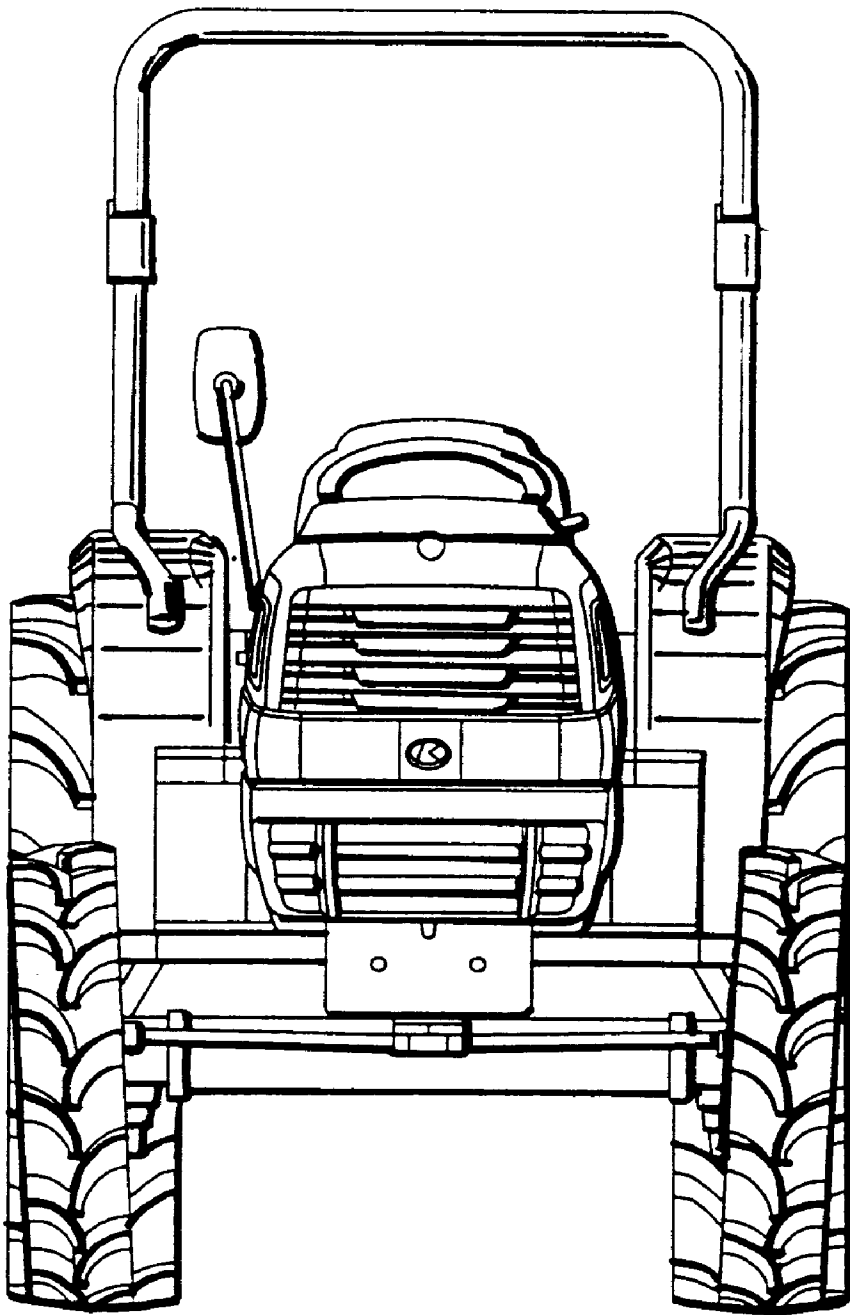




FIG. 8

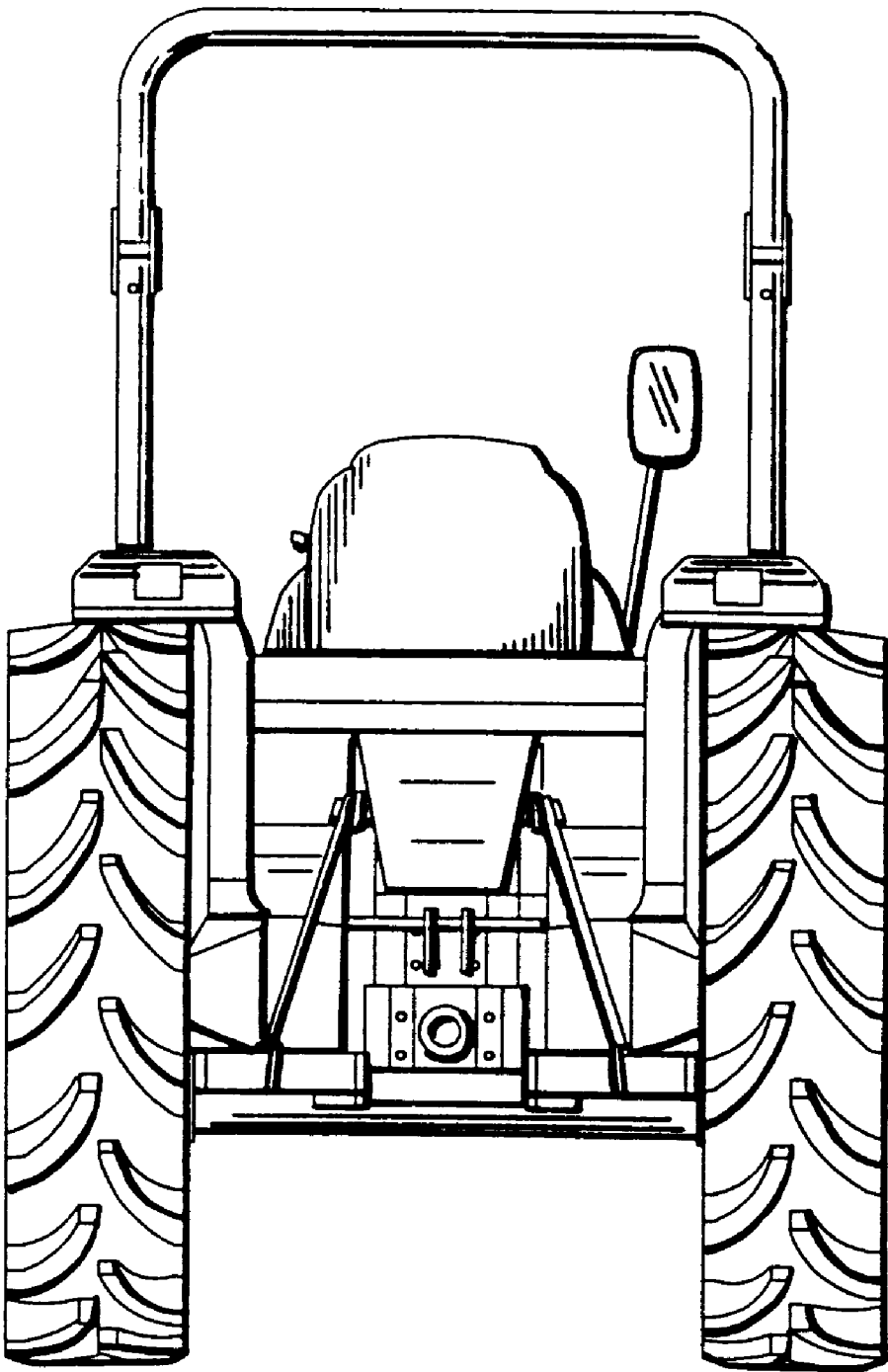


FIG. 9

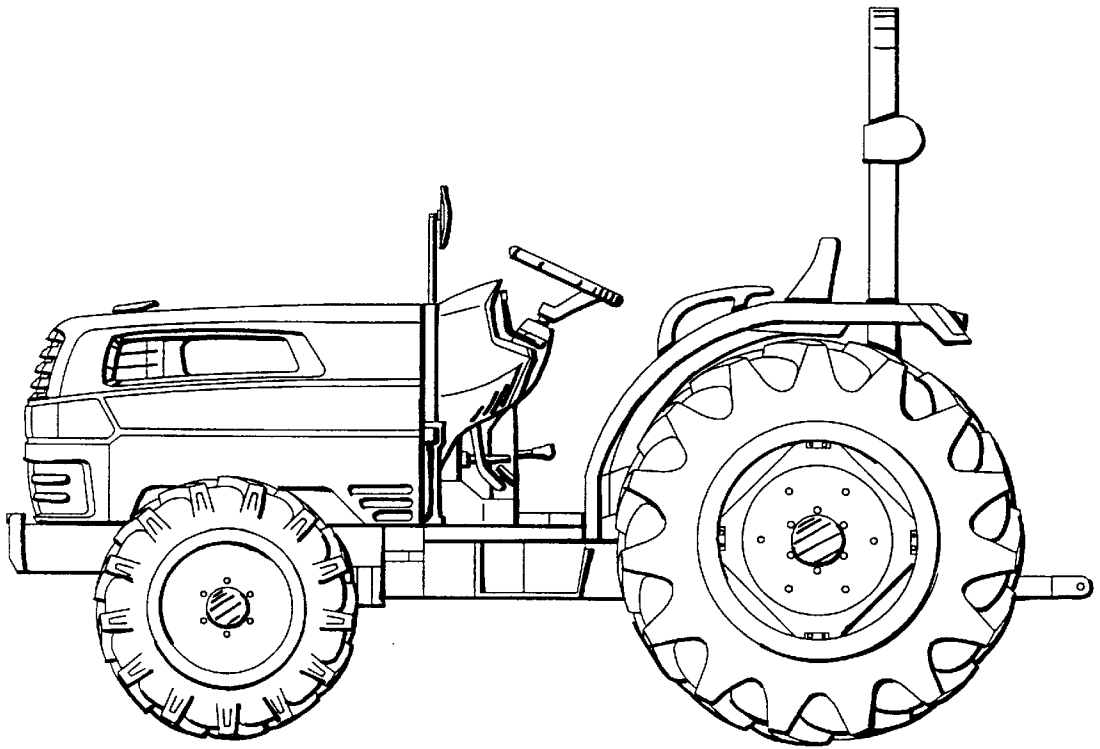


FIG. 10

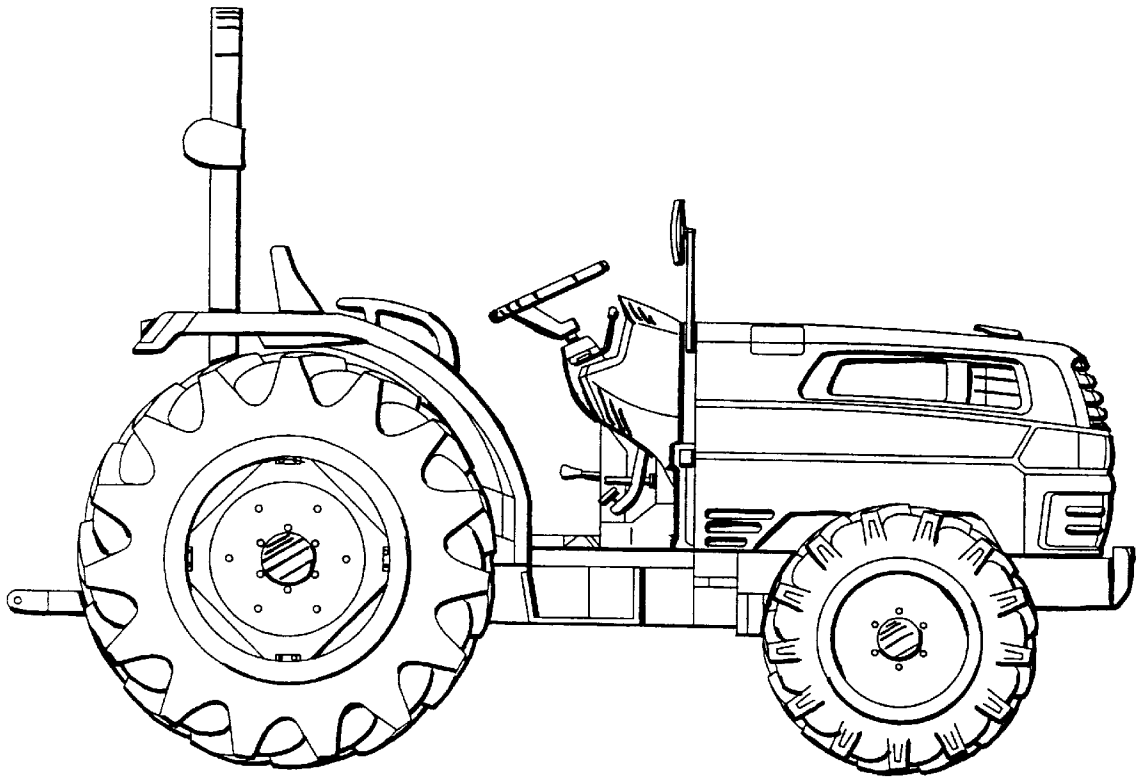


FIG. 11

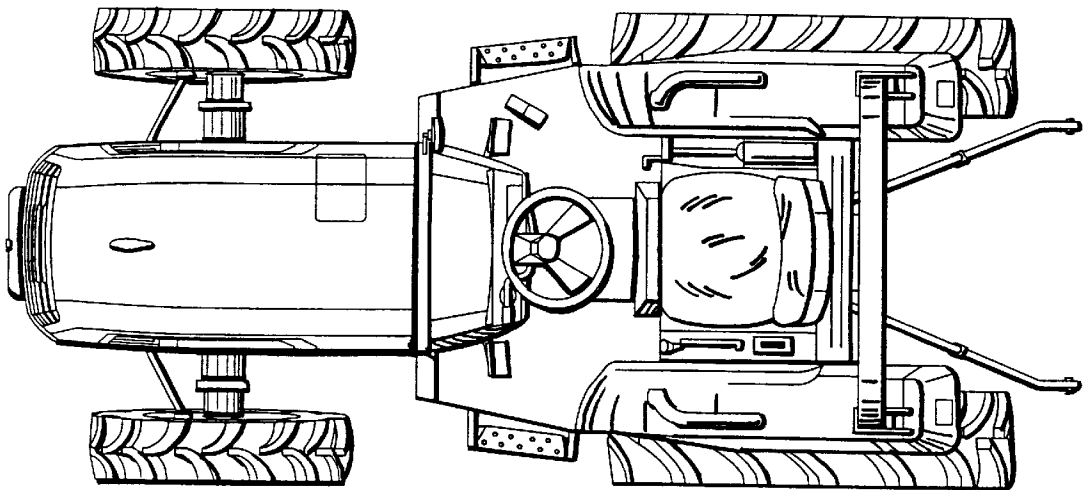


FIG. 12

