



(12) **United States Design Patent**  
**Nguyen et al.**

(10) **Patent No.:** **US D806,775 S**  
(45) **Date of Patent:** **\*\* Jan. 2, 2018**

- (54) **CAMERA**
- (71) Applicant: **GoPro, Inc.**, San Mateo, CA (US)
- (72) Inventors: **Huy Phuong Nguyen**, San Mateo, CA (US); **Richard Gioscia**, Santa Clara, CA (US); **Quinn Jerome Odette Fitzgerald**, San Francisco, CA (US); **William Duncan Webb, II**, San Francisco, CA (US)
- (73) Assignee: **GoPro, Inc.**, San Mateo, CA (US)

D710,922 S	8/2014	Gioscia et al.	
D721,395 S	1/2015	Woodman et al.	
D725,169 S	3/2015	Gioscia et al.	
D732,593 S	6/2015	Woodman	
D737,879 S	9/2015	Woodman et al.	
D739,451 S *	9/2015	Gioscia .....	D16/200
D742,952 S	11/2015	Nakajima	
D750,146 S	2/2016	Costa et al.	
D750,680 S	3/2016	Chen	
D750,686 S	3/2016	Chen	
D751,131 S	3/2016	Woodman et al.	
D753,749 S	4/2016	Zhu	

(Continued)

(\*\*) Term: **15 Years**

(21) Appl. No.: **29/609,791**

(22) Filed: **Jul. 5, 2017**

**Related U.S. Application Data**

- (62) Division of application No. 29/576,880, filed on Sep. 7, 2016, now Pat. No. Des. 794,696.
  - (51) **LOC (11) Cl.** ..... **16-01**
  - (52) **U.S. Cl.**
  - USPC ..... **D16/218**
  - (58) **Field of Classification Search**
  - USPC ..... D16/200, 202-206, 208-209, 212, 218, D16/219; 348/373-376; 396/448, 535, 396/539-541
  - CPC ..... G03B 15/03; G03B 17/02; G03B 17/04; G03B 17/56; G03B 19/04; H04N 5/2251; H04N 5/2252; H04N 5/2253; H04N 5/2254; H04N 2101/00
- See application file for complete search history.

(56) **References Cited**

**U.S. PATENT DOCUMENTS**

8,014,656 B2	9/2011	Woodman	
D647,554 S *	10/2011	Yim .....	D16/204
8,544,643 B2	10/2013	Yim	

**OTHER PUBLICATIONS**

United States Office Action, U.S. Appl. No. 29/576,880, dated Mar. 9, 2017, 13 pages.

*Primary Examiner* — Philip S Hyder

*Assistant Examiner* — Ramzi Almatrahi

(74) *Attorney, Agent, or Firm* — Fenwick & West LLP

(57) **CLAIM**

The ornamental design for a camera, as shown and described.

**DESCRIPTION**

FIG. 1 is a front, top, and left side perspective view of a camera showing our new design;

FIG. 2 is a rear, bottom, and right side perspective view thereof;

FIG. 3 is a front, top, and right side perspective view thereof;

FIG. 4 is a rear, bottom, and left side perspective view thereof;

FIG. 5 is a front elevational view thereof;

FIG. 6 is a rear elevational view thereof;

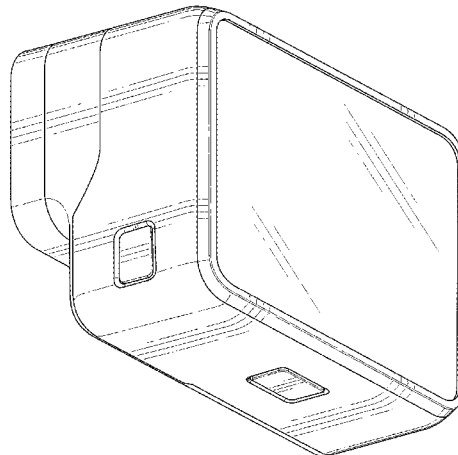
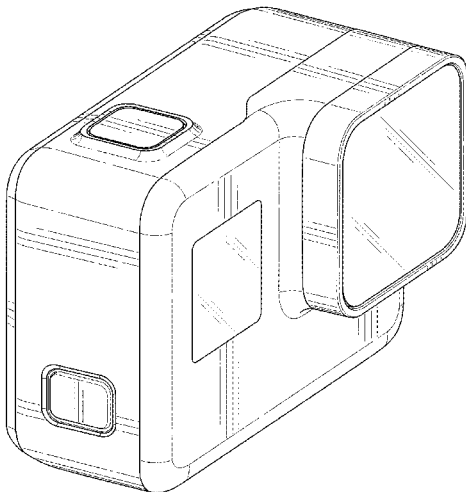
FIG. 7 is a left side elevational view thereof;

FIG. 8 is a right side elevational view thereof;

FIG. 9 is a top plan view thereof; and,

FIG. 10 is a bottom plan view thereof.

**1 Claim, 10 Drawing Sheets**



(56)

**References Cited**

U.S. PATENT DOCUMENTS

D755,270 S	5/2016	Vehlewald et al.	
D755,874 S	5/2016	Yang	
D758,467 S	6/2016	Zhang	
D760,309 S	6/2016	Parfitt et al.	
D769,346 S	10/2016	Nguyen et al.	
D772,966 S *	11/2016	Song .....	D16/200
D773,546 S	12/2016	Nguyen et al.	
D775,254 S	12/2016	Parfitt et al.	
D776,741 S	1/2017	Parfitt et al.	
D785,692 S *	5/2017	Wang .....	D16/200
D789,435 S *	6/2017	Nguyen .....	D16/202
D790,001 S *	6/2017	Parfitt .....	D16/202
D790,002 S *	6/2017	Nguyen .....	D16/218
D791,211 S *	7/2017	Fujita .....	D16/219
D793,463 S *	8/2017	Houin .....	D16/202

\* cited by examiner

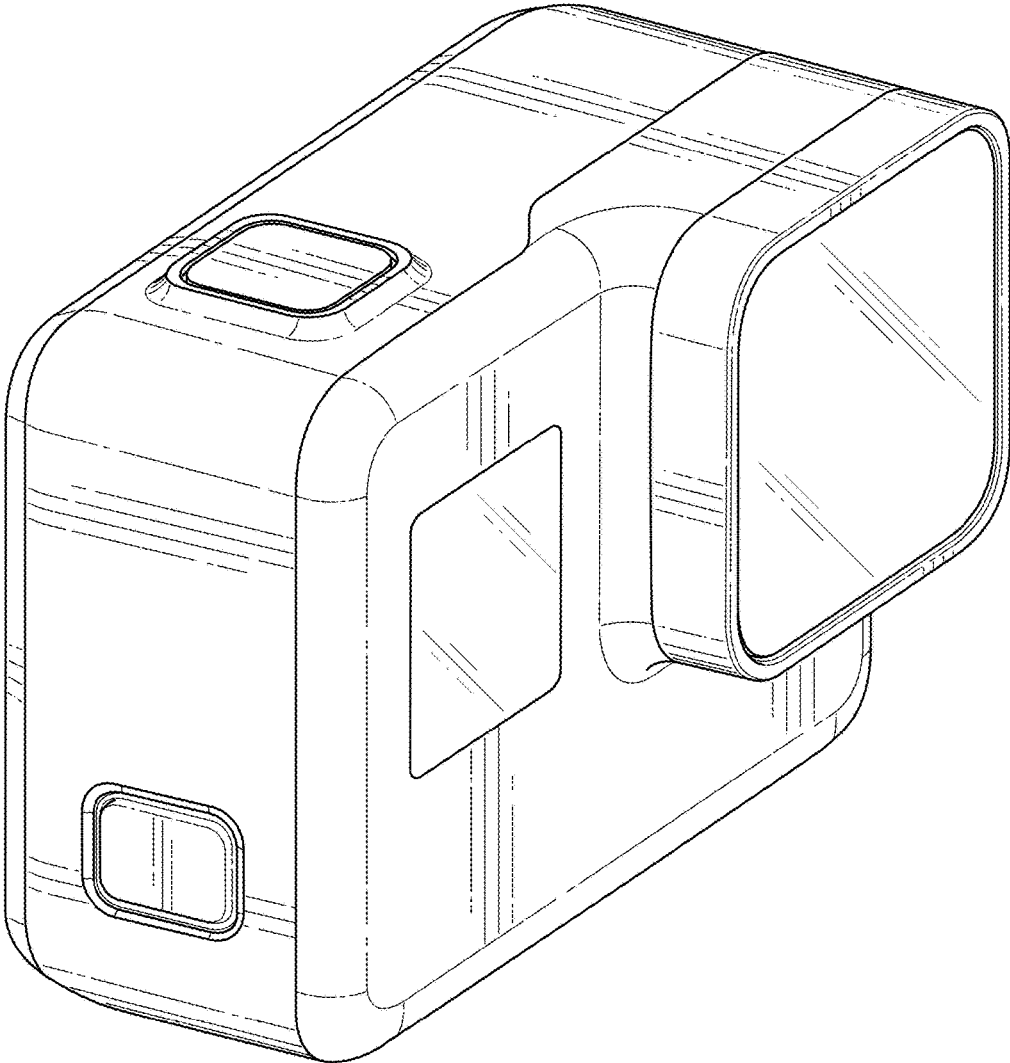


FIG. 1

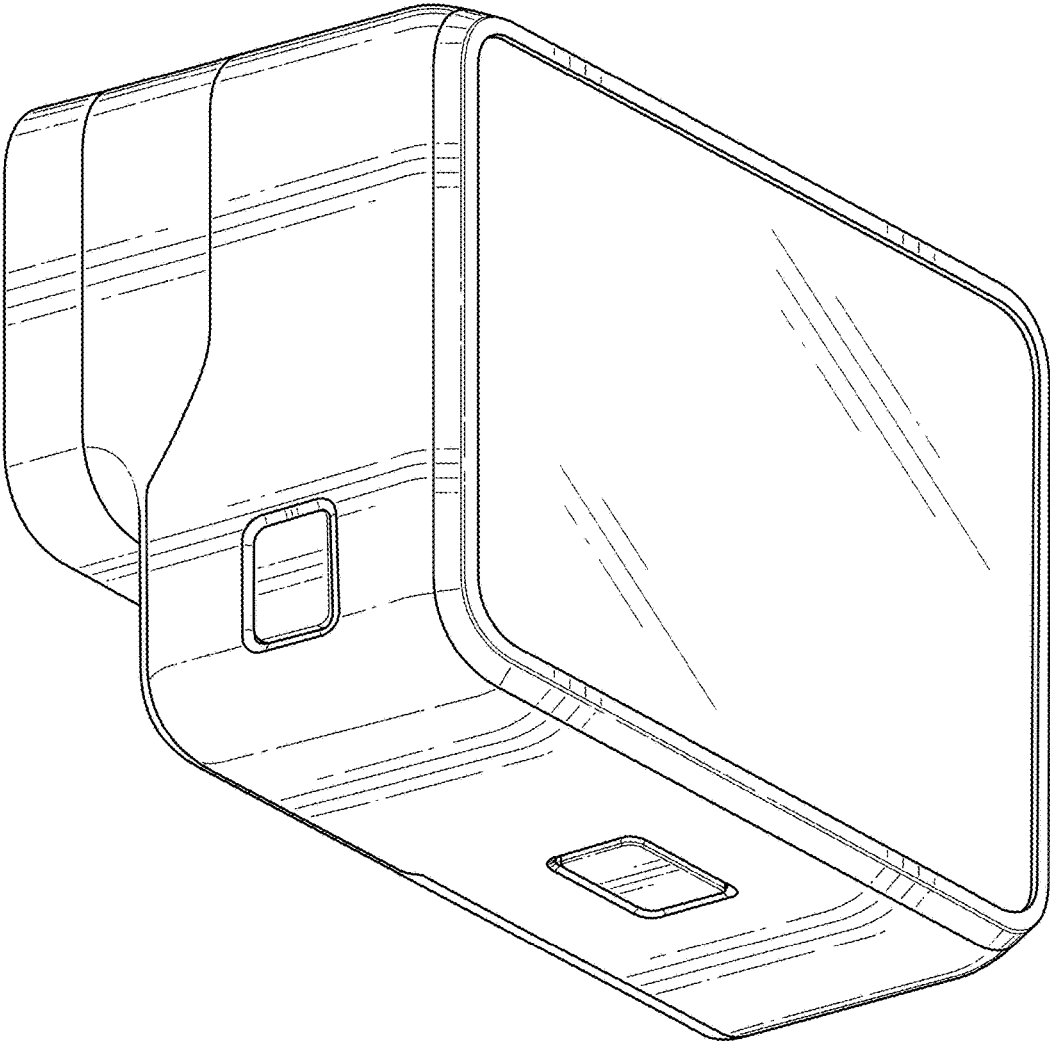


FIG. 2

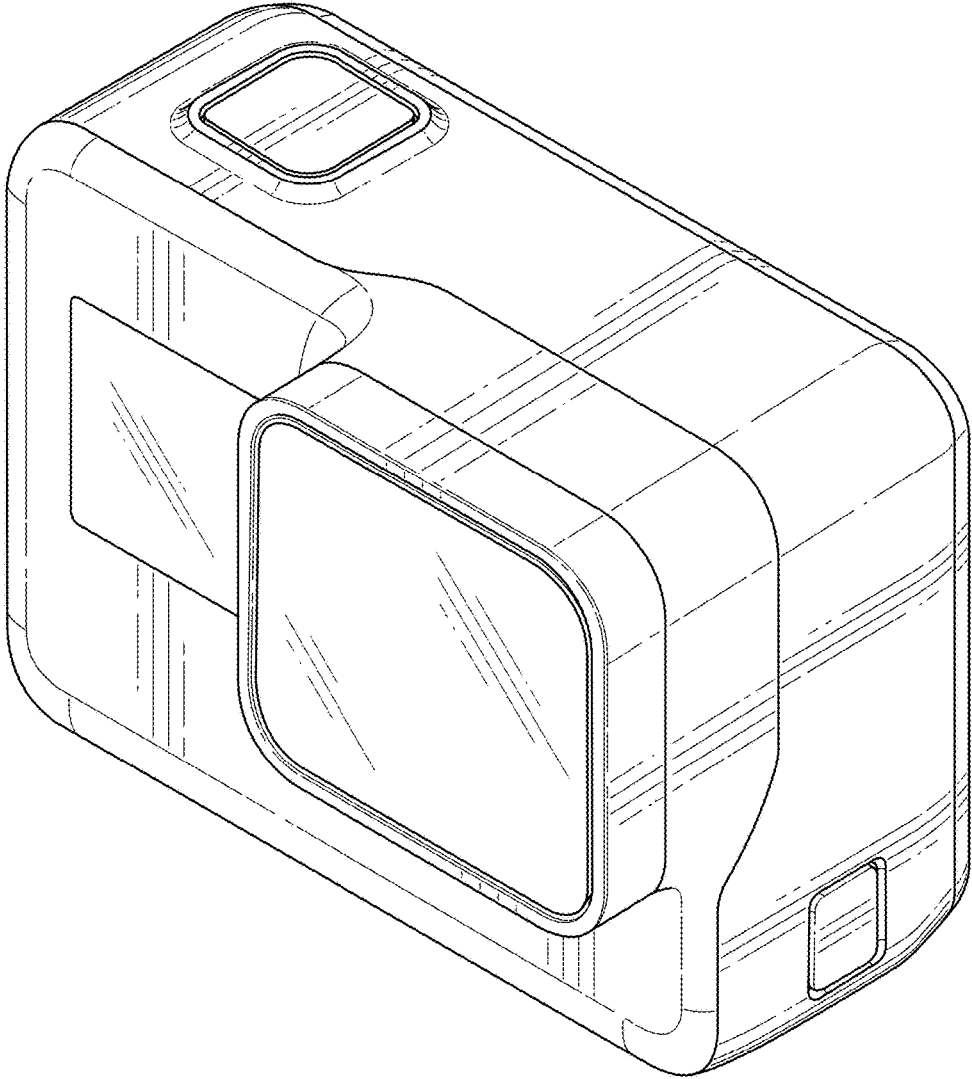


FIG. 3

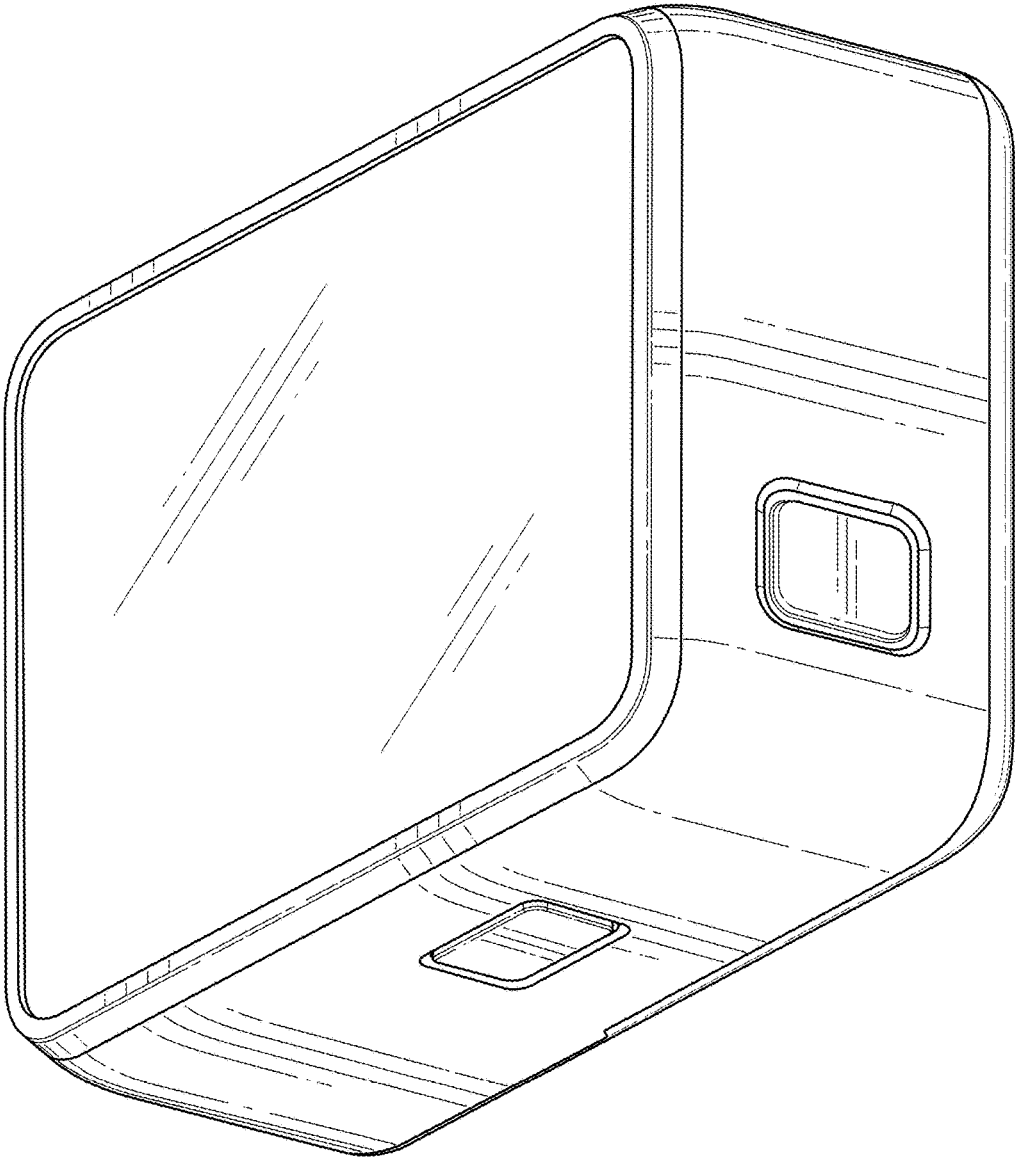


FIG. 4

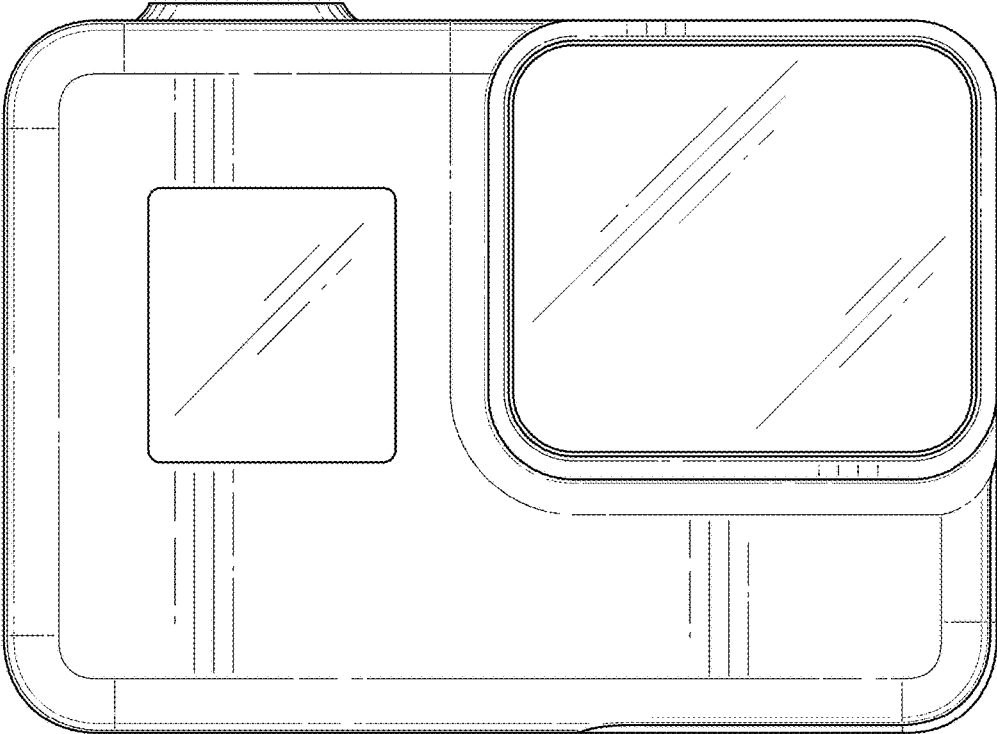


FIG. 5

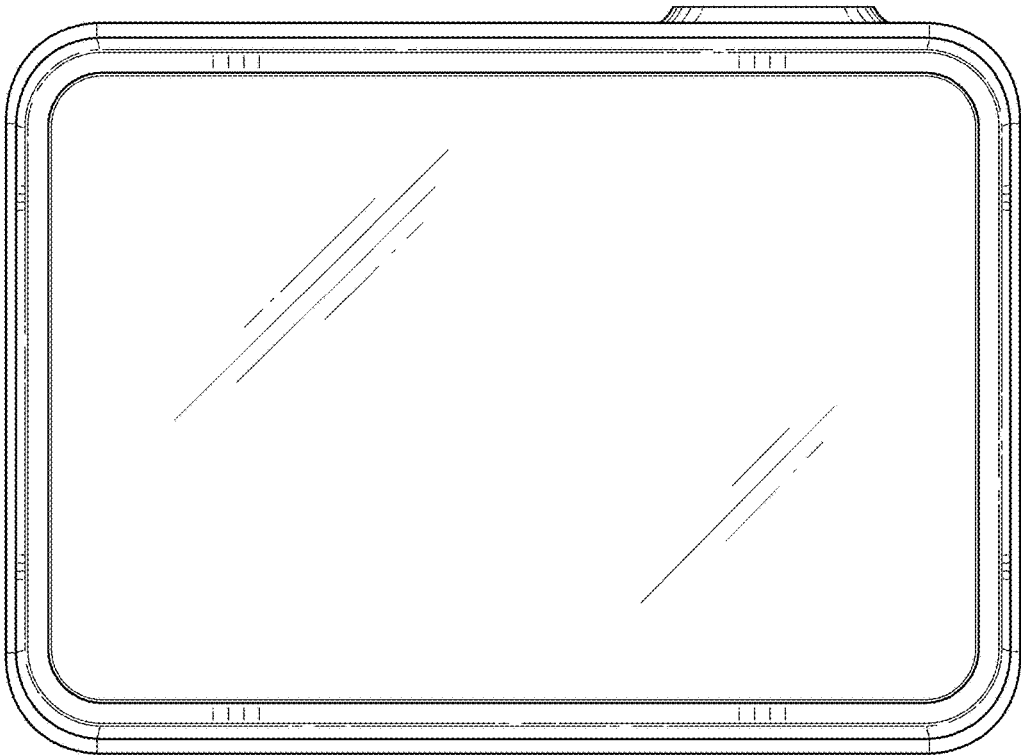


FIG. 6



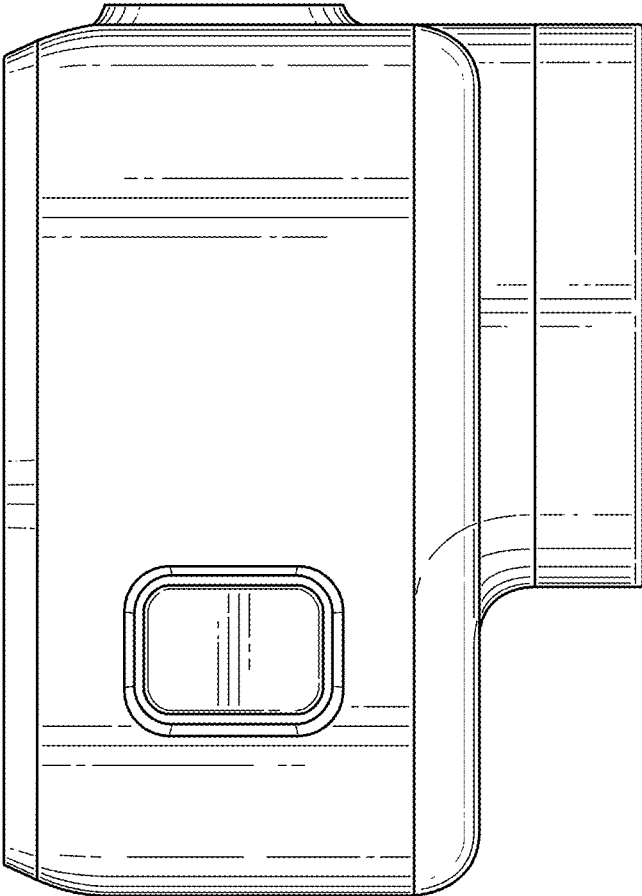


FIG. 7

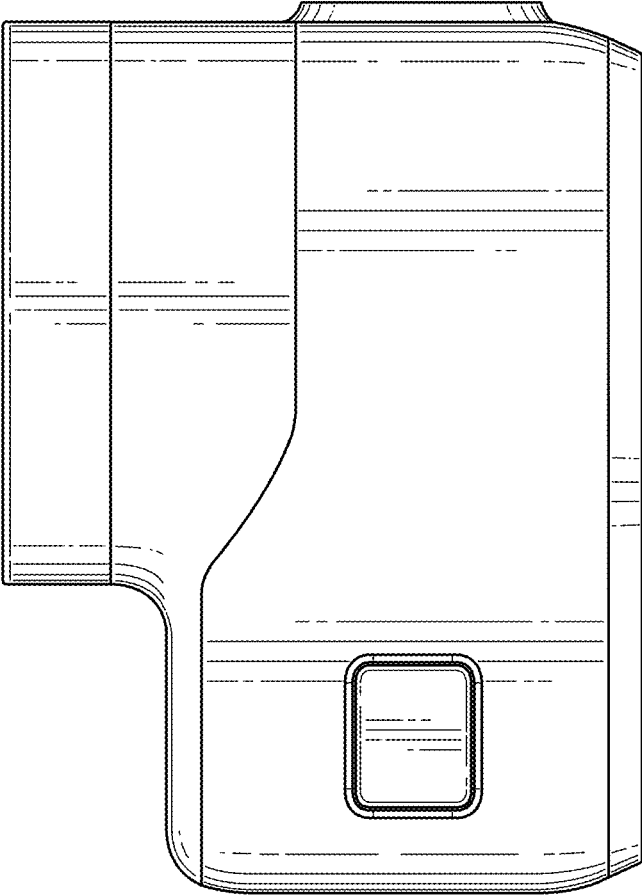


FIG. 8

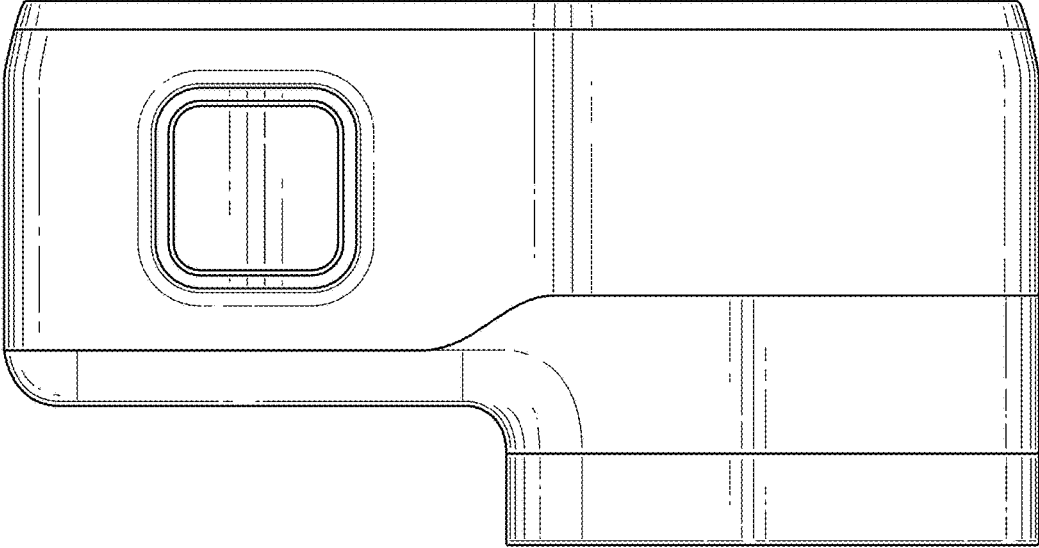


FIG. 9

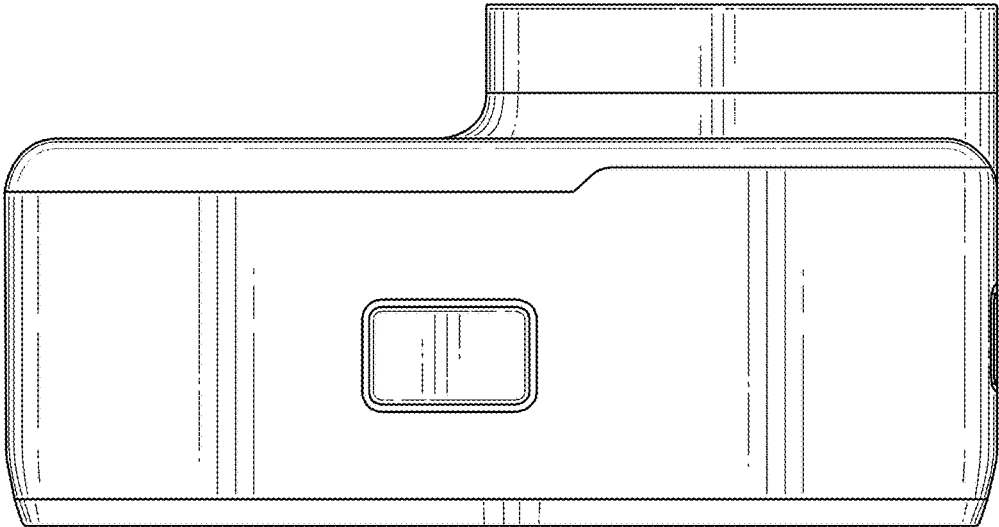


FIG. 10