



US00D358709S

United States Patent [19]

[11] Patent Number: **Des. 358,709**

Chang

[45] Date of Patent: **** May 30, 1995**

[54] **TOOL BOX**

[76] Inventor: **Fu-Ping Chang**, No. 7, Ta Chih Lane, Hsueh Fu Rd., San Ho Tsun, Ta Ya Hsiang, Taichung Hsien, Taiwan, Prov. of China

[**] Term: **14 Years**

[21] Appl. No.: **20,274**

[22] Filed: **Mar. 23, 1994**

[52] U.S. Cl. **D3/282; D3/276**

[58] Field of Search **D3/273, 276, 281, 282, D3/292, 294, 900; 190/100, 115, 122, 900, 901**

[56] **References Cited**

U.S. PATENT DOCUMENTS

- D. 196,955 11/1963 Parsell D3/282
- D. 218,267 8/1970 Belokin D3/289 X
- D. 314,669 2/1991 Kunimune D3/900 X
- D. 339,684 9/1993 Cislo D3/900 X

- D. 351,504 10/1994 Tarozzi D3/276
- 4,344,646 8/1982 Michel D3/284 X

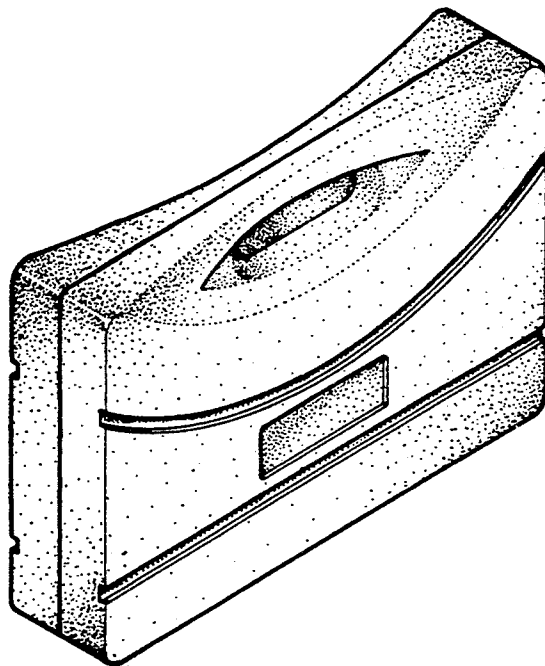
Primary Examiner—Theodore M. Shooman
Assistant Examiner—Dominic Simone
Attorney, Agent, or Firm—Morton J. Rosenberg; David I. Klein

[57] **CLAIM**

The ornamental design for a tool box, as shown and described.

DESCRIPTION

FIG. 1 is a front-left-top perspective view of a tool box, showing my new design;
FIG. 2 is a front elevational view thereof;
FIG. 3 is a rear elevational view thereof;
FIG. 4 is a left side elevational view thereof the right side elevational view being a mirror image thereof;
FIG. 5 is a top plan view thereof; and,
FIG. 6 is a bottom plan view thereof.



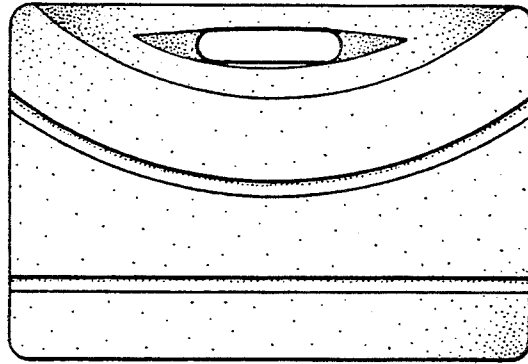


FIG. 3

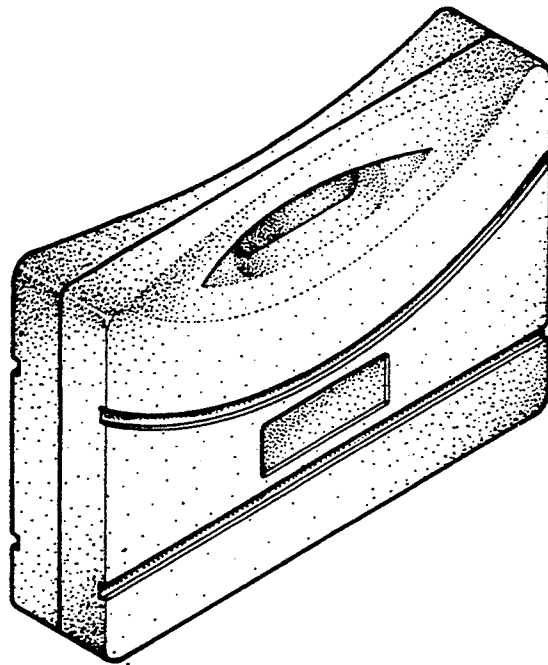


FIG. 1

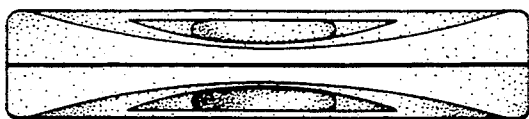


FIG. 5

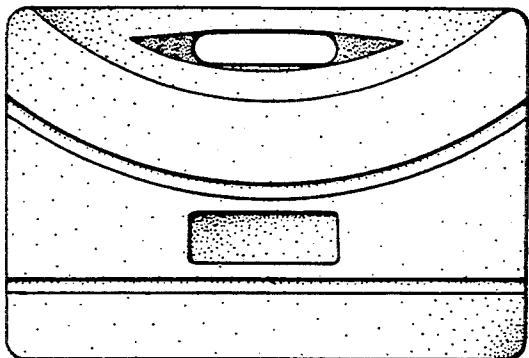


FIG. 2

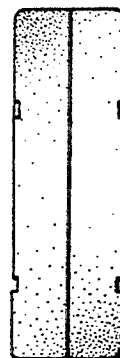


FIG. 4

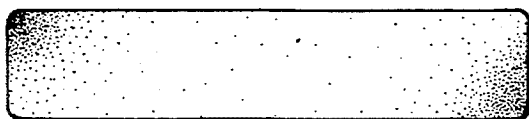


FIG. 6