



US00D669110S

(12) **United States Design Patent**  
**Noh**

(10) **Patent No.:** **US D669,110 S**

(45) **Date of Patent:** **\*\* Oct. 16, 2012**

- (54) **DIGITAL CAMERA**
  - (75) Inventor: **Kyunghan Noh**, Kyunggi-do (KR)
  - (73) Assignee: **Samsung Electronics Co., Ltd.**, Suwon-si (KR)
  - (\*\*) Term: **14 Years**
  - (21) Appl. No.: **29/392,238**
  - (22) Filed: **May 19, 2011**
  - (51) **LOC (9) Cl.** ..... **16-01**
  - (52) **U.S. Cl.** ..... **D16/202**
  - (58) **Field of Classification Search** ..... D16/200–204,  
D16/208, 218; 348/373–376; 358/909.1;  
396/535–541
- See application file for complete search history.

D627,381 S *	11/2010	Kwon	.....	D16/202
D634,765 S *	3/2011	Noh et al.	.....	D16/202
D634,766 S *	3/2011	Ham	.....	D16/202
D641,033 S *	7/2011	Nohara	.....	D16/202

\* cited by examiner

*Primary Examiner* — Adir Aronovich  
(74) *Attorney, Agent, or Firm* — Ladas & Parry LLP

(57) **CLAIM**  
The ornamental design for a digital camera, as shown and described.

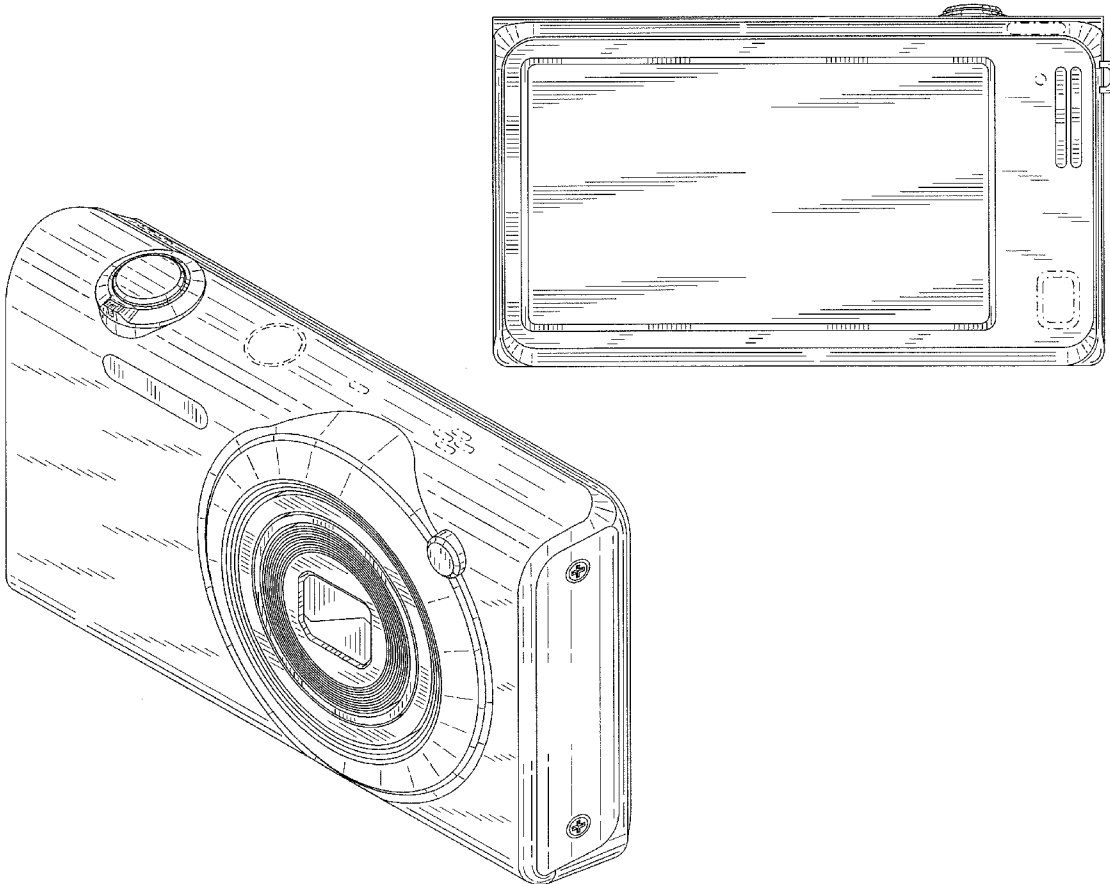
**DESCRIPTION**

FIG. 1 is a front, top and right-side perspective view of a digital camera showing my new design;  
 FIG. 2 is a front elevational view thereof;  
 FIG. 3 is a rear elevational view thereof;  
 FIG. 4 is a left-side elevational view thereof;  
 FIG. 5 is a right-side elevational view thereof;  
 FIG. 6 is a top plan view thereof; and,  
 FIG. 7 is a bottom plan view thereof.

The portions of the camera in broken lines are shown for illustrative purposes only and form no part of the claimed design.

**1 Claim, 4 Drawing Sheets**

- (56) **References Cited**
- U.S. PATENT DOCUMENTS
- D545,335 S \* 6/2007 Kanno ..... D16/218
- D561,219 S \* 2/2008 Nagayama et al. .... D16/202
- D568,358 S \* 5/2008 Shimobayashi ..... D16/202
- D577,756 S \* 9/2008 Nakamura ..... D16/202
- 7,646,426 B2 \* 1/2010 Saiki et al. .... 348/373



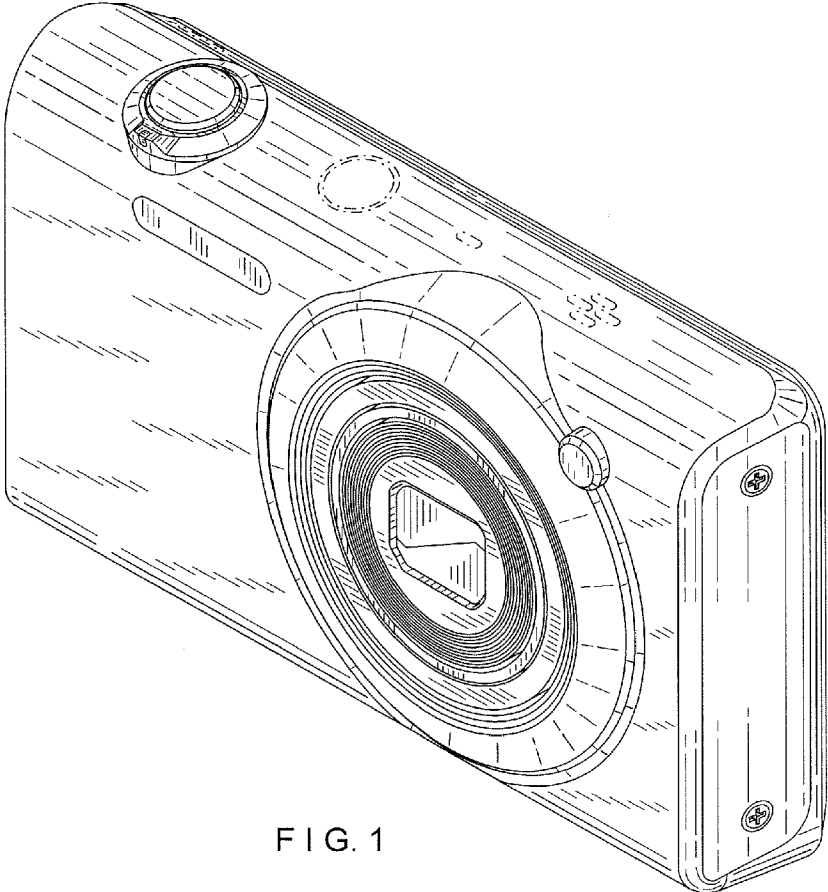


FIG. 1

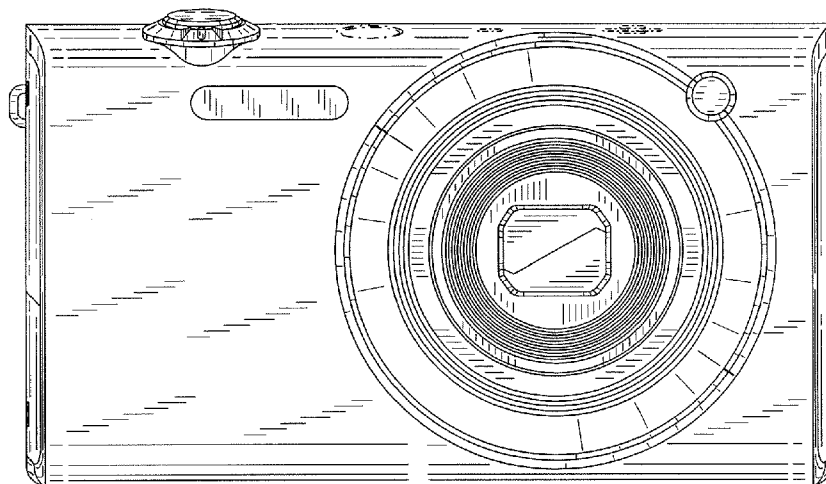


FIG. 2

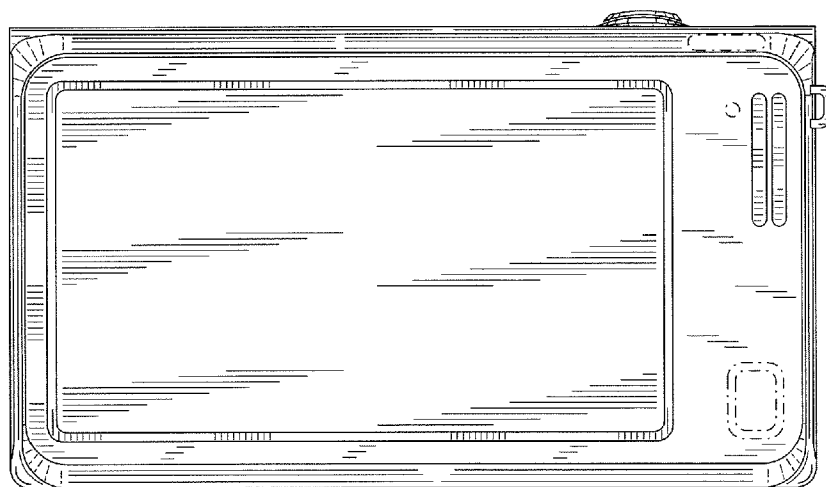


FIG. 3

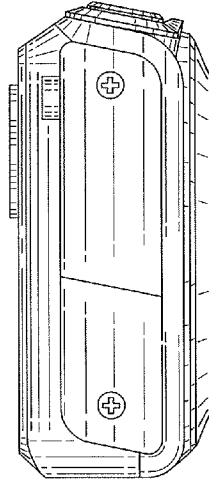


FIG. 4

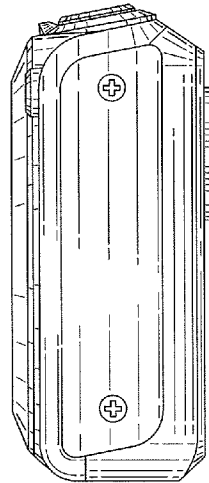


FIG. 5

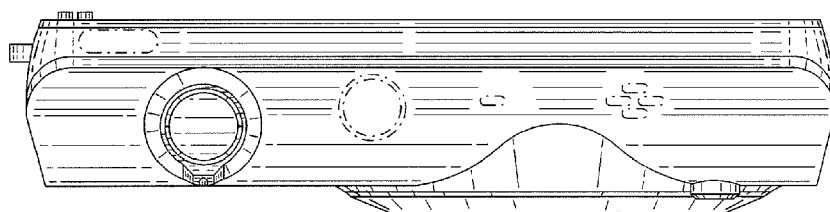


FIG. 6

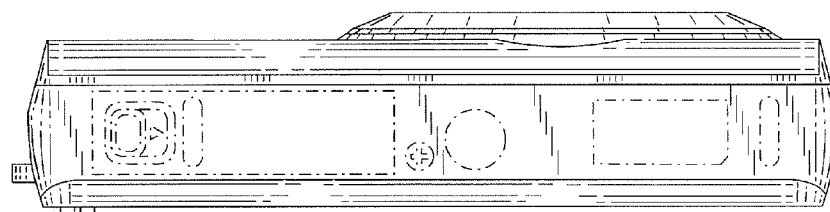


FIG. 7