



US00D698434S

(12) **United States Design Patent**
Wolff

(10) **Patent No.:** **US D698,434 S**

(45) **Date of Patent:** **** Jan. 28, 2014**

(54) **BIRD AND LARGE INSECT VENT CAP FOR EXHAUST PIPES FOR HIGH EFFICIENCY FURNACES**

(71) Applicant: **Gary Wolff**, Fenton, MO (US)

(72) Inventor: **Gary Wolff**, Fenton, MO (US)

(**) Term: **14 Years**

(21) Appl. No.: **29/442,624**

(22) Filed: **Apr. 5, 2013**

Related U.S. Application Data

(62) Division of application No. 29/442,224, filed on Jan. 8, 2013, which is a division of application No. 29/373,116, filed on Mar. 2, 2011, now Pat. No. Des. 677,376.

(51) **LOC (10) Cl.** **23-04**

(52) **U.S. Cl.**
USPC **D23/393**

(58) **Field of Classification Search**
USPC D22/119; D23/323, 330, 335-336, 341, D23/370-371, 385-393; 52/16, 101, 244; 210/162; 285/46; 454/275, 279-280
See application file for complete search history.

(56) **References Cited**

U.S. PATENT DOCUMENTS

1,937,732	A	*	12/1933	Tverdak	210/162
2,005,408	A		6/1935	Allin		
2,224,485	A		12/1940	Pekkala		
D180,658	S	*	7/1957	Jacks	D23/336
3,324,590	A		6/1967	Richardson		
D233,605	S		11/1974	Holt et al.		
D255,488	S	*	6/1980	Kanarek	D23/370
5,102,537	A		4/1992	Jones		
5,120,454	A		6/1992	Wieties		
D341,417	S	*	11/1993	Wortham	D23/336

5,291,707	A		3/1994	McDonald		
5,341,767	A	*	8/1994	Smith	454/275
5,427,417	A		6/1995	Lechuga		
5,507,691	A		4/1996	Nishizawa		
D370,723	S		6/1996	Nishizawa		
D372,068	S	*	7/1996	Disanto	D22/119
5,581,934	A	*	12/1996	Arnold, Sr.	210/162
D404,459	S	*	1/1999	Furner et al.	D22/119
6,061,950	A	*	5/2000	Carey et al.	43/125
D427,303	S		6/2000	Brown		
D462,436	S		9/2002	Bennett et al.		
D466,605	S		12/2002	Ziegler		
D537,519	S	*	2/2007	Sigillo	D23/393
7,685,778	B2		3/2010	Edell		
8,347,424	B2		1/2013	Wroblewski et al.		
D677,376	S		3/2013	Wolff		
2004/0003547	A1		1/2004	Beedle		
2007/0157531	A1		7/2007	Whitaker		

OTHER PUBLICATIONS

http://inspectapedia.com/plumbing/Plumbing_Vents.htm; photograph of a wallvent next to an outdoor chair. Copyright 2011.*

* cited by examiner

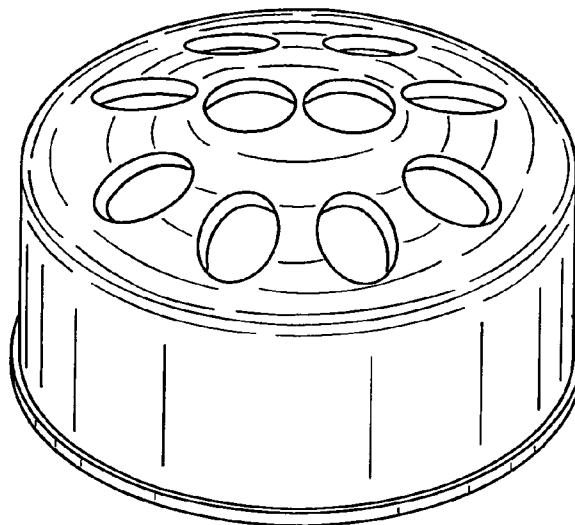
Primary Examiner — Cathy A MacCormac
(74) *Attorney, Agent, or Firm* — Paul M Denk

(57) **CLAIM**
The ornamental design for the bird and large insect vent cap for exhaust pipes for high efficiency furnaces, as shown and described.

DESCRIPTION

FIG. 1 is a perspective view of a bird and large insect vent cap for exhaust pipes for high efficiency furnaces;
FIG. 2 is a top plan view;
FIG. 3 is a bottom view;
FIG. 4 is a side view; and,
FIG. 5 is a front view of the invention.

1 Claim, 2 Drawing Sheets



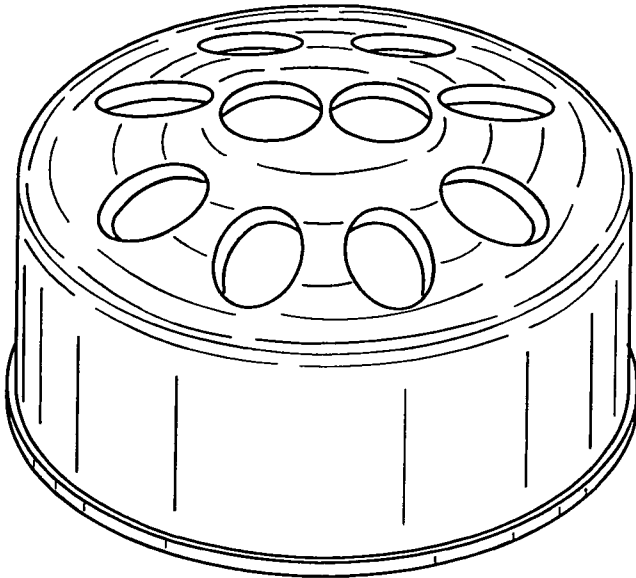


FIG. 1

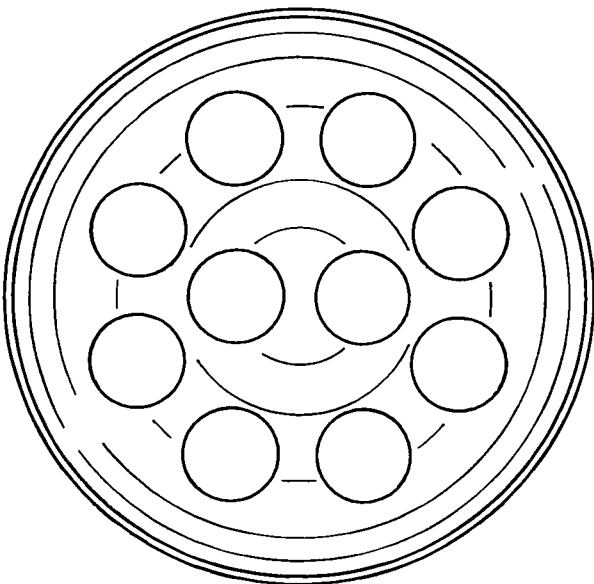


FIG. 2

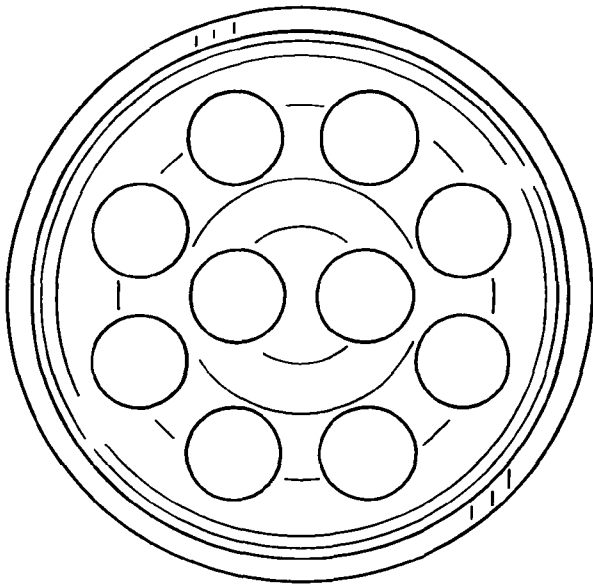


FIG. 3

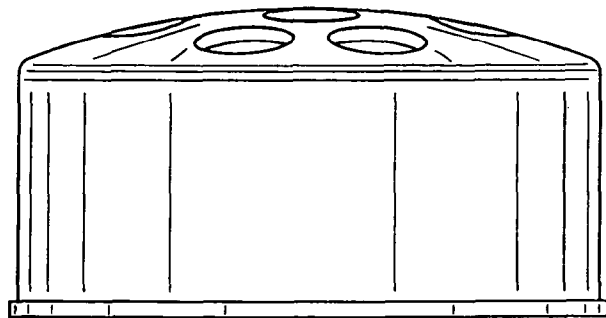


FIG. 4

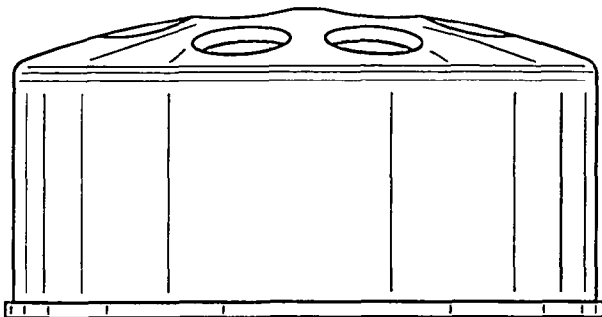


FIG. 5