



US00D842700S

(12) **United States Design Patent**
Blomberg et al.

(10) **Patent No.:** **US D842,700 S**
(45) **Date of Patent:** **** Mar. 12, 2019**

(54) **JAR**

(71) Applicant: **POLLEN GEAR LLC**, New York, NY (US)

(72) Inventors: **Shane Grant Blomberg**, Brooklyn, NY (US); **Edward Kilduff**, New York, NY (US)

(73) Assignee: **POLLEN GEAR LLC**, Hermosa Beach, CA (US)

(**) Term: **15 Years**

(21) Appl. No.: **29/589,016**

(22) Filed: **Dec. 27, 2016**

Related U.S. Application Data

(63) Continuation-in-part of application No. 29/580,322, filed on Oct. 7, 2016.

(51) **LOC (11) Cl.** **09-01**

(52) **U.S. Cl.**
USPC **D9/500; D9/520**

(58) **Field of Classification Search**
USPC D9/414, 434-435, 444-445, 449, 454, D9/500, 503-504, 516, 520, 529, 549,
(Continued)

(56) **References Cited**

U.S. PATENT DOCUMENTS

D34,061 S 2/1901 Scattergood
D65,326 S 7/1924 Cahalane
(Continued)

FOREIGN PATENT DOCUMENTS

CN 301921442 S 5/2012
CN 303603019 S 3/2016
(Continued)

OTHER PUBLICATIONS

"7ml clear glass low-profile jar with 38-400 neck finish", Container & packaging Supply, retrieved Aug. 2017.

(Continued)

Primary Examiner — Dana Meyrow

(74) *Attorney, Agent, or Firm* — RMCK Law Group PLC

(57)

CLAIM

The ornamental design for jar, as shown and described.

DESCRIPTION

FIG. 1 is a bottom perspective view of a jar in accordance with the present invention.

FIG. 2 is a front elevation view thereof;

FIG. 3 is a rear elevation view thereof;

FIG. 4 is a left side elevation view thereof;

FIG. 5 is a right side elevation view thereof;

FIG. 6 is a bottom plan view thereof;

FIG. 7 is a bottom perspective view of a second embodiment of our new design for a jar.

FIG. 8 is a front elevation view thereof;

FIG. 9 is a rear elevation view thereof;

FIG. 10 is a left side elevation view thereof;

FIG. 11 is a right side elevation view thereof;

FIG. 12 is a bottom plan view thereof;

FIG. 13 is a bottom perspective view of a third embodiment of our new design for a jar.

FIG. 14 is a front elevation view thereof;

FIG. 15 is a rear elevation view thereof;

FIG. 16 is a left side elevation view thereof;

FIG. 17 is a right side elevation view thereof;

FIG. 18 is a bottom plan view thereof;

FIG. 19 is a bottom perspective view of a fourth embodiment of our new design for a jar.

FIG. 20 is a front elevation view thereof;

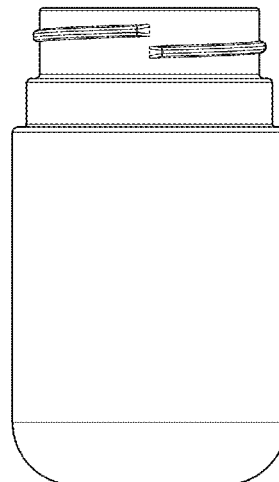
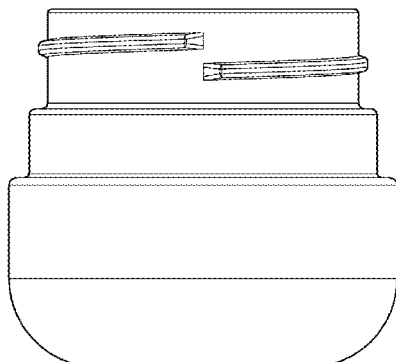
FIG. 21 is a rear elevation view thereof;

FIG. 22 is a left side elevation view thereof;

FIG. 23 is a right side elevation view thereof; and,

FIG. 24 is a bottom plan view thereof.

1 Claim, 12 Drawing Sheets



(58) **Field of Classification Search**

USPC D9/558, 715; D3/202, 203.2, 302;
D7/608, 629–630; D28/4, 8, 76, 91
CPC B65D 1/00; B65D 1/02; B65D 1/0223;
B65D 23/00; B65D 81/00; B65D
2501/00; B65D 2501/0009
See application file for complete search history.

D633,386	S	3/2011	Taber et al.	
D633,794	S *	3/2011	Cresswell	D9/500
D633,795	S *	3/2011	Cresswell	D9/500
D633,796	S *	3/2011	Cresswell	D9/500
D633,797	S *	3/2011	Cresswell	D9/500
D634,202	S	3/2011	Zamberlan et al.	
D635,030	S	3/2011	L'Abbate	
D638,300	S	5/2011	L'Abbate	
D639,663	S	6/2011	Llerena	
D641,257	S	7/2011	Thiebaut et al.	
D659,539	S *	5/2012	Bakic	D9/503
D661,192	S *	6/2012	Hwang	D9/504
8,205,761	B2	6/2012	Stull et al.	
D666,061	S	8/2012	Ying	
D679,990	S	4/2013	O'Brien et al.	
D681,278	S	4/2013	Schlatter	
D683,221	S *	5/2013	Graham	D9/504
D687,299	S	8/2013	Peykoff et al.	
8,672,158	B2	3/2014	Taber et al.	
8,863,947	B2	10/2014	Sibley	
D721,270	S *	1/2015	Dittmer	D9/503
D721,589	S	1/2015	Sturdevant et al.	
9,045,265	B2	6/2015	Adamczak	
D736,087	S	8/2015	Birgers	
D739,741	S	9/2015	Staab	
9,151,531	B2 *	10/2015	Wengreen	A61M 5/002
D750,885	S *	3/2016	Chazel	D3/203.2
D765,512	S *	9/2016	Joulia	D28/7
D773,302	S	12/2016	Henriksson	
D781,151	S	3/2017	Lerman	
D782,313	S	3/2017	Roser	
9,629,437	B2 *	4/2017	Shen	A45D 33/00
D787,895	S *	5/2017	Kilduff	D7/629
D797,559	S	9/2017	Lerman	
D799,963	S	10/2017	Akiyama	
D803,060	S	11/2017	Marina et al.	
D804,807	S *	12/2017	Wengreen	D3/203.1
D808,812	S	1/2018	Talsania et al.	
D809,868	S *	2/2018	Eyal	D7/523
D818,648	S *	5/2018	Cleij	D28/85
D827,388	S	9/2018	Kander	
D828,113	S	9/2018	Fleischhut	
D829,058	S	9/2018	Seiders et al.	
2005/0074528	A1	4/2005	Servaux et al.	
2008/0308518	A1	12/2008	Sprishen	
2008/0314900	A1	12/2008	Biesecker et al.	
2009/0212004	A1	8/2009	Metzger et al.	
2011/0147334	A1	6/2011	Mettu et al.	
2013/0105476	A1 *	5/2013	Hammer	A45D 33/18 220/23.83
2014/0311940	A1	10/2014	Braveman	
2014/0343493	A1 *	11/2014	Wengreen	A61J 1/165 604/114
2015/0076103	A1	3/2015	Koller et al.	
2015/0122767	A1	5/2015	Mettu et al.	
2015/0122769	A1	5/2015	Taber et al.	
2015/0298866	A1	10/2015	Hagen	
2016/0030285	A1	2/2016	Miceli et al.	
2016/0107796	A1	4/2016	Sibley	
2016/0295993	A1	10/2016	Wojcik et al.	

(56) **References Cited**

U.S. PATENT DOCUMENTS

2,076,549	A *	4/1937	Conner	A45D 40/0068 215/10
2,076,551	A	4/1937	Conner	
2,077,215	A	4/1937	Conner	
2,077,216	A	4/1937	Conner	
2,711,766	A	6/1955	Archer et al.	
2,770,382	A *	11/1956	Ritter	B65D 41/04 215/329
2,804,103	A	8/1957	Wall	
2,980,275	A	4/1961	Adolf	
3,311,248	A	3/1967	Marchant	
3,601,250	A	8/1971	Merila	
D237,361	S	10/1975	Picker	
D242,222	S *	11/1976	Pettengill	D9/602
4,020,965	A	5/1977	Northup	
4,090,631	A	5/1978	Grussen	
D249,021	S *	8/1978	Pettengill	D9/602
4,346,815	A *	8/1982	Raymor	B65D 1/46 215/321
D272,722	S *	2/1984	Haakenson	D9/503
D273,766	S *	5/1984	Lampe	D9/424
D274,848	S *	7/1984	Chevassus	D28/76
D275,733	S	10/1984	Pardo	
D278,121	S *	3/1985	Sussman	D9/504
D280,291	S *	8/1985	Copsey	D9/500
D280,975	S	10/1985	Dine	
D281,673	S *	12/1985	Lampe	D9/424
D281,764	S	12/1985	Legrottaglie	
D284,252	S *	6/1986	Lichtenvort	D7/597
D302,384	S	7/1989	Holewinski	
D322,753	S *	12/1991	Sussman	D11/152
5,197,616	A	3/1993	Buono	
D347,359	S	5/1994	Robbins, I	
D381,259	S	7/1997	Hayes	
D382,809	S	8/1997	Aldrich et al.	
D403,589	S	1/1999	Wong	
D403,590	S	1/1999	Wong	
D405,609	S *	2/1999	Fu	D3/302
5,894,949	A	4/1999	Taskis et al.	
D438,376	S *	3/2001	Marshall	D3/257
D441,284	S	5/2001	Saur et al.	
D442,864	S	5/2001	Davies	
D445,690	S	7/2001	Ekkert	
D453,473	S	2/2002	Bianco	
D466,814	S	12/2002	Hurlburt	
D484,644	S *	12/2003	Noh	D28/76
D485,017	S	1/2004	Noh	
D491,800	S *	6/2004	Palomino, Jr.	D9/504
D493,721	S	8/2004	Puigbo	
D497,778	S *	11/2004	Rich	D7/608
D506,128	S	6/2005	Foi	
D507,679	S *	7/2005	Ashiwa	D28/76
6,986,807	B2	1/2006	Brunk	
D519,837	S	5/2006	Sturk et al.	
7,185,780	B2	3/2007	Nomula	
D554,367	S	11/2007	Chou et al.	
D567,090	S	4/2008	Swint et al.	
D574,240	S	8/2008	Szczesniak	
D578,891	S	10/2008	Puigbo	
7,527,159	B2	5/2009	Brozell	
D612,240	S *	3/2010	Cresswell	D9/454
7,815,061	B1	10/2010	Robinson et al.	
D626,414	S *	11/2010	Cresswell	D9/500
D629,689	S *	12/2010	Cresswell	D9/500
D629,691	S *	12/2010	Cresswell	D9/500

FOREIGN PATENT DOCUMENTS

FR	2720376	A1	12/1995
JP	2001158455	A	6/2001
SI	9650055		10/1996
TR	200501421		7/2005
WO	8302763	A1	8/1983

OTHER PUBLICATIONS

“Frosted Glass Low Profile Jar—7ml”, Saffire Blue inc., retrieved Aug. 2017.
“Glass Jar: EL-32315”, Products, McKeman Packaging Clearing House, retrieved Aug. 2017, 4 pages.
“McKeman Adds Low Profile, Frosted Glass Jars”, Beauty Packaging, published Jun. 2012, 7 pages.

(56)

References Cited

OTHER PUBLICATIONS

Alameda Packaging, Child Resistant Plastic Caps; https://www.alamedapackaging.com/Catalog/Caps/Plastic_Caps/NonDispensing_Caps/181/Child_Resistant_Plastic_Caps.html; Oct. 3, 2014.

DHgate.com, Clear color 5ml glass jar tempered glass storage jars dab wax jar container oil concentrate & cosmetic cream container, <http://www.dhgate.com/product/clear-color-5ml-glass-jar-tempered-glass/238531495.html>; Apr. 29, 2016.

Holistic Packaging Company <http://holisticpackaging.com/>, Apr. 29, 2016.

SKS Science, White Child Resistant PE Lined "Push Down" Caps, <https://www.sks-science.com/closures-p-2756.html>; Aug. 10, 2005.

Van Blarcom Closures Inc., Two-Piece Plastic; Saf-Cap IIIA, ASTM Type 1A, Oct. 20, 2004.

* cited by examiner

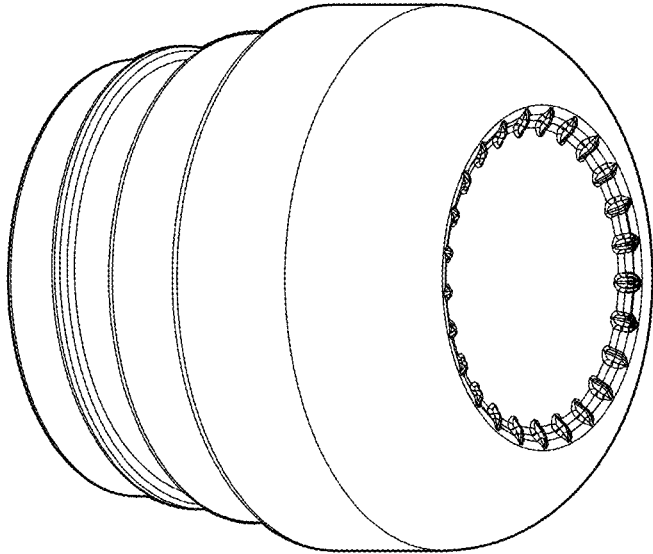


FIG.1

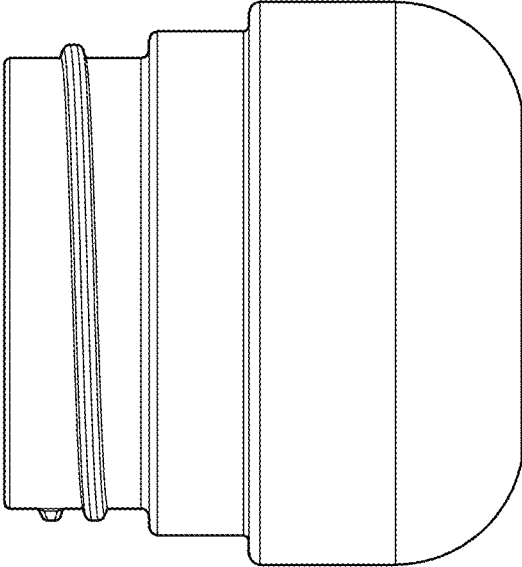


FIG.2

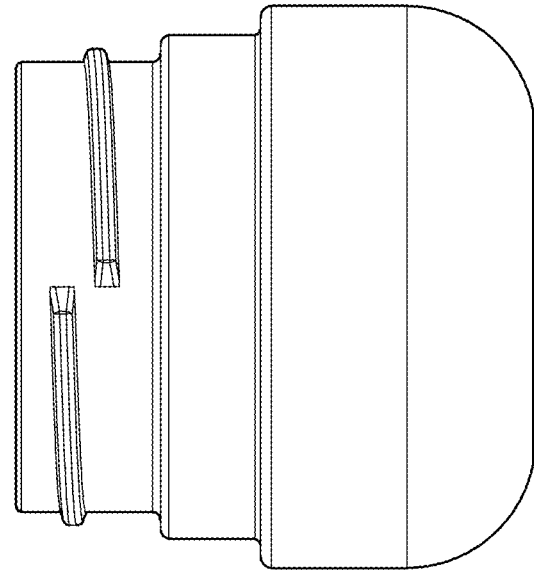


FIG.4

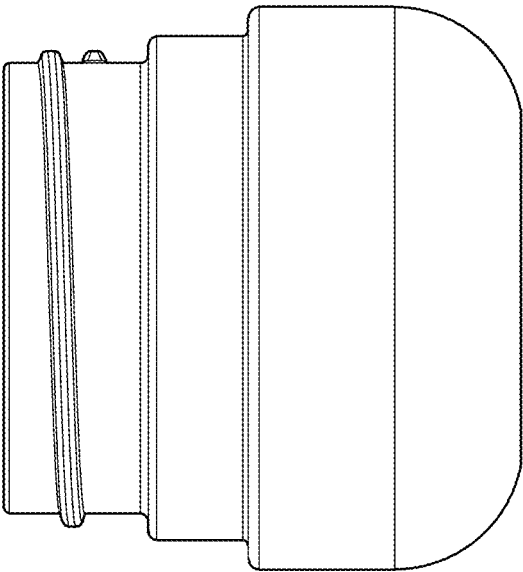


FIG.3

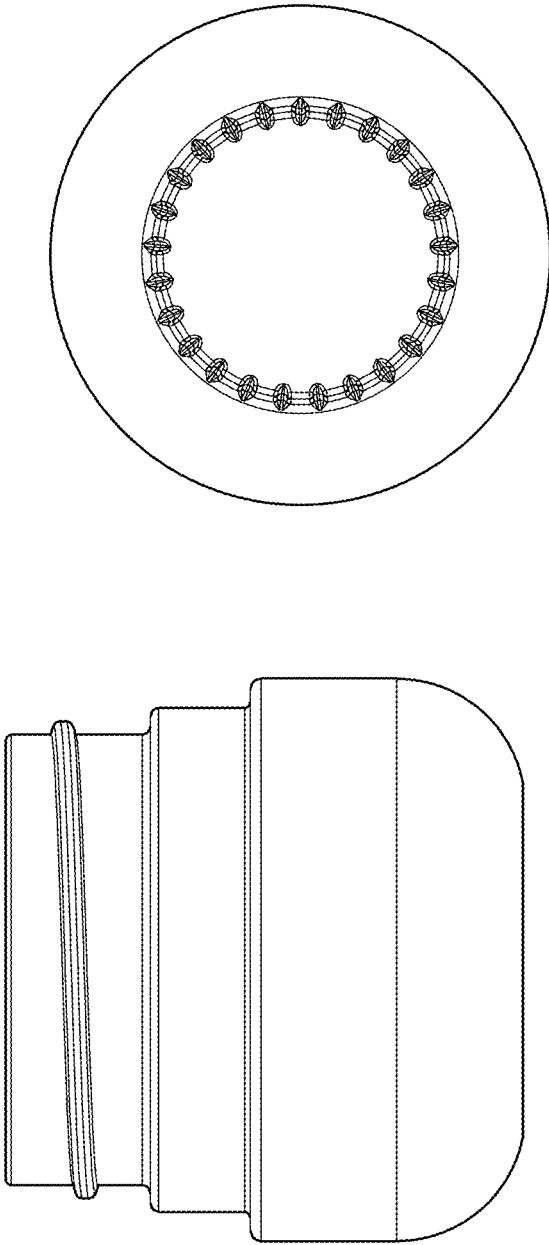


FIG.6

FIG.5

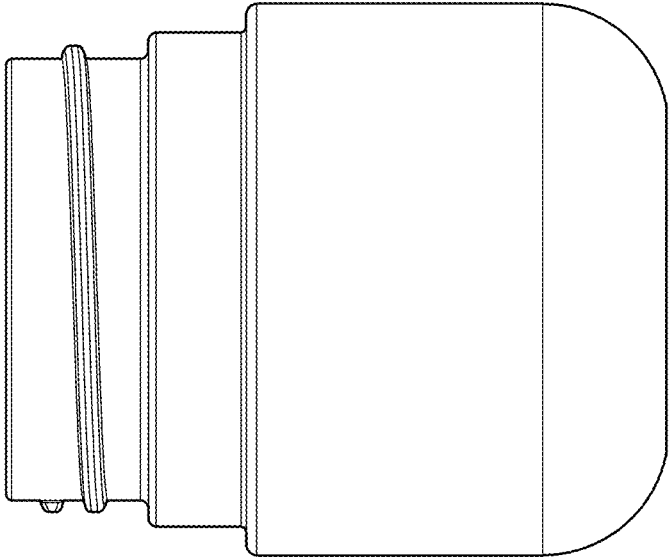


FIG. 8

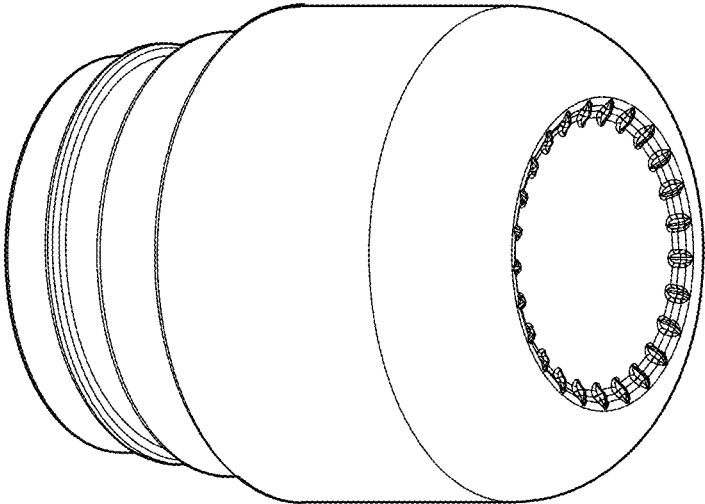


FIG. 7

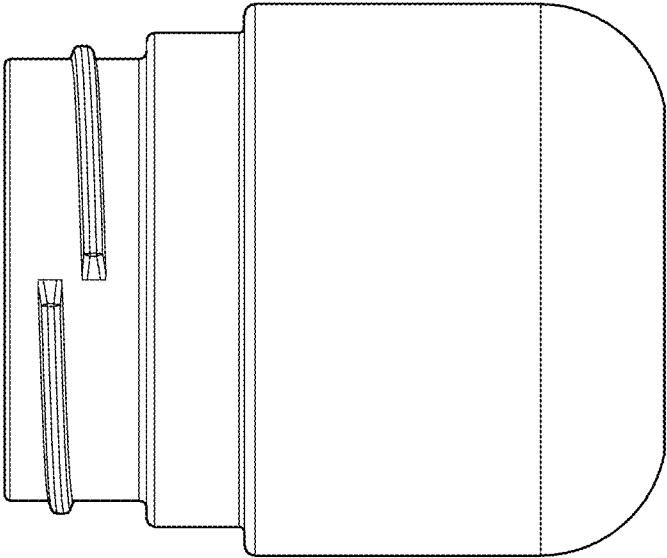


FIG.10

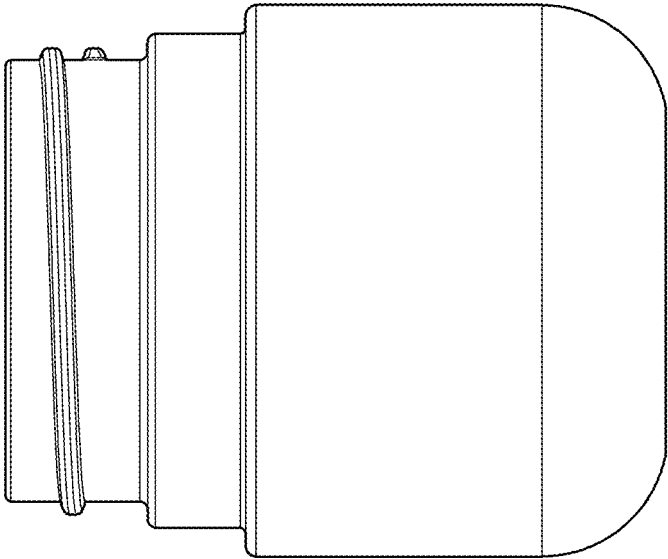


FIG.9

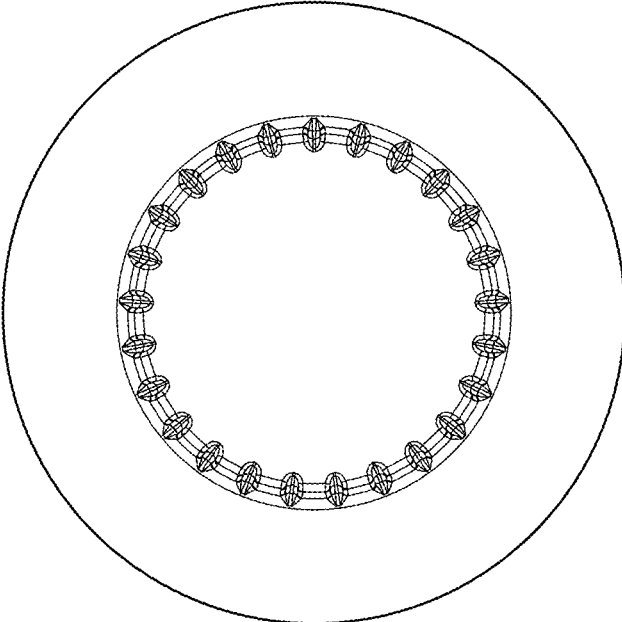


FIG.12

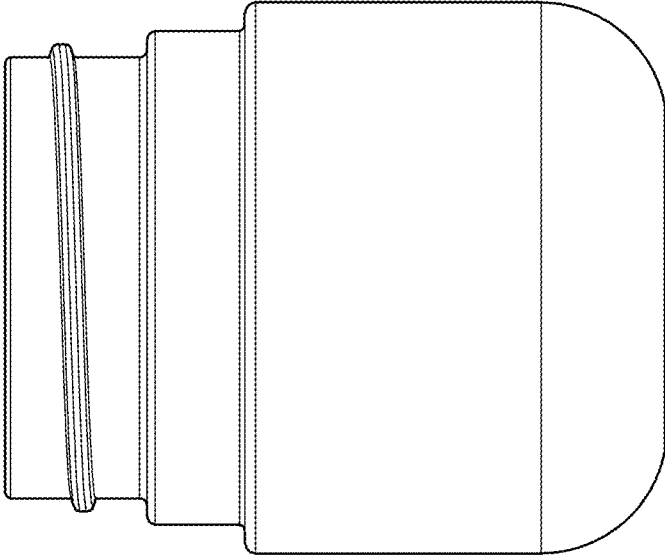


FIG.11

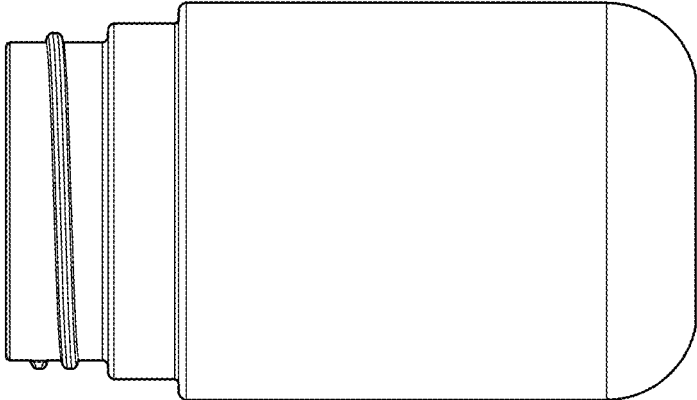


FIG.14

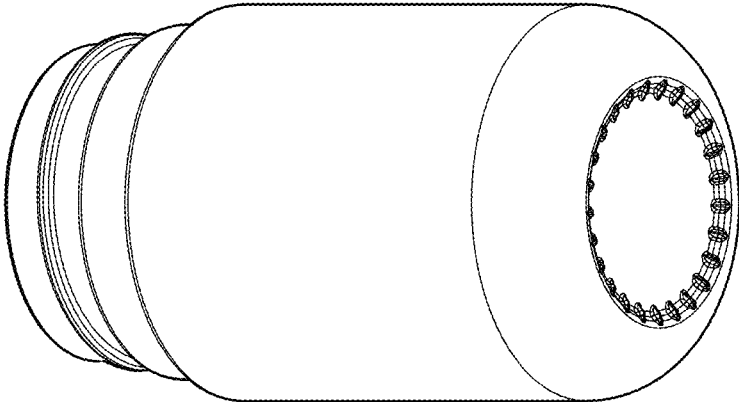


FIG.13

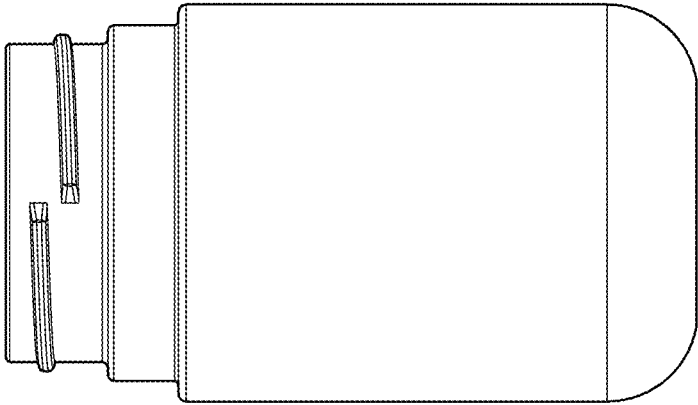


FIG.15

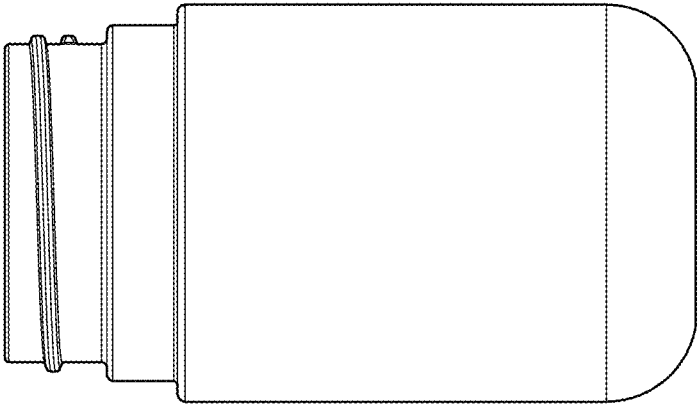


FIG.16

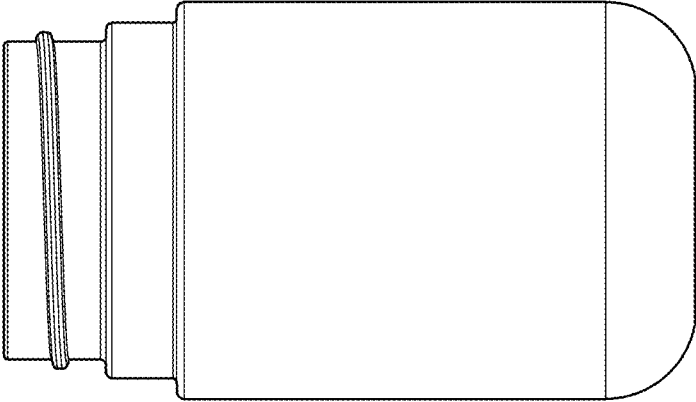


FIG.17

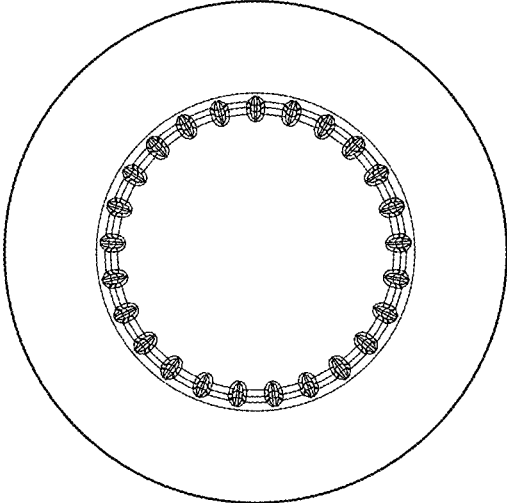


FIG.18

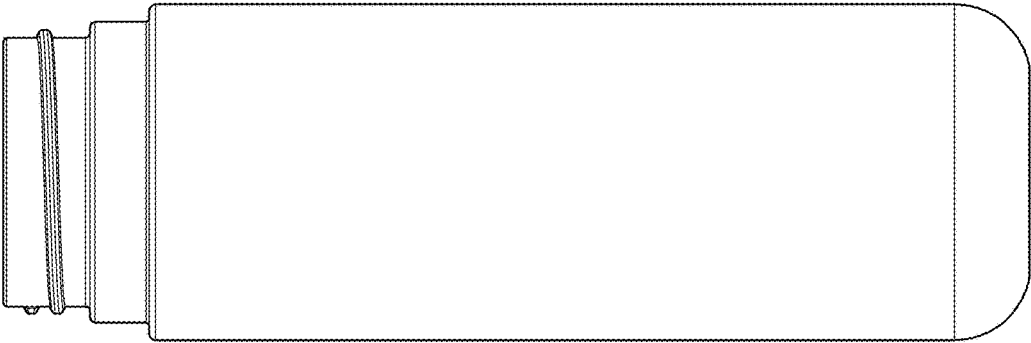


FIG.20

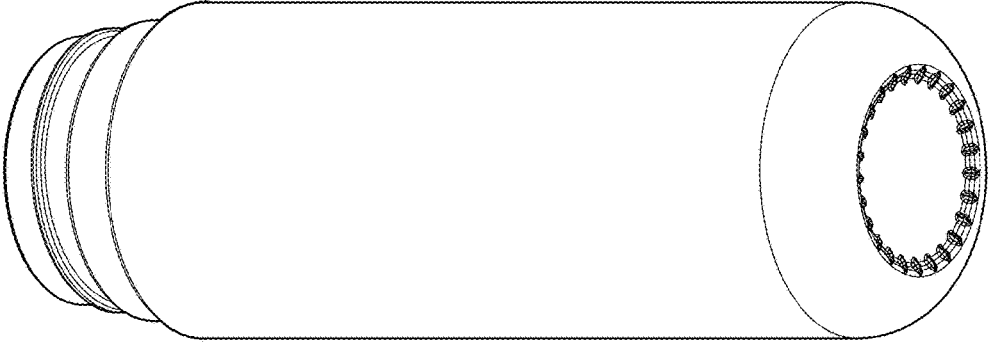


FIG.19

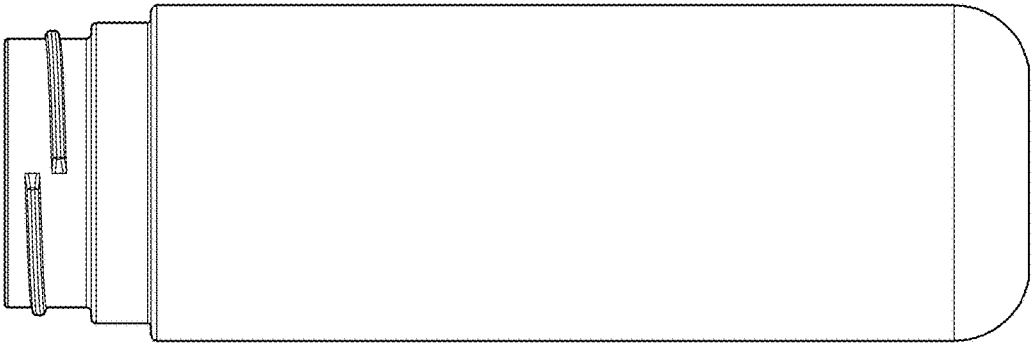


FIG.22

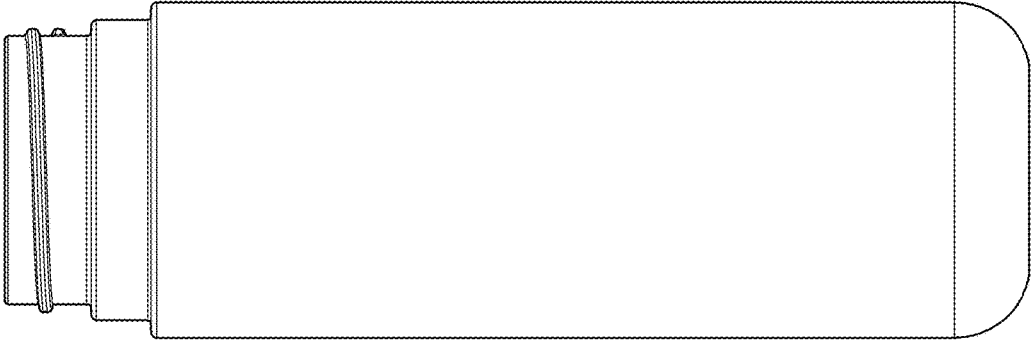


FIG.21

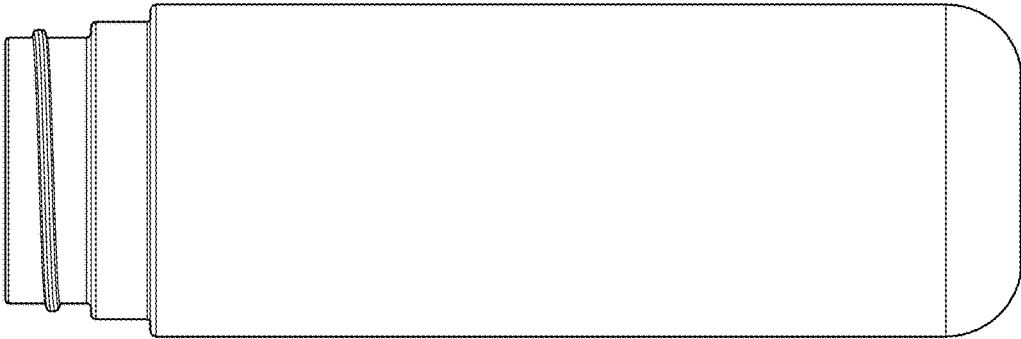


FIG. 23

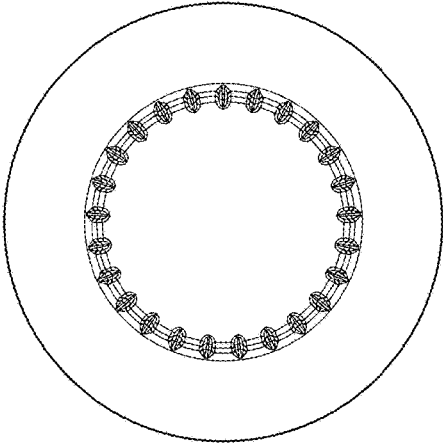


FIG. 24