

(19) World Intellectual Property
Organization
International Bureau



(43) International Publication Date
14 July 2005 (14.07.2005)

PCT

(10) International Publication Number
WO 2005/063326 A1

(51) International Patent Classification⁷: **A61M 16/06**

(21) International Application Number:
PCT/AU2004/001760

(22) International Filing Date:
15 December 2004 (15.12.2004)

(25) Filing Language: English

(26) Publication Language: English

(30) Priority Data:
60/533,229 31 December 2003 (31.12.2003) US
60/571,488 17 May 2004 (17.05.2004) US
60/588,341 16 July 2004 (16.07.2004) US
60/619,022 18 October 2004 (18.10.2004) US

(71) Applicant (for all designated States except US): **RESMED LIMITED** [AU/AU]; 97 Waterloo Road, North Ryde, New South Wales 2113 (AU).

(72) Inventors; and

(75) Inventors/Applicants (for US only): **GING, Anthony, Michael** [AU/CA]; 2745 West 2nd Avenue, Vancouver, British Columbia V6K 1K2 (CA). **WORBOYS, David,**

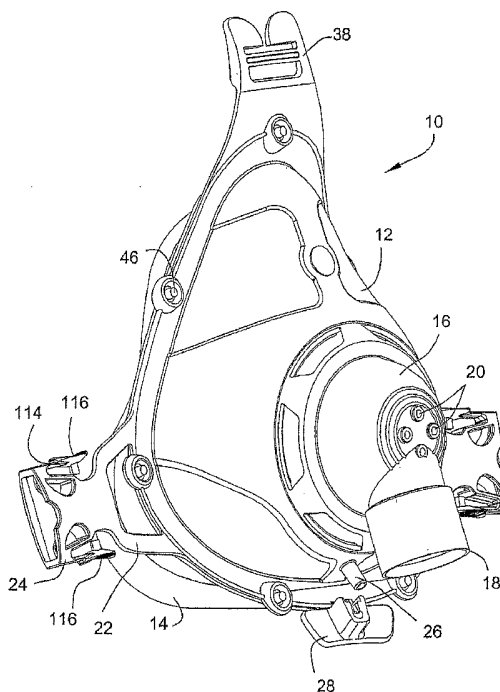
John [AU/AU]; c/o ResMed Limited, 97 Waterloo Road, North Ryde, New South Wales 2113 (AU). **SMART, Gregory, Scott** [AU/AU]; c/o ResMed Limited, 97 Waterloo Road, North Ryde, New South Wales 2113 (AU). **DANTANARAYANA, Muditha, Pradeep** [LK/AU]; c/o ResMed Limited, 97 Waterloo Road, North Ryde, New South Wales 2113 (AU). **SNOW, John, Michael** [AU/AU]; 85 Belmont Road, Mosman, New South Wales 2088 (AU). **STALLARD, Philip, Thomas** [AU/AU]; c/o ResMed Limited, 97 Waterloo Road, North Ryde, New South Wales 2113 (AU).

(74) Agents: **DAVIDSON, Geoffrey, Robert** et al.; Halford & Co., 1 Market Street, Sydney, New South Wales 2000 (AU).

(81) Designated States (unless otherwise indicated, for every kind of national protection available): AE, AG, AL, AM, AT, AU, AZ, BA, BB, BG, BR, BW, BY, BZ, CA, CH, CN, CO, CR, CU, CZ, DE, DK, DM, DZ, EC, EE, EG, ES, FI, GB, GD, GE, GH, GM, HR, HU, ID, IL, IN, IS, JP, KE, KG, KP, KR, KZ, LC, LK, LR, LS, LT, LU, LV, MA, MD, MG, MK, MN, MW, MX, MZ, NA, NI, NO, NZ, OM, PG, PH, PL, PT, RO, RU, SC, SD, SE, SG, SK, SL, SY, TJ, TM, TN, TR, TT, TZ, UA, UG, US, UZ, VC, VN, YU, ZA, ZM, ZW.

[Continued on next page]

(54) Title: MASK SYSTEM



(57) Abstract: A mask system includes a frame, cushion, cushion clip, swivel elbow, headgear and/or headgear clips that are configured for use in a clinical or hospital environment. One or more components of the mask system are configured to promote single patient use, e.g., by providing an age indicator and/or preventing disassembly and/or cleaning, etc.

WO 2005/063326 A1



(84) Designated States (*unless otherwise indicated, for every kind of regional protection available*): ARIPO (BW, GH, GM, KE, LS, MW, MZ, NA, SD, SL, SZ, TZ, UG, ZM, ZW), Eurasian (AM, AZ, BY, KG, KZ, MD, RU, TJ, TM), European (AT, BE, BG, CH, CY, CZ, DE, DK, EE, ES, FI, FR, GB, GR, HU, IE, IS, IT, LT, LU, MC, NL, PL, PT, RO, SE, SI, SK, TR), OAPI (BF, BJ, CF, CG, CI, CM, GA, GN, GQ, GW, ML, MR, NE, SN, TD, TG).

For two-letter codes and other abbreviations, refer to the "Guidance Notes on Codes and Abbreviations" appearing at the beginning of each regular issue of the PCT Gazette.

Published:

— *with international search report*

MASK SYSTEM

CROSS-REFERENCE TO APPLICATIONS

[0001] This application claims the benefit of U.S. Provisional Application Nos. 60/533,229, filed December 31, 2003, 60/571,488, filed May 17, 2004, 60/588,341, filed July 16, 2004, and 60/619,022, filed October 18, 2004, each incorporated herein by reference in its entirety.

BACKGROUND OF THE INVENTION

1. Field of the Invention

[0002] The present invention relates to a disposable mask system for use with patients, e.g., adult patients, for the treatment of obstructive sleep apnea (OSA) or the provision of non-invasive positive pressure ventilation (NIPPV) support using continuous positive airway pressure (CPAP), bi-level, or other pressure support ventilators. The mask is intended for single patient, short-term use having a life span, e.g., of about 7-14 days. Preferably, the mask is only useable for up to 7 days.

2. Description of Related Art

[0003] ResMed's Mirage® Disposable Full Face mask is formed of a frame with a double wall silicone cushion. The cushion, elbow, and/or vent components can be disassembled from the frame. While this mask performs strongly for seal and comfort, it may not display characteristics that are most amenable for hospital and clinical use, which can differ from the characteristics most suitable for home or other uses.

[0004] Another related art disposable mask is ResMed's Disposable Nasal Mask® which has a PVC bubble cushion and a styrene frame. The Image3 Disposable Full Face Mask from Respironics has a frame and a silicone cushion. Yet another full face disposable mask is the Respironics Spectrum Disposable Full Face Mask that has a single PVC cushion and a frame. The Med Series 2100 Disposable Full Face Mask has a PVC

frame and a foam cushion. Still another mask is the "Performa Trak," a single use full face mask from Respironics.

[0005] These related art masks do not provide fully adequate and/or optimum solutions for use of mask systems in a hospital or clinical environment. For example, these masks exhibit one or more properties that are typically associated with re-useable masks. Therefore, these masks can be accidentally re-used in a manner that could be dangerous to the patient, e.g., the risk of spread of germs, etc.

BRIEF SUMMARY OF THE INVENTION

[0006] One aspect of the invention is to provide a mask system which is at least partially capable of overcoming the problems of the related art.

[0007] Another aspect of the invention is to provide a disposable mask which has a useful life of either a single use or can be used over a short period of time, e.g., 7-10 days or more. Preferably, the mask can be used only up to 7 days.

[0008] Another aspect of the invention is to provide a mask which provides an indication, e.g., a visual indication, that the mask has been used once, more than once or more than the recommended number of times or period of time.

[0009] Yet another aspect of the invention is to provide a mask assembly which is difficult to disassemble without breaking, thereby discouraging multiple use and preventing removal of safety components such as an anti-asphyxia valve.

[0010] Still another aspect of the invention is to provide a mask which is disposable and/or which satisfies the needs of the clinical or hospital environment, which often differ from the needs of a mask used in a home environment.

[0011] In another aspect, the mask is designed to be fitted by a clinician or nurse.

[0012] Another aspect of the invention is to provide a low cost mask with high differentiation between disposable and reusable products, in terms of functionality, aesthetics and/or durability.

[0013] These and other aspects of the present invention are described in or apparent from the following description of preferred embodiments.

BRIEF DESCRIPTION OF THE DRAWINGS

- [0014] FIGURE 1 is a perspective view from the front left side illustrating a first preferred embodiment of the present invention;
- [0015] FIGURE 2 is a rear view thereof;
- [0016] FIGURE 3 is a front perspective exploded view of a portion of the assembly shown in FIGURE 1;
- [0017] FIGURE 4 is a rear perspective exploded view of a portion of the assembly shown in FIGURE 1;
- [0018] FIGURE 5 is a bottom view of the mask assembly shown in FIGURE 1;
- [0019] FIGURE 6 is a top view thereof;
- [0020] FIGURE 7 is a right side view thereof;
- [0021] FIGURE 8 is a perspective view of a frame according to an embodiment of the present invention;
- [0022] FIGURE 9 is a rear view thereof;
- [0023] FIGURE 10 is a top view thereof;
- [0024] FIGURE 11 is a bottom view thereof;
- [0025] FIGURE 12 is a side view thereof;
- [0026] FIGURE 12A is a perspective view of a frame according to another embodiment of the present invention;
- [0027] FIGURE 13 is a front perspective view of a cushion according to the present invention;
- [0028] FIGURE 14 is a front view thereof;
- [0029] FIGURE 15 is a rear view thereof;
- [0030] FIGURE 16 is a rear perspective view of a cushion clip according to the present invention;
- [0031] FIGURE 17 is a side view thereof;
- [0032] FIGURE 18 is a partial exploded cross-sectional view showing assembly of the frame, cushion and cushion clip;
- [0033] FIGURE 19 is an assembled partial cross-sectional view thereof;

- [0034] FIGURE 20 is a partial exploded cross-sectional perspective view like that shown in FIGURE 18;
- [0035] FIGURE 21 is an exploded perspective view of a swivel elbow assembly according to the present invention;
- [0036] FIGURE 22 is an assembled view thereof;
- [0037] FIGURE 23 is a cross-sectional view thereof;
- [0038] FIGURE 23A is an enlarged detail view of a portion of FIGURE 23;
- [0039] FIGURE 23B is a perspective and cross-sectional view of an elbow according to an embodiment of the invention;
- [0040] FIGURE 24 is a rear perspective view of a swivel elbow according to an embodiment of the present invention;
- [0041] FIGURE 25 is a front perspective view thereof;
- [0042] FIGURE 26 is a rear view thereof;
- [0043] FIGURE 27 is a bottom view thereof;
- [0044] FIGURE 28 is a side view thereof;
- [0045] FIGURE 28A illustrates a perspective view of a swivel elbow according to another embodiment of the present invention;
- [0046] FIGURES 28A-1-28A-2 illustrate views of an elbow according to still another embodiment of the present invention;
- [0047] FIGURES 28B-28C illustrate views of an elbow according to an alternative embodiment of the present invention;
- [0048] FIGURES 28D-28H illustrate views of an elbow according to yet another embodiment of the present invention;
- [0049] FIGURE 29 is a front perspective view of an anti-asphyxia valve membrane according to the present invention;
- [0050] FIGURE 30 is a front view thereof;
- [0051] FIGURE 31 is a side view thereof;
- [0052] FIGURES 31-A to 31-I illustrate a mask assembly, elbow, swivel and/or anti-asphyxia valve member in accordance with an embodiment of the present invention;

- [0053] FIGURE 32 is a front view of a headgear clip according to the present invention;
- [0054] FIGURE 33 is a perspective view thereof;
- [0055] FIGURE 34 is a rear view thereof;
- [0056] FIGURE 34A and 34B illustrate front and rear perspective views of a headgear clip according to another embodiment of the present invention;
- [0057] FIGURE 35 illustrates a perspective view of headgear according to one embodiment of the present invention;
- [0058] FIGURE 36 is a front perspective view of the headgear of FIGURE 35 in position on a human head;
- [0059] FIGURE 37 is a rear perspective view of the headgear of FIGURE 35 on a human head;
- [0060] FIGURE 38 illustrates yet another embodiment of headgear according to the present invention;
- [0061] FIGURE 39 illustrates the headgear of FIGURE 38 from front perspective view on a human head;
- [0062] FIGURE 40 illustrates the headgear of FIGURE 38 in rear perspective view on a human head;
- [0063] FIGURE 41 illustrates a perspective view of headgear according to still another embodiment of the present invention; and
- [0064] FIGURE 42 is a perspective view of the headgear of FIGURE 41 on a model patient's head.

DETAILED DESCRIPTION OF PREFERRED EMBODIMENTS

- [0065] Preferred embodiments of the present invention will be described in relation to the appended figures, in which like reference numerals refer to like parts.
- [0066] Figure 1 shows a mask assembly 10 which includes a frame 12 in the form of a shell, and a cushion 14 that is provided, e.g., attached, to the frame 12. A swivel elbow 16 is rotatably coupled or provided to the frame 12. The swivel elbow 16 includes

an inlet conduit 18 that receives pressurized breathable gas from a suitable source of pressurized air, as is known in the art. The swivel elbow 16 includes one or more apertures 20 which serve to continually wash out exhaled CO₂ gas from a breathing chamber formed by the frame 12 and the cushion 14. The frame 12 includes at least a pair of lateral outriggers 22 which support connector clip receptacles 24 designed to receive connector clips (see, e.g., Figures 32-34) associated with headgear (see, e.g., Figures 35-40). The frame 12 includes a centrally located upper extension 38 including various structure intended to interlock with a headgear strap of headgear.

[0067] Frame 12 also includes at least one port 26 that allows for the introduction of a pressure monitoring probe, or a separate gas such as oxygen (O₂) to be introduced (via a tube) into the interior of the breathing chamber. The port 26 may be suitably covered by a port cap 28 which is shown in the disconnected position in Figure 1. As described and shown below, the port cap 28 may be formed as an integral part of the cushion 14.

[0068] Figure 2 illustrates a patient's side or rear view of the mask assembly 10. The face contacting portion of the cushion 14 preferably includes a double layer, spaced wall configuration as described in U.S. Patent No. 6,513,526 assigned to ResMed Limited and incorporated herein by reference in its entirety. However, other cushion configurations such as single or triple layer cushion configurations could also be employed without departing from the spirit and scope of the present invention. In addition, the cushion can be made of silicone, foam, gel, etc., or combinations thereof.

[0069] Figure 2 also illustrates an aperture 30 which communicates the inlet conduit 18 of swivel elbow 16 to the breathing chamber. Surrounding aperture 30 is a generally circular support 32 formed as part of the frame 12. The support 32 forms a surface for an anti-asphyxia valve membrane 34 (shown in detail in Figures 29-31). As described in more detail below, the anti-asphyxia valve membrane 34 is positioned between the support 32 and the swivel elbow 16.

[0070] Figures 3 and 4 illustrate front and rear exploded views of the mask assembly 10 shown in Figure 1, without the swivel elbow 16 or its associated anti-

asphyxia valve membrane 34. As shown in Figure 3, the anti-asphyxia valve membrane 34 would be positioned adjacent circular support surface 36 of frame 12.

[0071] Frame 12 includes at least one and preferably a plurality of through holes 40 which are intended to align with complimentary through holes 42 provided on cushion 14. The cushion 14 is intended to be sandwiched between frame 12 and a cushion clip 44. The cushion clip 44 includes a corresponding number of fasteners or rods 46, e.g., provided along a flanged perimeter portion 48 of the cushion clip 44. The rods 46 are intended to align with and pass through the holes 42 and 40 of the cushion 14 and frame 12, respectively. Tips of rods 46 may be snap-fitted, melted or ultrasonically deformed so as to lock with respect to apertures 40, thereby effectively sandwiching the cushion 14 in place between the frame 12 and the cushion clip 44. Rods 46 may include enlarged head portions that are tapered to allow penetration through holes 40, 42 for assembly purposes. However, enlarged heads help prevent disassembly of the frame, clip and cushion. Therefore, the cushion 14 may be permanently sandwiched in place, i.e., it is difficult to disassemble, which may be a benefit in a hospital or clinical environment. However, the cushion could be structured to allow for selective disassembly, if desired. The cushion 14 includes a lateral perimeter flange 50 which may also be sandwiched or clamped between the frame 12 and the cushion clip 44. Figure 3 also shows that the flange 50 may provide a support surface for integral connection with port cap 28 via bridge 29. In an alternative, the frame may be provided with the rods, and the cushion clip could be provided with holes.

[0072] Figure 4 best shows an inside surface 52 of the frame 12. Provided adjacent inside surface 52 is an upstanding wall member 54 which preferably extends along the entire perimeter to define the opening of the frame 12. The wall 54 provides support for the side walls of the cushion 14 as well as the interior side walls of cushion clip 44. Figures 5-7 illustrate further assembly views of the frame 12, cushion 14 and swivel elbow 16.

[0073] Figures 8-12 illustrate further views of the frame 12 in isolation. Figure 8 shows that the frame 12 includes a notch 56 provided to facilitate passage of bridge 29

(see Figures 3, 14 and 15) from the cushion side to the frame side. The frame 12 also includes a plurality of protrusions or castellations 60, e.g., 8 castellations, for the purposes of assisting with retention of anti-asphyxia valve membrane 34 in elbow assembly (see Figures 22, 23 and 29). As shown in Figure 12, the frame 12 includes a perimeter flange 64 which defines a groove 66 by which the swivel elbow 16 is secured to the frame 12.

[0074] Figure 8 shows that the outrigger 22 includes legs 68, each of which includes a first end attached or otherwise provided to main portion of the frame 12, and a second end attached to or otherwise provided to the connector clip receptacle 24. Preferably, the outriggers are formed as an integral piece with frame 12 and outrigger 24. In addition, the outriggers 22, e.g., legs 68, may bend, and/or flex about an axis 72, as indicated in Figures 8 and 9. Legs 68 can also be structured so as to pivot in a hinge-like manner. The provision of this type of movement allows for certain benefits, e.g., headgear strap self-tensioning and/or age/usage indication, more fully described below. Figures 10-12 show top, bottom and side views of the frame 12, respectively. Figures 10 and 11 have bidirectional arrows which schematically indicate the bending, pivoting and/or flexing of legs 68 about axis 72.

[0075] Figure 12A illustrates a perspective view of an alternative embodiment of a frame 12'. The frame in Figure 12A is very similar to the frame shown in Figure 8, the only main difference being that frame 12' includes 16 instead of 8 castellations 60. The increased number of castellations helps to reduce leak between the elbows and anti-asphyxia valve membrane. However, the number of castellations may vary, and may, for example, include any number above or below 16.

[0076] In another embodiment, one or both ends of legs 68 may include a portion 70 about which the arm may pivot, bend and/or flex. This would allow the mask to assume various configurations, e.g., by moving the outrigger vertically up or down with respect to the main body of the frame, as schematically illustrated by arrows in Figure 9. Preferably, the legs 68 should be parallel to one another to allow this adjustment, even though the legs are seen as non-parallel (i.e., trapezoidal) in Figures 8 and 9.

[0077] Figures 13 through 15 illustrate various views of the cushion 14 in isolation, while Figures 16 and 17 illustrate various views of the cushion clip 44 in isolation.

[0078] Figure 18 illustrates a partial cross-sectional and exploded view to highlight the connection between frame 12, cushion 14, and cushion clip 44. Figure 19 is an assembled view of the components illustrated in Figure 18, while Figure 20 is a perspective version of the exploded view shown in Figure 18. As seen in Figures 18-20, frame 12 includes a bead-like member 13, which helps to establish and ensure a reliable seal between frame 12 and cushion 14. Figure 19 shows bead member 13 embedded within cushion 14, although cushion 14 could also include a groove or aperture to receive bead member 13. Bead member 13 can also be seen in Figure 4.

[0079] Figure 21 illustrates an exploded view of a swivel elbow assembly 73, including swivel elbow 16, anti-asphyxia valve membrane 34 and swivel joint 76. Swivel joint 76 includes first end 78 provided to inlet conduit 18 and second end 80 provided to an air delivery tube in communication with a source of pressurized breathable gas.

[0080] Figure 22 illustrates an assembled view of the components shown in Figure 21, while Figure 23 shows a cross-sectional view of the assembled swivel elbow assembly. As shown in Figure 23, the anti-asphyxia valve membrane 34 is preferably made of an elastomeric material. The swivel elbow 16 includes a generally cylindrical inner tube 82. The cylindrical tube 82 may provide a baffle between incoming air delivered via swivel joint 76 and vented air, as indicated by the directional arrows in Figure 23. Figure 23A shows an enlarged detailed view of a portion of the assembly shown in Figure 23, while Figure 23B is a partial cross-sectional view illustrating the elbow as connected to frame with member 34 in position.

[0081] The anti-asphyxia valve membrane 34 includes a main body 84 which seals and/or interlocks, e.g., via friction, with upstanding wall member 86 formed as part of swivel elbow 16. Anti-asphyxia valve membrane 34 also includes an aperture 88 (Figure 21) which includes an inner shoulder 90 (Figure 23) for sealing against the outer

surface of cylindrical tube 82 of swivel elbow 16. The anti-asphyxia valve membrane 34 includes an outer shoulder 94 that prevents over-insertion of the membrane 34 within the swivel elbow 16 and allows for a snug fit with upstanding wall member 86 of swivel elbow 16.

[0082] Figure 24 illustrates a perspective view of swivel elbow 16 as seen from the patient's side. Air is delivered via inlet conduit 18 into dome portion 98 of swivel elbow 16. The swivel elbow includes a plurality of friction enhancing members 100 designed to ensure that the anti-asphyxia valve membrane 34 stays frictionally engaged with the swivel elbow 16.

[0083] The swivel elbow 16 also includes a plurality of slots or apertures 102 adjacent to which a plurality of tab members 104 are positioned, as seen in Figures 24 and 25. The tab members 104 are inclined (Figure 24) so that they slightly expand or cam-out upon engaging flange 64 as shown in Figure 12, until overcoming the flange 64 and seating the tab members 104 within groove or undercut 66, at which point the parts snap-fit to establish a connection. The provision of apertures 102 helps to weaken the swivel elbow 16 such that upon an attempt to disassemble the swivel elbow from the mask, the portion supporting the tab members or the tab members themselves deform and/or break away from the swivel elbow 16, thereby rendering the mask unusable, in which case a new mask would be required for the patient. However, the selective weakening does not adversely impact the performance of the mask. Apertures 102 may also act as windows for breathing to atmosphere when the anti-asphyxia valve member is de-activated.

[0084] Figures 26 through 28 illustrate various views of the swivel elbow 16 in isolation, while Figures 29 through 31 illustrate various views of the anti-asphyxia valve member 34 in isolation.

[0085] Figure 28A illustrates another embodiment of the invention, including a swivel elbow 16' which is similar to elbow 16 shown in Figure 22. One of the main differences is that elbow 16' includes a single aperture 20' provided for washout of

exhaled CO₂ gas. Aperture 20' may be fitted with a duck bill valve 23, which is known in the art.

[0086] Figures 28A-1 and 28A-2 illustrate an elbow according to a slight modification, in which the aperture 20" is raised and a valve member 23' is attached thereto.

[0087] In the embodiments of Figure 28A and Figs. 28A-1 and 28A-2, members 23, 23' constitute valve members. In another embodiment, members 23, 23' could constitute plugs that selectively seal the aperture. When the plug is in place, the aperture is sealed and the elbow is non-vented. When the plug is removed, the aperture is exposed, thereby serving as an access port to receive a tube, e.g., naso-gastric in nature.

[0088] Figures 28B and 28C illustrate a swivel elbow 200 according to yet another embodiment of the present invention. Elbow 200 is intended to include an anti-asphyxia valve membrane (not shown) as described above. As shown in Figure 28A, elbow 200 includes a dome portion 202 and a cylindrical center tube member 204. Upstanding wall 206 and tube member 204 are structured to support anti-asphyxia valve member. Dome is provided with a plurality of slots or apertures 208 and tab members 209, each of which function as described herein. Provided to a peak portion of the dome 202 is a tube 210 having a first end 212 that extends through central aperture of anti-asphyxia valve membrane. Tube 210 includes a second end (not visible) which is integrally connected or provided to the peak of dome 202. As such, dome will include only a single aperture, like that shown in Figure 28A.

[0089] As shown in Figure 28C, tube member 204 includes an aperture 214 which is provided at a base of tube member 204. Aperture 214 in this example is eye-shaped, although it could have any shape.

[0090] Figures 28D-28H illustrate an elbow 300 according to another embodiment of the present invention, which is similar to the embodiment of Figures 28B and 28C. As shown in Figures 28D and 28E, dome portion 302 includes a plurality of concentric, raised rings 303. As shown in Figures 28E-28H, center tube portion 304 extends just outside dome portion 302, but ends before reaching the lower end of the

elbow housing which helps with CO₂ gas washout. An inner tube 310 extends from the top of the dome portion 302 and past the end of the elbow housing. The top 311 of the inner tube 310 is profiled, as shown in Figures 28E-28G. The opening 313 leading to atmosphere is of smaller cross-section than the central portion 315 of tube 310. A transition 317 is formed between the opening 313 and central portion 315. Transition, e.g., may take the form of a tapered conical section. Like the embodiment of Figures 28B and 28C, central tube 302 includes an aperture 314 to allow the flow of gas from the air delivery conduit to the inside of tube 302, which helps to lower impedance.

[0091] Figures 31-A to 31-I illustrate a mask assembly 10 according to another embodiment of the present invention. Figure 31-A is a front view of the mask assembly 10, while Figure 31-B is a side view of mask assembly 10. The illustrated reference numbers denote components or parts that have been described in relation to one or more embodiments described above, e.g., Figure 1.

[0092] Mask assembly 10 includes a swivel elbow 16' that is more specifically discussed in relation to Figures 31-C - 31-F. Elbow 16' includes an inlet conduit 18 (Figure 31F) having a hose end 18a with a plurality of resiliently deformable tabs 18b that are structured to allow selective attachment to and detachment from a swivel 76. Each tab 18b includes a radially extending protrusion 18c that locks in place within an interior of groove 76a of swivel 76. Figure 31-E shows the assembled position. The elbow 16 is preferably made from a polyester, e.g., natural POCAN®, a Bayer product, although other materials are possible. The swivel 76 may be made of clear polycarbonate, although other materials are possible. This assembly allows for removal of the hose (not shown) without compromising the integrity of the frame. The internal geometry and functioning of the dome portion of elbow 16' is similar to or the same as that described above or in relation to Figures 28D-28H. Elbow 16' may be used in conjunction with anti-asphyxia valve member 34', as shown in Figures 31-G to 31-I, whose function is similar to the member 34 described in relation to Figures 29-31.

[0093] Figure 32 illustrates a headgear clip 106 according to one embodiment of the present invention. The headgear clip 106 includes a first end 108 for engagement

with headgear clip receptacle 24 shown in Figures 1 and 2 and a second end 110 for engagement with a headgear strap of headgear assembly. The first end 108 includes first and second arms 112 which may be flexed toward one another in the plane of the paper so as to squeeze into receptacle 24. The receptacle 24 includes an appropriate protrusion or catch 114 (Figure 1) in a locked position. To unlock the arms 112 from the catch 114, each receptacle 24 includes a pair of opposed arm members 116 which may be pressed toward one another to thereby compress the arms 112 towards one another, thereby placing the headgear clip 106 in a position such that it can be removed from the outrigger 22 and the receptacle 24. The geometry of clips 106 allows them to spring out of receptacles 24 when opposing arms 116 of receptacle are pressed. Each headgear clip 106 includes a central leg 118 including a groove 120 which is designed to receive a protrusion 122, shown in Figure 2. Figure 33 is a front perspective view of the headgear clip 106, while Figure 34 is a rear view of the headgear clip 106. Of course, different headgear clip and clip receptacles can be used instead.

[0094] Figures 34A and 34B illustrate a headgear clip 106' which is similar to the clip 106 shown in Figures 32-34. Several changes have been made to reduce manufacturing costs, facilitate manufacture, and/or enhance performance.

[0095] Figure 35 illustrates a first embodiment of headgear 124 according to the present invention. Headgear 124 may be manufactured by starting with a substantially flat piece of appropriate material, such as polyester loop material, Breathoprene®, leather, cloth, plastic, etc., and then cutting, scoring or weakening the headgear along predetermined cut lines 126 whereby the headgear 124 may be repositioned to approximate the shape of the patient's head. The headgear 124 may include side straps 128 and front strap 130. Side straps 28 may be created with a single slit 126. Also, in this example, main body 127 of strap has an appropriate amount of slits, e.g., 2-5 slits or more, to optimize coverage and stability of the headgear 124 or patient's head. Generally speaking, each of slits 126 expand in use to form a plurality of open spaces 126', when the headgear is placed on the patient's head.

[0096] The positioning of the headgear 124, including the side straps 128 and front strap 130, in relation to the mask assembly 10 and the patient's head is shown in Figure 36. Figure 37 illustrates a rear perspective view of the patient's head with the headgear 124 provided thereto. This position cups the occiput of the head to thereby create stability. As can be seen from Figures 36 and 37, the headgear includes a plurality of fold lines 132 which are created due to repositioning of the headgear 124 from the position shown in Figure 35 to the position shown in Figures 36 and 37. These predetermined fold lines 132 are acceptable for use in a clinical or hospital environment. However, they do not adversely affect the performance of the headgear 124.

[0097] Figure 38 illustrates a second embodiment of headgear 134 according to the present invention. Headgear 134 includes side straps 136 and front strap 138. Again, the headgear 134 may be manufactured by providing a flat piece of material appropriate for use as headgear on a patient. Each side strap 136 is created by cutting the material along a predetermined cut line 140. The headgear 134 may include a plurality of additional cut lines 142, which creates a net-like configuration on the patient's head, as shown in Figures 39 and 40. Each cut line 142 forms an open area 142', to effectively cup the patient's head. Open areas 142' provide for ventilation of the patient's head. Open areas 142' may be in the shape of a polygon, e.g., a triangle or a diamond. Of course, other headgear arrangement may also be used to support mask assembly on the patient's head.

[0098] Figure 41 illustrates headgear 400 according to another embodiment of the present invention. Headgear includes side straps 402, 404 and a top strap 406, such that it can be used with the mask shown in Figure 1. Headgear 400 includes cutouts 408 which help with ventilation and ensure that the headgear is fully retained. Cutouts 408 help headgear to conform to the patient's head. Headgear 400 includes a unidirectional stretch back piece 410. Cutouts 408 may be separated by a divider 409 which may be detachably connected, e.g., via stitching and/or Velcro®, etc. Figure 42 shows the headgear in position on a model patient's head.

DISPOSABLE CHARACTERISTICS

[0099] The mask assembly 10 is intended to be used by a single patient for a limited life span and not reused on further patients. This removes the time and expense of cleaning and reassembling the product. In addition, it removes the difficulties found when components can be lost or assembled incorrectly. For safety reasons, and to avoid cross-infection, the product should have both the function and/or aesthetics of a disposable product in order to alert the user and discourage extended use or use on more than one patient.

[00100] The mask assembly has been configured so as to satisfy needs of a clinical or hospital staff. This has been achieved while retaining mask performance desired by patients, which performance includes comfort, minimized leaks, etc., and therefore facilitates patient compliance with treatment.

[00101] The mask appears to be disposable from the feeling that it is less durable than a reusable mask. The mask is purposely prone to distortion through handling because it is made from materials that have an expected service life, e.g., of about 7-14 days, and preferably no more than 7 days. In addition, the mask has the characteristic of displaying its "age", e.g., via stress whitening (described in more detail below), and therefore provides an indication to users of the mask system's aging and approaching end-of-life. This aging characteristic is in contrast to prior art disposable masks that typically, without warning, fail in use, for example, when they are stressed while undergoing the procedures of disassembly, washing, assembly or fitting.

[00102] The mask system provides a warning to users of approaching end-of-life. In addition, the aging characteristic is intended to serve the safety function of dissuading cross-patient use - the second intended user is disinclined to select or don a used mask. In this way, the aging characteristic facilitates the control of cross-infection and is therefore particularly useful in a clinical multi-patient environment.

FRAME

[00103] The frame may be formed by polypropylene, polyethylene, PETE, etc., and may be manufactured using a molding process, e.g., injection molding. Preferably,

the frame is made of polypropylene with a thin walled section (approximately 0.25-1mm, preferably about 0.5 mm) that gives it the characteristic of being more flexible than typical multi-use mask frames. Flexibility is desirable because it gives the feeling of being less durable.

[00104] In the present embodiment, aging is achieved through the exhibition of "stress whitening." Stress whitening occurs as a result of excessive or repeated deformation of polypropylene and other materials such as polyethylene or PETE. Such excessive and/or repeated deformation will eventually cause the frame material to turn white, ergo the term "stress whitening."

[00105] The present embodiment incorporates the characteristic to display stress whitening through an appropriate combination of design and/or components. For example, the wall thickness and stress loading can be designed so as to control stress whitening to occur in those portions of the mask which are most visible to the clinician. For example, the outriggers 22, e.g., legs 68, shown in Figure 8 may be designed such that they will deform when the headgear is fitted and as such they will exhibit stress whitening with use. As described above, the outriggers 22 include legs 68 which are intended to bend, flex or pivot about axis 72, as shown in Figures 8 and 9. Repeated and/or excessive such movement can cause stress whitening. In other embodiments, stress whitening can be used to form a readable text message (e.g., "replace mask" or "discard") which appears only after stress whitening has occurred. Of course, the mask could be designed such that stress whitening occurs in other locations.

[00106] Stress whitening will give the visual indication that the mask system has been used. If the mask frame is configured so that the development of stress whitening (e.g., increase in intensity or area displaying stress whitening, or both) occurs as a result of repeated deformation during use, then the mask will also provide a visual indication of aging and approaching end-of-life.

[00107] The development of stress whitening will also serve to provide a safety warning to users. By warning of eminent end-of-life, it thereby cautions against use of the mask where it can be expected to fail in use.

[00108] Although the mask may exhibit some degree of stress whitening, stress whitening alone will not cause breakage, thereby causing a catastrophic failure. By contrast, the state of the prior art is that masks exhibit a tendency toward unexpected catastrophic failure, e.g., a component snapping, without warning.

[00109] A complimentary but independent feature further enhances the frame's disposable characteristic. Some and preferably all components are configured to assemble with a one-way snap action. Once the mask frame/vent and anti-asphyxia valve and cushion components are assembled, they cannot be disassembled without breakage occurring. Further, disposable characteristics of a mask system are that the mask cannot effectively be cleaned as it cannot be disassembled which is a further indication that it is disposable, it is low cost, it has white headgear that is likely to show dirt, grime and wear, and/or it is appropriately labeled.

[00110] The frame may include a headgear strap with a self-tensioning feature. This will facilitate a clinical party (i.e., non-patient) fitting of the mask without assistance of the patient. The flexible legs 68 that extend from the frame include attachment points for the lower two headgear straps. The flexibility allows for the legs to fold towards the back of the patient's head and thereby provide extra length to the headgear straps/flexible arms combination when fitting the mask system, thus allowing for the headgear to be located over the patient's head. Then, when the mask and headgear are in place, the legs spring forward, i.e., away from the patient's face, thereby placing some tension to the headgear mask assembly. This helps to avoid the need for cooperation of the patient.

CUSHION

[00111] The cushion 14 disclosed herein may adopt at least some of the same geometry as is available in the current Mirage® Full Face mask, which includes an upper membrane and an underlying profile. See U.S. Patent No. 6,513,526 incorporated herein by reference in its entirety.

[00112] The cushion 14 is attached to the frame 12 by sandwiching the cushion between the cushion clip 44 and the frame 12. However, the cushion 14 may be attached to the frame 12 using mechanical (e.g., tongue and groove) and/or adhesive techniques.

[00113] In an alternative assembly, the cushion can be molded directly to the frame, e.g., via over-molding, with the frame being made of polypropylene and the cushion being made of TPE.

ANTI-ASPHYXIA AND/OR BACK FLOW REDUCTION VALVE

[00114] The anti-asphyxia valve situated in the swivel elbow 16 functions as both an anti-asphyxia valve and a back flow reduction device. The valve is permanently assembled from three components - the elbow, the valve membrane 34 and the frame 12. To assemble, the membrane 34 is an interference fit with the elbow 16 (see, e.g., Figures 23, 23A, 23B) which is then a permanent snap fit to the frame 12. The snap fit includes an undercut on the frame, e.g., groove 66 in Figure 12, which connects with six tab members 104, for example, on the elbow 16.

[00115] When the flow generator is switched off, or in the case of malfunction such as a power cut, the valve membrane 34 sits in the original or unextended position. The edge of the membrane forms a seal against the inner tube 82 of the elbow 16 and thus prevents flow from the mask reaching the inlet conduit 18 and consequently the flow generator. Thus, the valve prevents gas flow back to the flow generator which is particularly useful in circumstances where O₂ is ported into the mask. Any O₂ that is supplied to the mask cannot reach the flow generator, i.e., the valve acts as an O₂ divertor valve (ODV) and removes a potential fire hazard. In addition, see U.S. Patent Application No. 10/433,980 assigned to ResMed Limited and incorporated by reference in its entirety.

[00116] In the unpressurized state, air reaches the mask through the six slots 102 (Figures 23B, 24 and 25) in the elbow 16 which connects with the circular inlet in the frame. Ambient air is channeled between the lower surface of valve member 34 and surface 36 (Figure 3) of frame 12. Thus, the valve is also acting as an anti-asphyxia device. This embodiment has an advantage over ResMed's anti-asphyxia valve mentioned above in that it closes the flow to the inlet conduit 18. This prevents air from be rebreathed from the inlet conduit 18.

[00117] When the flow generator is switched on and pressure is applied, the membrane 34 extends from its original position and forms a seal against the circular inlet (e.g., surface 36 in Figure 3) of the frame 12. This pressurized air from the inlet conduit 18 can flow around the elbow inner tube 82 and directly through the circular inlet of the frame. The inner shoulder 90 may separate from the end of tube 82, as shown in phantom in Figure 23A. In this position, the valve member is configured such that it may provide an audible noise, e.g., a whistle. This may provide comfort or a positive feedback signal to the patient/clinician that the device is assembled properly and/or that pressurized gas is being properly channeled. The audible signal, e.g., whistle, can be created by vibrations in a manner similar to that created when playing the reed of a musical instrument. Alternatively, a small gap may be designed to create the whistle effect.

[00118] This design achieves a lower profile elbow, which is desirable both for aesthetic reasons and it improves the stability of the mask. Another factor to consider when designing the elbow is the entry impedance of the mask. It is desirable to minimize impedance in order to prevent pressure swings occurring during breaths.

[00119] The lower profile elbow is achieved by a number of factors. Firstly, the elbow acts as the housing for the membrane and the valve is placed at the interface of the elbow in the frame. This reduces the number of components that are required (and associated manufacturing costs) as well as removing the bulk of a further interface. Secondly, the inlet conduit 18 is at an angle from the mask of greater than 90°, e.g., 100°-120°. Thirdly, the diameter of the inlet cavity has been increased. This increases the cross-sectional area presented to the inlet flow (and thus reduces the entry impedance) for a given elbow inlet angle.

[00120] The valve is physically larger than the existing ResMed anti-asphyxia valve mentioned above to achieve a reduced impedance in the elbow compared to the currently available ODV.

MASK VENT

[00121] The mask vent is incorporated in the elbow. Existing ResMed full face masks have their vents incorporated in the mask frame.

[00122] Inadvertent leak is virtually zero due to the configuration of the vent and anti-asphyxia valve. This performance is achieved partly by configuring the anti-asphyxia valve to include a relatively soft part, e.g., membrane 34 made, e.g., of silicone, to seal between the frame and the swivel elbow.

[00123] When a vented mask is adopted to be used with a ventilator there is a requirement to calibrate the vent. This process typically requires blocking of all the pathways to atmosphere so that the path to atmosphere occurring at the vent may be isolated and thereby characterized.

[00124] By putting the vent in the elbow it is relatively easy to block the orifice joining the mask chamber and the elbow downstream of the vent so as to achieve the required isolation. This configuration avoids the difficult to perform blocking of the large path to atmosphere that occurs at the mask aperture, i.e., the mask chamber entry point which receives the patient's face. A plug may be used to block the orifice between the elbow and the mask chamber, but it may be also easily achieved in the clinical setting by placing a finger over the orifice.

[00125] This is an advantage in a situation as compared to the prior art, which includes three sizes of frames with a vent in each frame, thereby requiring different tools for each frame/vent for calibration. This embodiment of the invention simply has a single elbow to calibrate for flow, independent of the mask frame size.

[00126] The anti-asphyxia valve may be adopted for use in a multiple use full face mask as it is made from silicone where it will be robust, washable and capable of reassembly. The anti-asphyxia valve is then a common part, requiring less inventory and there will be no need to develop a new anti-asphyxia valve for a new face mask.

FRAME PORT AND PORT CAP

[00127] The frame port cap is configured to meet clinical needs. The port cap is integrated into the cushion configuration, which allows the port cap to be formed at the time of cushion manufacture, thereby eliminating the need for separate manufacturing. This allows for a one molding operation to make the cushion and mask components. It also allows the port cap to pass through manufacturing and distribution chain as one component with the cushion. This simplifies handling and inventory logistics, and reduces manufacturing and warehousing costs.

[00128] The location of the port cap in relation to the cushion are such that when the cushion is attached to the frame, the port cap is conveniently positioned to be attached to the frame port.

[00129] These features are particularly welcome in the clinical setting where there is need to frequently attach and detach a port cap (e.g., when attaching or detaching lines to the frame port or for the measurement of treatment pressure, servo control of flow generator or delivering treatment gas such as O₂). With the port caps attached to the cushion it is always conveniently available to be attached to the frame port.

[00130] In addition, the port cap has one or more large grip wings to facilitate convenient manipulation. A problem identified by the inventors is that the typical small port caps supplied with prior art masks are an annoyance to the regular clinical user because their regular manipulation often leads to the breaking of finger nails. Grip wings may be supplied for a group of port caps or individually associated with each port cap.

[00131] Preferably, the port and port cap are located at the bottom of the mask so as to avoid interference with other components of the mask assembly, as described in U.S. Patent No. 6,439,230, assigned to ResMed Limited and incorporated herein by reference in its entirety. Of course, the port and port cap could be located in other convenient positions around the mask frame. In addition, multiple ports and caps could be provided to the same mask.

HEADGEAR

[00132] The headgear performs in a manner that contributes to the systems aging characteristic. This performance is achieved by use of material that gives a display of its accumulation of grime, i.e., soiling. The chosen material accumulates and displays its accumulation of grime, e.g., by visual and tactile signals. Preferably, the headgear when first brought into service is generally white or other a light shade of color.

[00133] In addition to the objective visual signal, the aging characteristic achieved through the perception of soiling will provide a useful psychological signal. Potential users will not want to don a seriously soiled headgear while a clinical staff will be prompted to choose a fresh mask system for patients especially when fitting a patient new to the mask.

[00134] Grime may be attributable to skin, sweat, oils, facial secretions, etc. The aging characteristic may be incorporated into the headgear and/or mask frame in such a way that the headgear or mask frame exhibits age due to exposure with such sources of grime. In other words, grime may provide a visual indication on the headgear frame to signal the clinician that it is time to replace the mask system.

[00135] In another alternative, the aging characteristic can be provided with headgear which frays or otherwise decomposes after repeated use beyond the nominal set limits.

[00136] The headgear strap configurations allow for more consistent location of straps under the patient's ear and thereby avoid the annoying contact of the strap with the lower portion of ear.

[00137] Headgear may be configured from a die cut side piece, e.g., a laminated material which in its unassembled form is shaped to minimize waste and thus reduce costs/control. The waffle pattern, when expanded, will allow for expansion and correct placement on the head. This design achieves a three-point fitting configuration. A two-dimensional piece of material is used to achieve a three-point headgear which achieves the performance of a four or five-point headgear. This allows for placement of the top strap to follow a line which is low on the ears and resembles what is achievable with a

four strap headgear, which allows for desirable distribution of forces but with the convenience of one top strap.

HEADGEAR CLIP

[00138] The headgear clip mechanism includes a housing which incorporates release tabs and that is formed as part of the frame. A headgear clip is spring-fit into the receptacle on one side and acts as an attachment point for the headgear on the other side. The headgear attachment side has two slots. The first slot 111 (Figures 32-34), closest to the mask, is a fully formed slot through which the headgear is threaded. The second slot 113, closest to the headgear has large shaped tabs 115 formed on one side, between which a gap G exists. The gap G and the tapered shape of the tabs allows the headgear to be connected through the second slot by pulling down through the tabs. This assembly technique is much simpler than threading.

[00139] Further benefits of the clip design are that the clip is very large which makes it easier for manipulation. The tabs 116 (Figure 1) to release the clip are operated from the top and bottom which facilitates the user configuration. Further, the tabs 116 form part of the frame, rather than part of the clip. Therefore, the tabs do not slide with the clip which makes single handed operation easier.

[00140] The headgear clip may include a ladder lock and lead-in design. The headgear clip may serve as a quick release mechanism, i.e., the sprung release of the clip is a quick release mechanism. It has an exaggerated tactile finger tab to make it easier to find should there be a need for rapid response quick release.

[00141] The headgear clip allows for quick manual assembly which serves both as a manufacturing aid and a benefit to customers as it allows for a presentation of a fully assembled product and benefits a clinical setting as it allows for quick reassembly when required.

SUMMARY – GENERAL EFFECTS OF PREFERRED EMBODIMENTS

[00142] Hospital and fully featured hospital use is characterized by several factors: single patient use, clinician requirements, and/or a desirability to discourage reuse.

[00143] Ease of fitting may be achieved via a headgear spring/outrigger design. Ease of assembly prevents incorrect assembly and protects from interference and tampering. Disassembly is prevented between the cushion and frame since they are permanently connected. The elbow is snapped to the frame via a one-way snap, which cannot be disconnected without destroying or breaking the elbow and/or frame. The ports cap is formed as an integral portion of the cushion, thereby preventing its loss or detachment.

[00144] The mask is designed to discourage reuse because there is no method of efficient cleaning that is possible as it is difficult to clean most surfaces and there is no access to the anti-asphyxia valve. Moreover, the mask displays evidence of use, e.g., via stress whitening and distortion under force. Stress whitening may be achieved by some combination of material, wall section dimensions, geometric form and/or use of a yielding flexible part. The materials may include polypropylene, polyethylene or PETE, and may be made by molding, such as injection molding or they may be vacuum formed. The stress whitening may be provided via the outriggers although the top support of the frame, the forehead support, port cap, etc. may also be used to exhibit stress whitening. Moreover, a living hinge could also be used to display evidence of use.

[00145] Other alternatives to stress whitening include snapping via a one-way connection, to thereby prevent or inhibit reuse. Other possible indicators include exposure to air, O₂ or grime, exposure to condensation (moisture indicators), CO₂ detectors, etc.

[00146] The mask frame is intended to look disposable and non-durable via one or more of the following criteria: material choice, color (headgear is white, frame could also be white). Headgear could be cardboard with a plastic interior, material thickness, simple construction and/or an exposed construction method. The mask feels disposable,

e.g., the frame is flexible and will deform with predetermined and/or repeated application of force.

[00147] The port and cap structure is advantageous since it is an integral component with the cushion, and cannot come apart from the assembly. Therefore, the port cap cannot be lost since it is attached to the cushion. This allows for lower manufacturing cost as the cushion and cap are one component rather than two. This also prevents cross-patient use.

[00148] The port cap includes one or more large grip tabs, which are easier to operate, particularly for clinicians. The large grip tabs allow for easy location, and do not cause breakage of fingernails. The grip tabs are visible, and show whether they are on or off, and their operation is obvious to inexperienced users, thereby avoiding the error of cap being left off.

[00149] The port cap is self-locating, meaning that the cap stays close to the port when removed, but requires little dexterity to place the port cap back onto the port, and does not require visual affirmation since affirmation can be provided via tactile means.

[00150] The port cap is positioned at the bottom of the frame, which is near the nares, thereby providing an advantage for the supply of oxygen. The port cap is not susceptible to being disturbed by movement of the patient's head. The port cap allows an air inlet tube and swivel to rotate freely. The most common position of the air inlet tube is always away from the bottom, and the smaller tubes can be easily routed along the tube as commonly occurs.

[00151] Alternative embodiments include a living hinge cap molded from the frame. This had the advantage of displaying evidence of use, e.g., stress whitening.

[00152] In still further embodiments, a barbed head may be pulled through the frame or cushion wall, with the barbed head sealing against the frame. The port cap can be molded with a thin strap directly to either the cushion or the frame. The port cap may be sandwiched between the cushion and frame, which decreases the chances that the port cap can be lost. The port cap can be co-molded with the frame. The port cap can be molded integrally with the anti-asphyxia valve or the vent or any elastomeric component.

The port cap can be purposely made to break off with use to display hospital use, to thereby convey the disposable nature of the mask. Alternatively, the port cap may develop a cut end with overuse.

[00153] The above described self-tensioning feature facilitates fitting of the mask assembly to the patient. The self-tensioning spring provides elasticity when required, e.g., when initially taking the headgear over the head. This allows a larger degree of opening when fitting. In addition, it could be used with non-elastic headgear, and is particularly suitable for a third party/clinician fitting.

[00154] The self-tensioning aspect provides a spring to give some tension when initially fitted before tightening the straps. This prevents the straps from simply flopping and prevents the tangling of straps.

[00155] The self-tensioning aspect provides a visual indication that straps are not tight or tensioned. In a further embodiment, a tension indicator may be provided, which displays the amount of tension either by angle (this could be whilst on the patient) or with permanent deformation for clinical evaluation after patient use.

[00156] The self-tensioning aspect keeps the headgear from tangling away from the patient, and may include broad attachment points, which maintain strap alignment and does not twist.

[00157] The self-tensioning aspect also may display evidence of use, e.g., via stress whitening upon use. Evidence of use may also be demonstrated via use of various combinations of material, thickness and geometric form. The outriggers may also creep with use to a point at which it does not regain form after patient use.

[00158] In alternative embodiments, the outriggers could be used on reusable masks. The headgear clips can be snapped into use under certain tension. This has an advantage of maintaining form and a larger degree of opening but does not act as a spring. This may give a strong indication of use by not maintaining form after first use, and encourage the product to be thrown away after single patient use.

[00159] The outrigger assembly may include a living hinge, which may be advantageous from the aspect of keeping form in larger degree of opening but does not

act as a spring. This would give a strong indication of use by not keeping form after first use, and encourage the product to be thrown away after single patient use. This would show use at the hinge point.

[00160] In other alternatives, a self-tensioning spring could be attached to headgear rather than the frame. In addition, a tension indicator may display the amount of tension either by angle, whilst on the patient, or with permanent deformation for clinical evaluation after patient use. The hinge could be part of a cushion or a captive part of the cushion frame interface rather than part of the frame. The hinge could be incorporated into the designs of other existing disposable and reusable masks.

[00161] Headgear according to the present embodiments include several features and/or advantages. For example, the headgear is manufactured using a strip design, which is the lowest volume for manufacture, meaning low wasted or inefficient use of materials. The design expands from a one-dimensional strip in manufacture to a three-dimensional cup in use.

[00162] The process for making the headgear can be from a single stamp or slit within the perimeter of the strip. The headgear need not cover much of the head, is cool and is unobtrusive. The headgear achieves a simple yet stable design. Different colors can be provided on each side of the material for a visual clue as to the part which is facing towards and away from the patient, which allows for ease of assembly and non-tangling of the strap components.

[00163] Alternative materials for the headgear include foam, silicone and/or breathable materials. The material can be elastic or non-elastic, of varying stiffnesses in different directions. Further, separate strips can be joined with varying stiffnesses. This will allow fine tuning of the elasticity of individual straps of the headgear. Various stiffnesses can also be achieved by sticking VELCRO® tapes over part of the headgear or by providing cross-stitching, etc. The headgear can also be manufactured by forming a number of individual components, laying them next to each other and then joining them via stitching, gluing, etc.

[00164] While the invention has been described in connection with what is presently considered to be the most practical and preferred embodiments, it is to be understood that the invention is not to be limited to the disclosed embodiments, but on the contrary, is intended to cover various modifications and equivalent arrangements included within the spirit and scope of the invention.

CLAIMS

1. A mask assembly for a patient comprising:
a frame having a lateral flange portion with at least a first hole
therethrough;
a cushion having a lateral flange portion with at least a second hole
therethrough; and
a cushion clip having a lateral flange with at least one rod that passes
through the first and second holes, the rod having a distal end that is secured to the frame
when the rod passes through the first and second holes, to thereby sandwich the cushion
flange between the flanges of the frame and the cushion clip.
2. A mask assembly according to claim 1, wherein the distal end of the rod
includes an enlarged head portion which forms a one-way snap with the frame.
3. A mask assembly according to any one of claims 1-2, wherein the frame
flange includes at least one bead intended to form a seal with the flange of the cushion
upon assembly of the frame, cushion and cushion clip.
4. A mask assembly according to any one of claims 1-3, wherein the frame
includes an upstanding wall member which provides a support for at least a portion of
side walls of the cushion.
5. A mask assembly according to any one of claims 1-4, wherein the frame
includes lateral outriggers each including at least one leg provided to the frame and a
receptacle configured to receive a respective headgear strap portion.
6. A mask assembly according to claim 5, wherein each said leg is made of a
resilient, flexible material which allows the outriggers to move towards and away from

the patient for self-tensioning of each headgear strap portion upon donning of the mask assembly by the patient.

7. A mask assembly according to any one of claims 1-6, further comprising a usage indicator provided to at least one of the frame, cushion and cushion clip.

8. A mask assembly according to claim 7, wherein the usage indicator comprises a flexible leg provided to the frame, said flexible leg being subject to stress whitening through repeated bending.

9. A mask assembly according to claim 8, wherein the leg is made of one of polypropylene and polyethylene.

10. A mask assembly according to any one of claims 8-9, wherein the stress whitening is in the form of a warning message visible upon approaching end of life.

11. A mask assembly according to any one of claims 7-10, wherein the usage indicator is activated after no more than 14 days of usage.

12. A mask assembly according to claim 11, wherein the usage indicator is activated after no more than 7 days of usage.

13. A mask assembly according to any one of claims 1-12, wherein the frame comprises flexible, thin wall portions having a thickness of between about 0.25 mm and 1.0 mm.

14. A mask assembly according to any one of claims 1-13, further comprising a port provided in the frame, and a port cap provided in one piece with the cushion.

15. A mask assembly according to claim 14, wherein the frame includes a notch to receive a bridge of the port cap.
16. A mask assembly according to any one of claims 14-15, wherein the port cap includes enlarged lateral wing portions.
17. A mask assembly according to any one of claims 1-16, further comprising an elbow assembly provided to a front face of the frame.
18. A mask assembly according to claim 17, wherein the elbow assembly includes at least one tab member provided to an undercut of the frame.
19. A mask assembly according to claim 18, wherein the tab member and the undercut form a one-way snap connection between the elbow assembly and the frame.
20. A mask assembly according to any one of claims 17-19, wherein the elbow assembly includes an anti-asphyxia valve member.
21. A mask assembly according to any one of claims 17-20, wherein the elbow assembly includes a dome-shape portion with an internal cylindrical tube.
22. A mask assembly according to claim 21, wherein the anti-asphyxia valve member includes a generally cylindrical aperture defining an inner shoulder that frictionally engages the cylindrical tube, and an outer ring portion which engages an upstanding wall member of the dome portion.
23. A mask assembly according to any one of claims 21-22, wherein the dome portion includes at least one vent.

24. A mask assembly according to claim 23, wherein the at least one vent includes a duck bill valve provided thereto.
25. A mask assembly according to any one of claims 22-24, wherein the outer ring portion of the anti-asphyxia valve member includes a shoulder which engages with an edge portion of the upstanding wall member.
26. A mask assembly according to any one of claims 20-25, wherein the anti-asphyxia valve member comprises an elastomeric material.
27. A mask assembly according to any one of claims 1-26, further comprising headgear to support the mask assembly on the patient in use.
28. A mask assembly according to claim 27, wherein the frame includes receptacles to receive respective headgear clips secured to straps of the headgear.
29. A mask assembly according to claim 28, wherein the receptacles include opposed first and second arms provided as part of the frame.
30. A mask assembly according to claim 29, wherein each headgear clip includes first and second arms which engage with the first and second opposed arms of the receptacle when the headgear clip is inserted into the receptacle.
31. A mask assembly according to any one of claims 27-30, further comprising at least one headgear connection portion including a first slot into which an end of the headgear strap is threaded, and a second slot in communication with a gap by which the headgear can be inserted into the second slot.

32. A mask assembly according to any one of claims 27-31, wherein the headgear includes a substantially planar material which includes at least one slit, wherein the slit may be expanded upon use to define an open area bordered on all sides by at least a portion of the material.

33. A mask assembly according to claim 32, wherein the slit includes a plurality of slits which expand in use to form a net around the occiput of the patient's head.

34. A mask assembly according to any one of claims 32-33, wherein each of the open areas includes a polygon such as a diamond shape and/or a triangle shape.

35. A mask assembly according to any one of claims 32-34, wherein the material is susceptible to accumulation of grime or oils, thereby providing a usage indicator which cannot be cleaned.

36. A mask assembly according to any one of claims 27-35, wherein the headgear includes at least three points of attachment to the frame.

37. A mask assembly according to any one of claims 1-36, wherein the mask assembly is a disposable mask assembly.

38. A mask assembly according to any one of claims 1-37, wherein the mask assembly is a full-face mask assembly.

39. A mask assembly according to any one of claims 1-38, wherein the mask assembly is a nasal mask assembly.

40. A mask assembly comprising:
a frame,
a cushion; and
headgear,
wherein at least one of the frame, cushion and headgear includes a usage indicator as to condition of the mask assembly.

41. A mask assembly according to claim 40, wherein at least a portion of the frame is made of a material that exhibits stress whitening after repeated movement.

42. A mask assembly according to claim 41, wherein the stress whitening takes the form of a warning signal.

43. A mask assembly according to claim 42, wherein the warning signal is in the form of one or more words.

44. A mask assembly according to any one of claims 40-43, wherein the usage indicator provides an indication of over usage after no more than 14 days of usage.

45. A mask assembly according to claim 42, wherein the usage indicator is exhibited after no more than 7 days of usage.

46. A mask assembly comprising:
a frame;
a cushion provided to the frame;
a cushion clip provided to secure the cushion between the cushion clip and the frame via a first connection; and
a swivel elbow provided to the frame via a second connection,

wherein at least one of the first and second connections is provided via a one-way snap which will deform and/or break upon attempt to disassemble.

47. A mask assembly according to claim 46, wherein the first connection includes a rod provided to the cushion clip which passes through at least one of the cushion and the frame, wherein the rod includes an enlarged head portion which allows assembly of the cushion clip to the frame, but substantially prevents removal of the cushion clip from the frame.

48. A mask assembly according to any one of claims 46-47, wherein the second connection comprises an undercut provided on the frame and at least one tab member provided on a portion of the swivel elbow.

49. Headgear for use with a respiratory mask assembly, comprising:
a substantially planar piece of material which includes at least one slit before use, wherein the at least one slit is expandable to form a substantially enlarged open area in use, so that the material substantially surrounds an occiput of the patient's head.

50. Headgear for use with a respiratory mask assembly according to claim 49, wherein each said open area has a polygon shape, such as a diamond or triangle.

51. Headgear for use with a respiratory mask assembly according to any one of claims 49-50, further comprising a first portion including a first strap portion for connection with a central top portion of a mask assembly, and a second portion including second and third strap portions for connection with lateral sides of the mask assembly.

52. Headgear for use with a respiratory mask assembly according to any one of claims 49-51, wherein the headgear forms a waffle-like pattern in use when worn by the patient.

53. A method of making headgear comprising:
providing a single piece of material;
creating a plurality slits in the material;
orienting the slits such that placement of the headgear on a patient's head expands the plurality of slits to form a plurality of open areas spread over the patient's head in use, wherein the material includes at least first and second strap end portions adapted for connection to a mask assembly.

54. A method of making headgear according to claim 53, wherein the open areas are in the form of polygons which are bordered on all sides by a portion of said material.

55. A method of making headgear according to claim 54, wherein the polygons include triangles or diamonds.

56. A method of making headgear according to any one of claims 53-55, wherein each of the strap end portions is formed in part by one of said plurality of slits.

57. A method of making headgear according to any one of claims 53-56, wherein the headgear includes at least three strap end portions.

58. A mask assembly comprising:
a frame;
an elbow provided to the frame and including an inlet conduit; and
a valve member provided between the frame and the elbow, the valve member being configured to allow breathing of ambient air and to prevent back flow of gas towards the inlet conduit of the elbow in an unpressurized state.

59. A mask assembly according to claim 58, wherein the elbow includes an internal cylindrical tube in communication with atmosphere and a dome that supports the tube, and

wherein any back flow is guided through the tube and not the inlet conduit in the unpressurized state.

60. A mask assembly according to any one of claims 58-59, wherein the elbow includes at least one inlet slot structured to allow ambient air to be channeled between the valve member and the frame for supply to the patient, when operating in the unpressurized state.

61. A mask assembly according to any one of claims 59-60, wherein the valve member is structured to separate from the tube during operation in a pressurized state, to thereby allow pressurized gas to enter an aperture of the frame.

62. A mask assembly according to any one of claims 58-61, wherein the valve member creates an audible indicator during operation in a pressurized state if the valve member is properly assembled.

63. A mask assembly according to claim 58, wherein the elbow includes a center tube portion and an inner tube suspended from a dome portion of the elbow.

64. A mask assembly according to claim 63, wherein the inner tube communicates with the atmosphere via a profiled end that is smaller towards atmosphere.

65. A mask assembly according to any one of claims 63-64, wherein the center tube portion includes an aperture near its connection to the dome portion and is generally aligned with the inlet conduit.

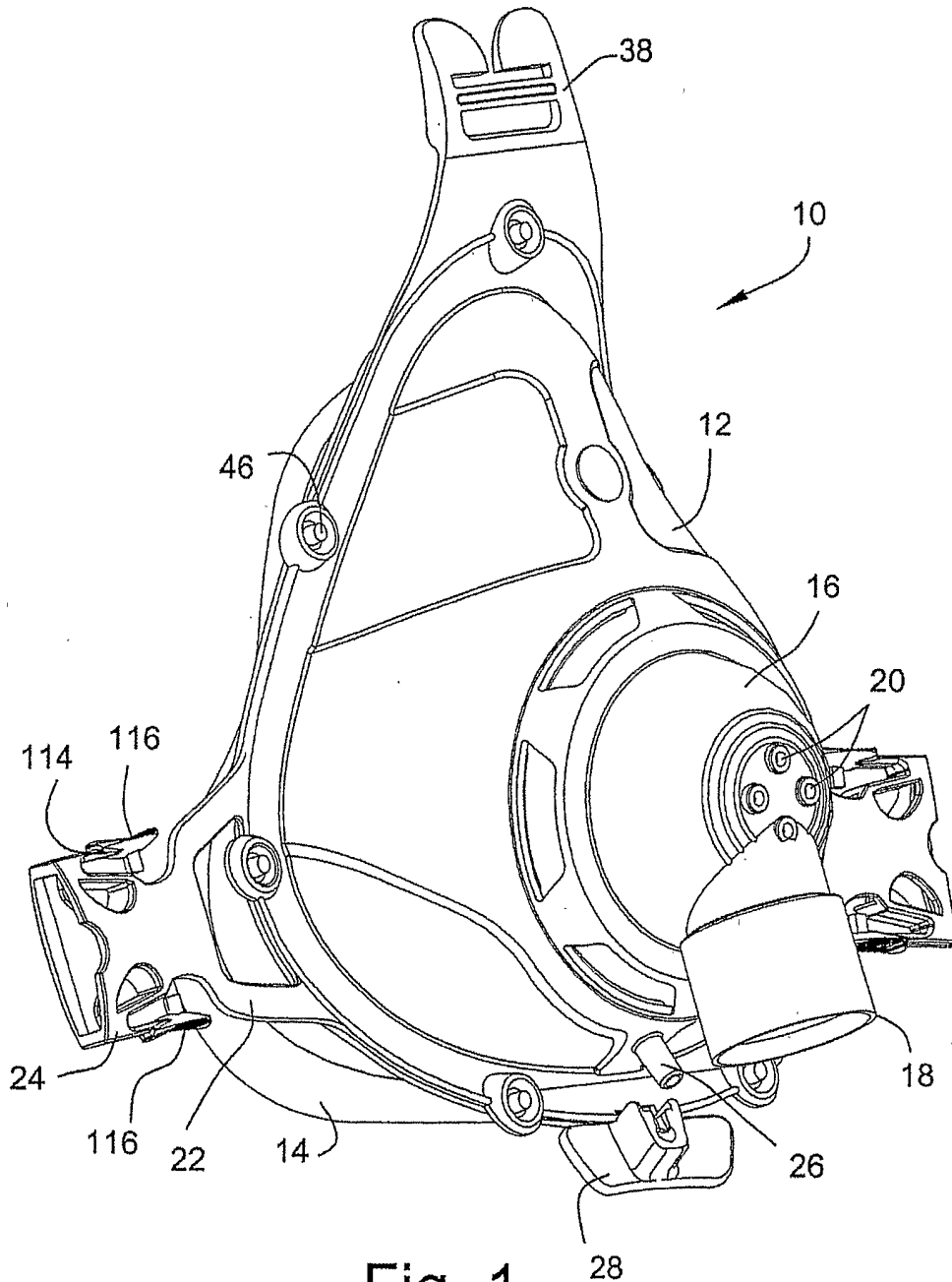


Fig. 1

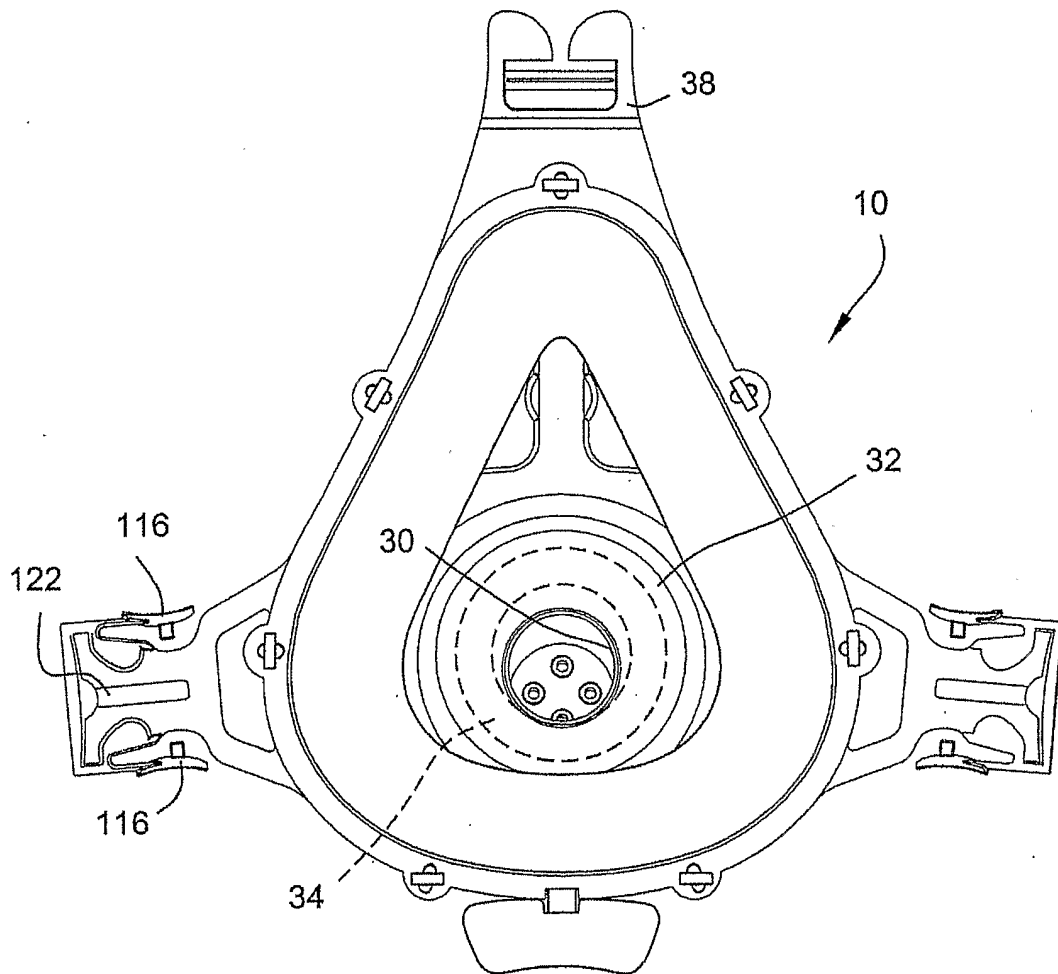


Fig. 2

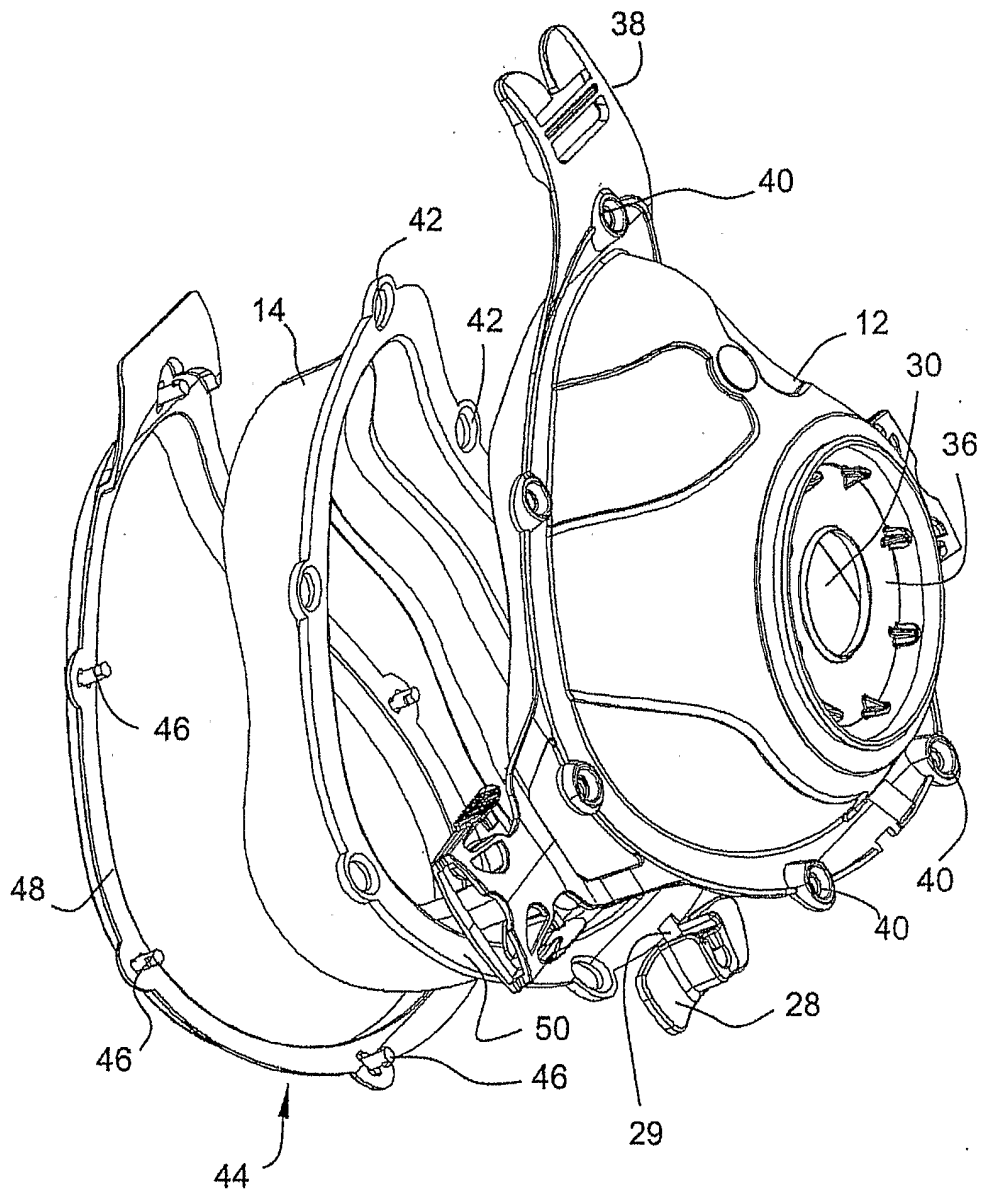


Fig. 3

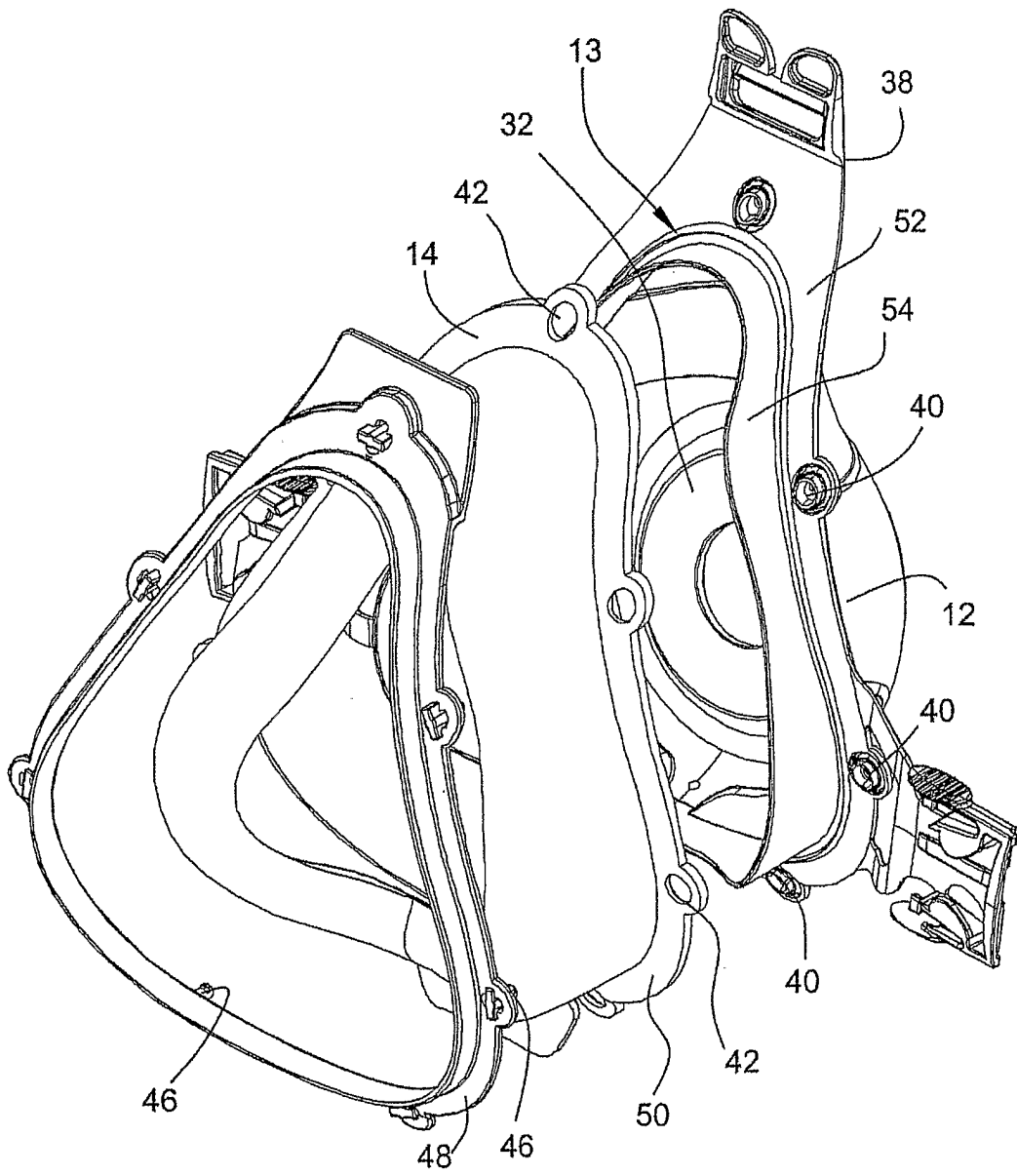


Fig. 4

5/49

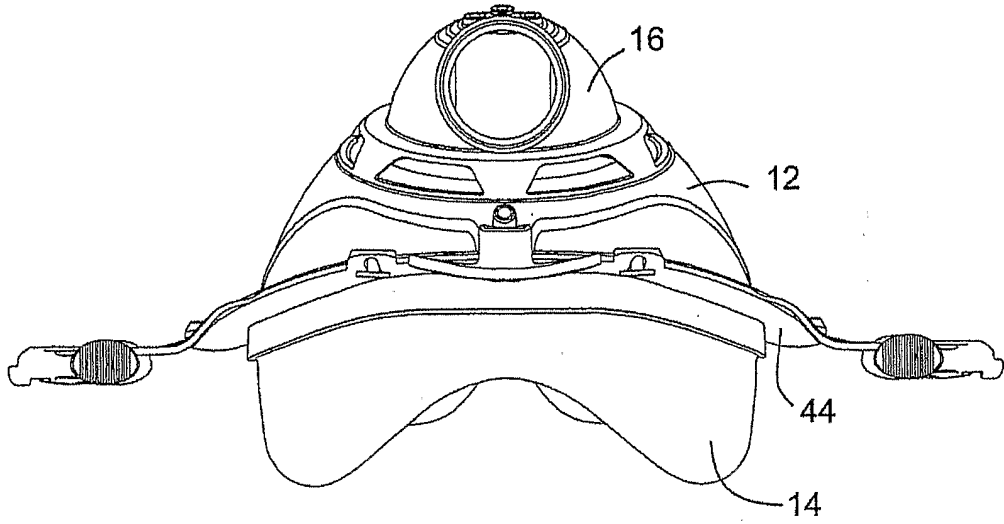


Fig. 5

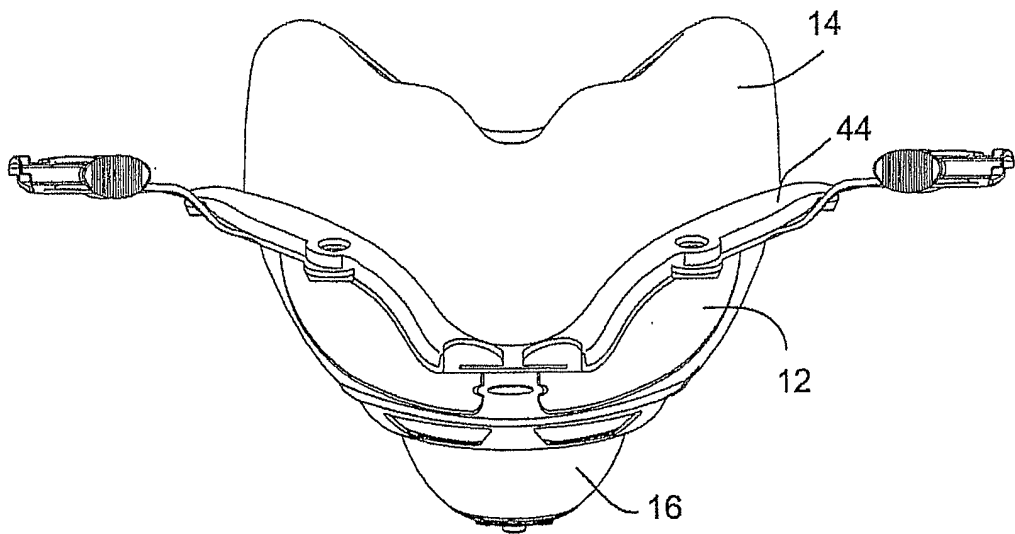


Fig. 6

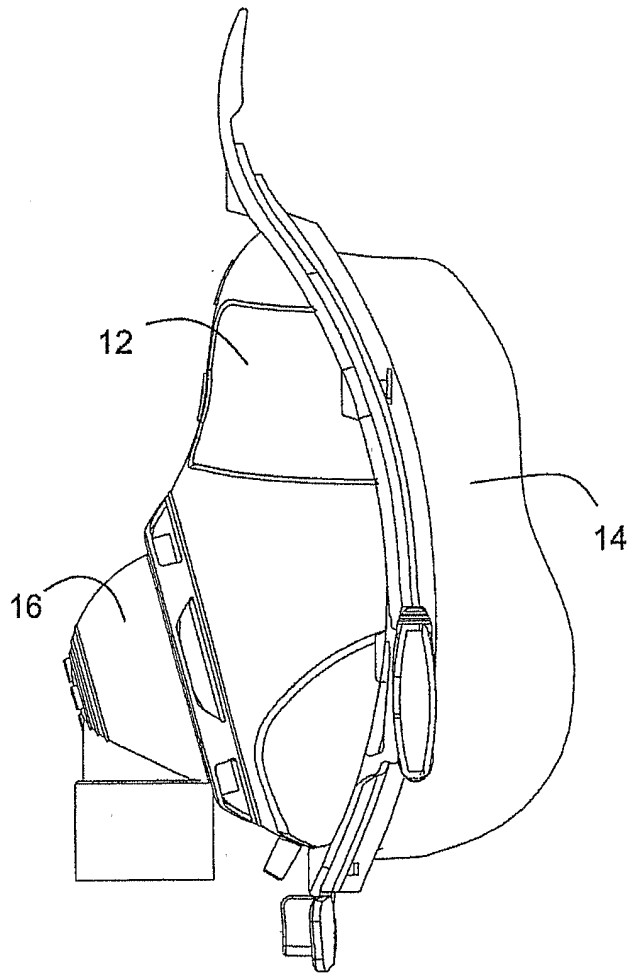


Fig. 7

7/49

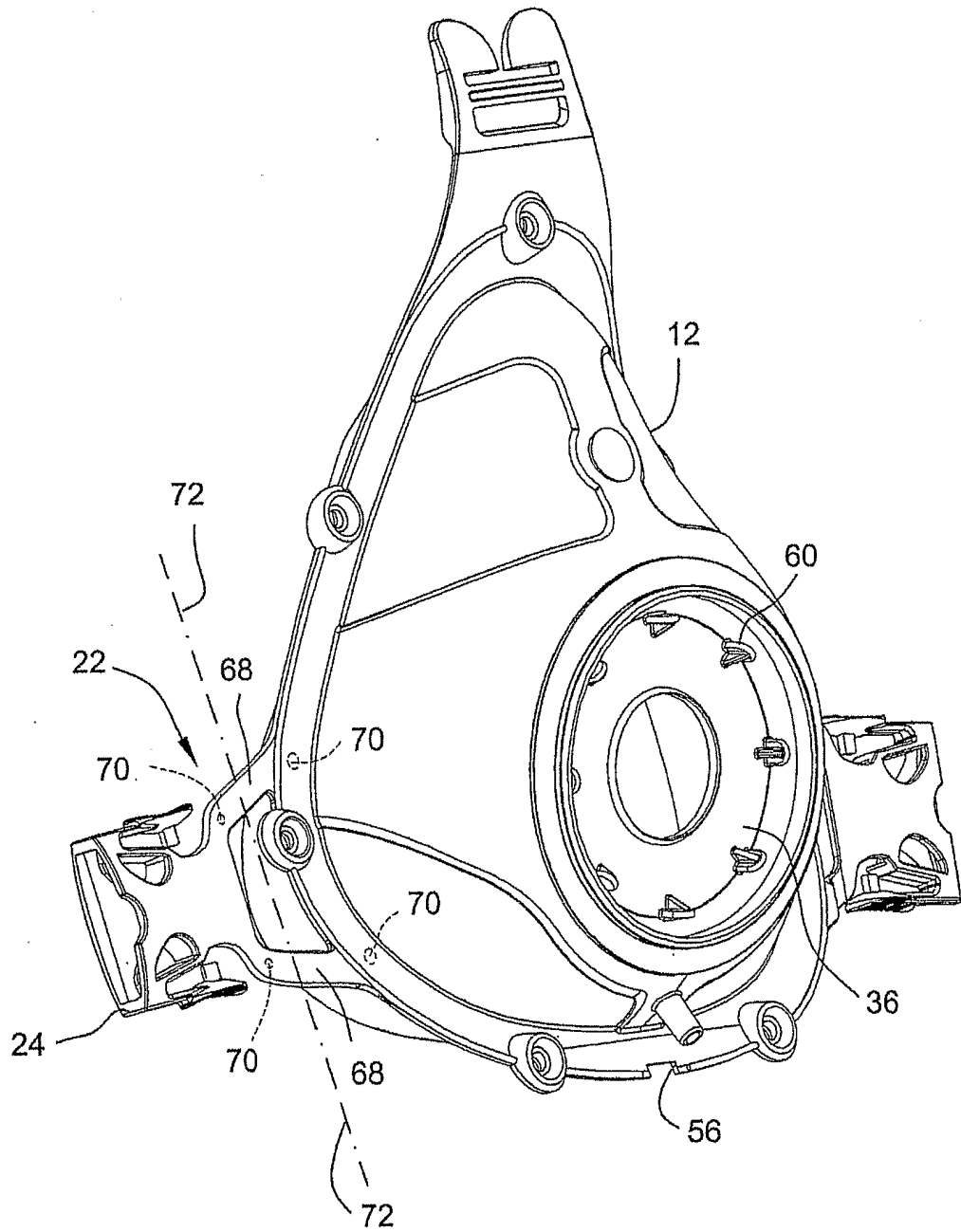


Fig. 8

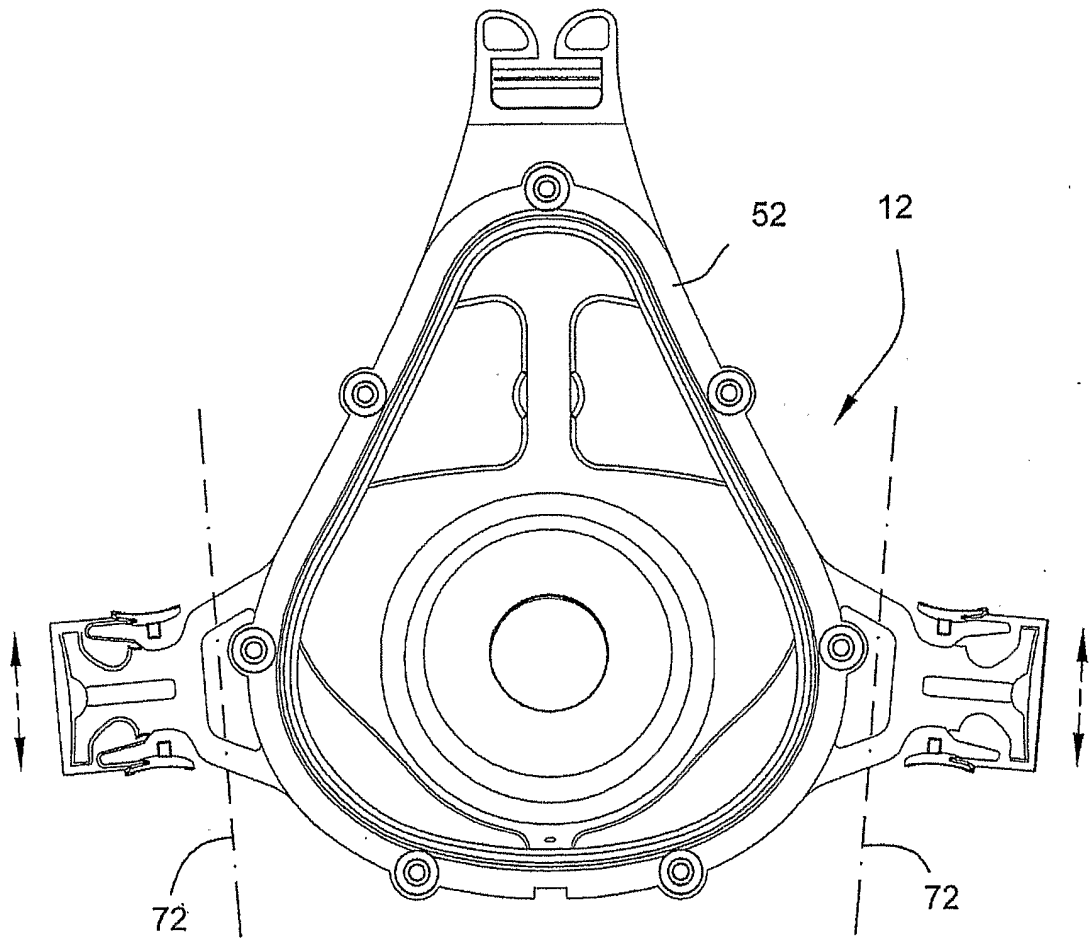


Fig. 9

9/49

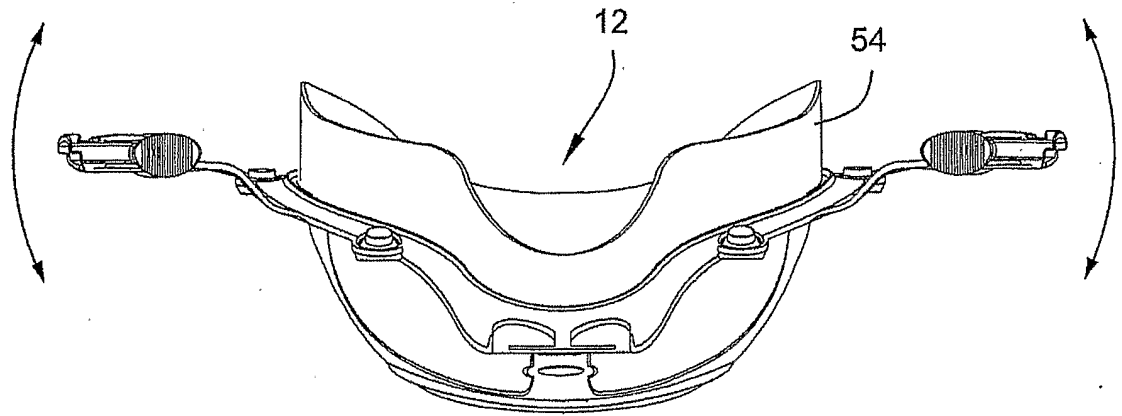


Fig. 10

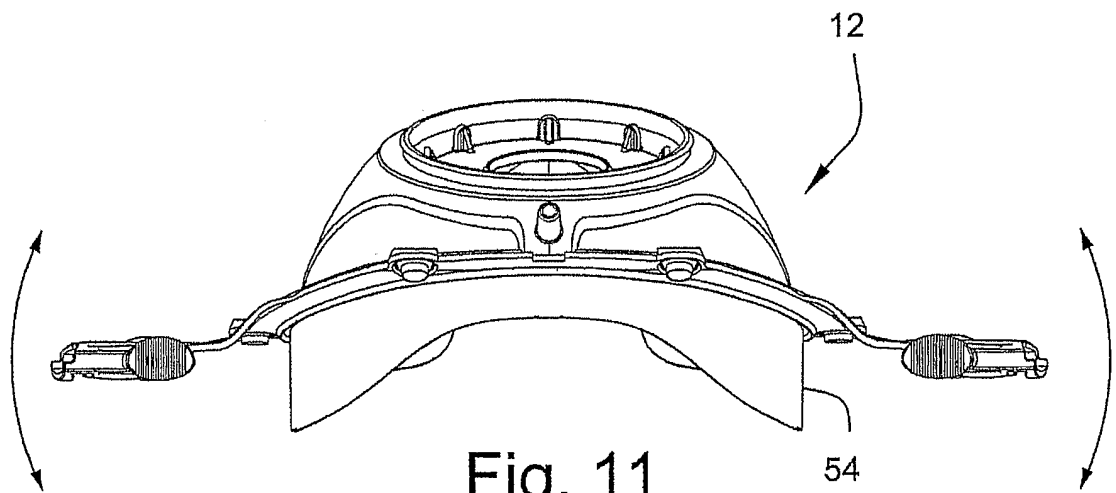


Fig. 11

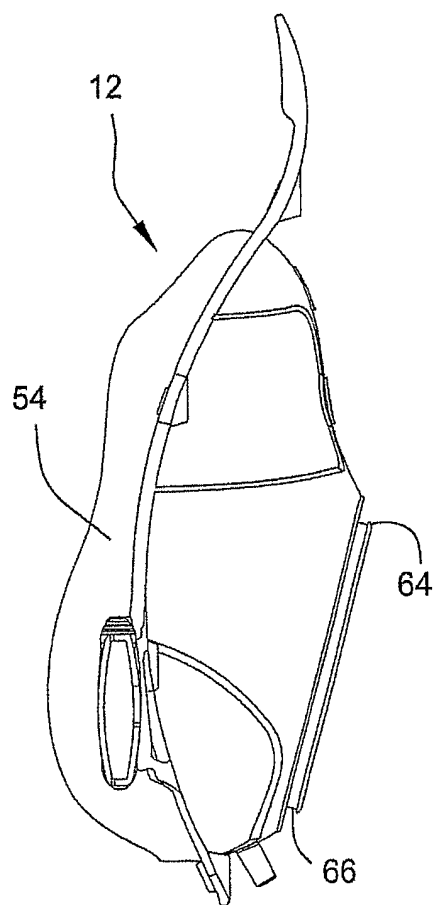


Fig. 12

11/49

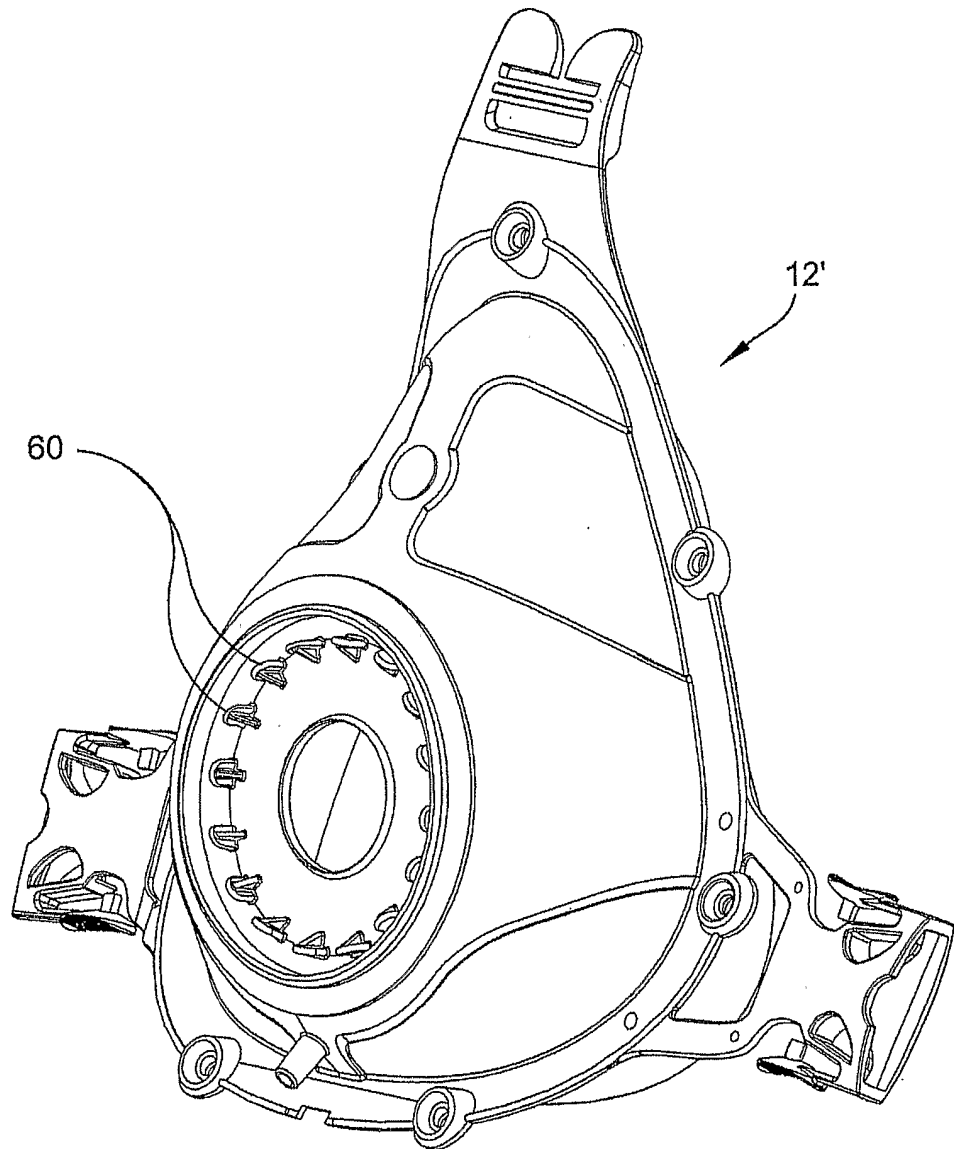


Fig. 12A

12/49

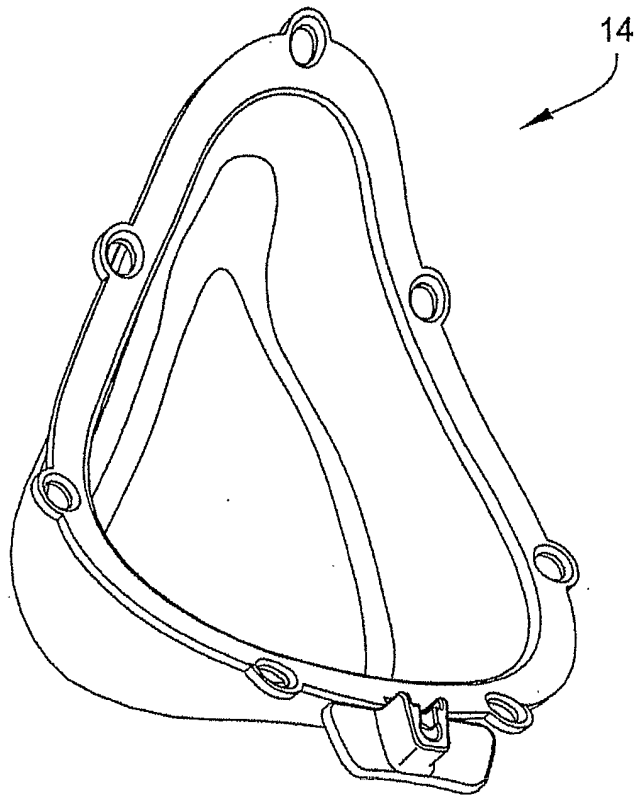


Fig. 13

13/49

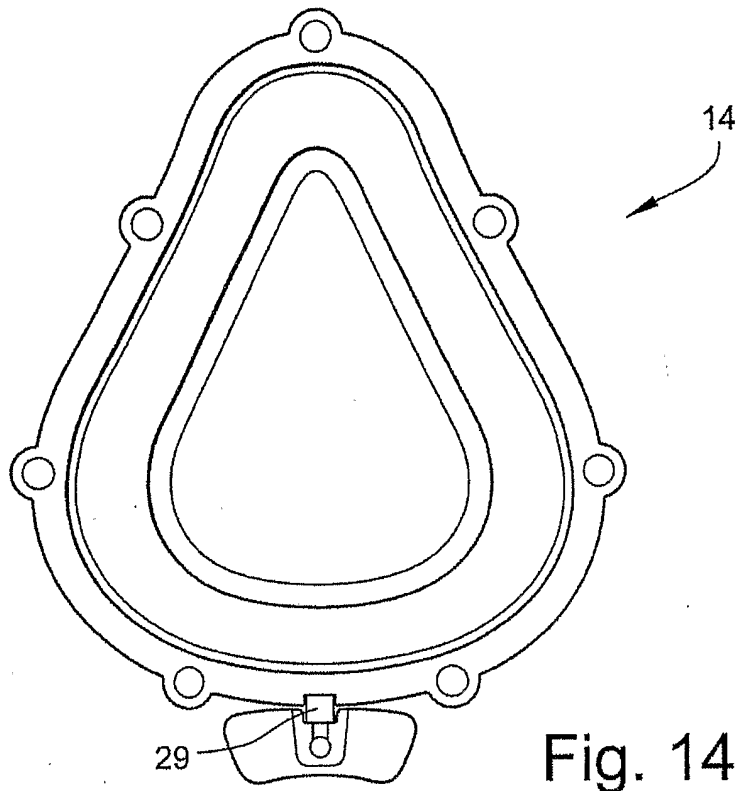


Fig. 14

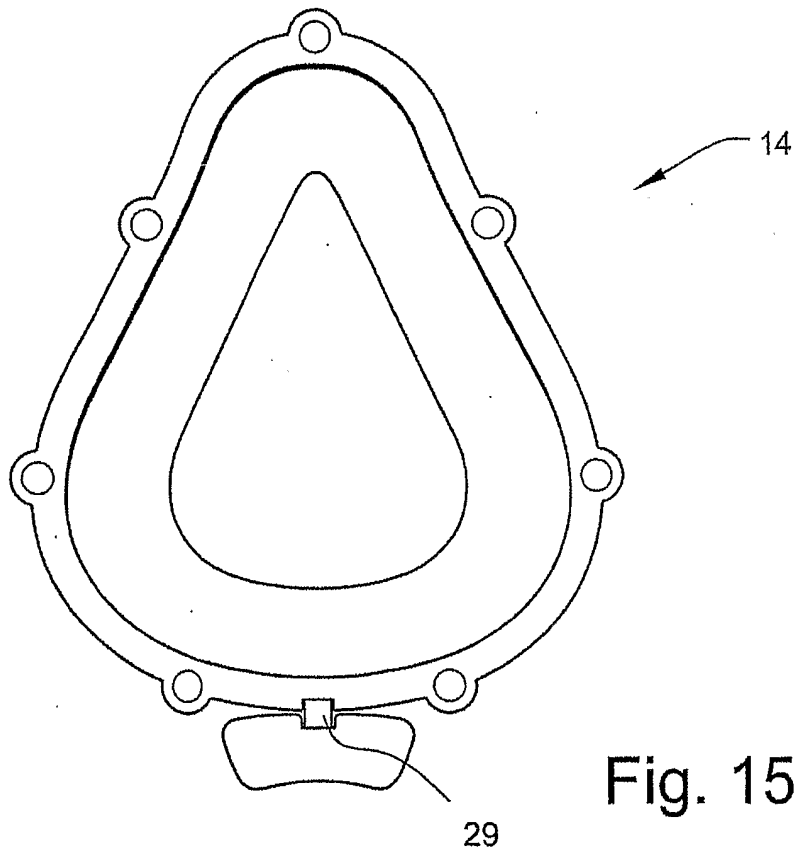


Fig. 15

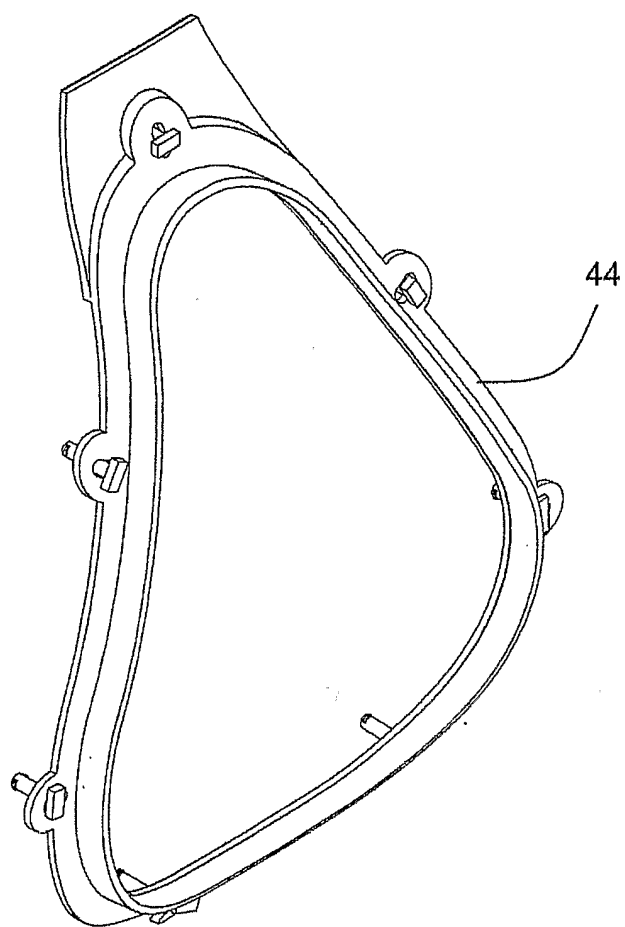


Fig. 16

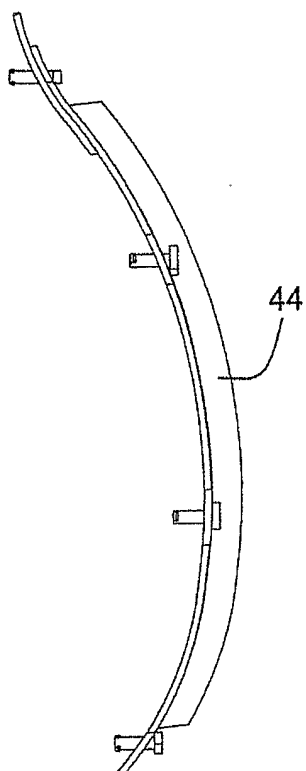


Fig. 17

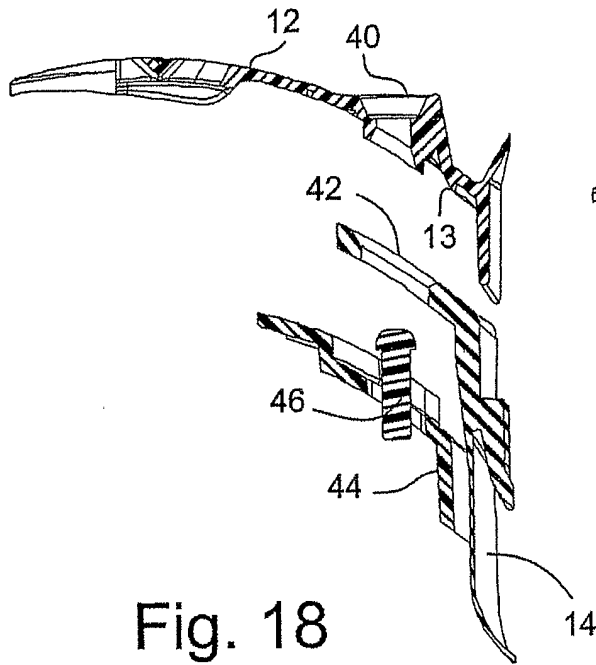


Fig. 18

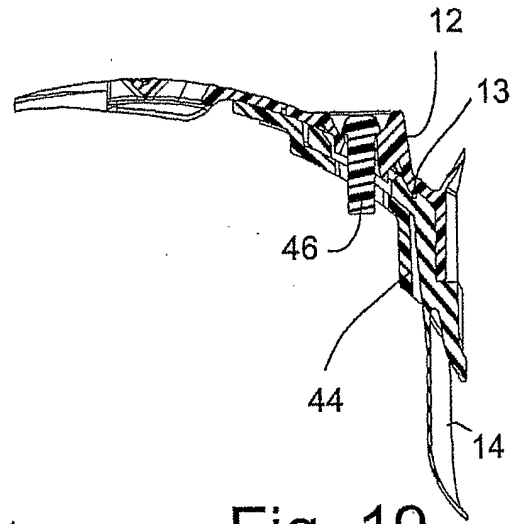


Fig. 19

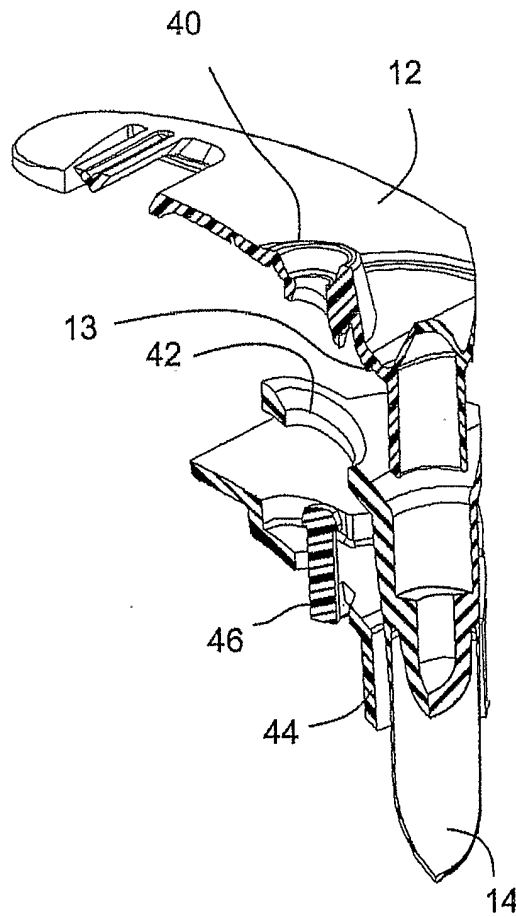


Fig. 20

17/49

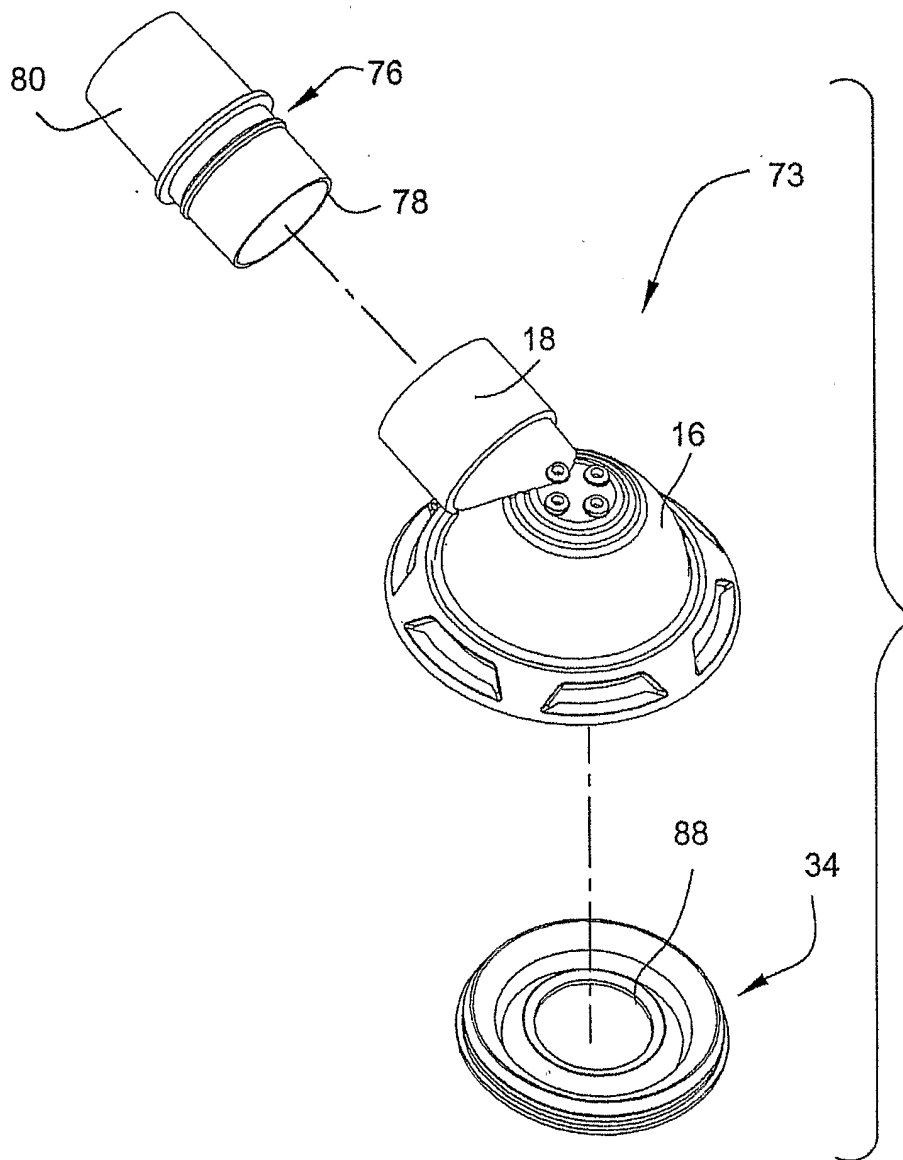
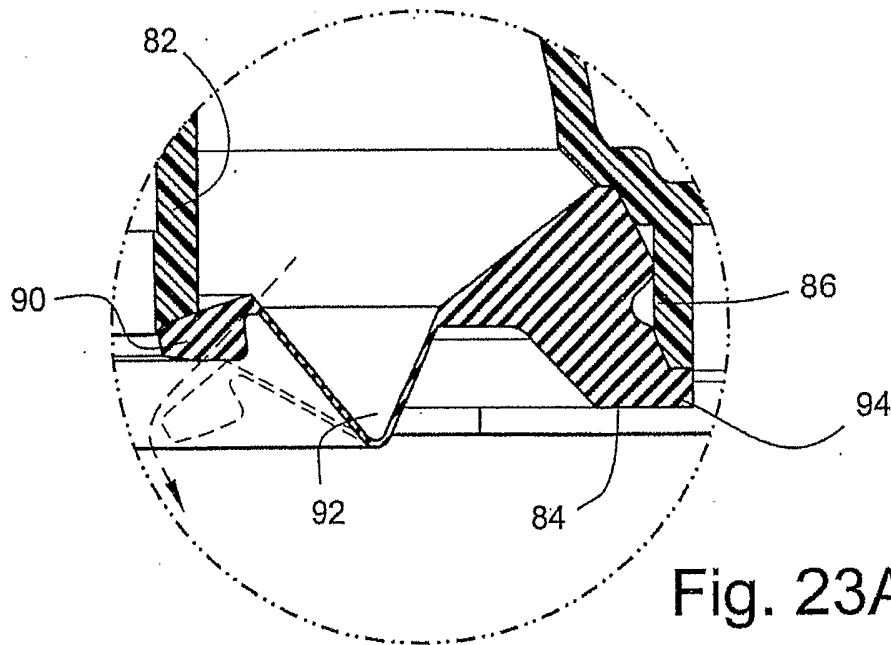
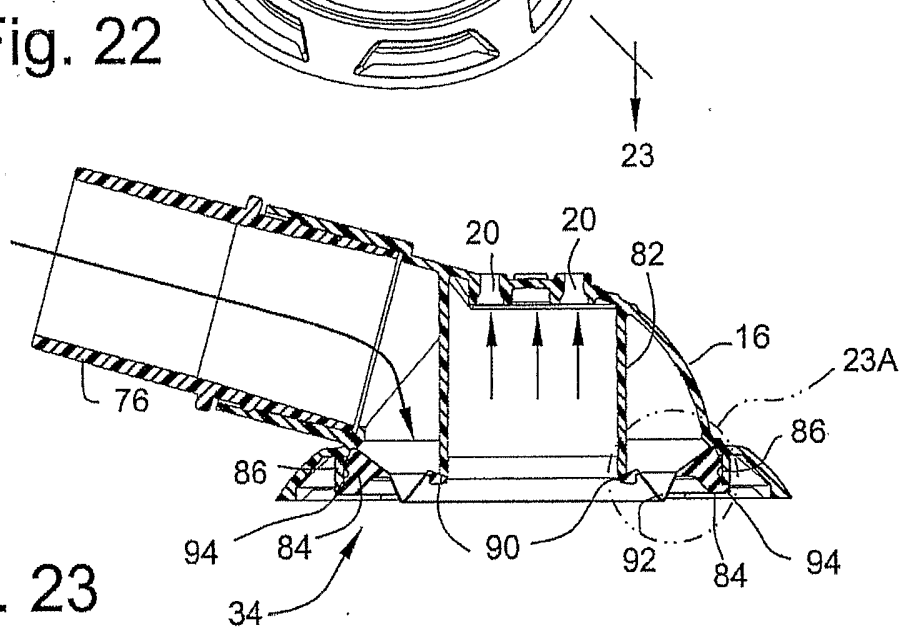
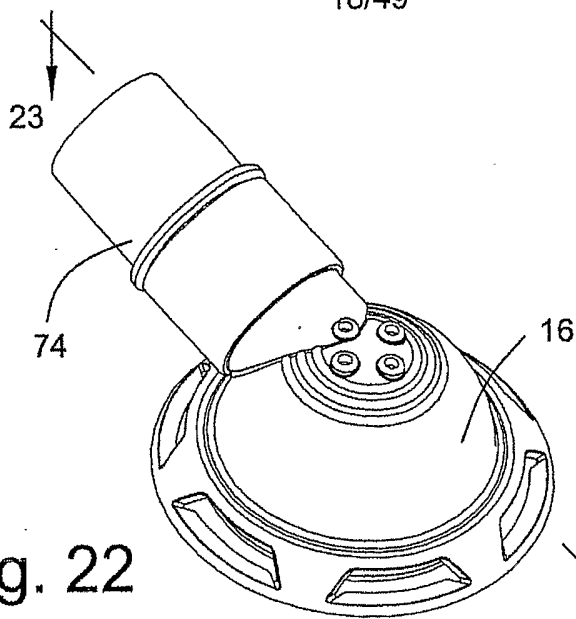


Fig. 21

18/49



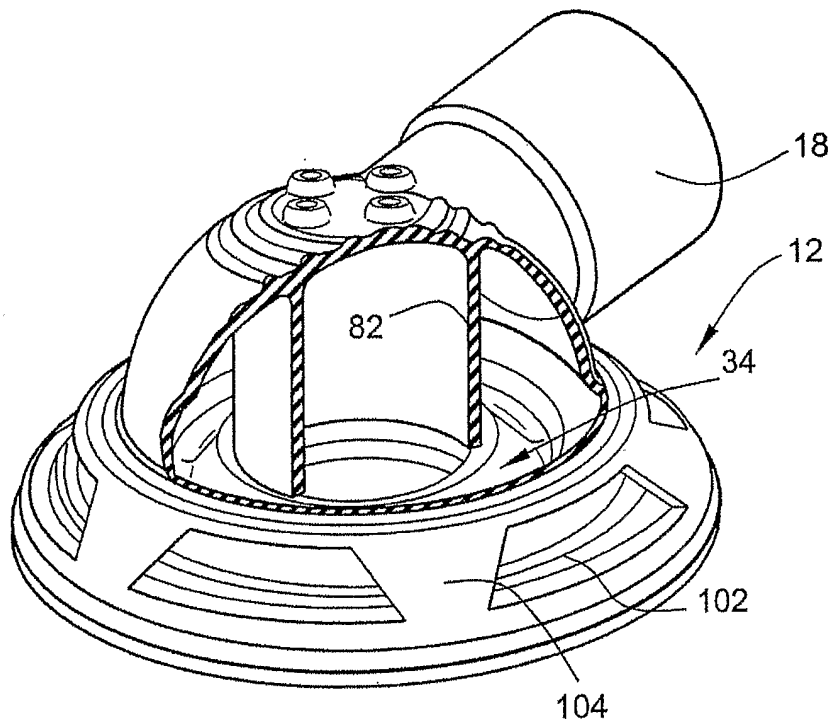


Fig. 23B

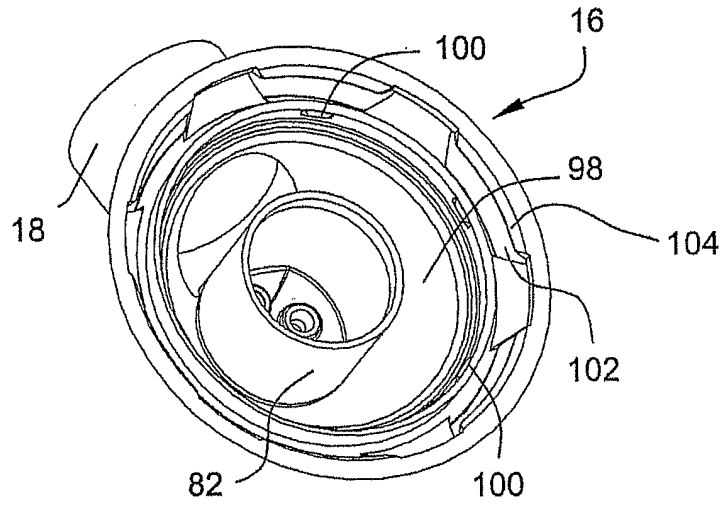


Fig. 24

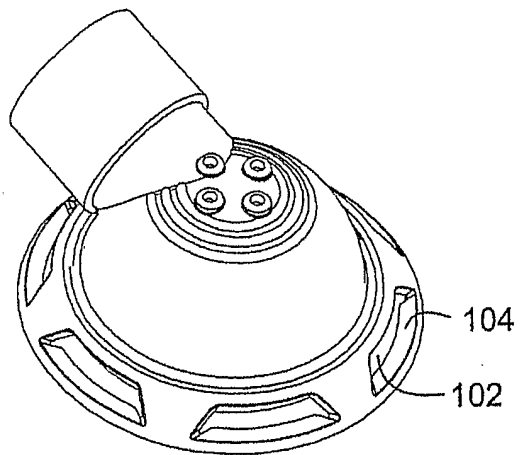


Fig. 25

21/49

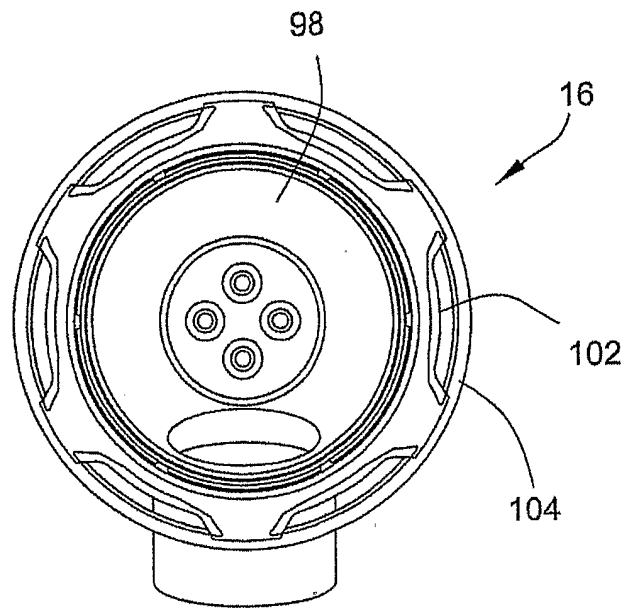


Fig. 26

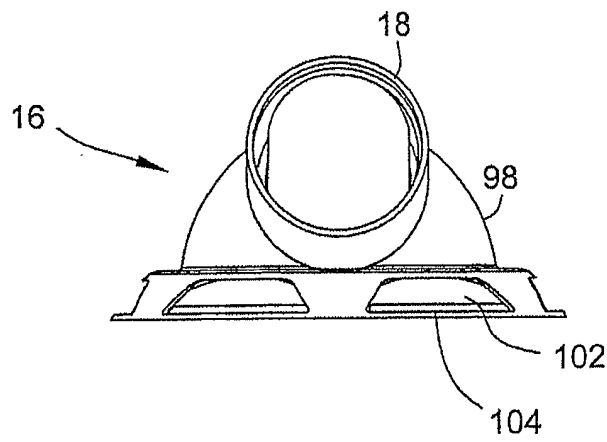


Fig. 27

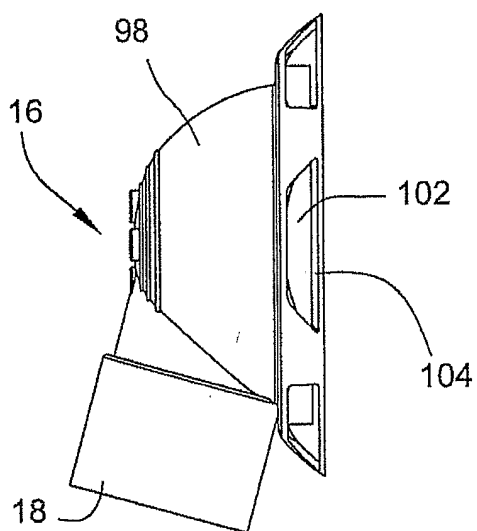
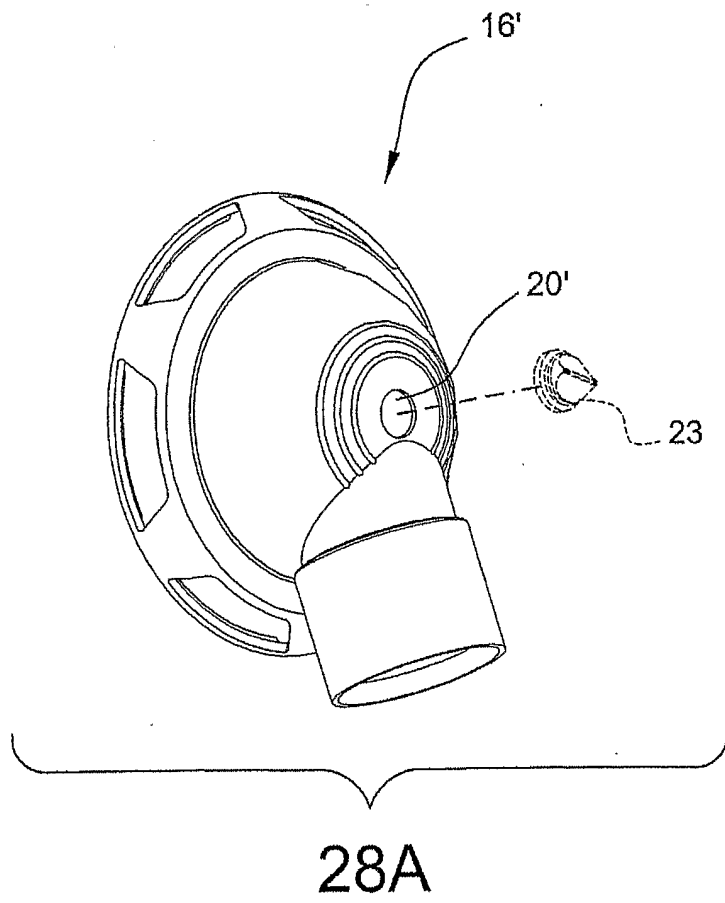


Fig. 28

23/49



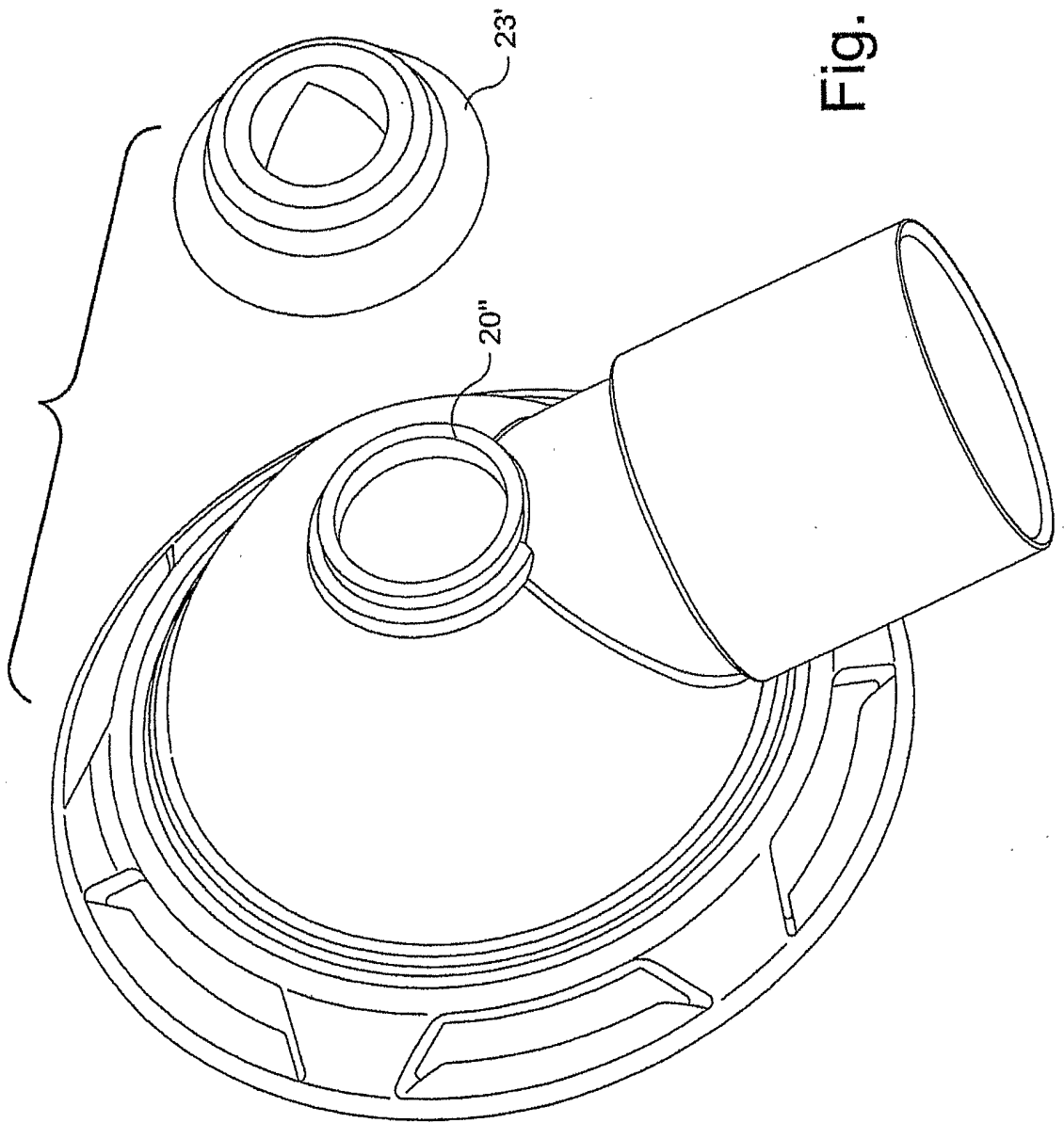


Fig. 28A-1

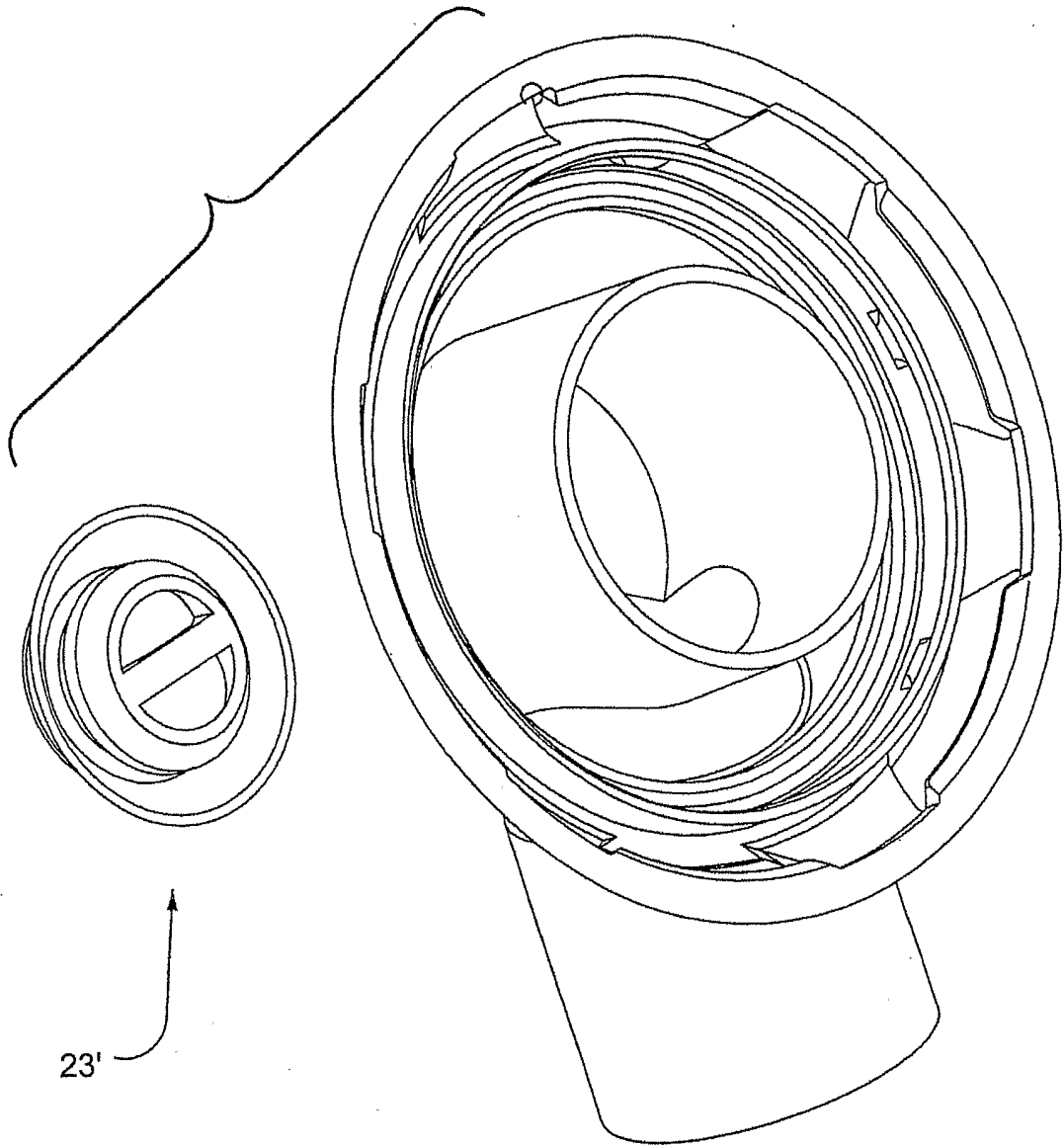


Fig. 28A-2

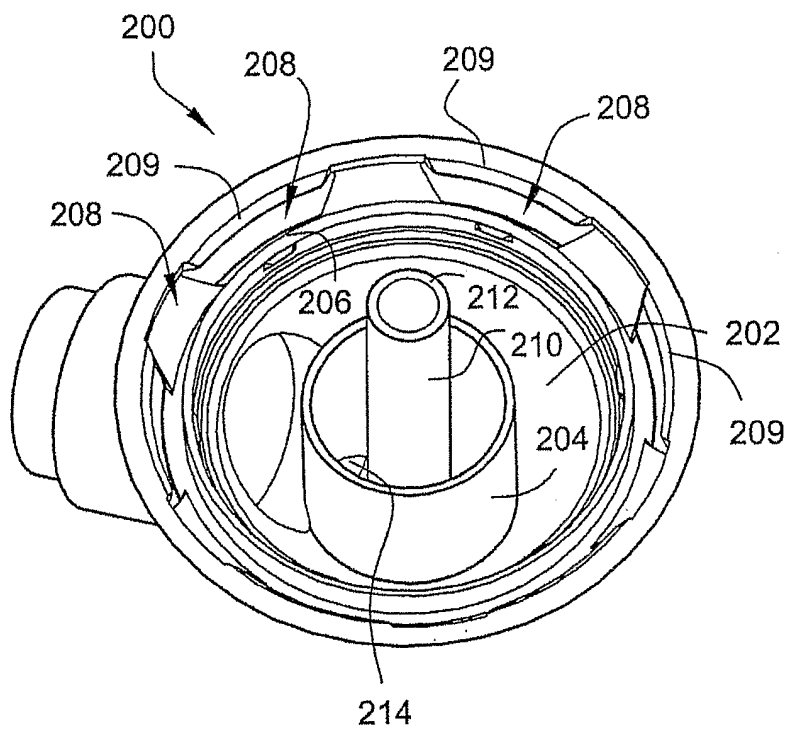


Fig. 28B

27/49

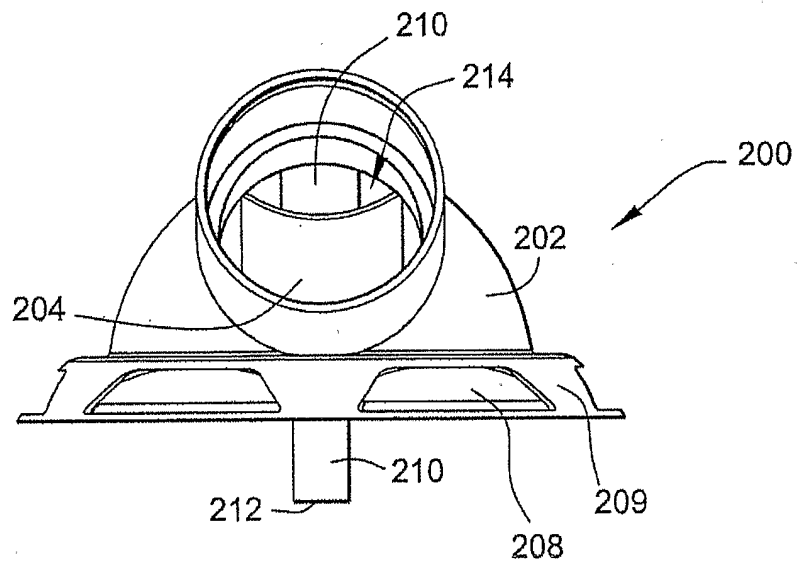


Fig. 28C

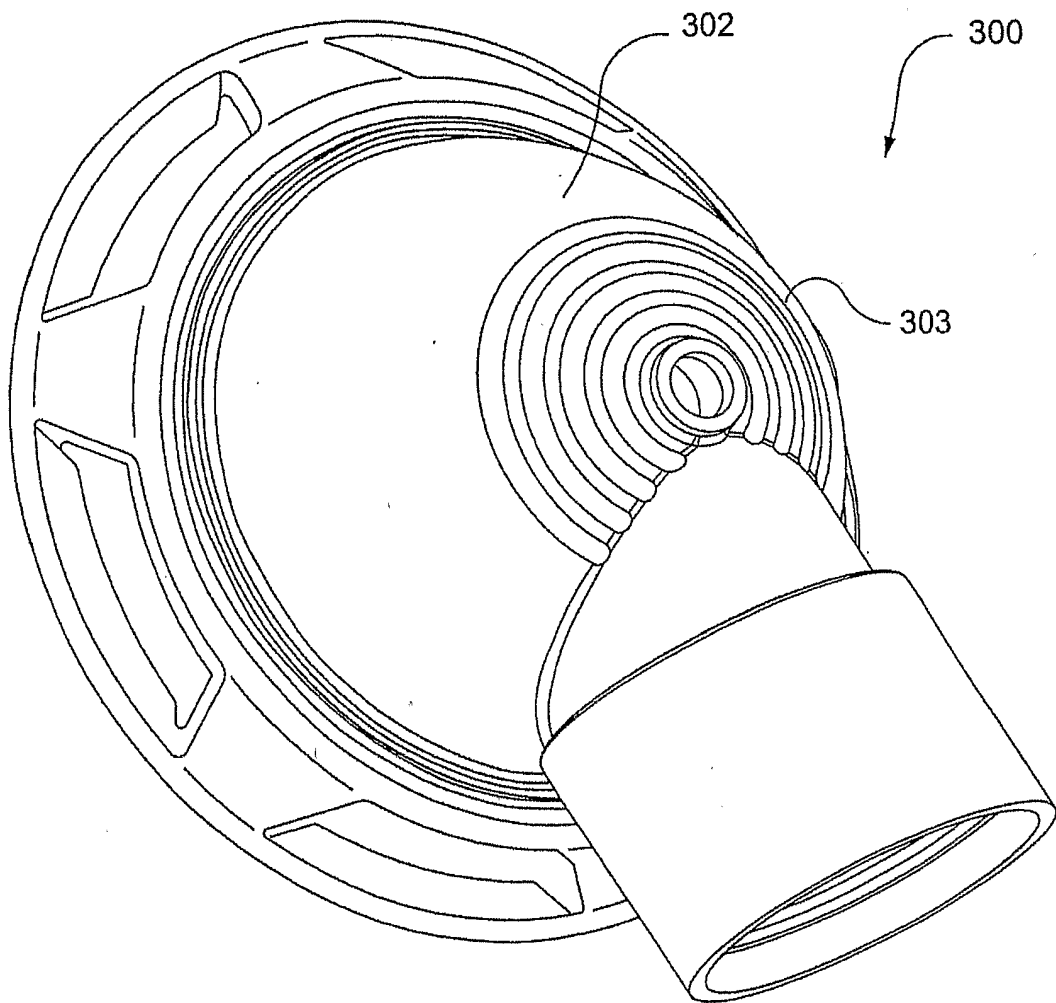


Fig. 28D

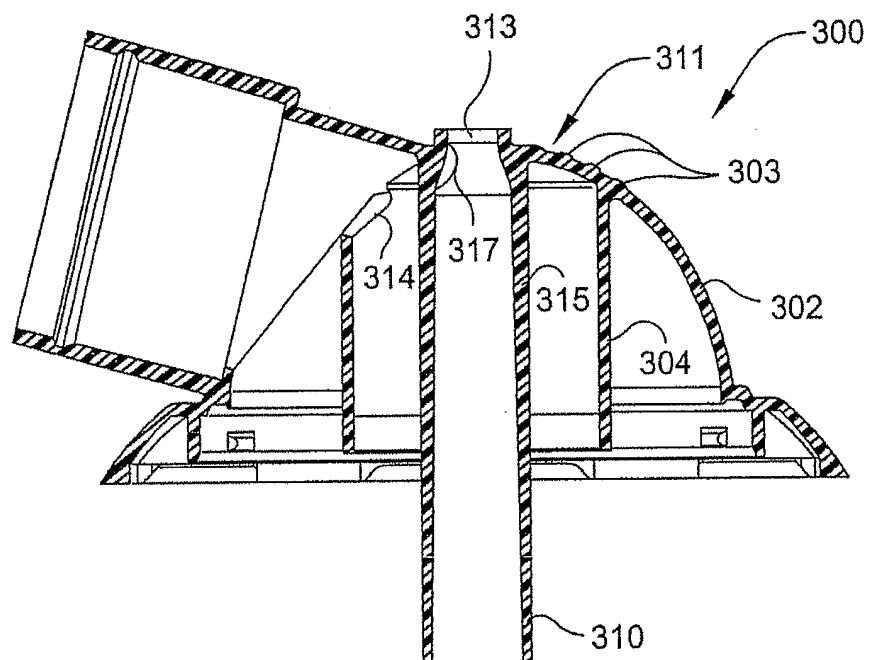


Fig. 28E

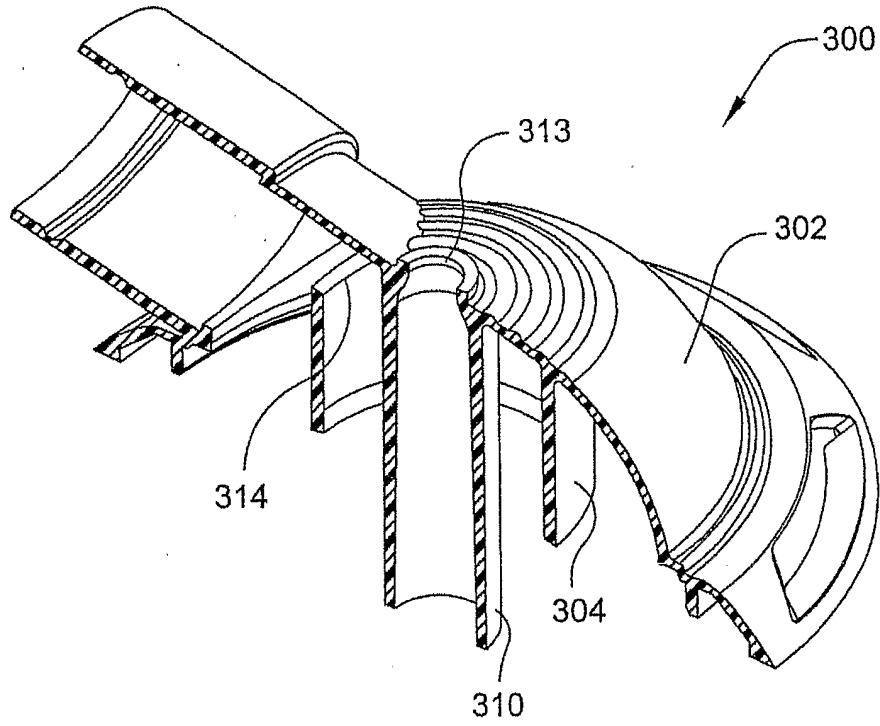


Fig. 28F

31/49

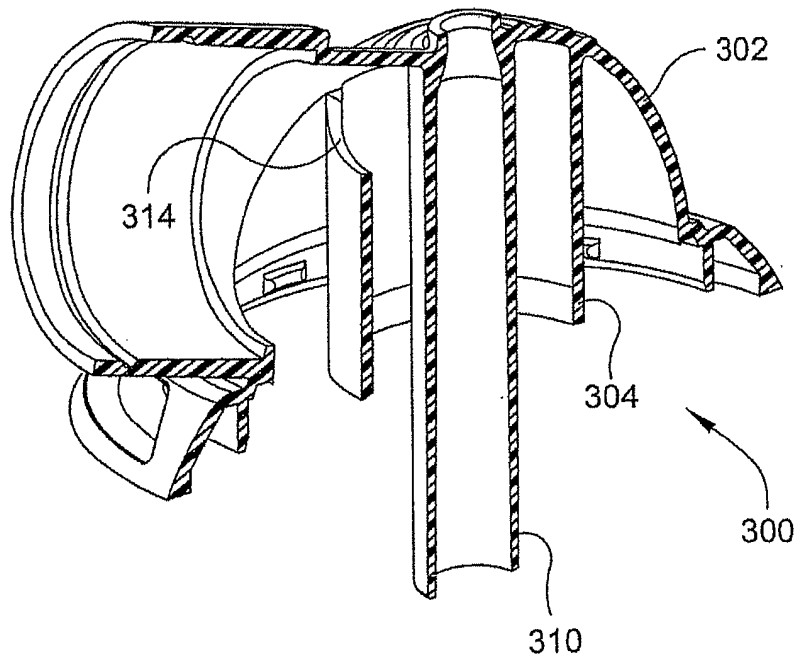


Fig. 28G

32/49

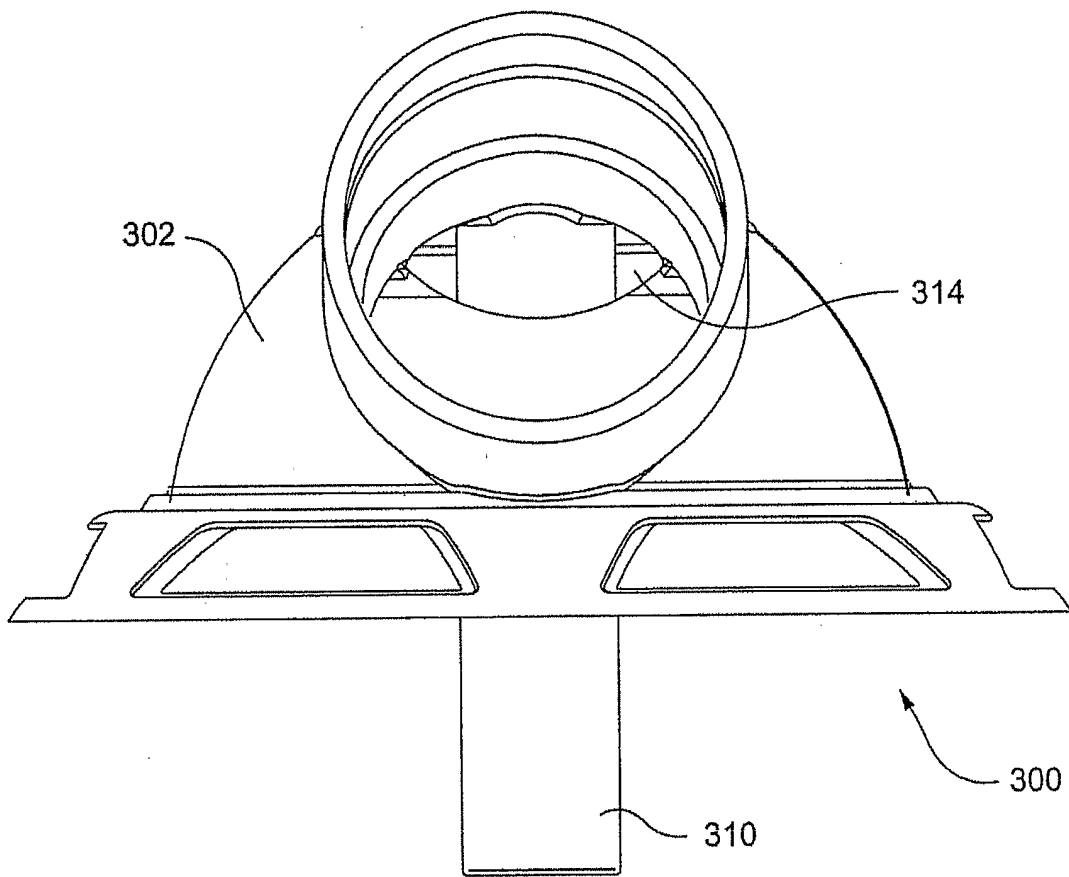


Fig. 28H

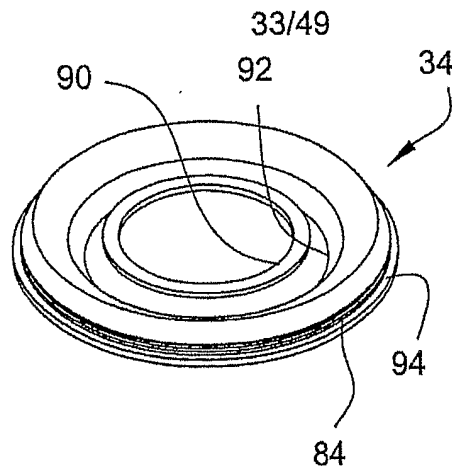


Fig. 29

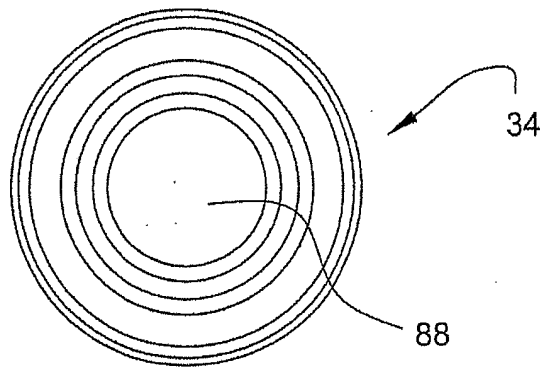


Fig. 30

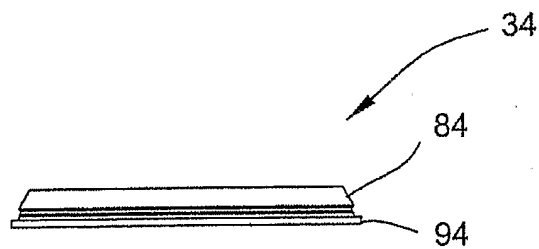


Fig. 31

34/49

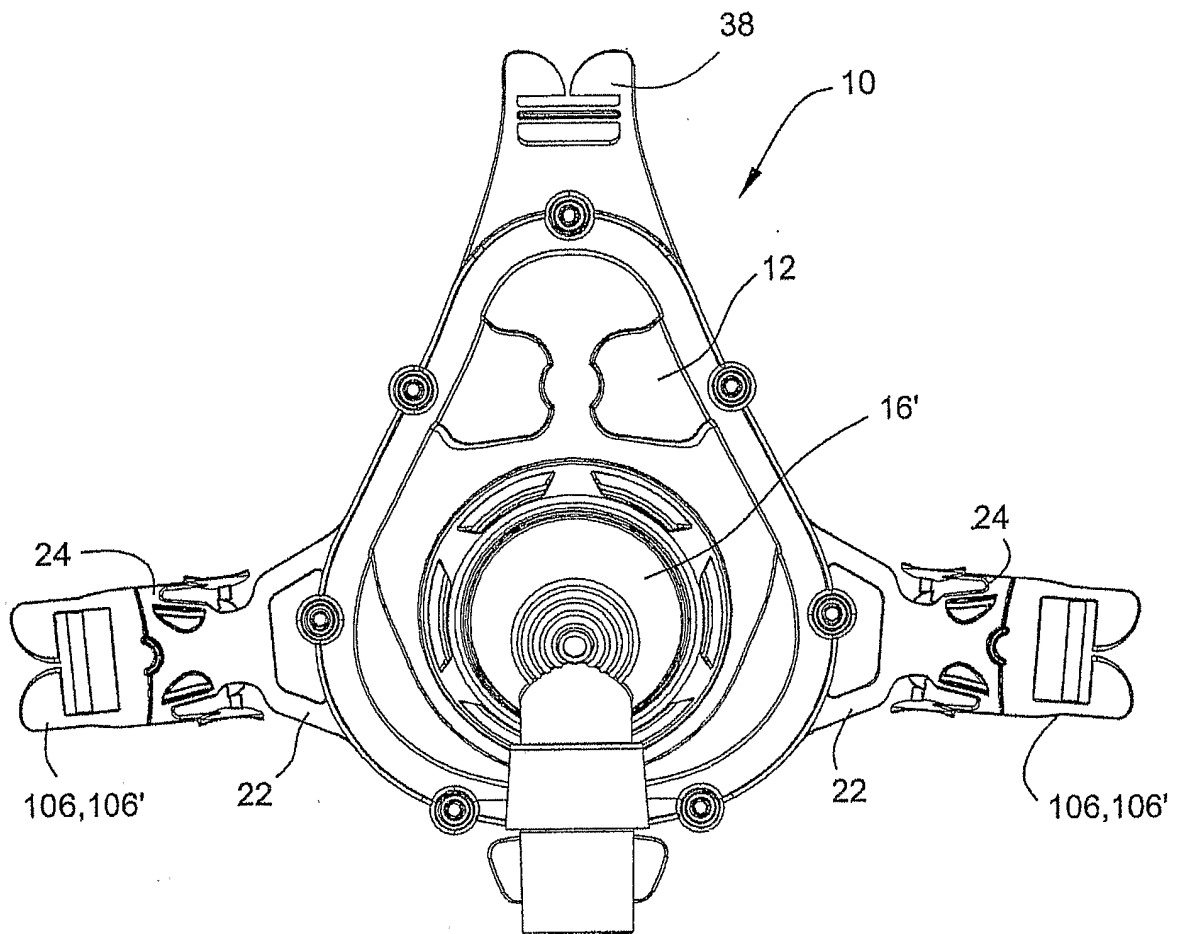


Fig. 31-A

35/49

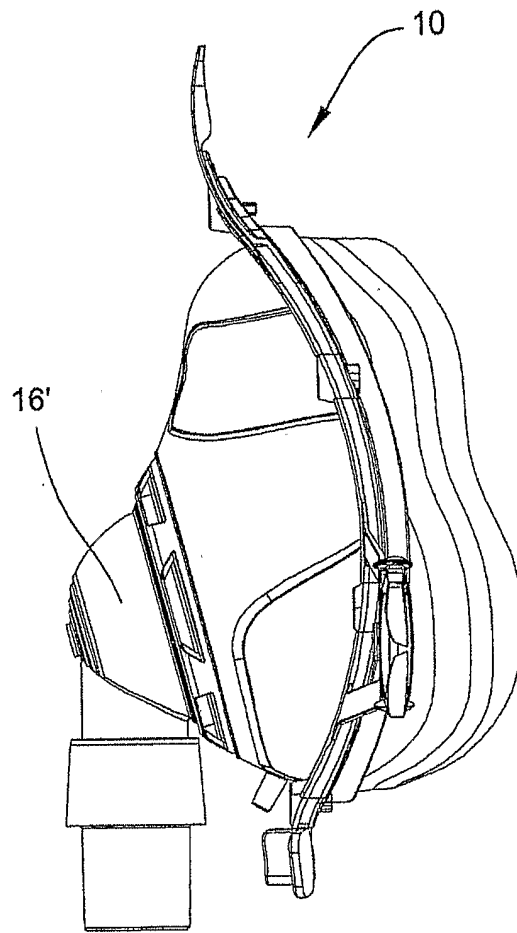


Fig. 31-B

36/49

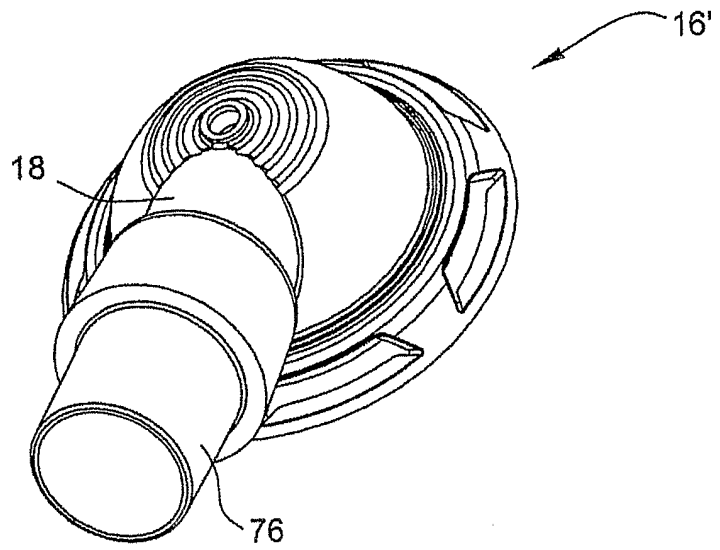


Fig. 31-C

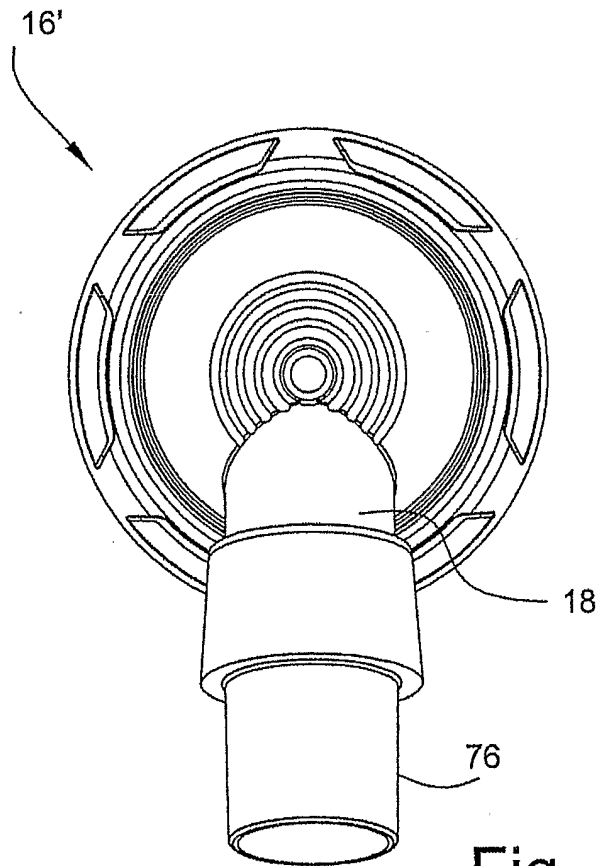


Fig. 31-D

37/49

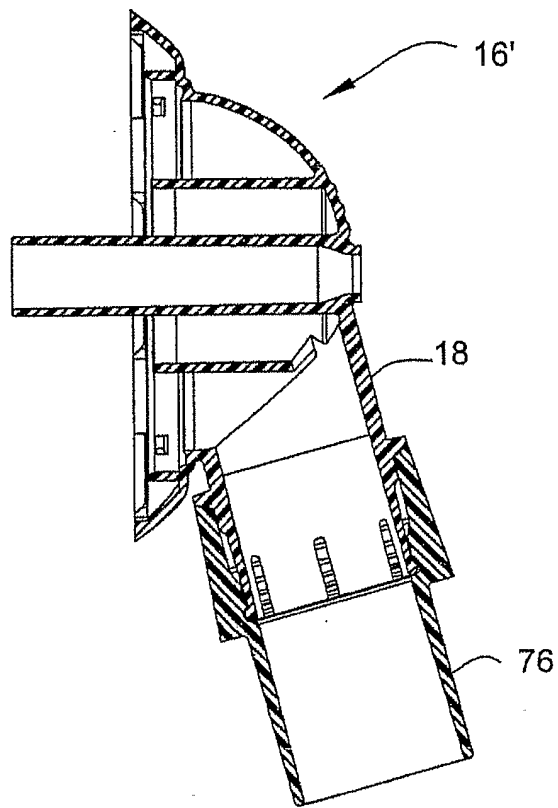
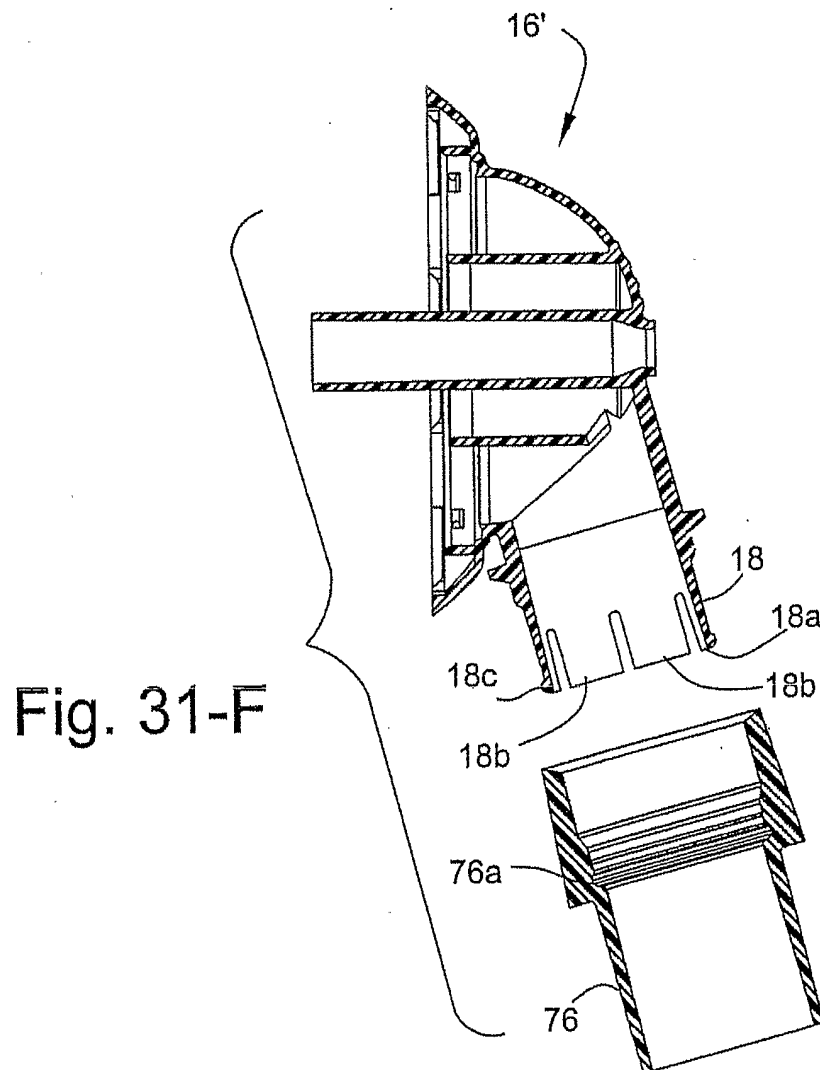


Fig. 31-E



39/49

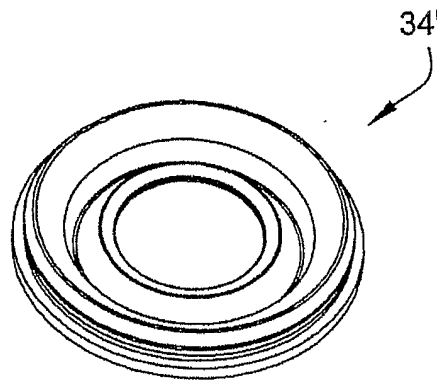


Fig. 31-G

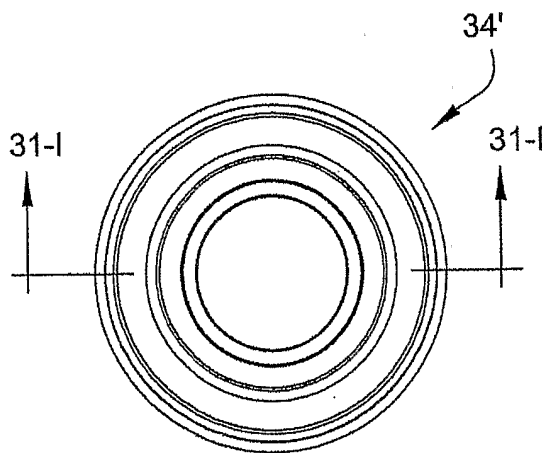


Fig. 31-H

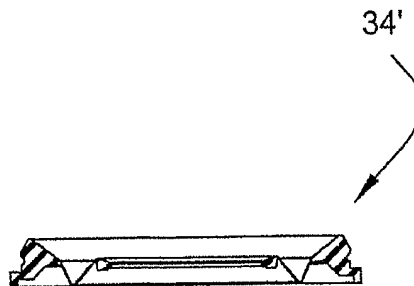


Fig. 31-I

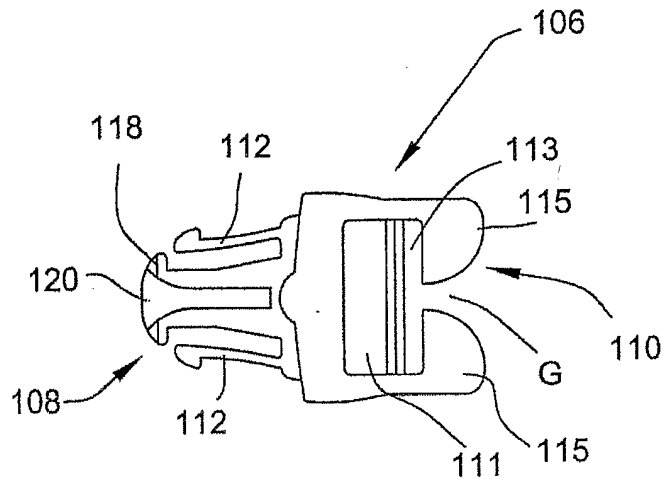


Fig. 32

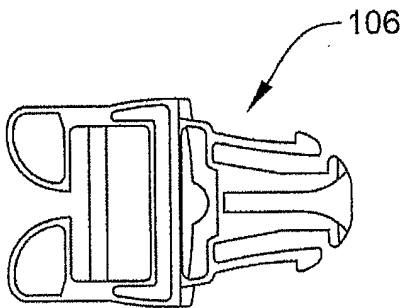


Fig. 34

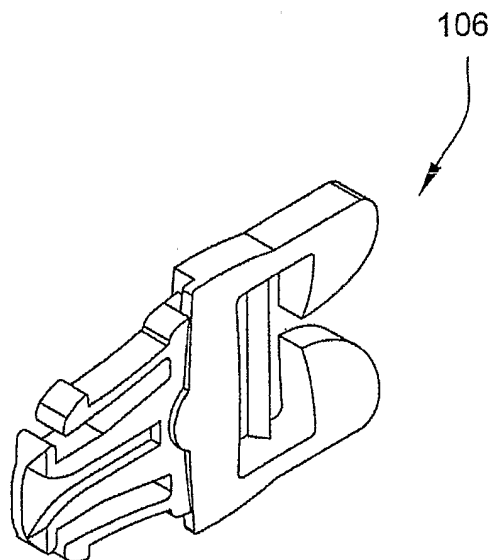


Fig. 33

41/49

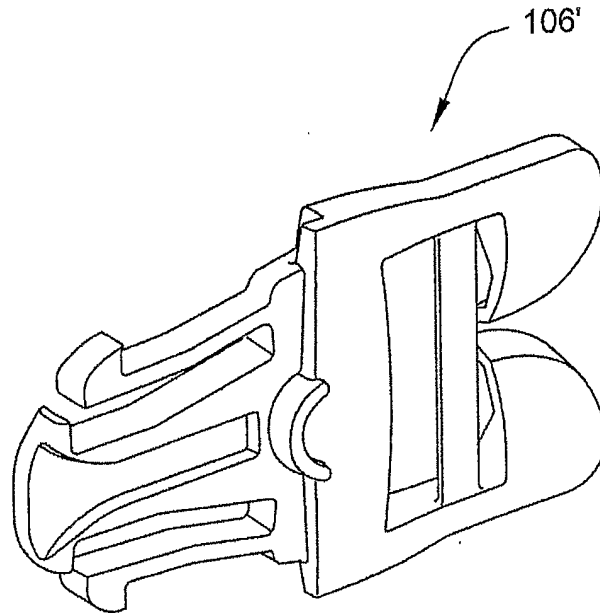


Fig. 34A

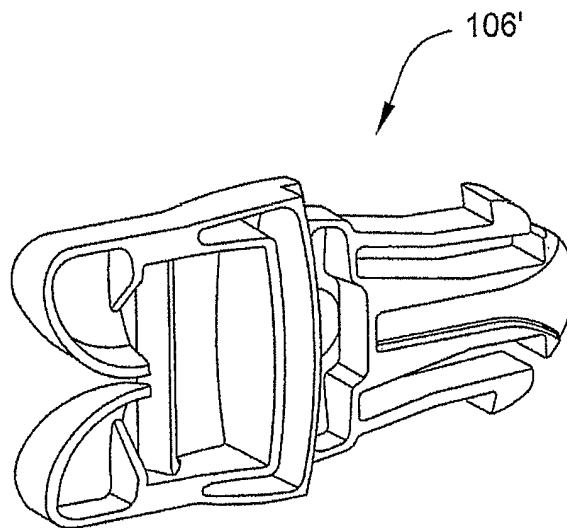


Fig. 34B

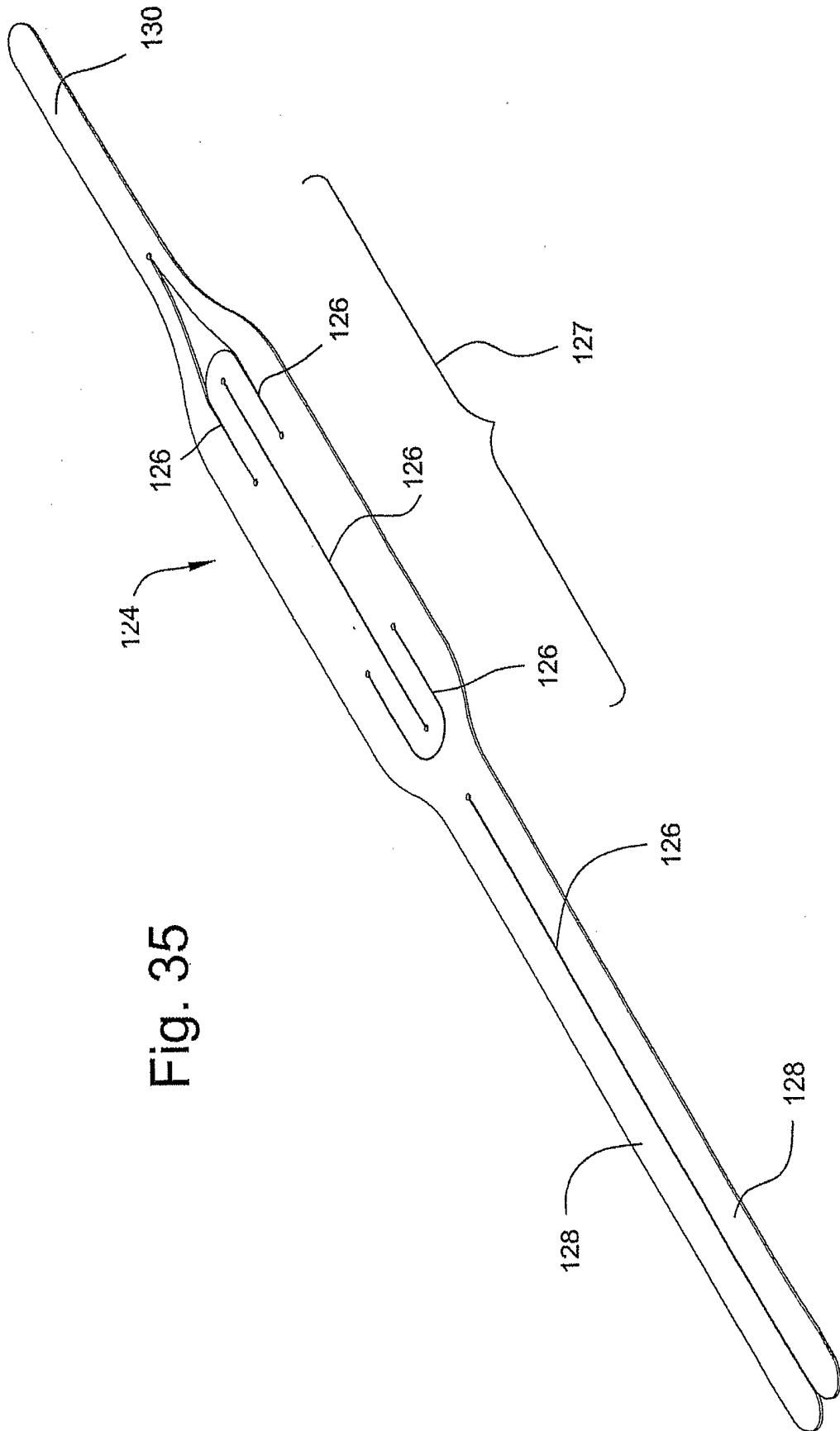


Fig. 35

43/49

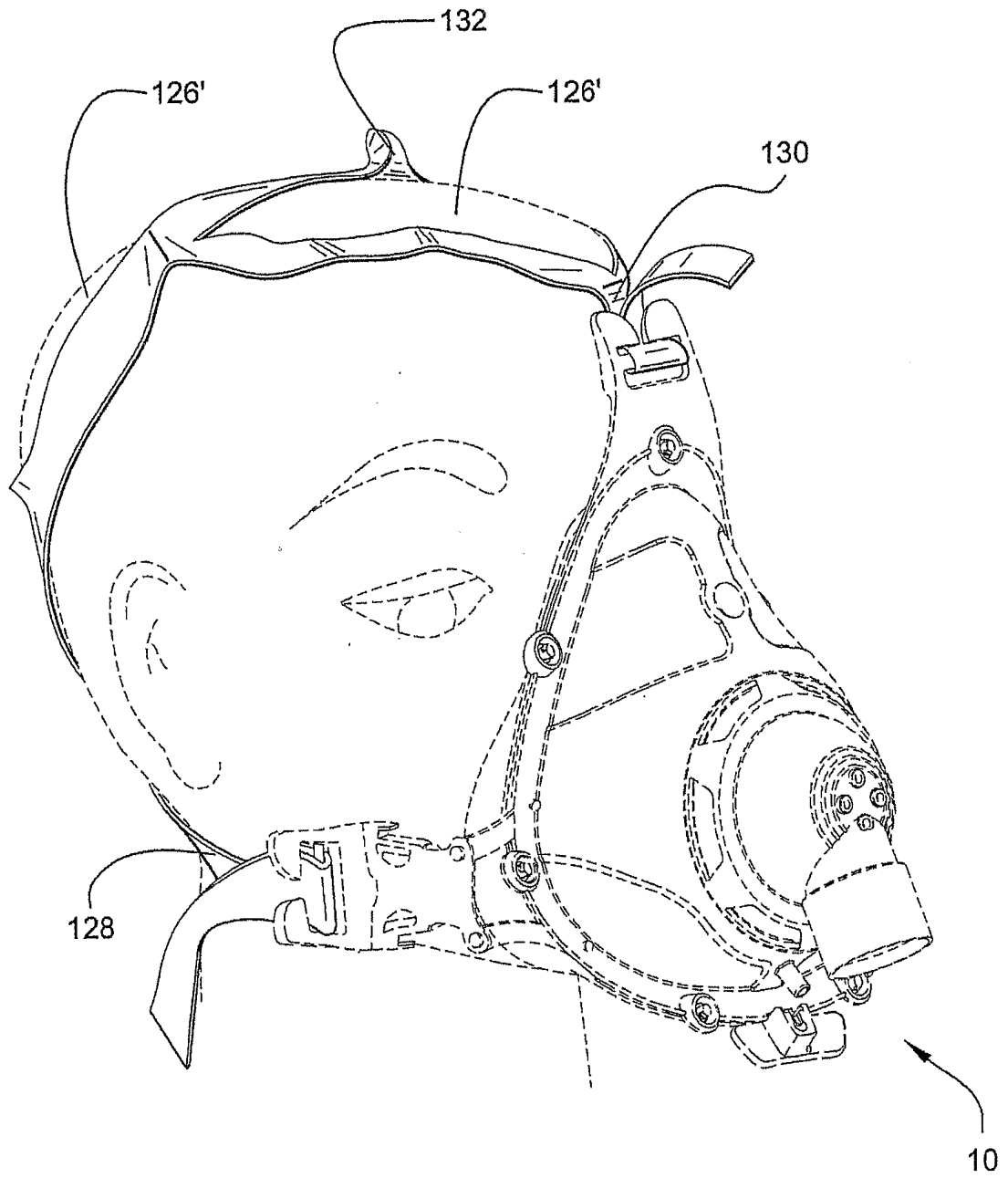


Fig. 36

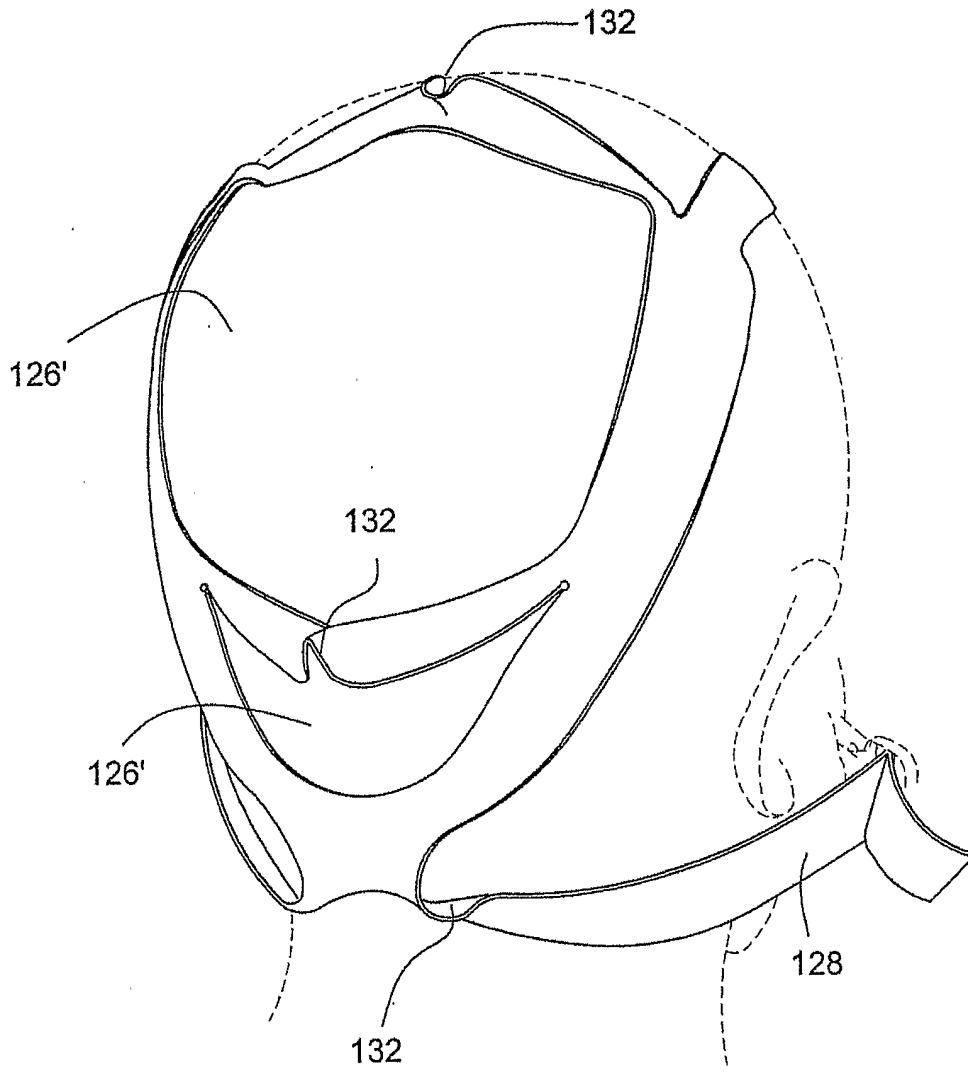


Fig. 37

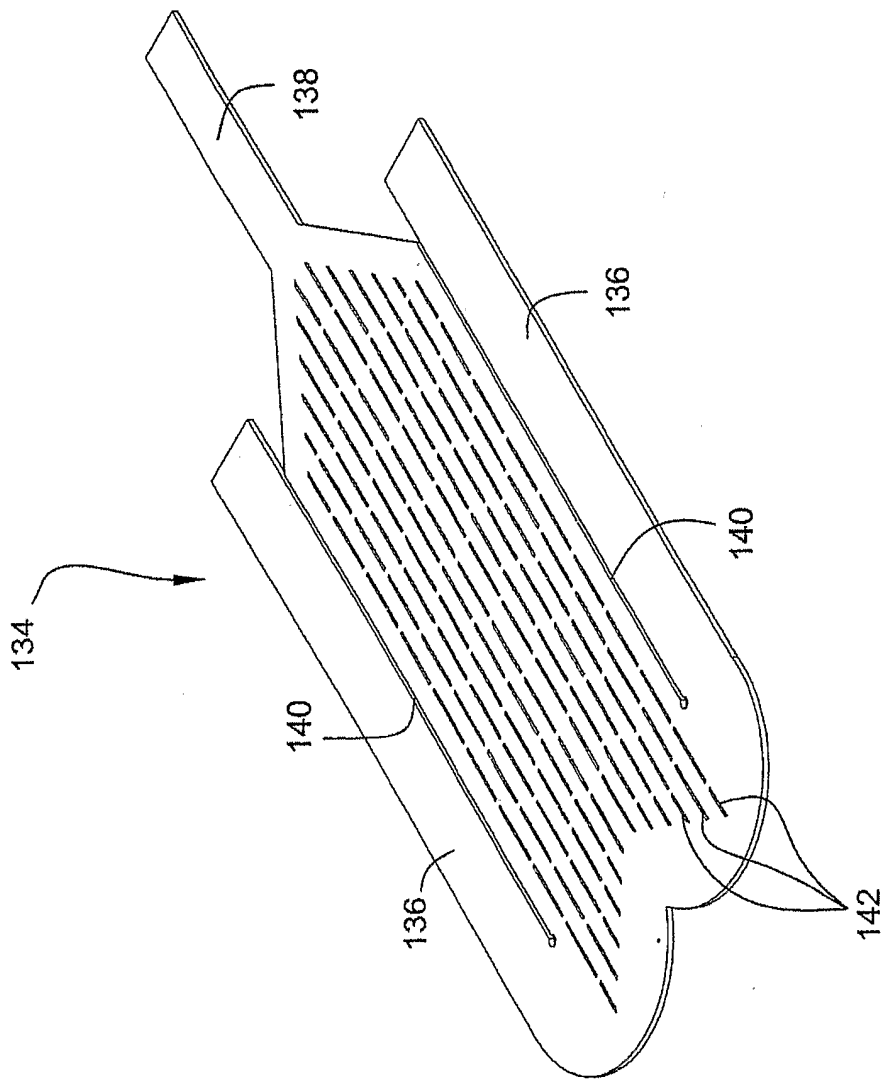


Fig. 38

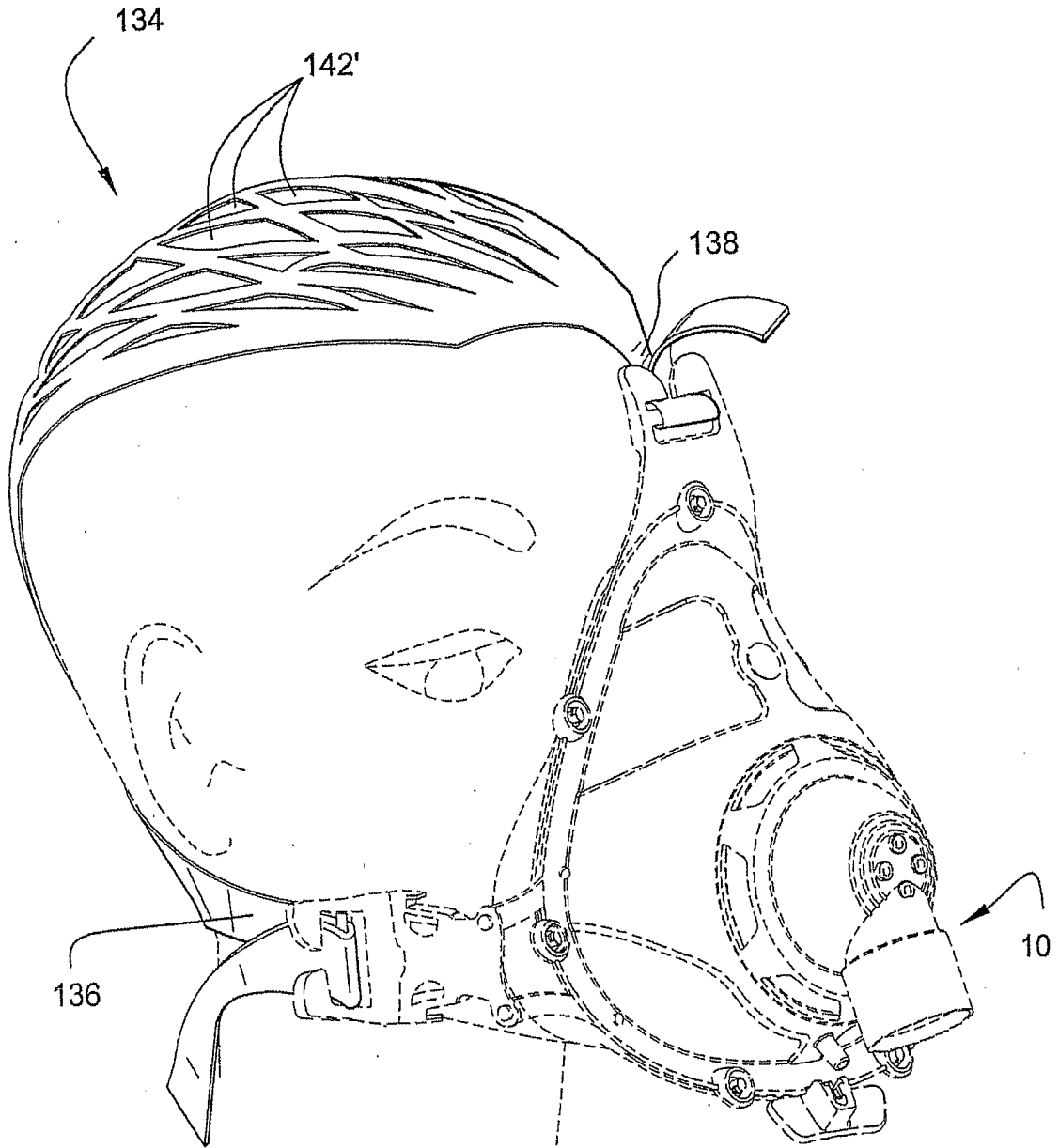


Fig. 39

47/49

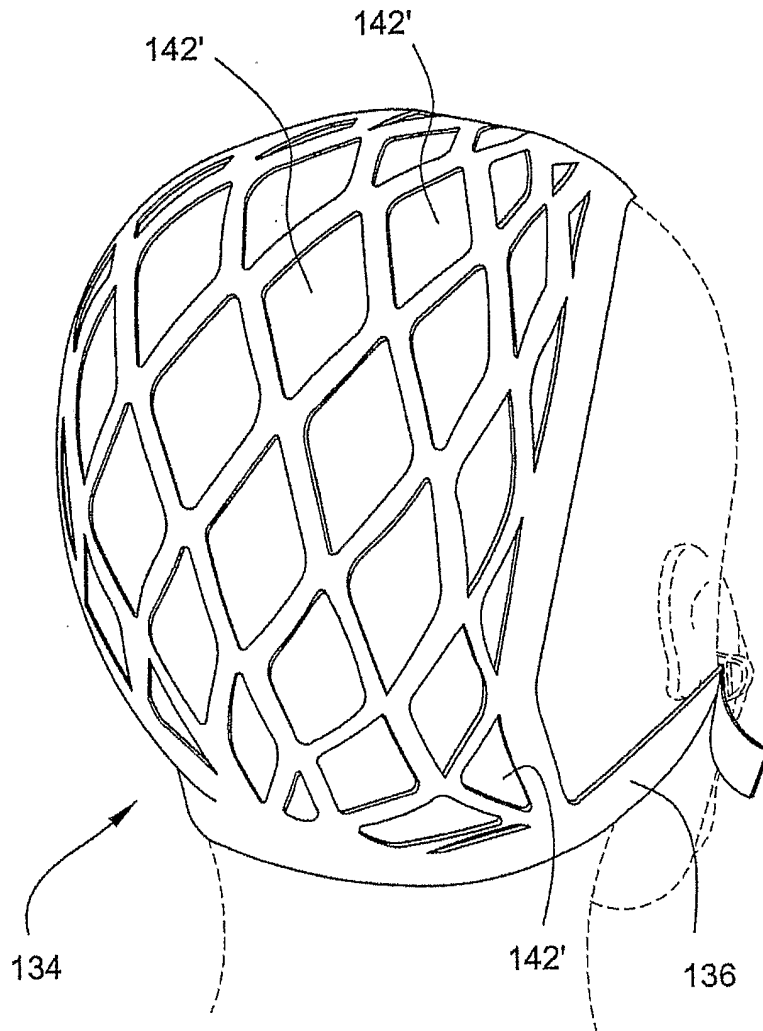


Fig. 40

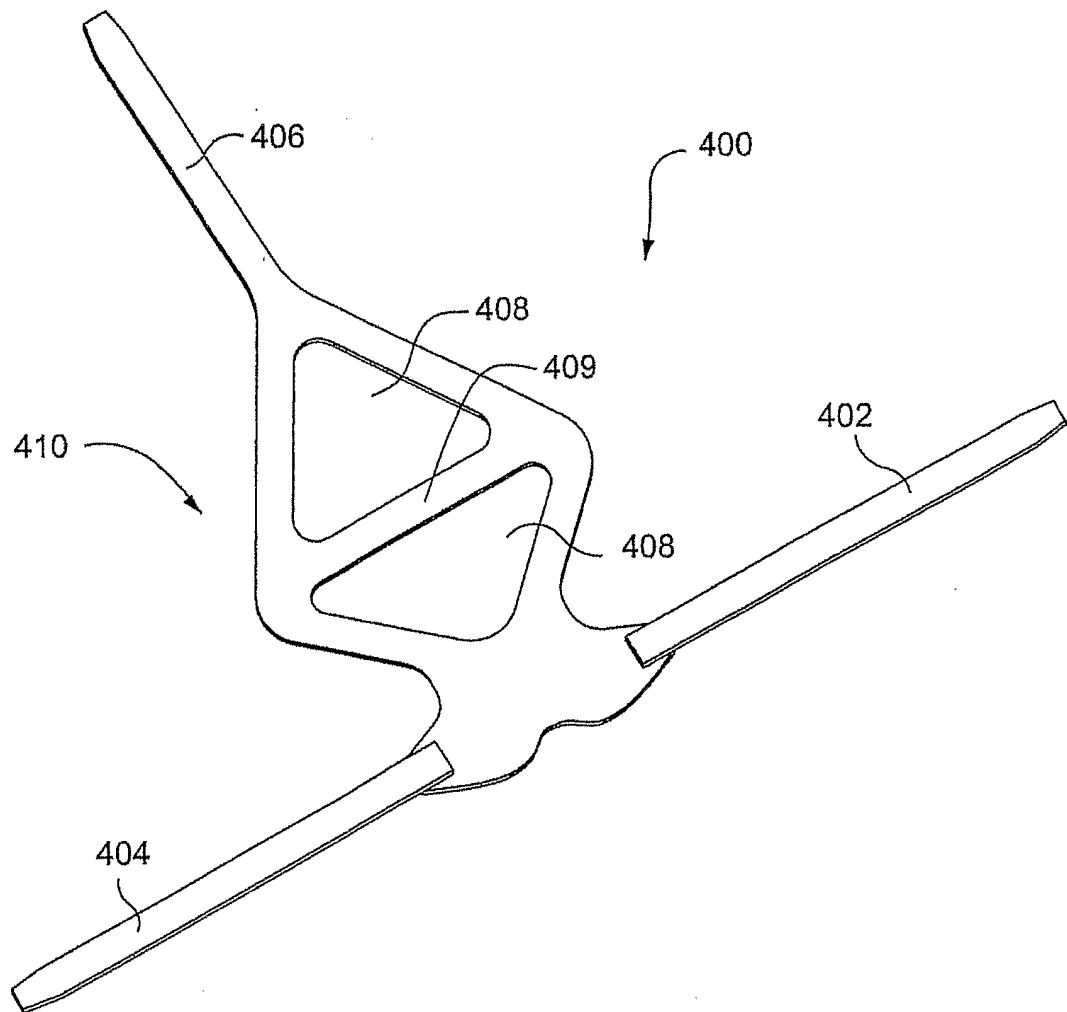


Fig. 41

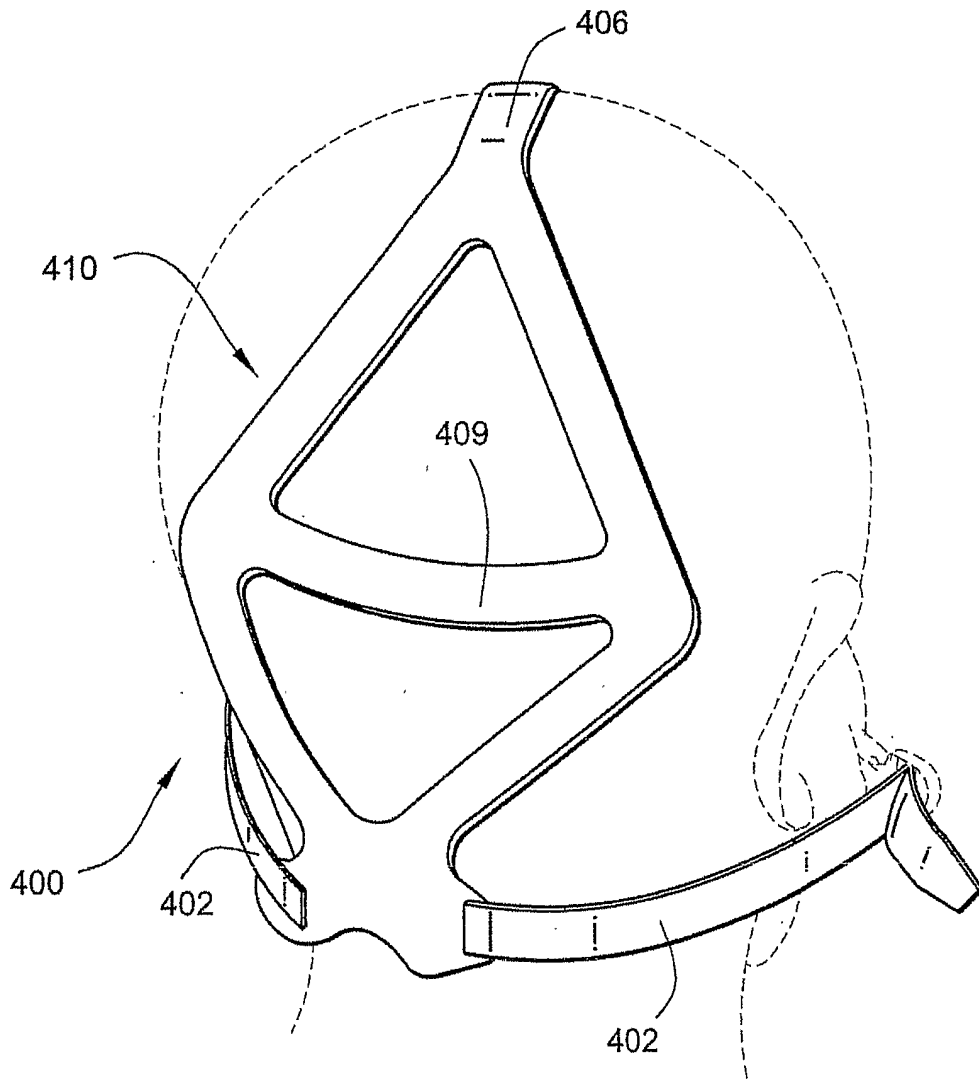


Fig. 42

INTERNATIONAL SEARCH REPORT

International application No.
PCT/AU2004/001760

A. CLASSIFICATION OF SUBJECT MATTER Int. Cl. ⁷ : A61M 16/06 According to International Patent Classification (IPC) or to both national classification and IPC		
B. FIELDS SEARCHED Minimum documentation searched (classification system followed by classification symbols) Documentation searched other than minimum documentation to the extent that such documents are included in the fields searched Electronic data base consulted during the international search (name of data base and, where practicable, search terms used) DWPI + keywords:(A61M 16/- A62B /- mask cushion flange clip remov+ disassembl+ hole gap rod fasten+ dispos+ (single use))		
C. DOCUMENTS CONSIDERED TO BE RELEVANT		
Category*	Citation of document, with indication, where appropriate, of the relevant passages	Relevant to claim No.
A	US 6412487 B1 (GUNARATNAM et al) 2 July 2002 Whole document	
A	US 2003/0075180 A1 (RAJE et al) 24 April 2003 Pages 1-19 and claims.	
<input type="checkbox"/> Further documents are listed in the continuation of Box C <input checked="" type="checkbox"/> See patent family annex		
* Special categories of cited documents:	"T" later document published after the international filing date or priority date and not in conflict with the application but cited to understand the principle or theory underlying the invention	
"A" document defining the general state of the art which is not considered to be of particular relevance	"X" document of particular relevance; the claimed invention cannot be considered novel or cannot be considered to involve an inventive step when the document is taken alone	
"E" earlier application or patent but published on or after the international filing date	"Y" document of particular relevance; the claimed invention cannot be considered to involve an inventive step when the document is combined with one or more other such documents, such combination being obvious to a person skilled in the art	
"L" document which may throw doubts on priority claim(s) or which is cited to establish the publication date of another citation or other special reason (as specified)	"&" document member of the same patent family	
"O" document referring to an oral disclosure, use, exhibition or other means		
"P" document published prior to the international filing date but later than the priority date claimed		
Date of the actual completion of the international search 12 January 2005	Date of mailing of the international search report : 3 rd FEB 2005	
Name and mailing address of the ISA/AU AUSTRALIAN PATENT OFFICE PO BOX 200, WODEN ACT 2606, AUSTRALIA E-mail address: pct@ipaaustralia.gov.au Facsimile No. (02) 6285 3929	Authorized officer Sue Thomas Telephone No : (02) 6283 2454	

INTERNATIONAL SEARCH REPORT

International application No.

PCT/AU2004/001760

Box No. II Observations where certain claims were found unsearchable (Continuation of item 2 of first sheet)

This international search report has not been established in respect of certain claims under Article 17(2)(a) for the following reasons:

1. Claims Nos.:
because they relate to subject matter not required to be searched by this Authority, namely:

2. Claims Nos.:
because they relate to parts of the international application that do not comply with the prescribed requirements to such an extent that no meaningful international search can be carried out, specifically:

3. Claims Nos.:
because they are dependent claims and are not drafted in accordance with the second and third sentences of Rule 6.4(a)

Box No. III Observations where unity of invention is lacking (Continuation of item 3 of first sheet)

This International Searching Authority found multiple inventions in this international application, as follows:

Claims 1-39 are directed to a mask assembly having a frame with a lateral flange providing a first hole, a cushion with a lateral flange providing a second hole, a cushion clip having a lateral flange, and the first special technical feature of a rod passing through first and second holes allowing its distal end to be secured to the frame to sandwich the cushion flange between the frame flange and cushion clip.

Continued on supplementary page

1. As all required additional search fees were timely paid by the applicant, this international search report covers all searchable claims.
2. As all searchable claims could be searched without effort justifying an additional fee, this Authority did not invite payment of any additional fee.
3. As only some of the required additional search fees were timely paid by the applicant, this international search report covers only those claims for which fees were paid, specifically claims Nos.:

4. No required additional search fees were timely paid by the applicant. Consequently, this international search report is restricted to the invention first mentioned in the claims; it is covered by claims Nos.:1-39

Remark on Protest

- The additional search fees were accompanied by the applicant's protest.
- No protest accompanied the payment of additional search fees.

INTERNATIONAL SEARCH REPORT

International application No.

PCT/AU2004/001760

Supplemental Box

(To be used when the space in any of Boxes I to VIII is not sufficient)

Continuation of Box No: III

Claims 40-45 are directed to a mask assembly having a frame, a cushion and headgear, the second special technical feature of a usage indicator for the condition of the mask on one of the three assembly items.

Claims 46-48 are directed to a mask assembly having a frame and a frame cushion secured by a cushion clip via a first connection, a swivel elbow connected to the frame via a second connection and the third special technical feature of at least one of the connections providing a one-way snap which will deform or break if disassembly is attempted.

Claims 49-57 are directed to headgear and method of making of a planar piece of material having the fourth special technical feature of one slit expandable to surround an occiput of a patient's head.

Claims 58-64 are directed to a mask assembly having a frame with an elbow connected including an inlet conduit and the fifth special technical feature of a valve member to allow breathing of ambient air and prevent backflow of gas towards inlet in unpressurized state.

The features held in common by the claims 1-48 and 58-64 are a mask assembly having a frame and a cushion. Since these features are provided by US 6513526, they cannot provide novelty or inventive step for this application.

Claims 49-57 do not include these items. None of the special technical features from above is shared by all the groups to provide a common novel feature for the application.

Consequently the application lacks unity of invention.

INTERNATIONAL SEARCH REPORT

International application No.

PCT/AU2004/001760

This Annex lists the known "A" publication level patent family members relating to the patent documents cited in the above-mentioned international search report. The Australian Patent Office is in no way liable for these particulars which are merely given for the purpose of information.

Patent Document Cited in Search Report		Patent Family Member					
US	2003075180	EP	1334742	JP	2003175106	WO	2004022147
US	6412487	AU	61522/01	EP	1187650	JP	2000279520
		NZ	526168	US	6112746	US	2002108613
		WO	0184979				

Due to data integration issues this family listing may not include 10 digit Australian applications filed since May 2001.END OF ANNEX