



US00D778336S

(12) **United States Design Patent**
Gioscia et al.

(10) **Patent No.:** **US D778,336 S**

(45) **Date of Patent:** **** Feb. 7, 2017**

(54) **CAMERA HOUSING**

(71) Applicant: **GoPro, Inc.**, San Mateo, CA (US)

(72) Inventors: **Richard Gioscia**, Santa Clara, CA (US); **Seungheon Lee**, Cupertino, CA (US); **Derek Yap**, San Carlos, CA (US); **Evan L. Coons**, San Mateo, CA (US); **Joshua P. Davies**, Fremont, CA (US)

(73) Assignee: **GoPro, Inc.**, San Mateo, CA (US)

(**) Term: **15 Years**

(21) Appl. No.: **29/557,076**

(22) Filed: **Mar. 4, 2016**

Related U.S. Application Data

(63) Continuation of application No. 29/516,749, filed on Feb. 5, 2015, now Pat. No. Des. 751,133, which is a continuation of application No. 29/491,394, filed on May 20, 2014, now Pat. No. Des. 725,169, which is a continuation of application No. 29/461,140, filed on Jul. 18, 2013, now Pat. No. Des. 710,921.

(51) **LOC (10) Cl.** **16-05**

(52) **U.S. Cl.**
USPC **D16/219**

(58) **Field of Classification Search**
USPC D16/200, 202-204, 208, 211, 218, 219, D16/237, 242; D3/263, 267, 268; 248/176.1, 187.1; 348/81, 360, 373-376, 348/835; 396/25, 27-29, 419, 535, 396/539-541
CPC G03B 15/03; G03B 17/02; G03B 17/04; G03B 17/08; G03B 17/56; G03B 19/04; H04N 5/2251; H04N 5/2252; H04N 5/2253; H04N 5/2254; A45C 11/38
See application file for complete search history.

(56) **References Cited**

U.S. PATENT DOCUMENTS

D321,704 S	11/1991	Leonard et al.	
D367,283 S	2/1996	Lyon et al.	
D419,296 S	1/2000	Shinano	
D425,092 S	5/2000	Eto et al.	
D453,177 S	1/2002	Uehara	
D540,669 S	4/2007	George et al.	
D550,742 S	9/2007	Ishii	
7,653,292 B2 *	1/2010	Yamaguchi	G03B 17/08 348/81
D616,479 S	5/2010	Ganahl, Jr.	
D621,432 S	8/2010	Yim	
D622,591 S	8/2010	Biesecker et al.	
D635,436 S	4/2011	Barton	
D635,437 S	4/2011	Barton	
D635,438 S	4/2011	Barton	

(Continued)

Primary Examiner — Susan E Krakower

Assistant Examiner — Ramzi Almatrahi

(74) *Attorney, Agent, or Firm* — Fenwick & West LLP

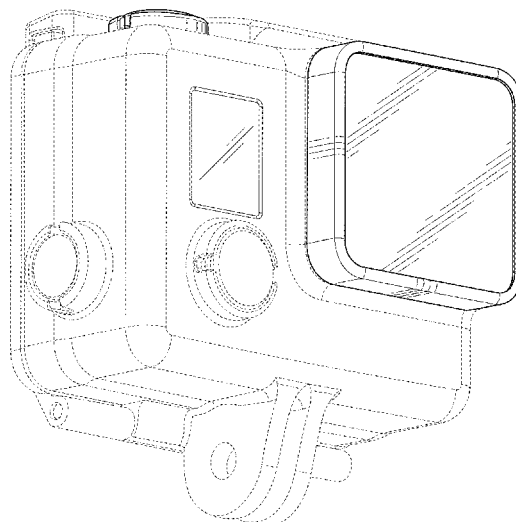
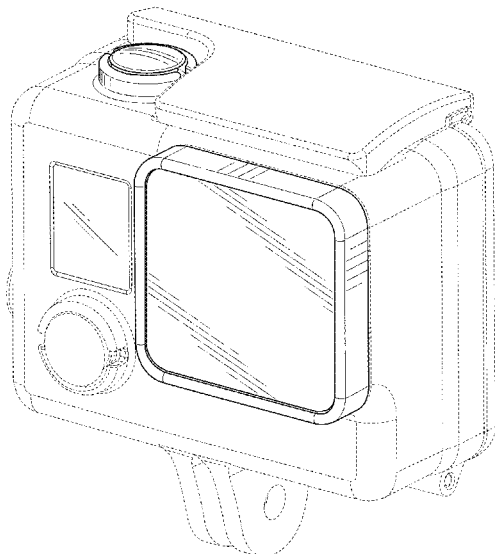
(57) **CLAIM**

The ornamental design for a camera housing, as shown and described.

DESCRIPTION

FIG. 1 is a front, top, and right side perspective view of a camera housing showing our new design;
FIG. 2 is a front, bottom and left side perspective view thereof;
FIG. 3 is a rear, bottom and right side perspective view thereof;
FIG. 4 is a front elevational view thereof;
FIG. 5 is a left side elevational view thereof;
FIG. 6 is a right side elevational view thereof;
FIG. 7 is a top plan view thereof; and,
FIG. 8 is a bottom plan view thereof.
The broken lines depict portions of a camera housing in which the design is embodied that form no part of the claimed design.

1 Claim, 8 Drawing Sheets



(56)

References Cited

U.S. PATENT DOCUMENTS

D635,439 S	4/2011	Barton	
D635,440 S	4/2011	Barton	
D642,054 S	7/2011	Samartgis	
D645,725 S	9/2011	Katz et al.	
8,014,656 B2	9/2011	Woodman	
D646,313 S	10/2011	Woodman	
D647,554 S	10/2011	Yim	
D657,808 S	4/2012	Woodman	
D657,811 S	4/2012	Woodman	
D674,428 S	1/2013	Woodman	
D674,429 S	1/2013	Woodman	
D684,569 S	6/2013	Willenborg	
8,544,643 B2	10/2013	Yim	
8,596,890 B2	12/2013	Yim et al.	
D699,947 S	2/2014	To et al.	
D700,778 S	3/2014	To et al.	
D702,276 S	4/2014	Woodman	
D702,277 S	4/2014	Woodman	
D702,747 S	4/2014	Woodman et al.	
D702,754 S *	4/2014	Bould	D16/237
D710,921 S	8/2014	Gioscia et al.	
D710,922 S	8/2014	Gioscia et al.	
8,870,475 B1	10/2014	Bennett et al.	
D719,811 S	12/2014	Cooper et al.	
D721,395 S *	1/2015	Woodman	D16/218
D724,638 S	3/2015	Samuels et al.	
D725,169 S	3/2015	Gioscia et al.	
9,004,783 B1	4/2015	Woodman et al.	
D732,593 S *	6/2015	Woodman	D16/200
D733,787 S	7/2015	Baker et al.	
D733,788 S *	7/2015	Baker	D16/237
D734,799 S	7/2015	Woodman et al.	
D735,260 S *	7/2015	Bould	D16/237
D739,451 S	9/2015	Gioscia et al.	
D740,868 S *	10/2015	Gioscia	D16/200
D740,876 S	10/2015	Woodman et al.	
D741,394 S *	10/2015	Gioscia	D16/200
D750,146 S *	2/2016	Costa	D16/200
D751,133 S *	3/2016	Gioscia	D16/219
D754,240 S *	4/2016	Samuels	D16/219
2003/0133206 A1	7/2003	Belefant	
2007/0071423 A1	3/2007	Fantone et al.	
2009/0317069 A1	12/2009	Yim	

* cited by examiner

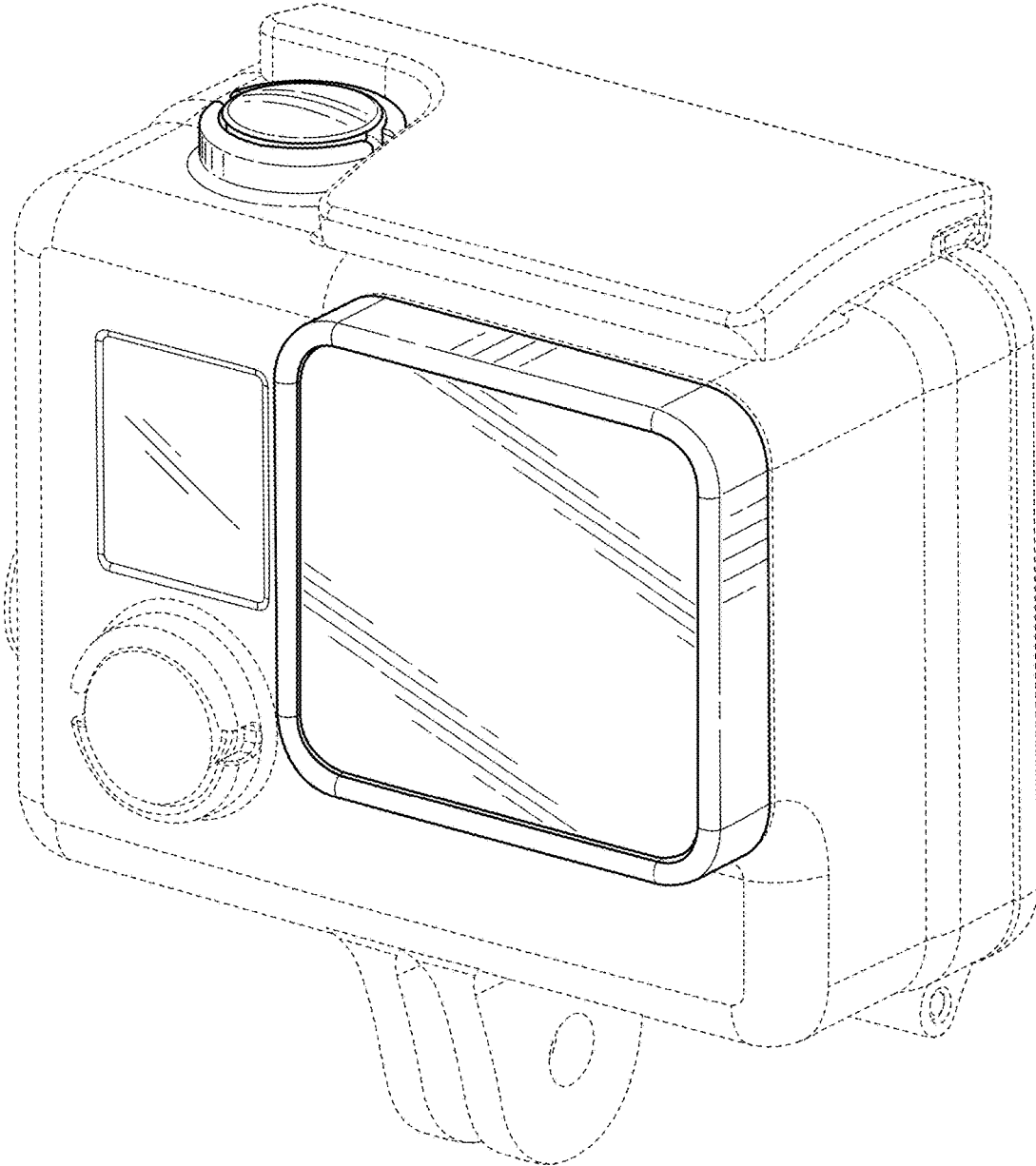


FIG. 1

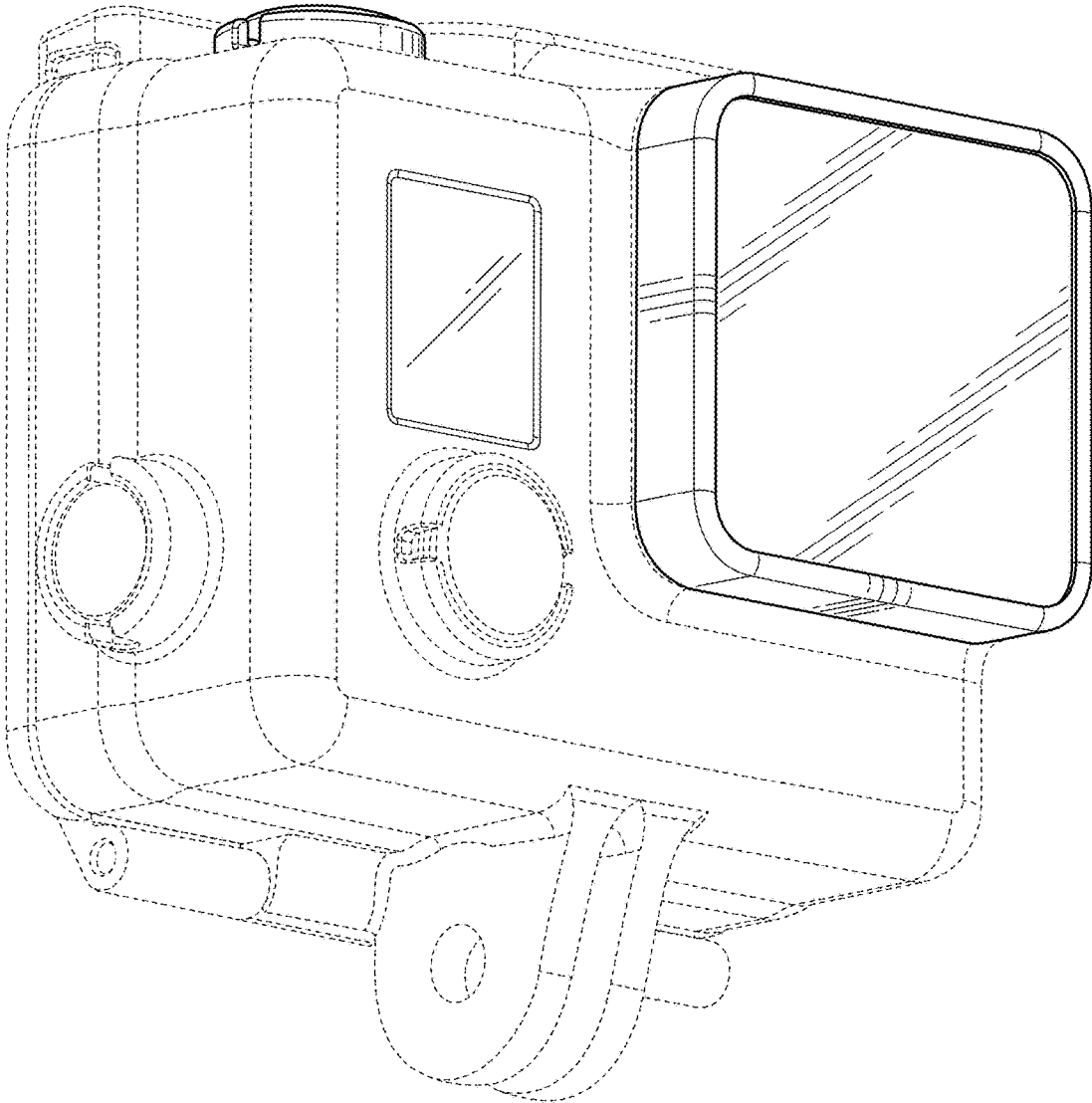


FIG. 2

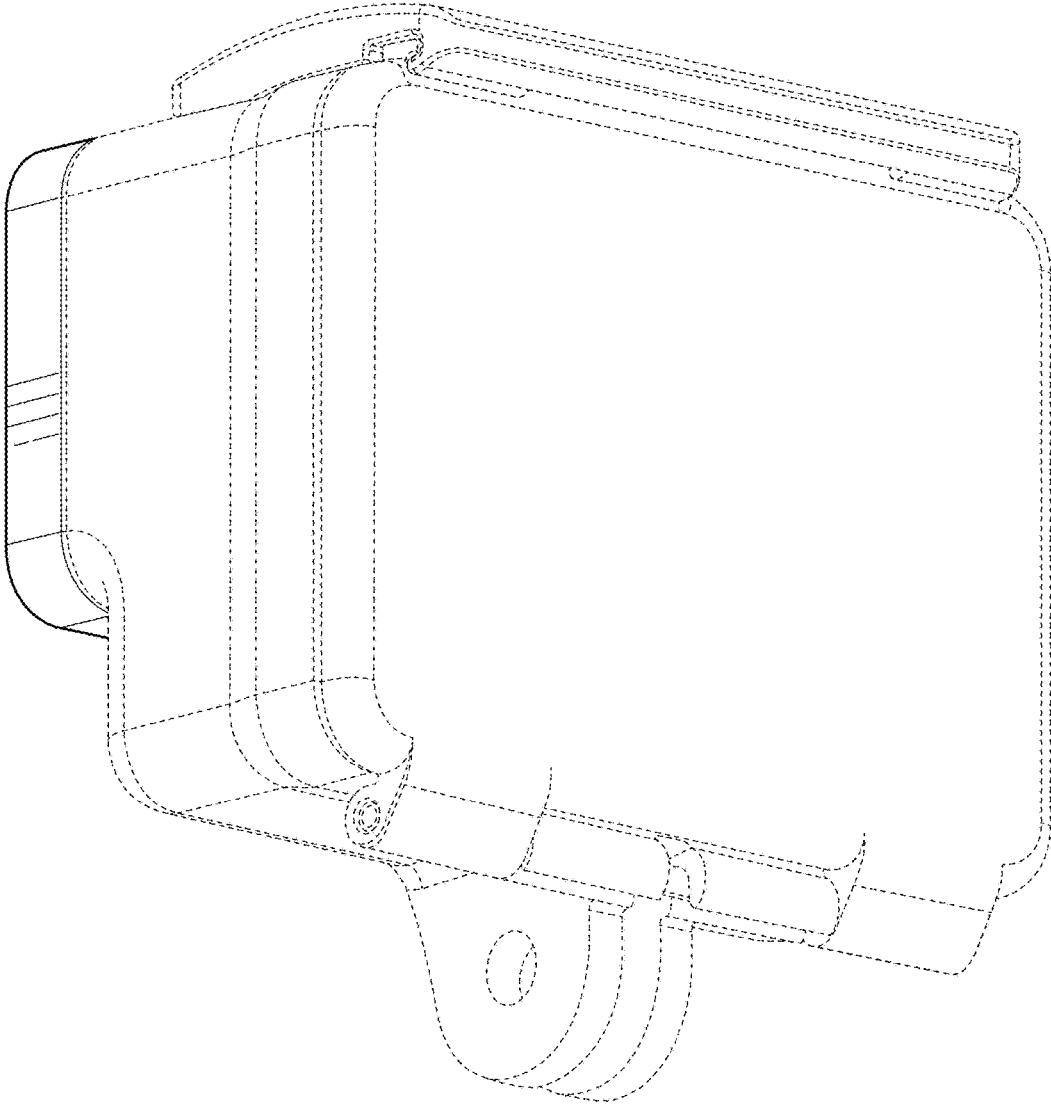


FIG. 3

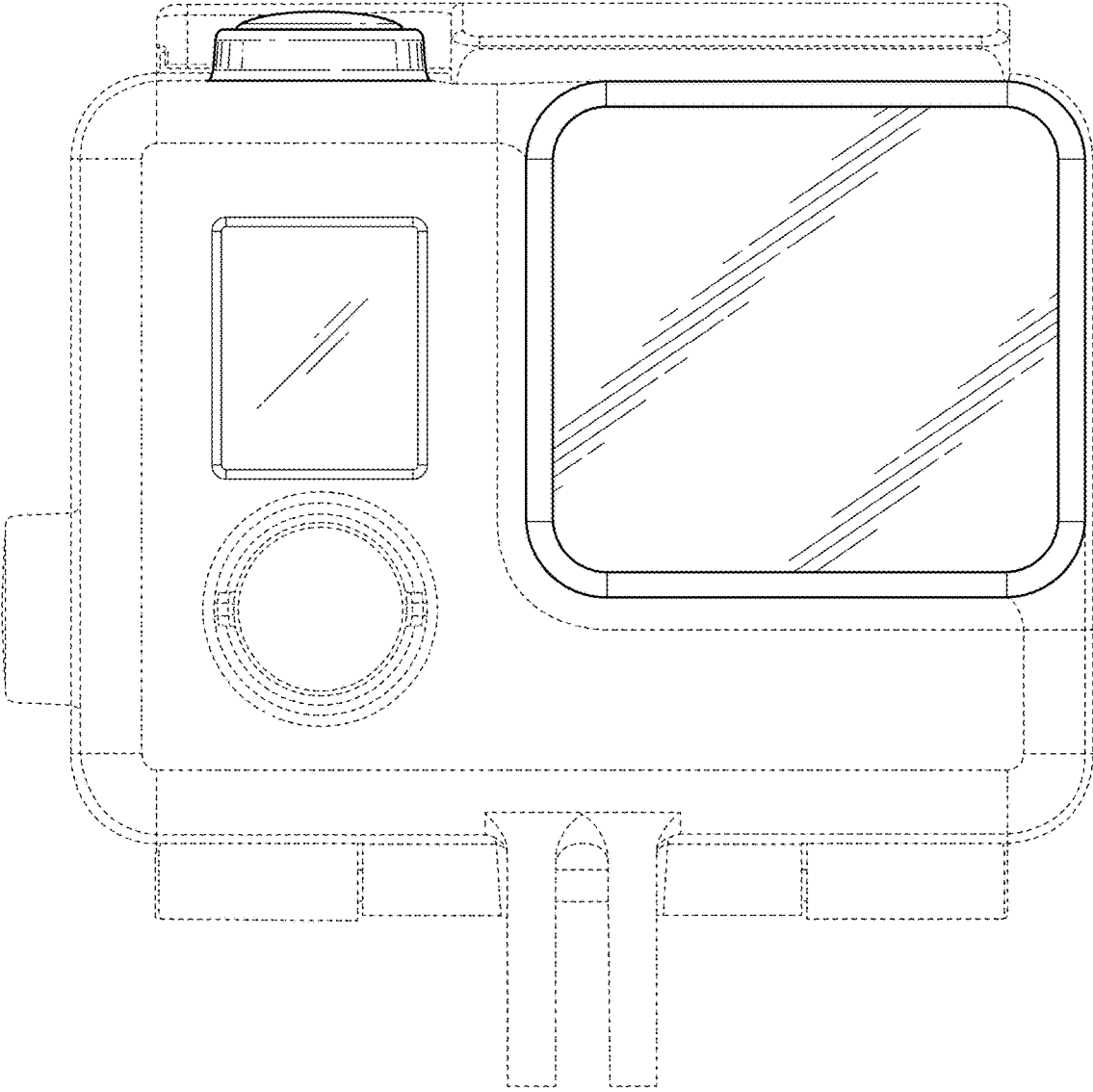


FIG. 4

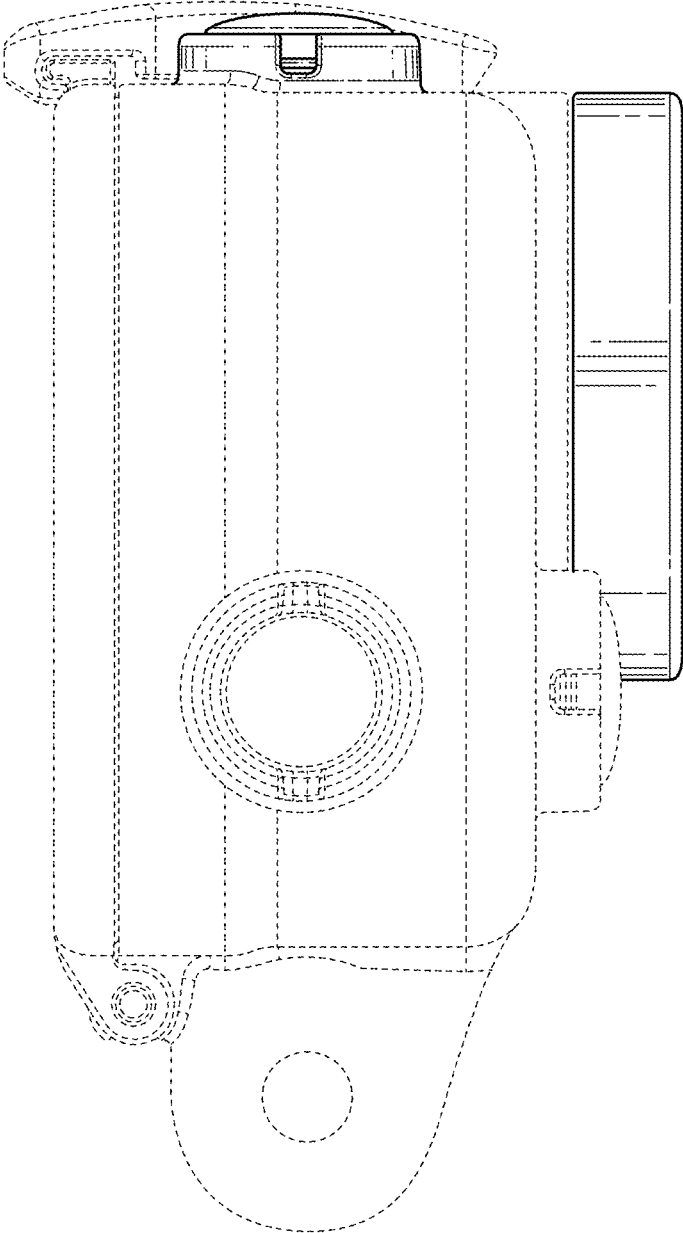


FIG. 5

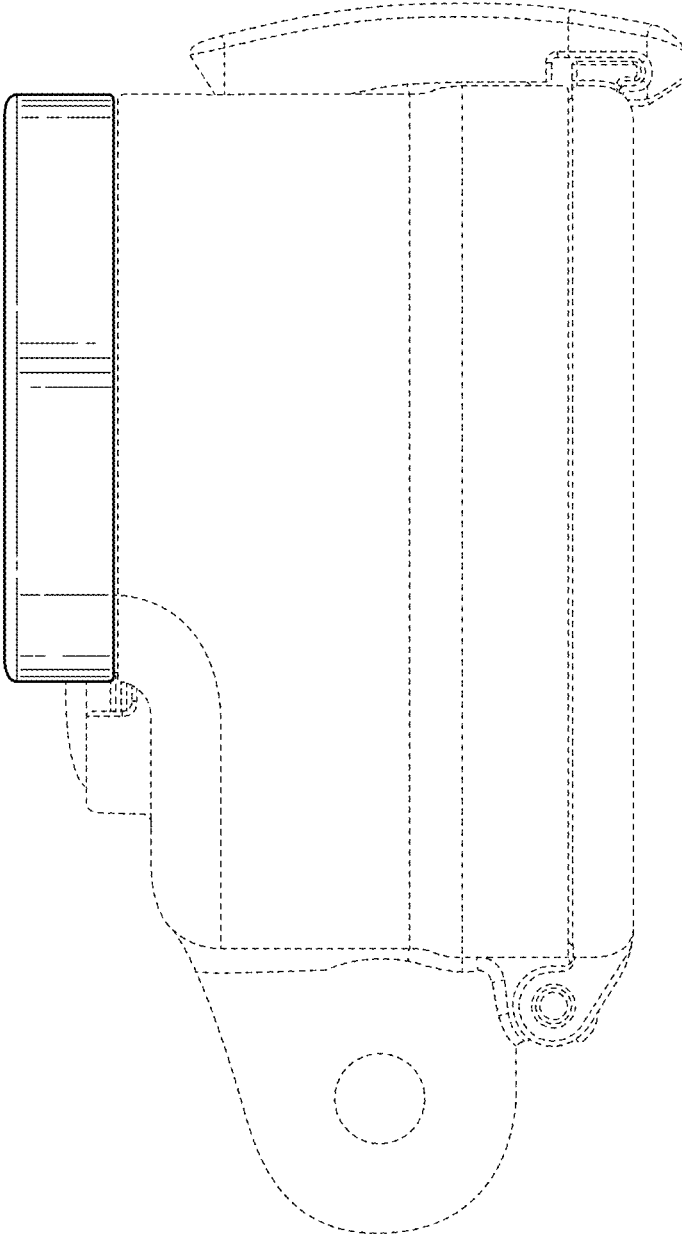


FIG. 6

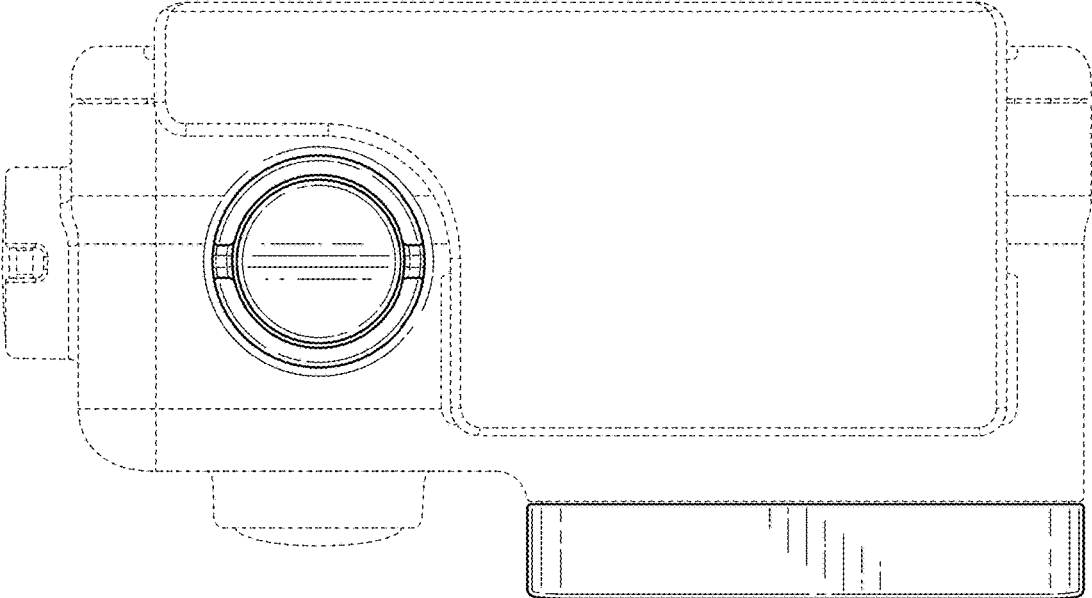


FIG. 7

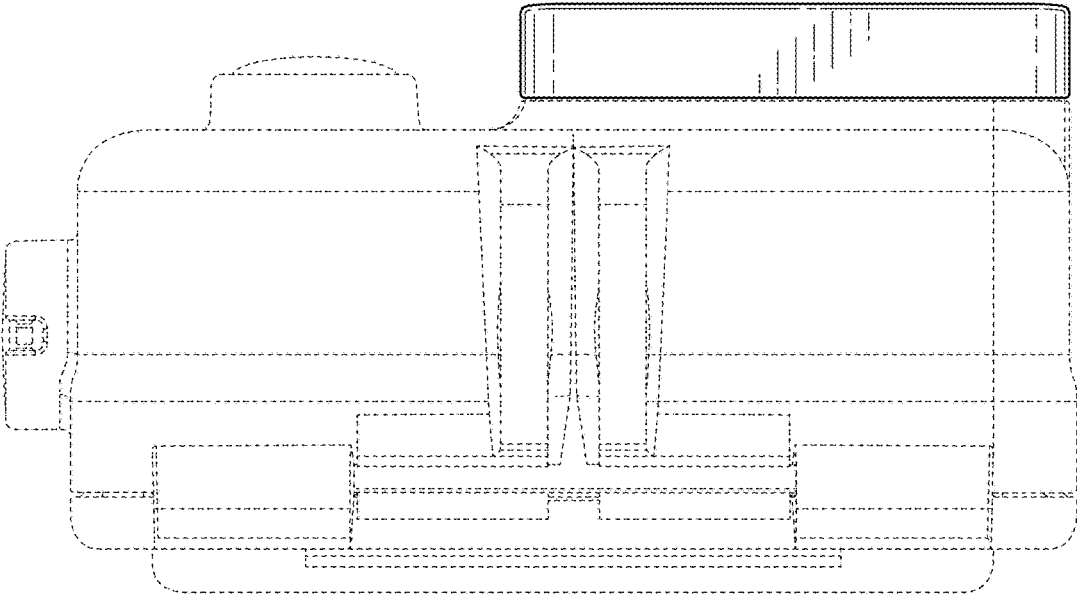


FIG. 8