

(19) World Intellectual Property Organization  
International Bureau



(43) International Publication Date  
9 February 2006 (09.02.2006)

PCT

(10) International Publication Number  
WO 2006/014319 A3

(51) International Patent Classification:

A23F 3/00 (2006.01) B65B 29/02 (2006.01)  
A23F 5/00 (2006.01)

(21) International Application Number:

PCT/US2005/023355

(22) International Filing Date: 1 July 2005 (01.07.2005)

(25) Filing Language: English

(26) Publication Language: English

(30) Priority Data:

60/585,451 2 July 2004 (02.07.2004) US  
11/170,613 29 June 2005 (29.06.2005) US

(63) Related by continuation (CON) or continuation-in-part (CIP) to earlier application:

US 11/170,613 (CON)  
Filed on 29 June 2005 (29.06.2005)

(71) Applicant and

(72) Inventor: MEADOR, Keith J. [US/US]; 1226 Ridge-wood Circle, Southlake, TX 76092 (US).

(74) Agents: TAYLOR, Michael L. et al.; HARNESS, DICKEY & PIERCE PLC, P. O. Box 828, Bloomfield Hills, Michigan 48303 (US).

(81) Designated States (unless otherwise indicated, for every kind of national protection available): AE, AG, AL, AM,

AT, AU, AZ, BA, BB, BG, BR, BW, BY, BZ, CA, CH, CN, CO, CR, CU, CZ, DE, DK, DM, DZ, EC, EE, EG, ES, FI, GB, GD, GE, GH, GM, HR, HU, ID, IL, IN, IS, JP, KE, KG, KM, KP, KR, KZ, LC, LK, LR, LS, LT, LU, LV, MA, MD, MG, MK, MN, MW, MX, MZ, NA, NG, NI, NO, NZ, OM, PG, PH, PL, PT, RO, RU, SC, SD, SE, SG, SK, SL, SM, SY, TJ, TM, TN, TR, TT, TZ, UA, UG, US (patent), UZ, VC, VN, YU, ZA, ZM, ZW.

(84) Designated States (unless otherwise indicated, for every kind of regional protection available): ARIPO (BW, GH, GM, KE, LS, MW, MZ, NA, SD, SL, SZ, TZ, UG, ZM, ZW), Eurasian (AM, AZ, BY, KG, KZ, MD, RU, TJ, TM), European (AT, BE, BG, CH, CY, CZ, DE, DK, EE, ES, FI, FR, GB, GR, HU, IE, IS, IT, LT, LU, LV, MC, NL, PL, PT, RO, SE, SI, SK, TR), OAPI (BF, BJ, CF, CG, CI, CM, GA, GN, GQ, GW, ML, MR, NE, SN, TD, TG).

Published:

— with international search report

(88) Date of publication of the international search report:

13 July 2006

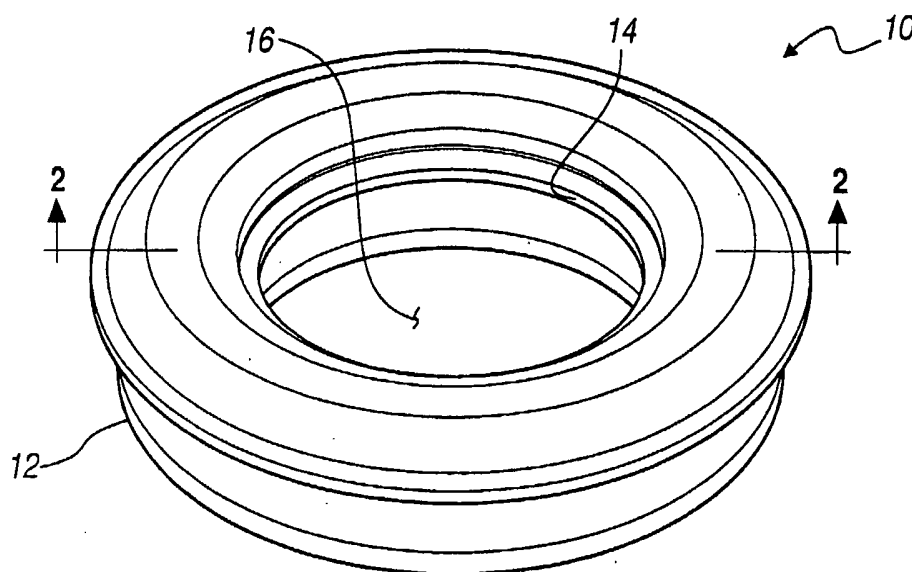
(15) Information about Correction:

Previous Correction:

see PCT Gazette No. 12/2006 of 23 March 2006

For two-letter codes and other abbreviations, refer to the "Guidance Notes on Codes and Abbreviations" appearing at the beginning of each regular issue of the PCT Gazette.

(54) Title: METHOD AND APPARATUS FOR PREPARING A BEVERAGE



(57) Abstract: A method and apparatus for producing a beverage product. The beverage product may be produced by moving a solvent through a beverage ingredient package or moving an ingredient from a beverage ingredient package in a selected manner (Figure 1).

WO 2006/014319 A3

**INTERNATIONAL SEARCH REPORT**

International application No.

PCT/US05/23355

**A. CLASSIFICATION OF SUBJECT MATTER**

IPC: A23F 3/00( 2006.01),5/00( 2006.01);B65B 29/02( 2006.01)

USPC: 426/433,78

According to International Patent Classification (IPC) or to both national classification and IPC

**B. FIELDS SEARCHED**

Minimum documentation searched (classification system followed by classification symbols)  
U.S. : 426/433, 78

Documentation searched other than minimum documentation to the extent that such documents are included in the fields searched

Electronic data base consulted during the international search (name of data base and, where practicable, search terms used)

**C. DOCUMENTS CONSIDERED TO BE RELEVANT**

Category *	Citation of document, with indication, where appropriate, of the relevant passages	Relevant to claim No.
X	US 5079396 A (KATZ et al) 07 January 1992 (07.01.1992), see entire document.	1-5 and 10-14
---		-----
A		6-9
X	US 2834680 A (JENNY) 13 May 1958 (13.05.1958), see entire document.	15 and 16
X	US 6235317 A (PINTZ et al ) 22 May 2001 (22.05.01), see entire document.	15-17
X	US 4903585 A (WIMMERS et al) 27 February 1990 (27.02.1990), see entire document.	18

Further documents are listed in the continuation of Box C.

See patent family annex.

* Special categories of cited documents:	"T"	later document published after the international filing date or priority date and not in conflict with the application but cited to understand the principle or theory underlying the invention
"A" document defining the general state of the art which is not considered to be of particular relevance	"X"	document of particular relevance; the claimed invention cannot be considered novel or cannot be considered to involve an inventive step when the document is taken alone
"E" earlier application or patent published on or after the international filing date	"Y"	document of particular relevance; the claimed invention cannot be considered to involve an inventive step when the document is combined with one or more other such documents, such combination being obvious to a person skilled in the art
"L" document which may throw doubts on priority claim(s) or which is cited to establish the publication date of another citation or other special reason (as specified)	"&"	document member of the same patent family
"O" document referring to an oral disclosure, use, exhibition or other means		
"P" document published prior to the international filing date but later than the priority date claimed		

Date of the actual completion of the international search

06 April 2006 (06.04.2006)

Date of mailing of the international search report

26 APR 2006

Name and mailing address of the ISA/US

Mail Stop PCT, Attn: ISA/US  
Commissioner of Patents  
P.O. Box 1450  
Alexandria, Virginia 22313-1450

Facsimile No. (571) 273-3201

Authorized officer

Anthony Weier

Telephone No. 571-272-1700