



US0D1000729S

(12) **United States Design Patent**
Wu

(10) **Patent No.:** **US D1,000,729 S**

(45) **Date of Patent:** **** Oct. 3, 2023**

- (54) **TOY FOR PETS**
- (71) Applicant: **Kadtc Pet Supplies INC**, Los Angeles, CA (US)
- (72) Inventor: **Changli Wu**, Linyi (CN)
- (73) Assignee: **Kadtc Pet Supplies INC**, Los Angeles, CA (US)

D897,449 S * 9/2020 Xu D21/392
 D915,520 S * 4/2021 Peeters D21/360
 D916,197 S * 4/2021 Peeters D21/360
 D922,003 S * 6/2021 Gick
 D937,353 S * 11/2021 Peeters A63F 3/00895
 D21/360

D945,088 S 3/2022 Wu
 (Continued)

- (**) Term: **15 Years**
- (21) Appl. No.: **29/874,841**
- (22) Filed: **Apr. 26, 2023**

CN 308028371 * 5/2023
 EM 015020215-0003 * 5/2023
 GB 6279512 * 5/2023

FOREIGN PATENT DOCUMENTS

(30) **Foreign Application Priority Data**

Nov. 29, 2022 (CN) 202230797231.5

- (51) **LOC (14) CL.** **30-12**
- (52) **U.S. CL.**
USPC **D30/160**

- (58) **Field of Classification Search**
USPC D30/121, 122, 130, 131, 132, 133, 160,
D30/199; D3/203.1, 203.2, 203.3, 203.4;
D21/300, 324, 334, 340, 341, 342, 345,
D21/346, 362, 365, 366, 370, 374, 375,
D21/456, 468, 470, 475, 478, 479
CPC A01K 15/02; A01K 15/025; A01K 15/026;
A01K 5/0114; A01K 5/025; A01K 5/0291
See application file for complete search history.

Kadtc Rubik's Cube Dog Puzzle Toy Level 3 in 1; posting date unavailable, retrieved Jul. 21, 2023 [online]. URL: <https://www.puzzledogtoy.com/goodsInfo34.html> (Year: 2023).*

(Continued)

Primary Examiner — Sheryl Lane
Assistant Examiner — Emily A Caven
 (74) *Attorney, Agent, or Firm* — Jeenam Park

(57) **CLAIM**

The ornamental design for a toy for pets, as shown and described.

DESCRIPTION

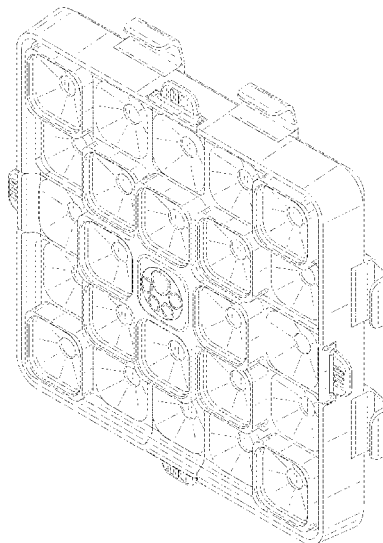
FIG. 1 is a front, right and top perspective view of a toy for pets, showing my new design;
 FIG. 2 is a rear, left and bottom perspective view thereof;
 FIG. 3 is a front view thereof;
 FIG. 4 is a rear view thereof;
 FIG. 5 is a left side view thereof;
 FIG. 6 is a right side view thereof;
 FIG. 7 is a top plan view thereof; and,
 FIG. 8 is a bottom plan view thereof.

(56) **References Cited**

U.S. PATENT DOCUMENTS

D232,646 S * 9/1974 Stubbmann D21/348
 D242,055 S * 10/1976 Brown 273/270
 D285,318 S * 8/1986 Propsom D21/341
 4,624,464 A * 11/1986 Propsom A63F 3/00895
 273/284
 D288,697 S * 3/1987 Newton D21/341
 D563,610 S 3/2008 Leo
 D854,259 S 7/2019 Baiocchi

1 Claim, 8 Drawing Sheets



(56)

References Cited

U.S. PATENT DOCUMENTS

D991,585 S * 7/2023 Wu D30/160
D992,222 S * 7/2023 Ye D30/160

OTHER PUBLICATIONS

Kadtc Rubik's Cube Dog Puzzle Toy Level 3 in 1 Dogs Brain Stimulating Toys Food Feeder Dispenser; posted Mar. 22, 2023, retrieved Jul. 21, 2023 [online]. URL: <https://www.youtube.com/watch?v=vmJEsXyUF6g> (Year: 2023).*

* cited by examiner

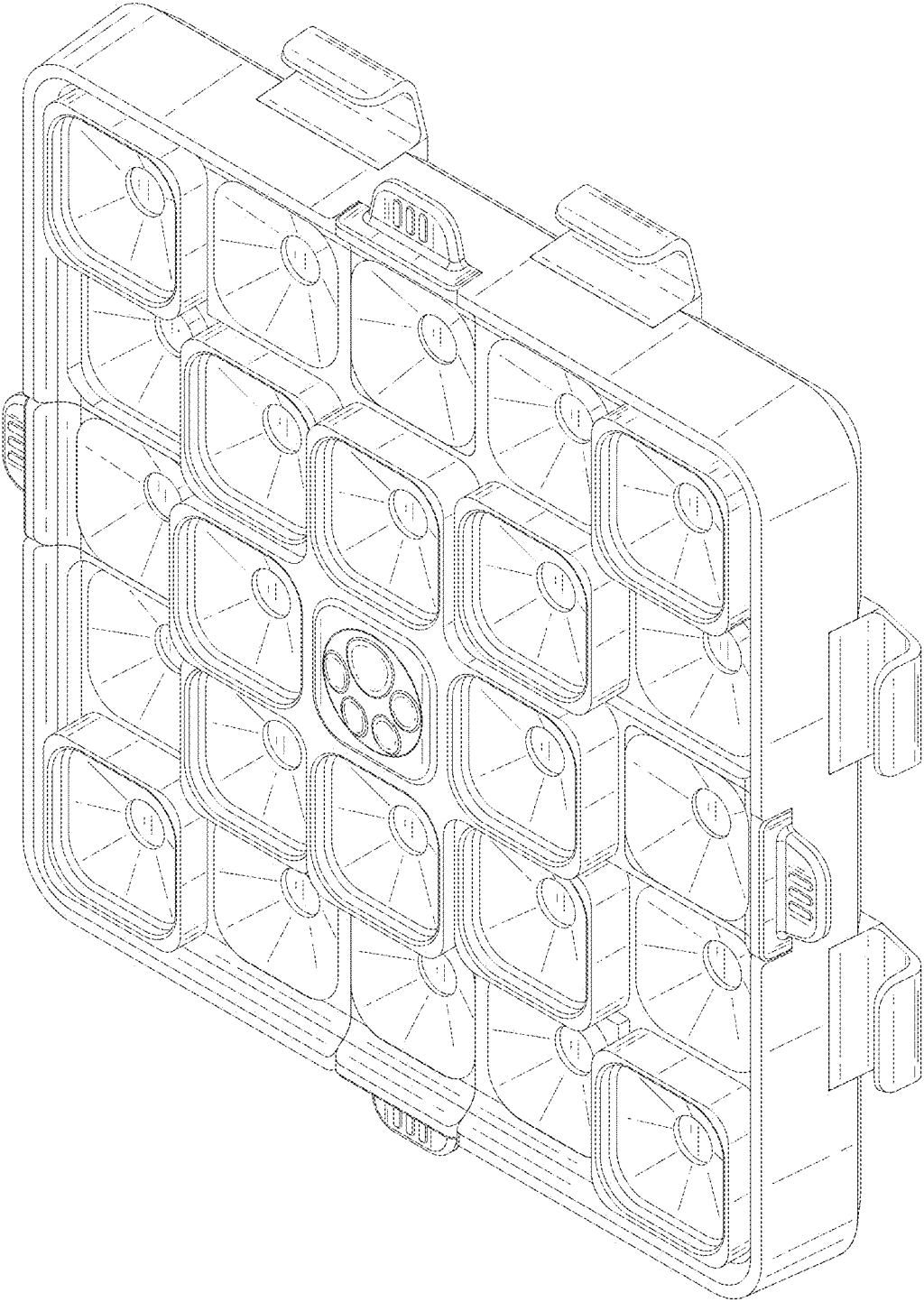


FIG. 1

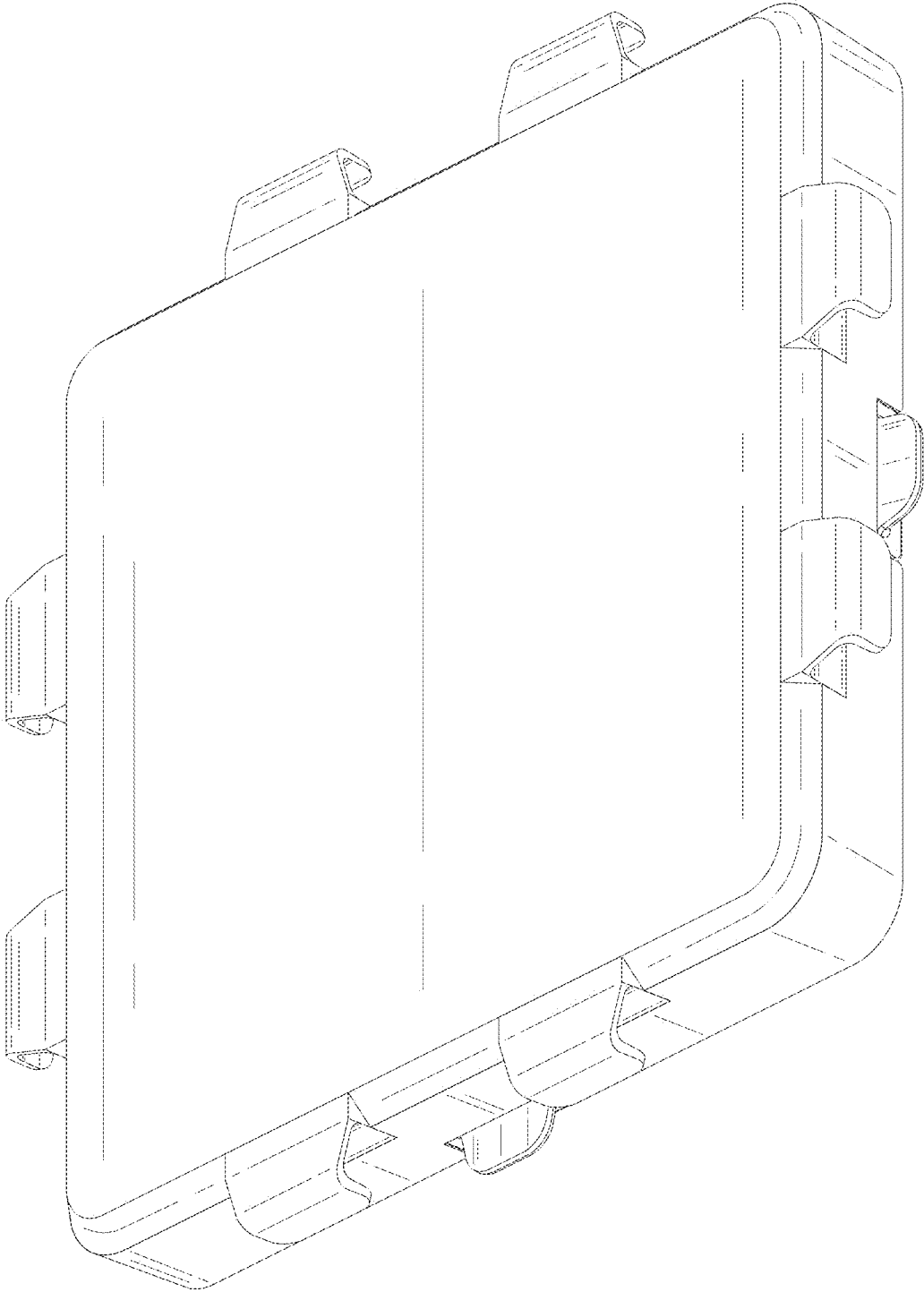


FIG. 2

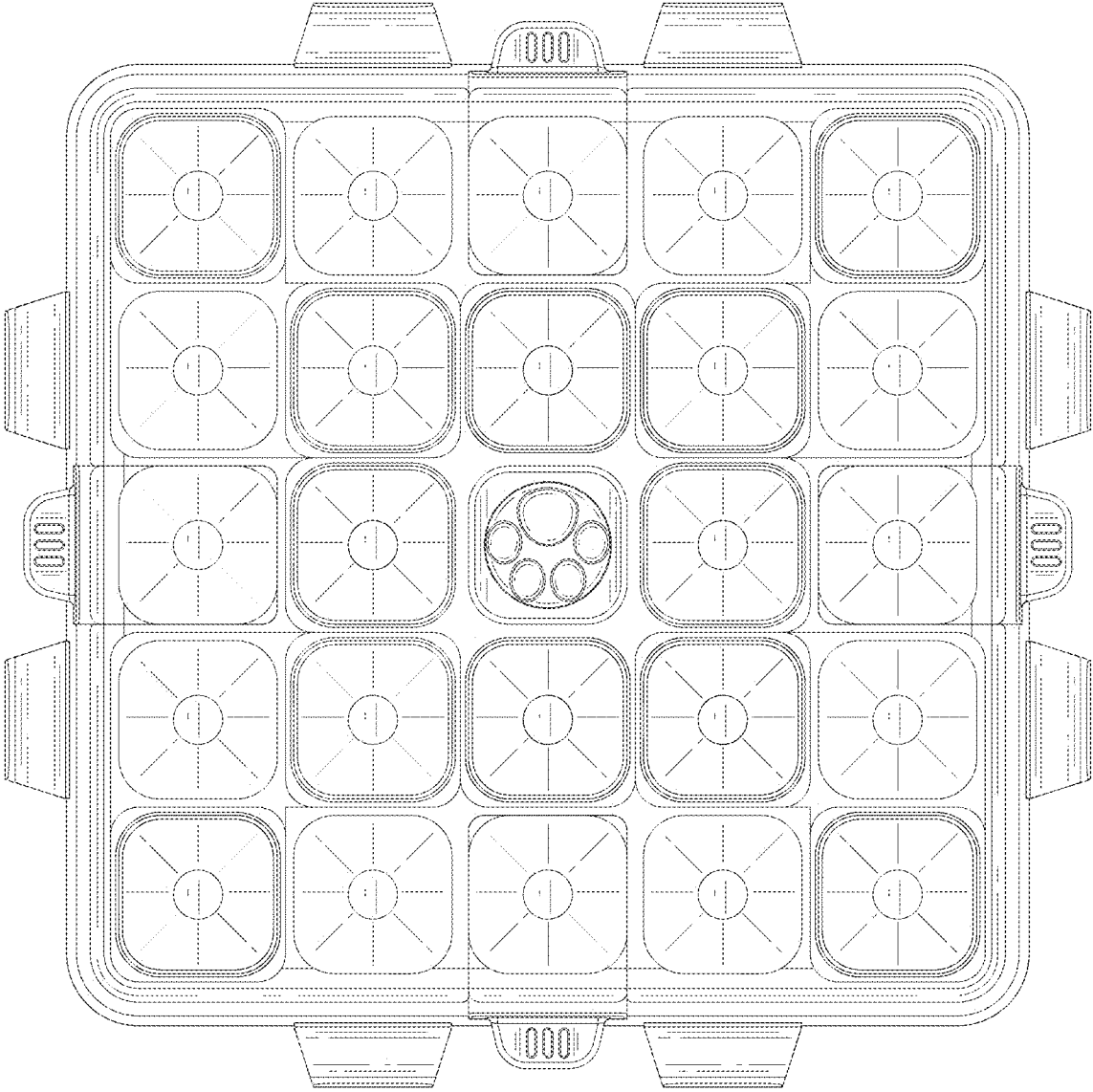


FIG. 3

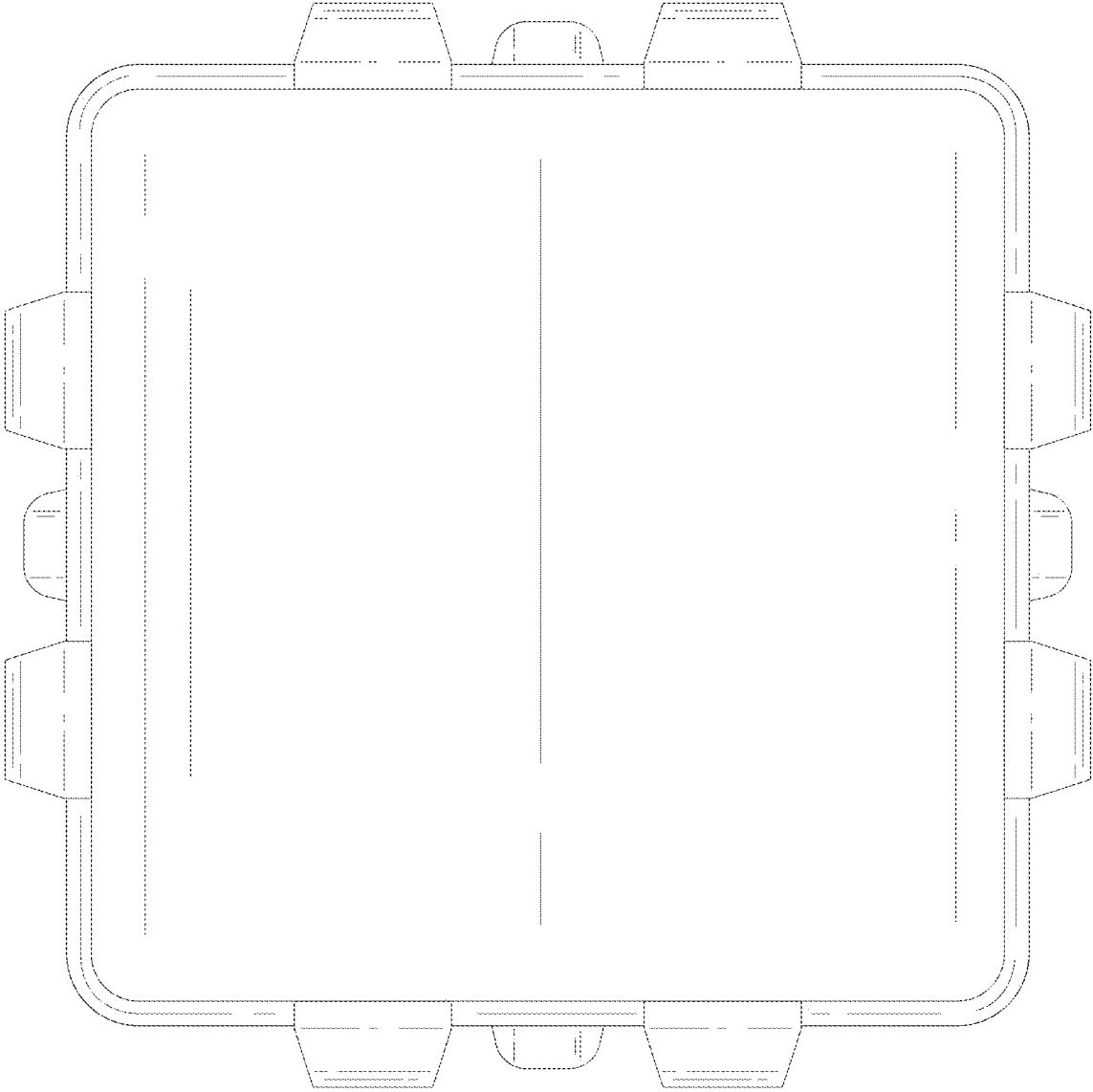


FIG. 4

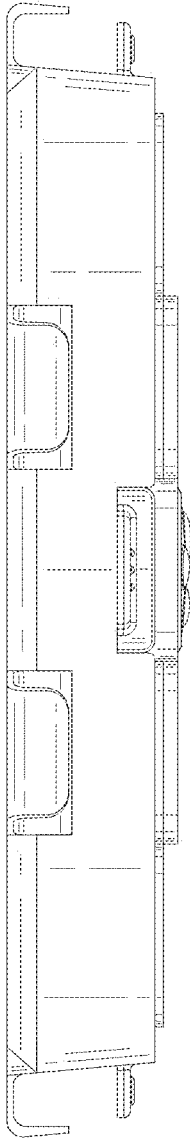


FIG. 5

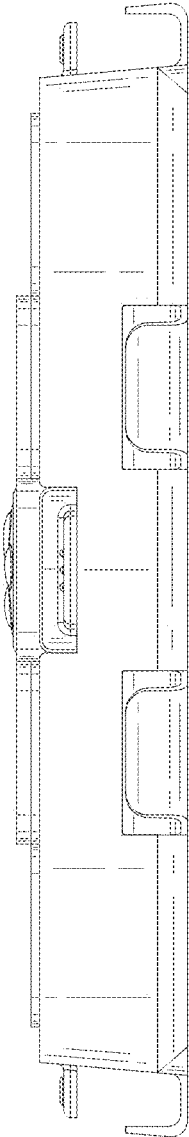


FIG. 6

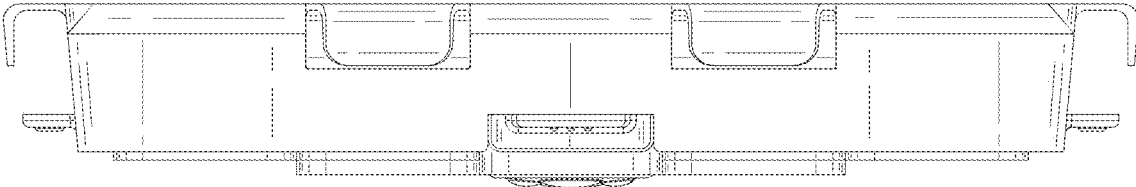


FIG. 7

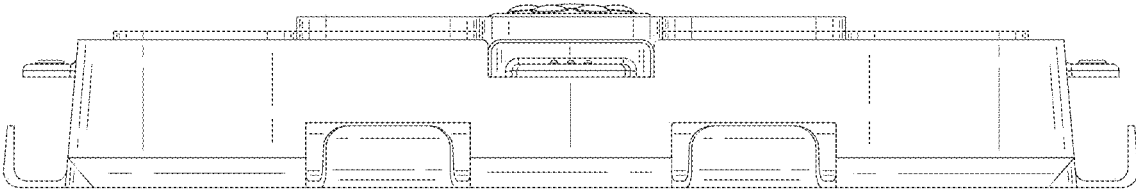


FIG. 8