



US00D495336S1

(12) **United States Design Patent** (10) **Patent No.:** **US D495,336 S**
Andre et al. (45) **Date of Patent:** **** Aug. 31, 2004**

(54) **DOCKING STATION**

(75) Inventors: **Bartley K. Andre**, Menlo Park, CA (US); **Daniel J. Coster**, San Francisco, CA (US); **Daniele De Iuliis**, San Francisco, CA (US); **Richard P. Howarth**, San Francisco, CA (US); **Jonathan P. Ive**, San Francisco, CA (US); **Duncan Robert Kerr**, San Francisco, CA (US); **Matthew Dean Rohrbach**, San Francisco, CA (US); **Douglas B. Satzger**, San Carlos, CA (US); **Calvin Q. Seid**, Palo Alto, CA (US); **Christopher J. Stringer**, Pacifica, CA (US); **Eugene Anthony Whang**, San Francisco, CA (US)

(73) Assignee: **Apple Computer, Inc.**, Cupertino, CA (US)

(**) Term: **14 Years**

(21) Appl. No.: **29/180,562**

(22) Filed: **Apr. 25, 2003**

(51) **LOC (7) Cl.** **14-02**

(52) **U.S. Cl.** **D14/434**

(58) **Field of Search** D14/434, 435, D14/432; D13/107, 108; 320/110, 113, 114, 115; 345/130, 156, 173, 168, 901, 905; 361/683, 679-682, 724-727

(56) **References Cited**

U.S. PATENT DOCUMENTS

D328,277 S * 7/1992 Leman et al. D13/108
D336,631 S * 6/1993 Ivester D13/108
D374,858 S * 10/1996 Chu D13/108

(List continued on next page.)

OTHER PUBLICATIONS

“iPod Dock Cradle”, downloaded Apr. 11, 2003, www.bookendzdocks.com/bookendz/dock_cradel.htm.
“BookEndz Home Page”, downloaded Apr. 11, 2003, www.bookendzdocks.com/bookendz/index.htm.

Primary Examiner—Kay H. Chin
(74) *Attorney, Agent, or Firm*—Beyer Weaver & Thomas, LLP

(57) **CLAIM**

We claim the ornamental design for a docking station, as shown and described.

DESCRIPTION

FIG. 1 is a rear perspective view of a docking station in accordance with the present design. The docking station can, for example, be a docking station for a device such as a media player or a media storage device.

FIG. 2 is a front perspective view for the docking station.

FIG. 3 is a front view for the docking station.

FIG. 4 is a rear view for the docking station.

FIG. 5 is a right side view for the docking station.

FIG. 6 is a left side view for the docking station.

FIG. 7 is a top view for the docking station.

FIG. 8 is a bottom view for the docking station.

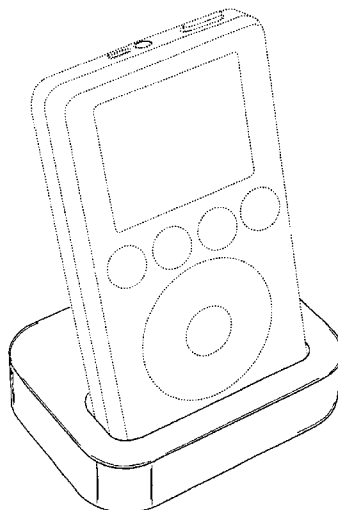
FIG. 9 is a front perspective view for the docking station while it is retaining a media device; and,

FIG. 10 is a left side view for the docking station while it is retaining a media device.

The broken lines showing of various regions and media devices are for illustrative purposes and form no part of the claimed design.

The broken lines in FIGS. 1, 3 and 7 are included for the purpose of illustrating a portion of the docking station that forms no part of the claimed design. The broken lines showing the media device in FIGS. 9 and 10 are included for the purpose of illustrating environmental structure and form no part of the claimed design.

1 Claim, 5 Drawing Sheets



US D495,336 S

Page 2

U.S. PATENT DOCUMENTS

D388,764 S	*	1/1998	Bartling et al.	D13/107	D444,124 S		6/2001	Casey et al.	
D409,987 S		5/1999	Okumura		D450,707 S		11/2001	Francavilla et al.	
D411,166 S	*	6/1999	Uemura et al.	D13/107	D454,332 S	*	3/2002	Yokoyama	D13/108
D416,536 S		11/1999	Ross et al.		D459,299 S	*	6/2002	Hughes et al.	D13/108
D419,160 S		1/2000	Davidson et al.		D461,476 S		8/2002	Evers et al.	
D422,556 S	*	4/2000	Okura et al.	D13/107	D463,361 S		9/2002	Ruohonen	
D439,908 S		4/2001	Gozani		D466,122 S		11/2002	Moody	
D440,542 S		4/2001	Hawkins et al.		D468,305 S		1/2003	Ma et al.	
D444,121 S		6/2001	Chun et al.		D472,900 S		4/2003	Matsumoto	

* cited by examiner

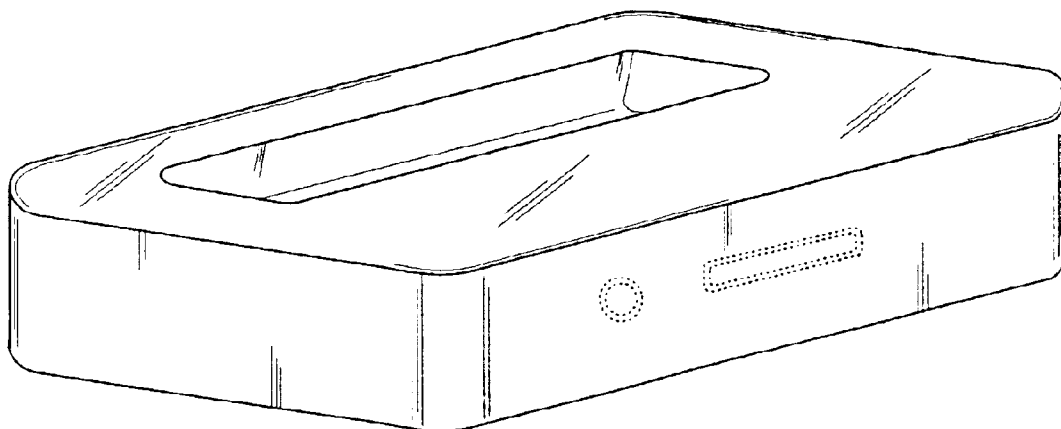


FIG. 1

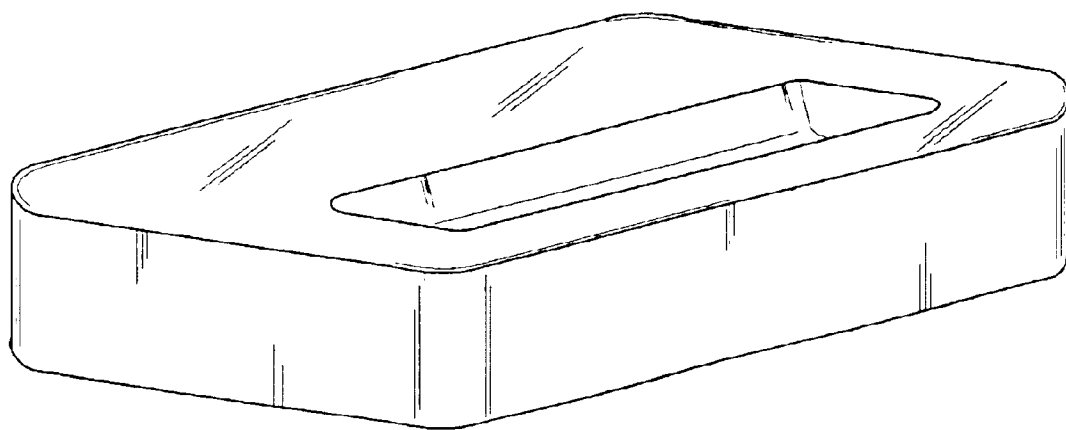


FIG. 2

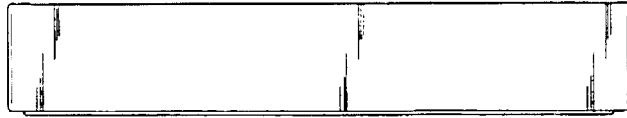


FIG. 3

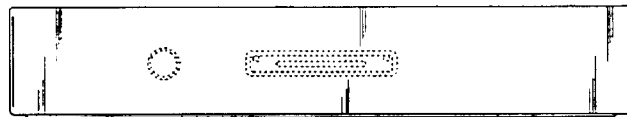


FIG. 4

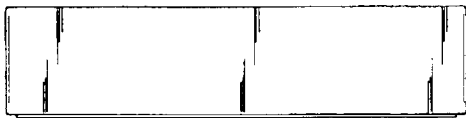


FIG. 5



FIG. 6

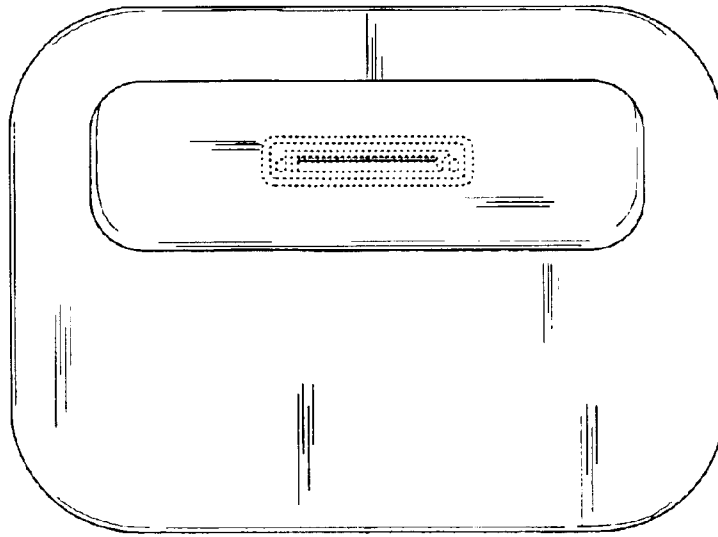


FIG. 7

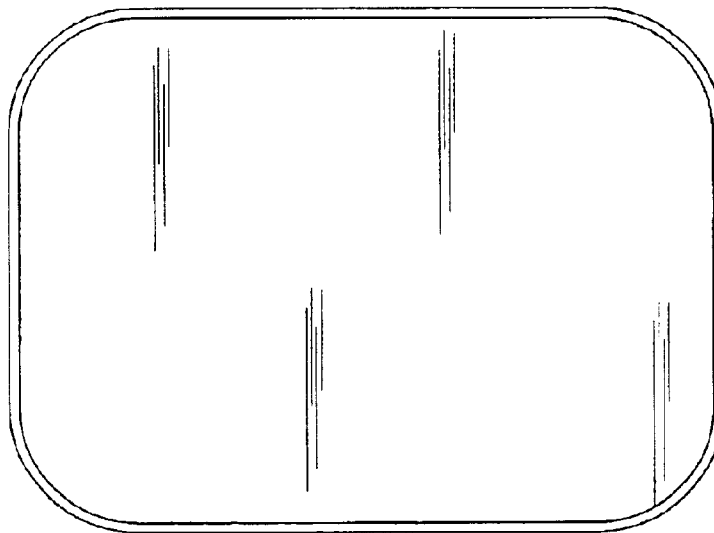


FIG. 8

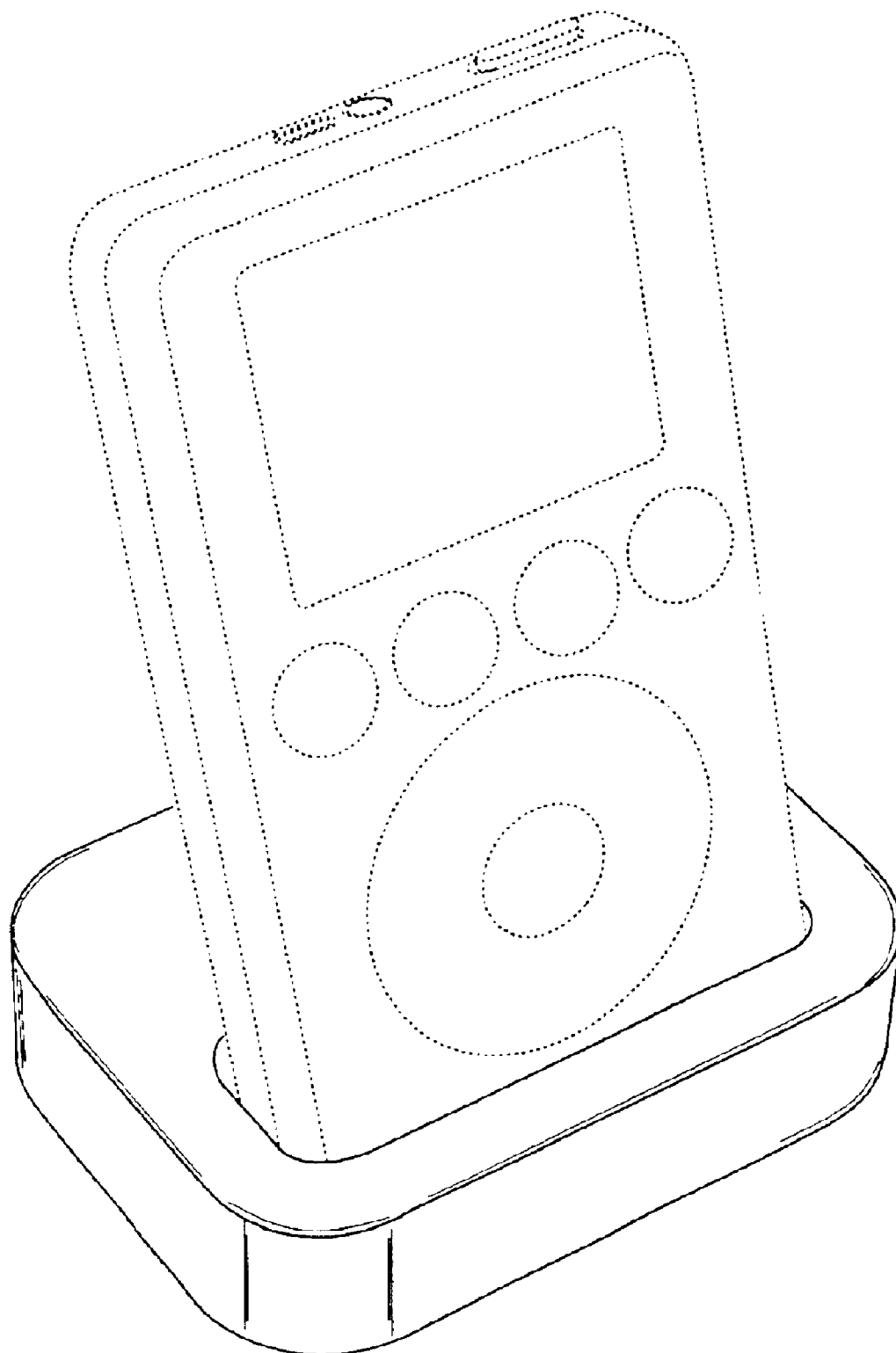


FIG. 9

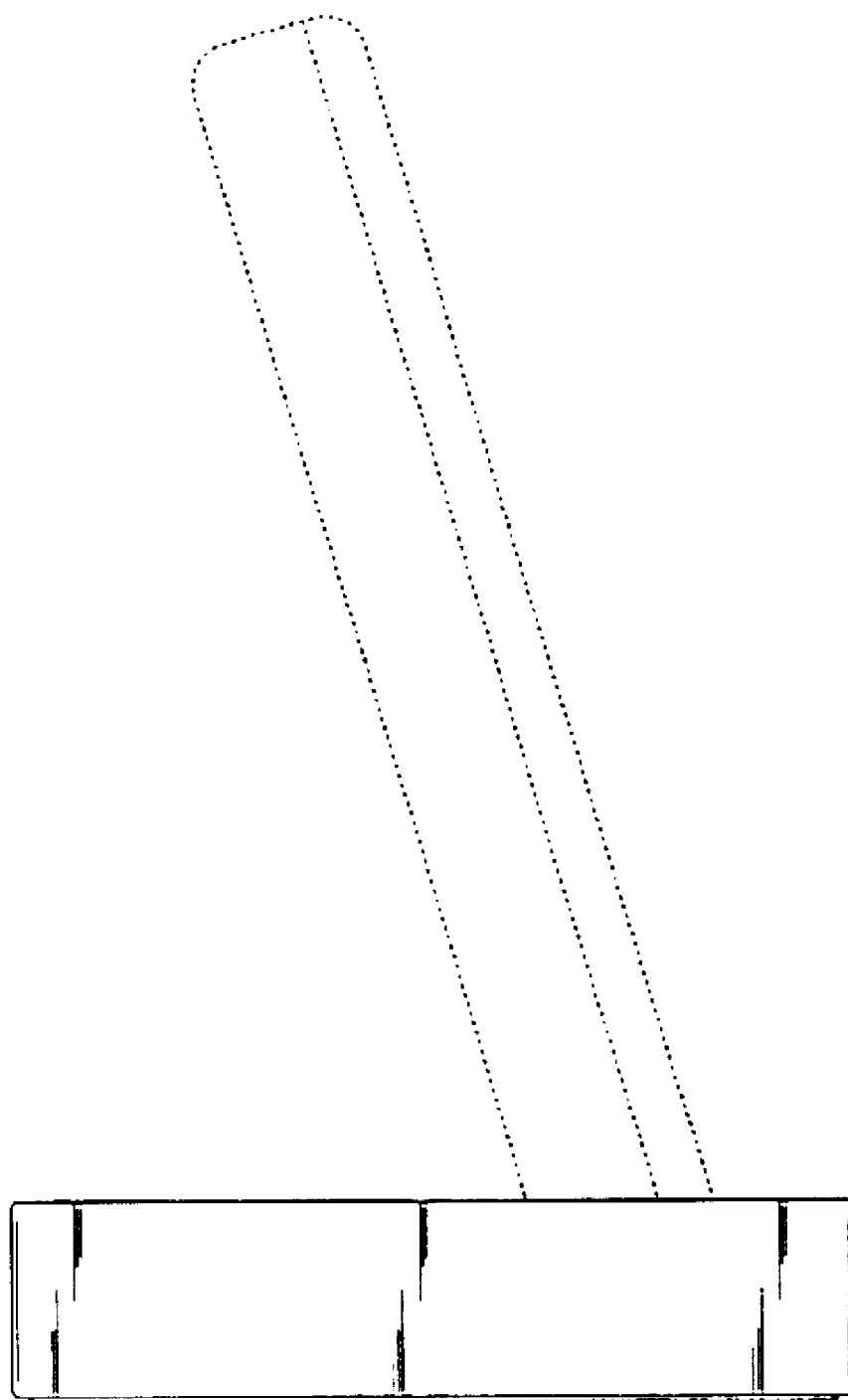


FIG. 10