



US00D615505S

(12) **United States Design Patent**
Butterworth et al.

(10) **Patent No.:** **US D615,505 S**

(45) **Date of Patent:** **** May 11, 2010**

(54) **LED PACKAGE**

(75) Inventors: **Mark Butterworth**, Santa Clara, CA (US); **Thuy Vu**, San Jose, CA (US); **Gregory W. Eng**, Fremont, CA (US); **Nicola B. Pfeffer**, Eindhoven (NL)

(73) Assignee: **Koninklijke Philips Electronics N.V.**, Eindhoven (NL)

(**) Term: **14 Years**

(21) Appl. No.: **29/340,831**

(22) Filed: **Jul. 27, 2009**

(51) **LOC (9) Cl.** **13-03**

(52) **U.S. Cl.** **D13/180**

(58) **Field of Classification Search** D13/180;
D26/2; 257/79, 80, 81, 88, 89, 95, 98, 99,
257/100, E33.058; 313/483, 498, 500; 362/555,
362/800

See application file for complete search history.

(56) **References Cited**

U.S. PATENT DOCUMENTS

D505,396 S *	5/2005	Hoshiba	D13/180
D524,260 S *	7/2006	Ishizaka et al.	D13/180
D528,997 S *	9/2006	Jung et al.	D13/180
D534,877 S *	1/2007	Kamada	D13/180

D570,797 S *	6/2008	Song	D13/180
D574,336 S *	8/2008	Okada et al.	D13/180
D598,871 S *	8/2009	Eberle et al.	D13/180
2005/0269587 A1 *	12/2005	Loh et al.	257/99
2007/0246715 A1 *	10/2007	Shin et al.	257/79
2008/0258162 A1 *	10/2008	Koung et al.	257/98

* cited by examiner

Primary Examiner—Selina Sikder

(57) **CLAIM**

The ornamental design for a LED package, substantially as shown and described.

DESCRIPTION

FIG. 1 is a front perspective view of the LED package.

FIG. 2 is a top plan view of the LED package of FIG. 1.

FIG. 3 is a lower side view of the LED package of FIG. 1.

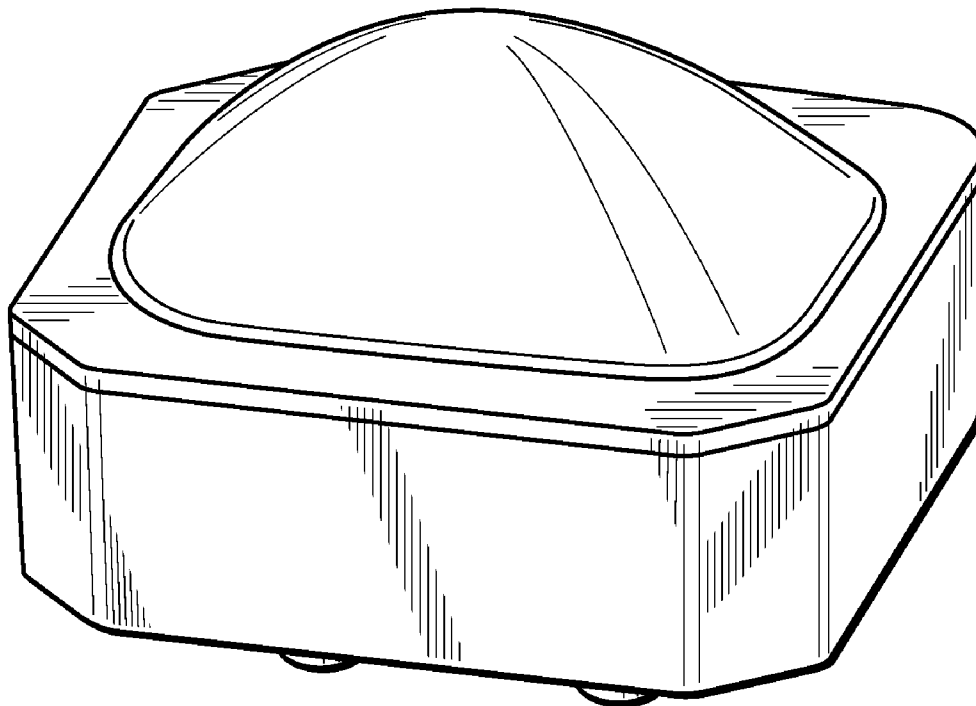
FIG. 4 is a right side view of the LED package of FIG. 1.

FIG. 5 is a bottom plan view of the LED package of FIG. 1, wherein the broken lines are shown for illustrative purposes only and forms no part of the claimed design.

FIG. 6 is an upper side view of the LED package of FIG. 1; and,

FIG. 7 is a left side view of the LED package of FIG. 1.

1 Claim, 3 Drawing Sheets



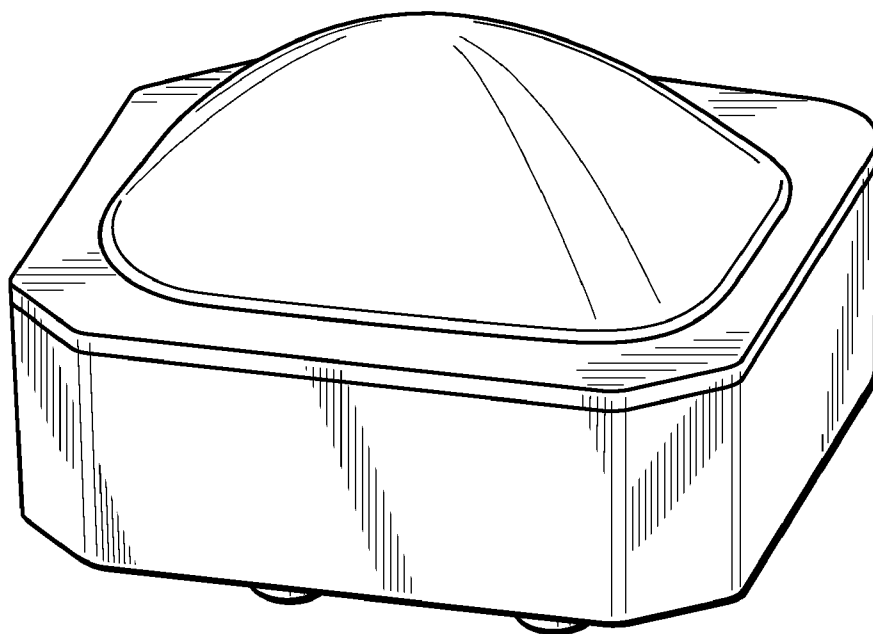


FIG. 1

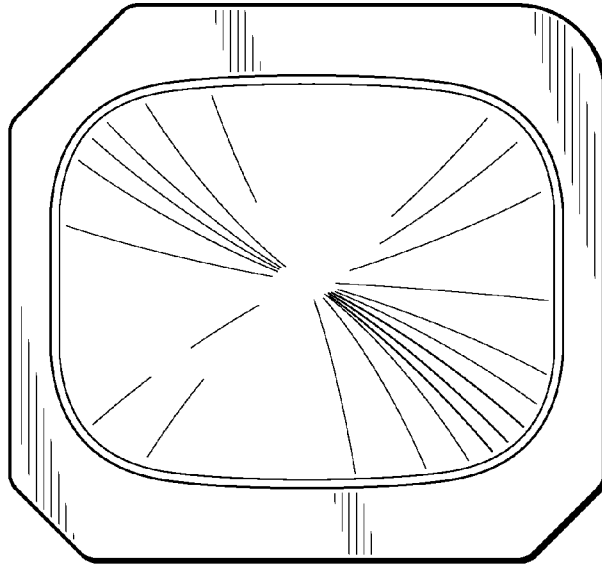


FIG. 2

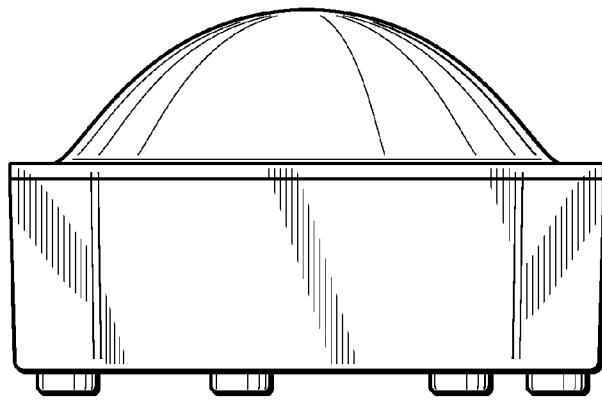


FIG. 3

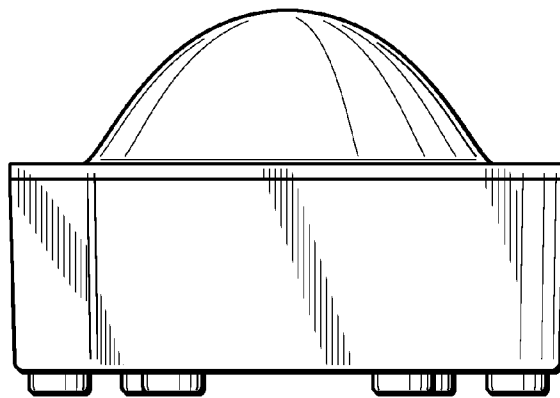


FIG. 4

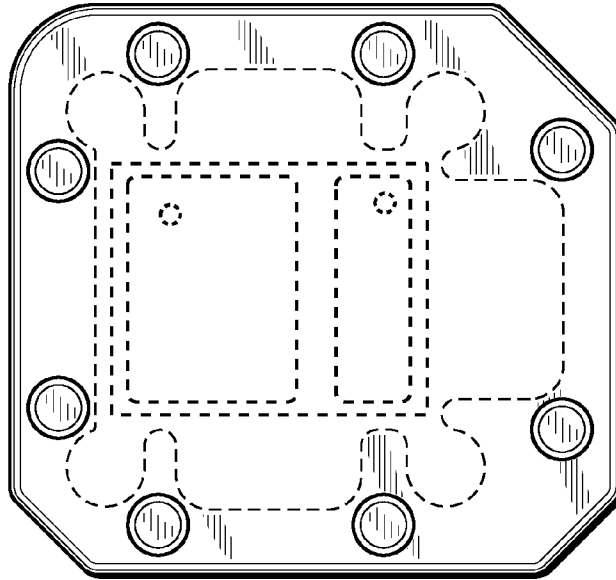


FIG. 5

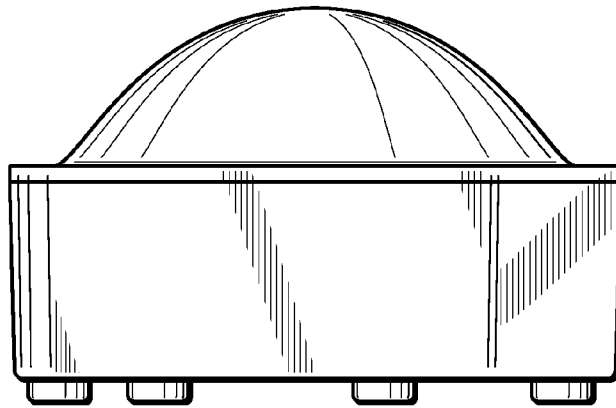


FIG. 6

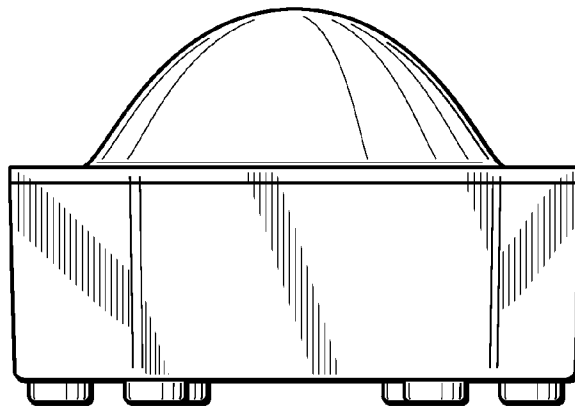


FIG. 7