



US0D1041060S

(12) **United States Design Patent**  
**Zhou et al.**

(10) **Patent No.:** **US D1,041,060 S**

(45) **Date of Patent:** **\*\* Sep. 3, 2024**

(54) **LAMP**

FOREIGN PATENT DOCUMENTS

(71) Applicants: **Shenzhen Qianyan Technology LTD,**  
Shenzhen (CN); **Shenzhen Intellirocks**  
**Tech. Co., Ltd.,** Shenzhen (CN)

CN 305915452 \* 7/2020

(72) Inventors: **Wenju Zhou,** Guangdong (CN);  
**Wenlong Wu,** Guangdong (CN)

OTHER PUBLICATIONS

Amazon | Philips Rimless Full Glow 15-watt Hexa LED Surface  
Downlighter . . . posted on Aug. 4, 2022, © 1996-2024, Amazon.  
com, Inc. [online], site visited May 22, 2024. Available from  
Internet, <<https://www.amazon.in/PHILIPS-Rimless-15-watt-Downlighter-Downlight/dp/B0B8N3T51J>> (Year: 2022).\*

(\*\*) Term: **15 Years**

(21) Appl. No.: **35/518,618**

(22) Filed: **Aug. 17, 2023**

*Primary Examiner* — Cary M Robinson  
*Assistant Examiner* — Julie Marie Bailey

(80) **Hague Agreement Data**

Int. Filing Date: **Aug. 17, 2023**

Int. Reg. No.: **DM/231930**

Int. Reg. Date: **Aug. 17, 2023**

Int. Reg. Pub. Date: **Oct. 13, 2023**

(57) **CLAIM**

The ornamental design for a lamp, as shown and described.

(30) **Foreign Application Priority Data**

May 25, 2023 (CN) ..... 202330312302.2

(51) **LOC (14) Cl.** ..... **26-05**

(52) **U.S. Cl.**  
USPC ..... **D26/89**

(58) **Field of Classification Search**

USPC ..... D26/24, 60, 72, 85, 88, 89, 91  
CPC ..... F21S 8/00; F21S 8/03; F21S 8/04; F21S  
9/00; F21S 9/02; F21Y 2115/10; F21V  
3/02; F21K 9/20

See application file for complete search history.

**DESCRIPTION**

- 1. Lamp
- 1.1 : Perspective
- 1.2 : Perspective
- 1.3 : Front
- 1.4 : Back
- 1.5 : Left
- 1.6 : Right
- 1.7 : Top
- 1.8 : Bottom
- 1.9 : Enlarged
- 1.10 : Enlarged

The broken lines depict portions of the lamp that form no part of the claimed design; reproduction 1.9 is an enlarged view of a portion labeled “9” in reproduction 1.1; reproduction 1.10 is an enlarged view of a portion labeled “10” in reproduction 1.2; the dash-dot-dash lines, number “9” and number “10” in the reproductions are for the purpose of depicting the cut line of the enlarged view that form no part of the claimed design.

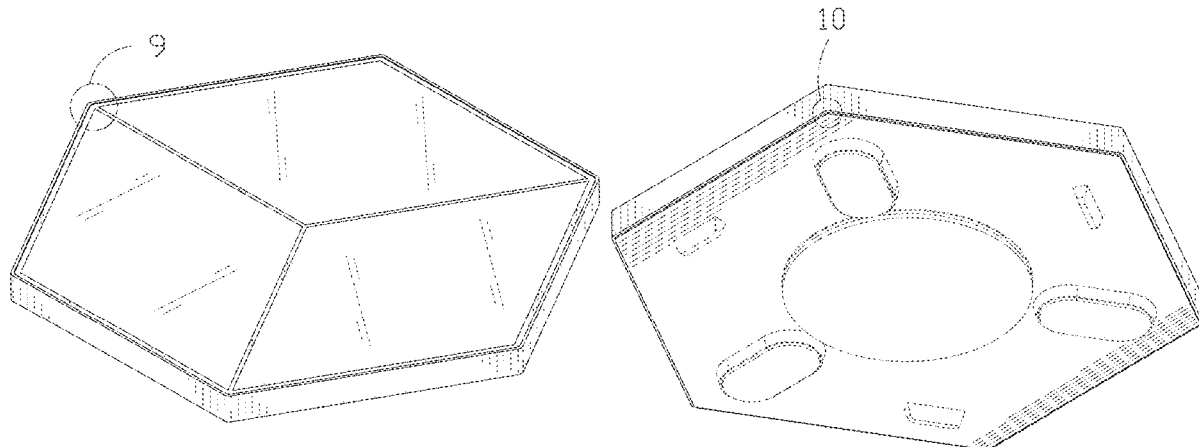
(56) **References Cited**

U.S. PATENT DOCUMENTS

D602,194 S *	10/2009	Soderman	.....	D26/89
D641,098 S *	7/2011	Wildner	.....	D26/85
D649,678 S *	11/2011	Germain	.....	D26/85
D674,524 S *	1/2013	Davies	.....	D26/89
D748,842 S *	2/2016	Sakurai	.....	D26/89
D770,076 S *	10/2016	Li	.....	D26/89
D770,077 S *	10/2016	Lai	.....	D26/89

(Continued)

**1 Claim, 10 Drawing Sheets**



(56)

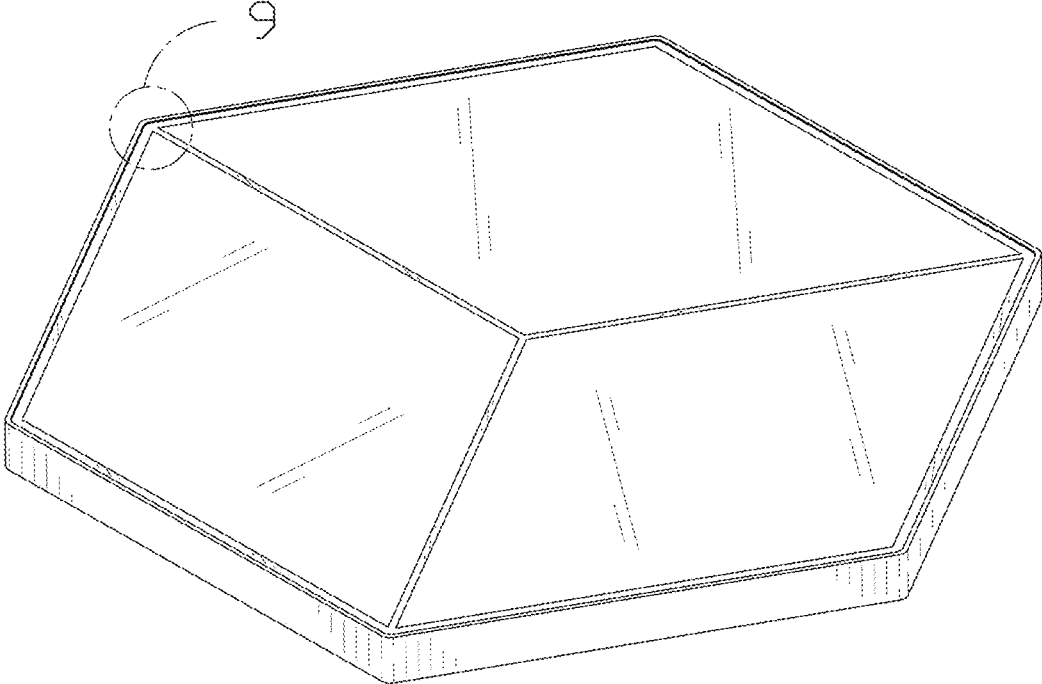
**References Cited**

U.S. PATENT DOCUMENTS

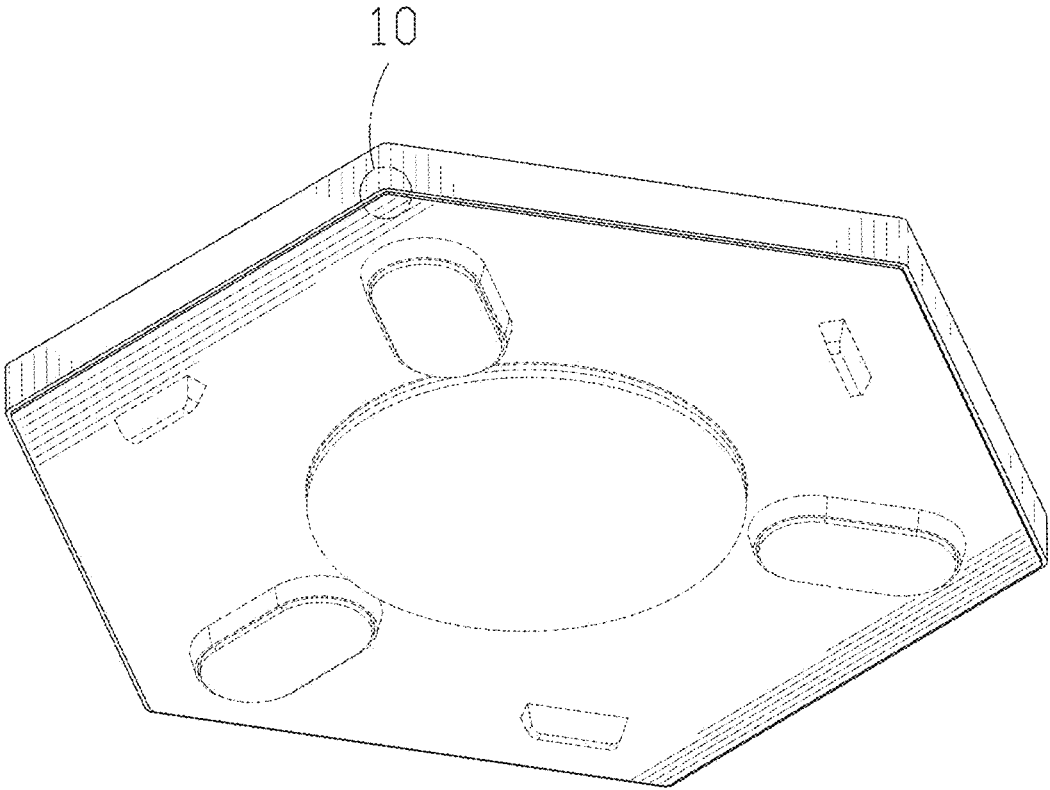
D788,347	S	*	5/2017	Evenson	.....	D26/88
D835,327	S	*	12/2018	Li	.....	D26/89
D841,869	S	*	2/2019	Mou	.....	D26/89
D861,959	S	*	10/2019	Guo	.....	D26/89
D895,885	S	*	9/2020	Hong	.....	D26/89
D925,097	S	*	7/2021	Mooar	.....	D26/89
D929,620	S	*	8/2021	Wu	.....	D26/24
D952,477	S	*	5/2022	Gong	.....	D10/52
D982,218	S	*	3/2023	Lou	.....	D26/89
D984,711	S	*	4/2023	Pi	.....	D26/85
D989,377	S	*	6/2023	Hsu	.....	D26/88
D999,968	S	*	9/2023	Ding	.....	D26/89
D1,000,674	S	*	10/2023	Pan	.....	D26/89
D1,001,340	S	*	10/2023	Bernard	.....	D26/89
D1,011,567	S	*	1/2024	Zhang	.....	D26/24
2021/0325013	A1	*	10/2021	Liu	.....	F21V 23/005

\* cited by examiner

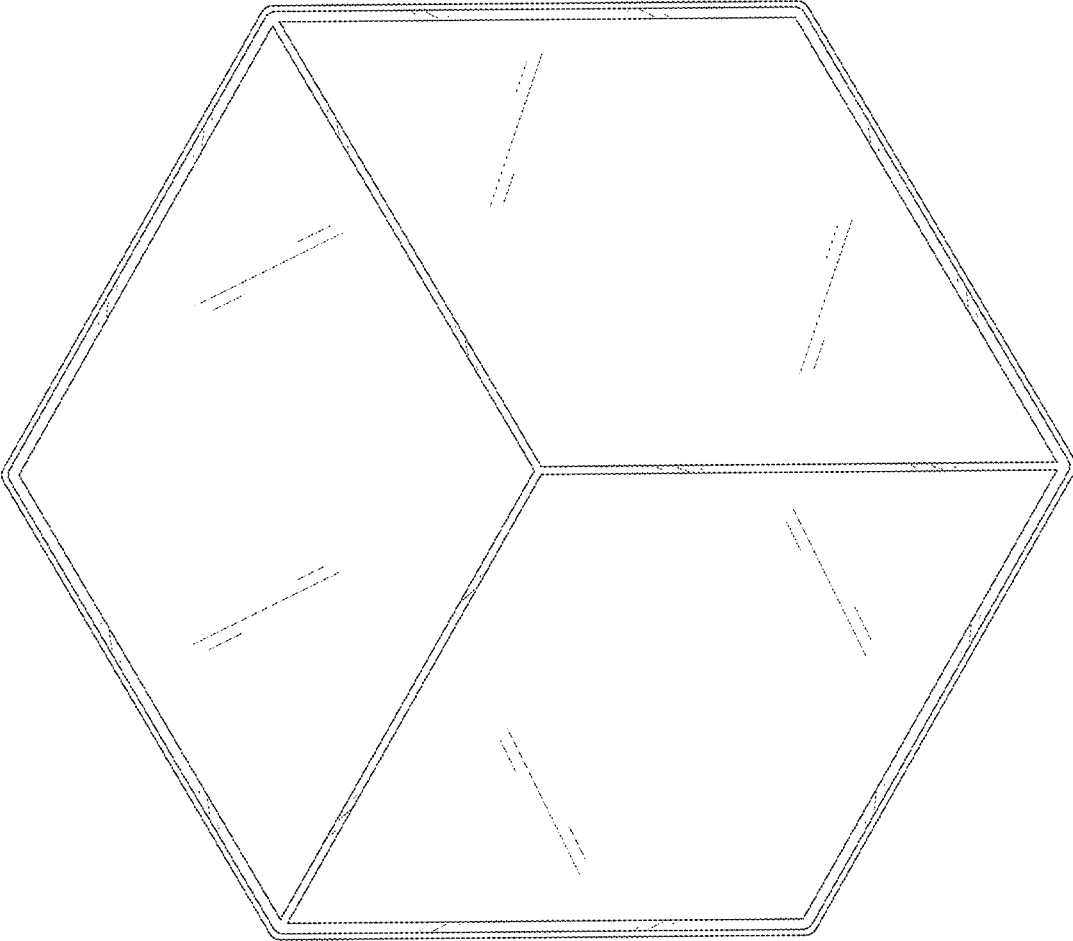
1.1



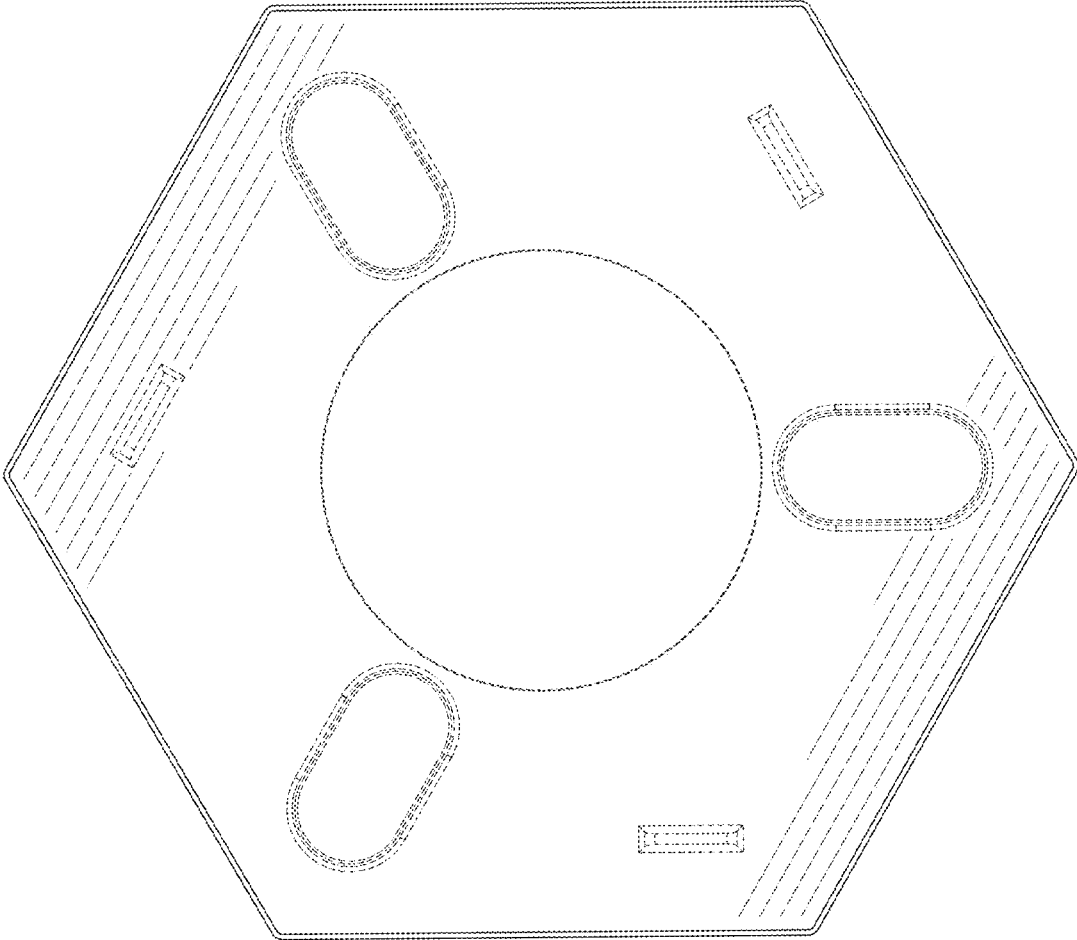
1.2



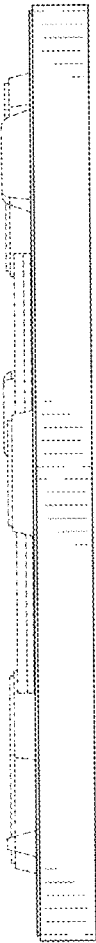
1.3



1.4



1.5

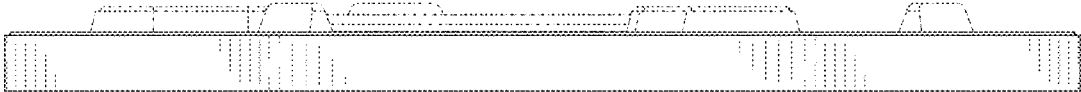


1.6

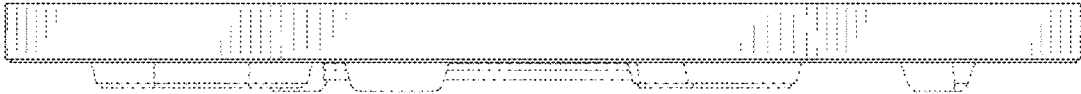




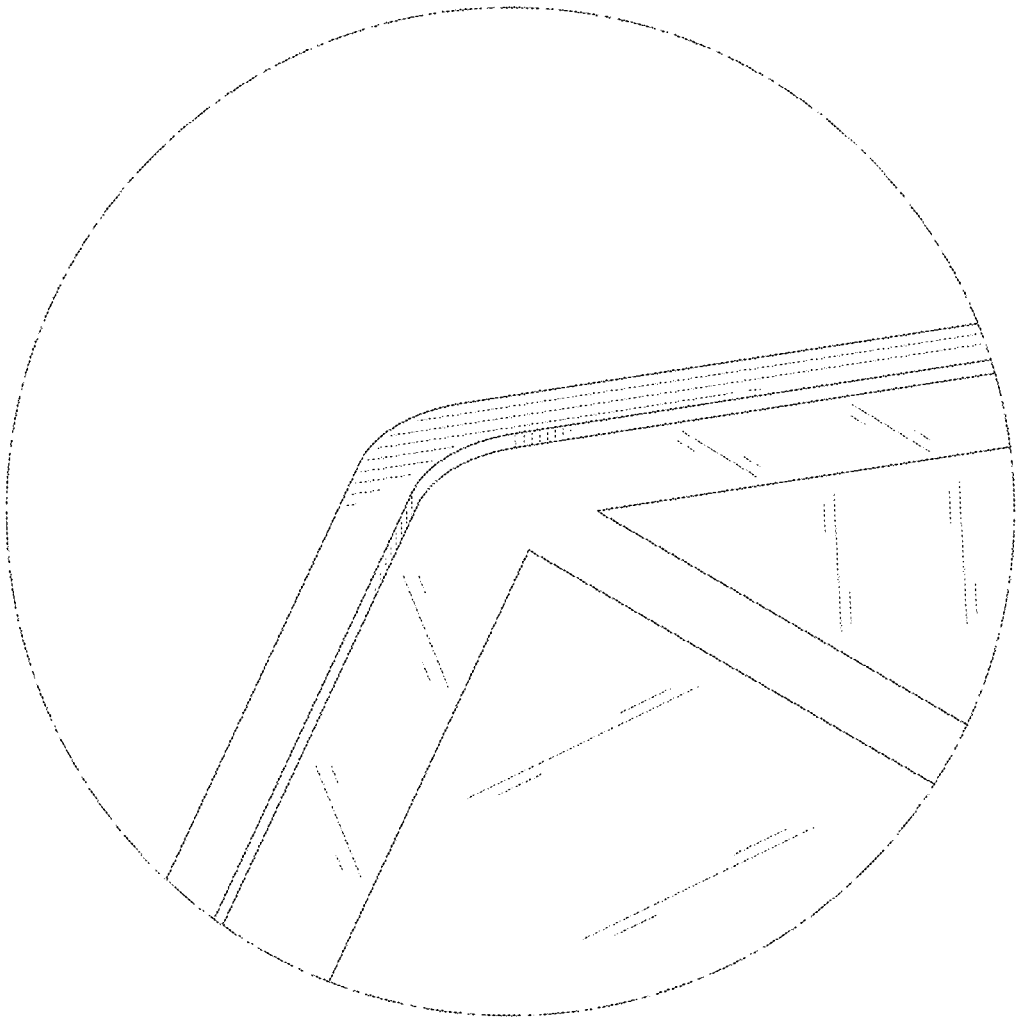
1.7



1.8



1.9



1.10

