



US00D551266S

(12) **United States Design Patent**
Young

(10) **Patent No.:** **US D551,266 S**

(45) **Date of Patent:** **** Sep. 18, 2007**

(54) **HAMMERMILL HAMMER**

(75) Inventor: **Roger T. Young**, Prophetstown, IL (US)

(73) Assignee: **Genesis III, Inc.**, Prophetstown, IL (US)

(**) Term: **14 Years**

(21) Appl. No.: **29/231,840**

(22) Filed: **Jun. 11, 2005**

(51) **LOC (8) Cl.** **15-09**

(52) **U.S. Cl.** **D15/123**

(58) **Field of Classification Search** D15/123,
D15/124; 241/73, 74, 189.1, 193-197; 214/294,
214/300

See application file for complete search history.

(56) **References Cited**

U.S. PATENT DOCUMENTS

1,678,723	A *	7/1928	Clement	241/197
2,015,581	A *	9/1935	Armour	241/195
2,207,455	A *	7/1940	Clement	241/197
2,319,629	A *	5/1943	Poese	241/195
2,404,775	A *	7/1946	Ehmann	241/197

2,712,417	A *	7/1955	Jensen	241/197
3,208,676	A *	9/1965	Jensen	241/195
3,322,356	A *	5/1967	Toews	241/197
3,335,555	A *	8/1967	Woodring	241/193
3,545,691	A *	12/1970	Arsenault	241/197
3,549,095	A *	12/1970	Ratkowski	241/197
3,561,686	A *	2/1971	Hedrick	241/197
2006/0032958	A1 *	2/2006	Young	241/194

* cited by examiner

Primary Examiner—Antoine D. Davis

Assistant Examiner—Patricia Palasik

(74) *Attorney, Agent, or Firm*—Law Offices of Jay R. Hamilton, PLC

(57) **CLAIM**

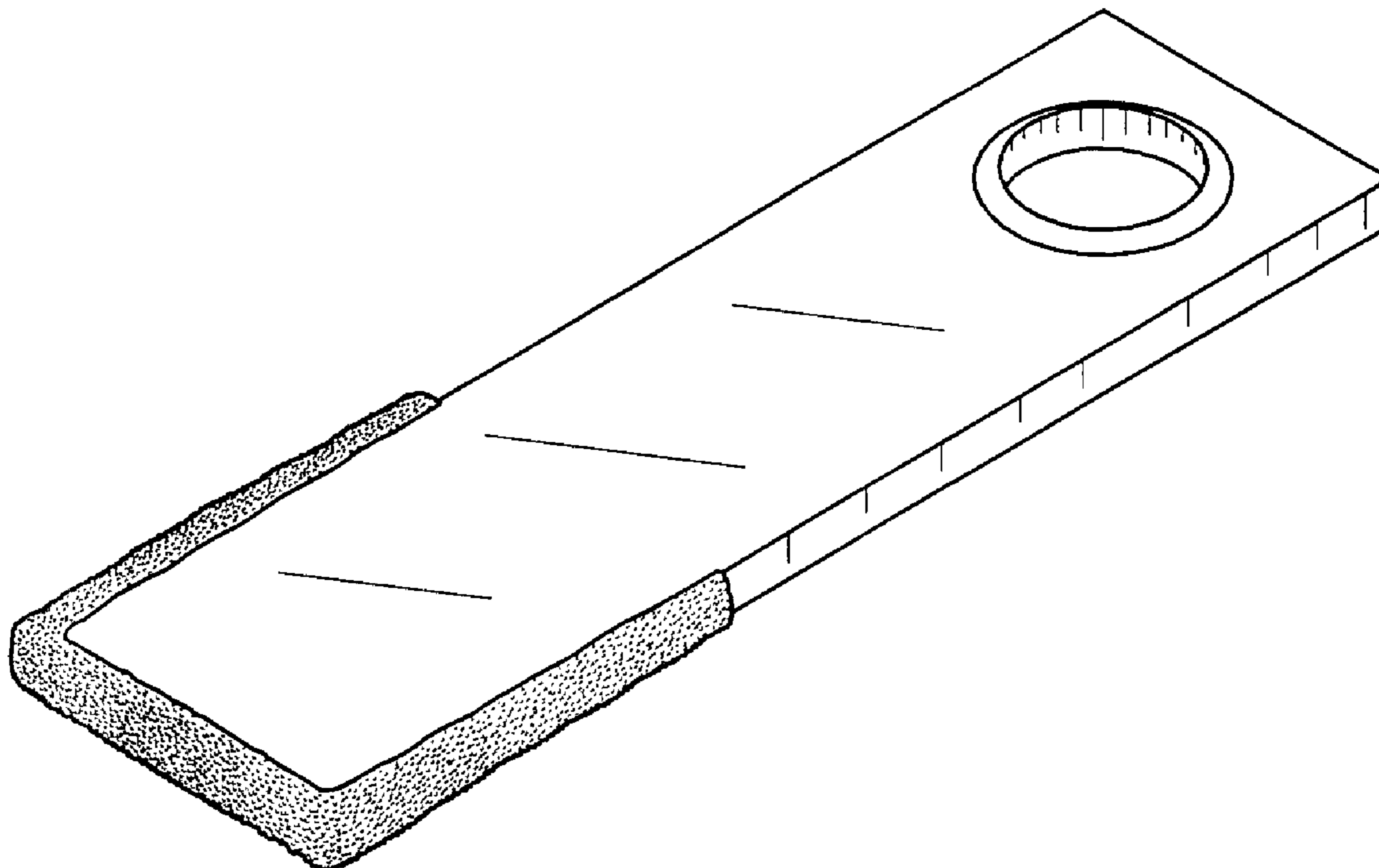
The ornamental design for a hammermill hammer, as shown and described.

DESCRIPTION

FIG. 1 is perspective view of a hammermill hammer according to an embodiment of the invention; and,

FIG. 2 is a side view of a hammermill hammer according to an embodiment of the invention.

1 Claim, 2 Drawing Sheets



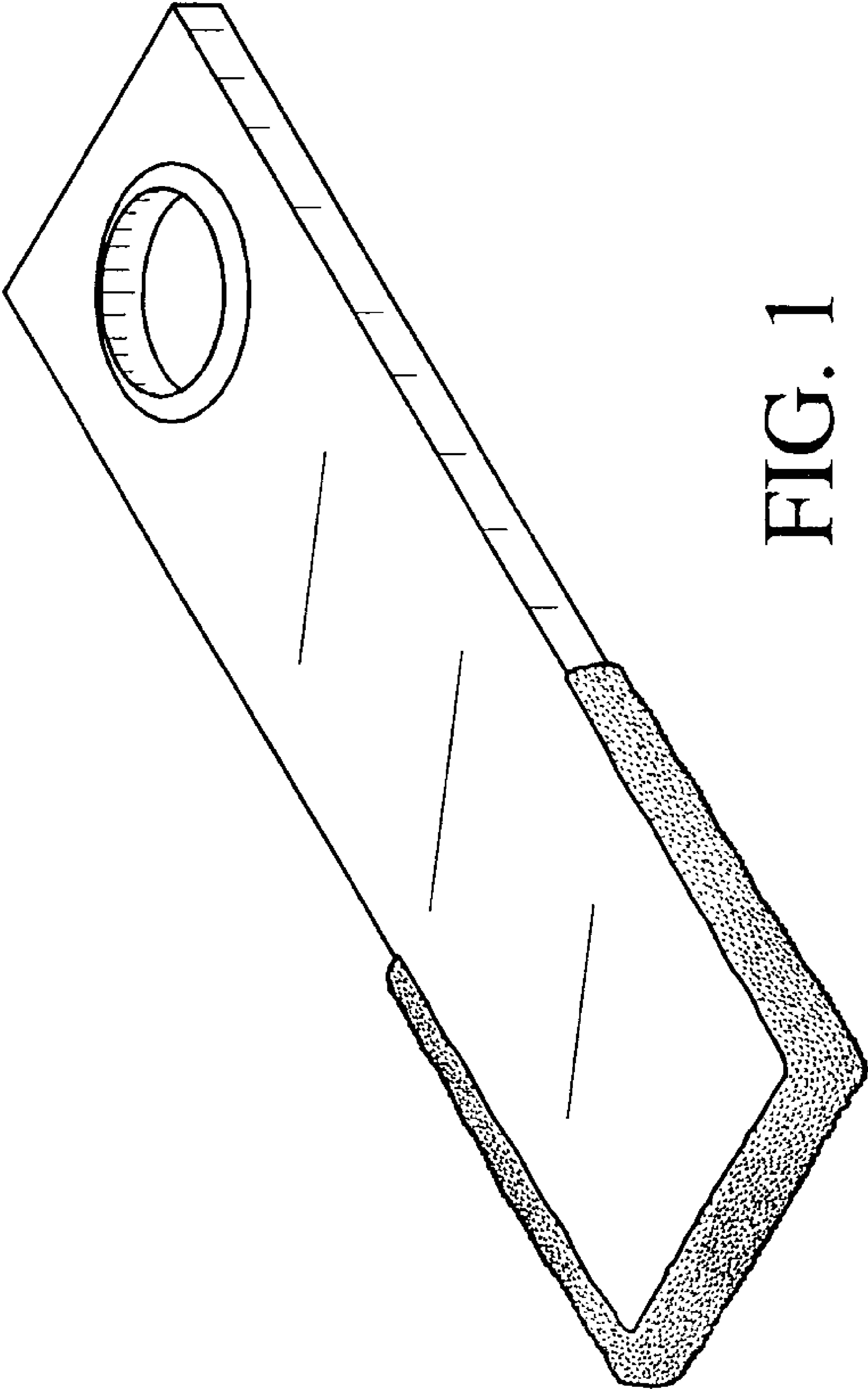


FIG. 1

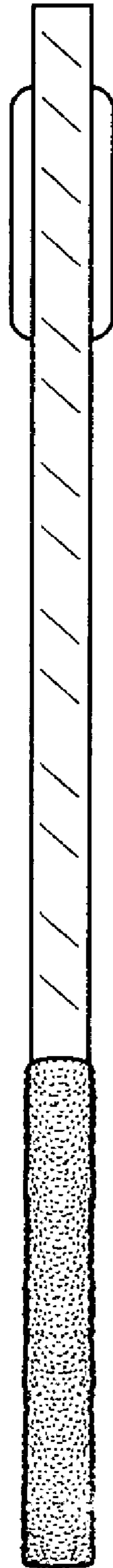


FIG. 2