



US00D679682S

(12) **United States Design Patent**
Shimizu et al.

(10) **Patent No.:** **US D679,682 S**

(45) **Date of Patent:** **** Apr. 9, 2013**

(54) **EARPHONE**

(75) Inventors: **Yosuke Shimizu**, Tokyo (JP); **Keiko Densho**, Tokyo (JP); **Naoki Sugiyama**, Tokyo (JP); **Sohei Kitayama**, Tokyo (JP); **So Morimoto**, Tokyo (JP); **Naoto Shimizu**, Tokyo (JP); **Jun Komiyama**, Tokyo (JP)

(73) Assignee: **Sony Corporation**, Tokyo (JP)

(**) Term: **14 Years**

(21) Appl. No.: **29/371,528**

(22) Filed: **Apr. 4, 2011**

Related U.S. Application Data

(63) Continuation of application No. 29/347,499, filed on Feb. 12, 2010, now Pat. No. Des. 637,180, which is a continuation of application No. 29/311,145, filed on Dec. 31, 2008, now Pat. No. Des. 610,129, which is a continuation-in-part of application No. 29/300,195, filed on Feb. 29, 2008, now Pat. No. Des. 598,431, and a continuation-in-part of application No. 29/300,196, filed on Feb. 29, 2008, now Pat. No. Des. 587,247, and a continuation-in-part of application No. 29/300,197, filed on Feb. 29, 2008, now abandoned, and a continuation-in-part of application No. 29/300,199, filed on Feb. 29, 2008, now Pat. No. Des. 587,249, application No. 29/371,528, which is a continuation of application No. 29/347,710, filed on Apr. 16, 2010, now Pat. No. Des. 635,546.

(30) **Foreign Application Priority Data**

Aug. 31, 2007	(JP)	D2007-023857
Aug. 31, 2007	(JP)	D2007-023863
Aug. 31, 2007	(JP)	D2007-023864
Aug. 31, 2007	(JP)	D2007-023865
Jul. 4, 2008	(JP)	D2008-017355
Jul. 4, 2008	(JP)	D2008-017356
Jul. 31, 2008	(JP)	D2008-019806

(51) **LOC (9) Cl.** **14-01**

(52) **U.S. Cl.** **D14/223**

(58) **Field of Classification Search** D14/205, D14/206, 223; 181/129, 130, 135; 379/430, 379/431; 381/380, 381; 455/90.3, 575.2; D13/156, 148, 184, 133, 137.4; 119/819; 128/879; D8/399

See application file for complete search history.

(56) **References Cited**

U.S. PATENT DOCUMENTS

D106,823	S	*	11/1937	Sears	D24/174
2,246,737	A	*	6/1941	Knudsen	128/865
2,439,289	A	*	4/1948	Fanslow	
2,584,402	A	*	2/1952	Volkman	181/129
2,904,640	A	*	9/1959	Dreher et al.	379/430
3,602,654	A	*	8/1971	Victoreen	181/135
3,712,271	A	*	1/1973	Greathouse	119/770

(Continued)

FOREIGN PATENT DOCUMENTS

JP	D1057368	S	1/2000
JP	D1084542	S	9/2000

(Continued)

Primary Examiner — Paula Greene

(74) *Attorney, Agent, or Firm* — Rader, Fishman & Grauer PLLC

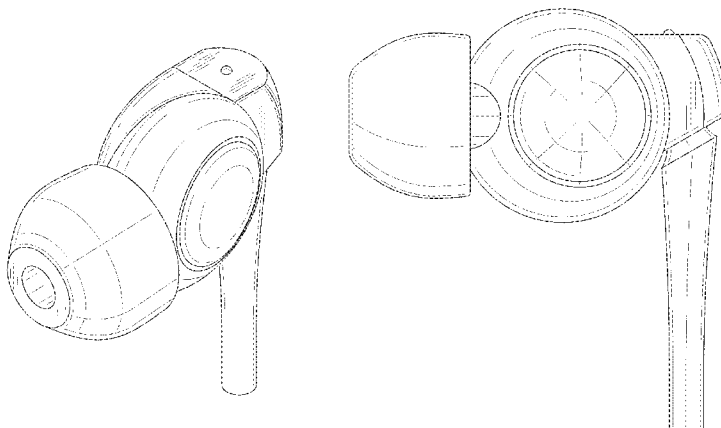
(57) **CLAIM**

The ornamental design for an earphone, as shown and described.

DESCRIPTION

FIG. 1 is a front, top, right perspective view of an earphone showing my new design;
FIG. 2 is a front elevational view thereof;
FIG. 3 is a rear elevational view thereof;
FIG. 4 is a left side elevational view thereof;
FIG. 5 is a right side elevational view thereof;
FIG. 6 is a top plan view thereof; and,
FIG. 7 is a bottom plan view thereof.

1 Claim, 7 Drawing Sheets



US D679,682 S

Page 2

U.S. PATENT DOCUMENTS

3,800,791	A	*	4/1974	Visor	128/864
4,223,177	A	*	9/1980	Nakamura	174/563
D316,551	S		4/1991	Ichikawa	
D318,669	S		7/1991	Nakayama	
D331,408	S		12/1992	Ellermeier	
5,200,280	A	*	4/1993	Karasa	429/65
5,240,431	A	*	8/1993	Yagi et al.	439/271
5,319,163	A	*	6/1994	Scott	181/130
5,335,285	A		8/1994	Gluz	
5,687,244	A		11/1997	Untersander	
D405,528	S	*	2/1999	Shennib et al.	D24/174
D417,279	S	*	11/1999	Dupont	D24/174
6,164,409	A	*	12/2000	Berger	181/135
D449,324	S		10/2001	Iue et al.	
D452,491	S	*	12/2001	Sato	D14/223
D462,080	S		8/2002	Suzuki et al.	
D471,176	S		3/2003	Suzuki	
D474,171	S	*	5/2003	Suzuki	D14/206
D484,166	S		12/2003	Senda	
6,724,906	B2		4/2004	Naksen et al.	
6,741,719	B1		5/2004	Orten	
D502,202	S		2/2005	Mitsuse	
7,092,543	B1		8/2006	Mahoney et al.	
7,172,052	B2		2/2007	Lenhard-Backhaus	
7,221,768	B2		5/2007	Sjursen et al.	
D555,152	S	*	11/2007	Wang	D14/223
D564,495	S		3/2008	Sasaki	
D567,217	S		4/2008	Kamo et al.	
D572,703	S		7/2008	Ledbetter et al.	

D574,361	S	*	8/2008	Sasaki	D14/205
D575,773	S	*	8/2008	Yanai	D14/223
D576,154	S	*	9/2008	Ledbetter et al.	D14/223
D587,247	S	*	2/2009	Densho	D14/223
D587,249	S	*	2/2009	Densho	D14/223
D587,678	S		3/2009	Yuyama	
D587,679	S		3/2009	Komiyama	
D587,680	S		3/2009	Komiyama	
D587,681	S	*	3/2009	Yanai	D14/205
D588,099	S		3/2009	Yuyama	
D590,810	S		4/2009	Komiyama	
D591,721	S		5/2009	Densho	
D598,431	S	*	8/2009	Densho	D14/223
D598,894	S	*	8/2009	Masuda et al.	D14/205
D601,125	S		9/2009	Komiyama	
D601,548	S		10/2009	Morisawa	
D604,269	S	*	11/2009	Choe	D14/205
D604,272	S	*	11/2009	Kitayama	D14/223
D610,129	S	*	2/2010	Densho et al.	D14/223
D618,211	S	*	6/2010	Oguro et al.	D14/205
D635,546	S	*	4/2011	Komiyama	D14/205
D637,180	S	*	5/2011	Shimizu et al.	D14/223
D639,282	S	*	6/2011	Ohori et al.	D14/223
D639,283	S	*	6/2011	Ozawa et al.	D14/223
D641,011	S	*	7/2011	Gondo	D14/223
D668,244	S	*	10/2012	Matsumura	D14/223

FOREIGN PATENT DOCUMENTS

JP	D1124139	S	10/2001
JP	D1337824	S	8/2008

* cited by examiner

FIG.1

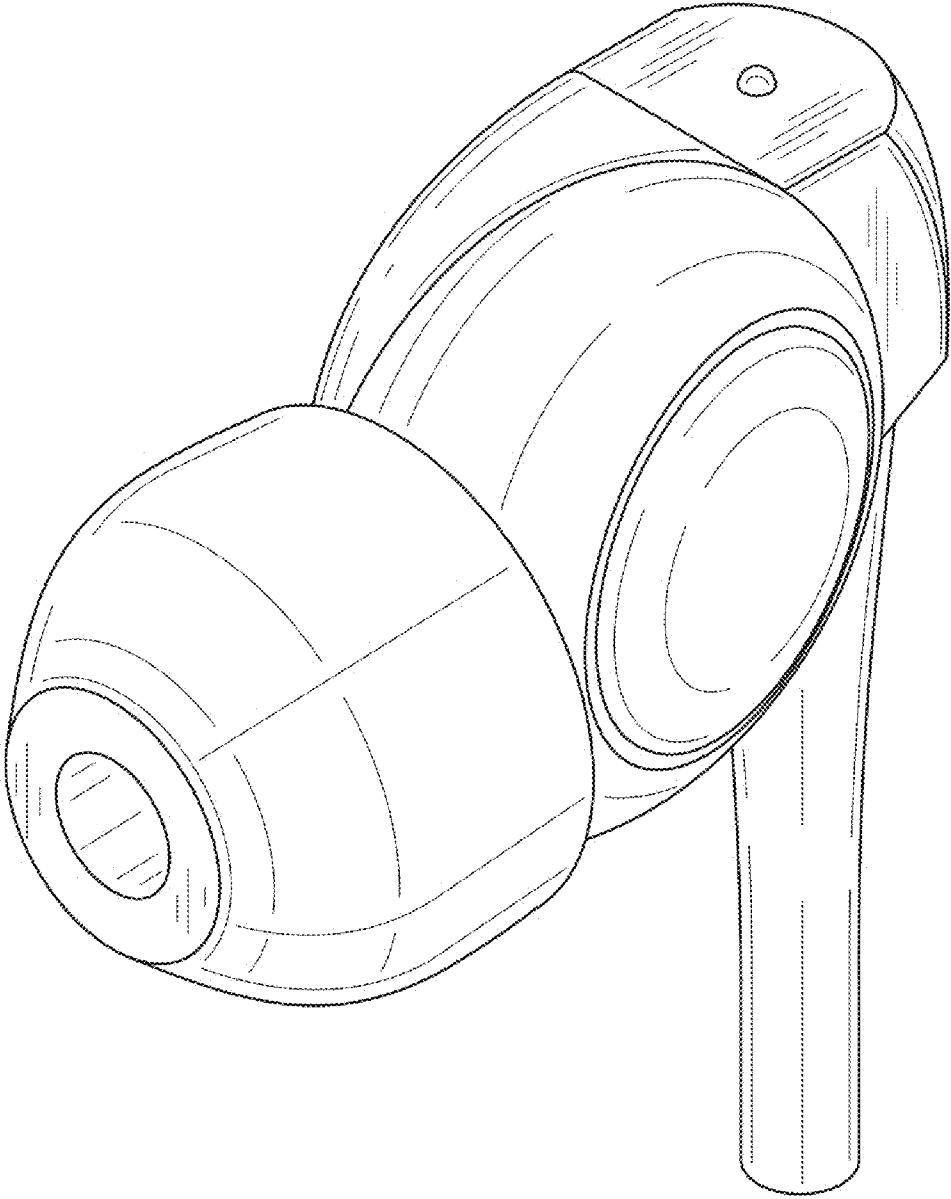


FIG.2

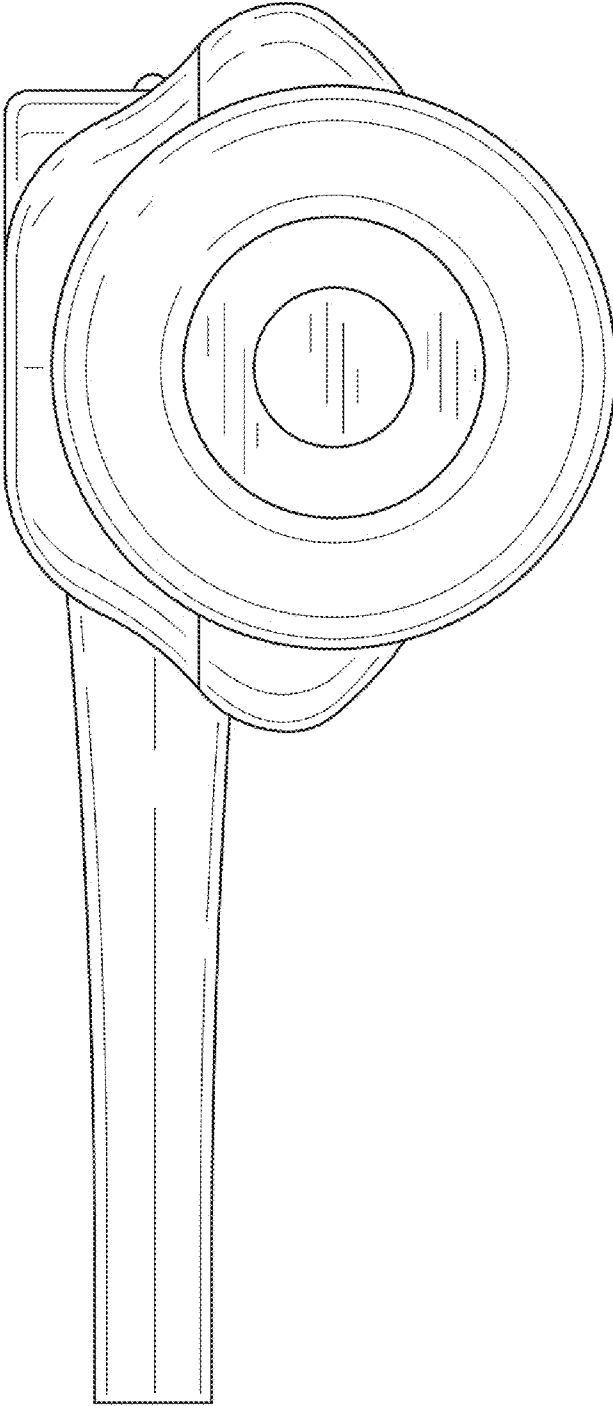


FIG.3

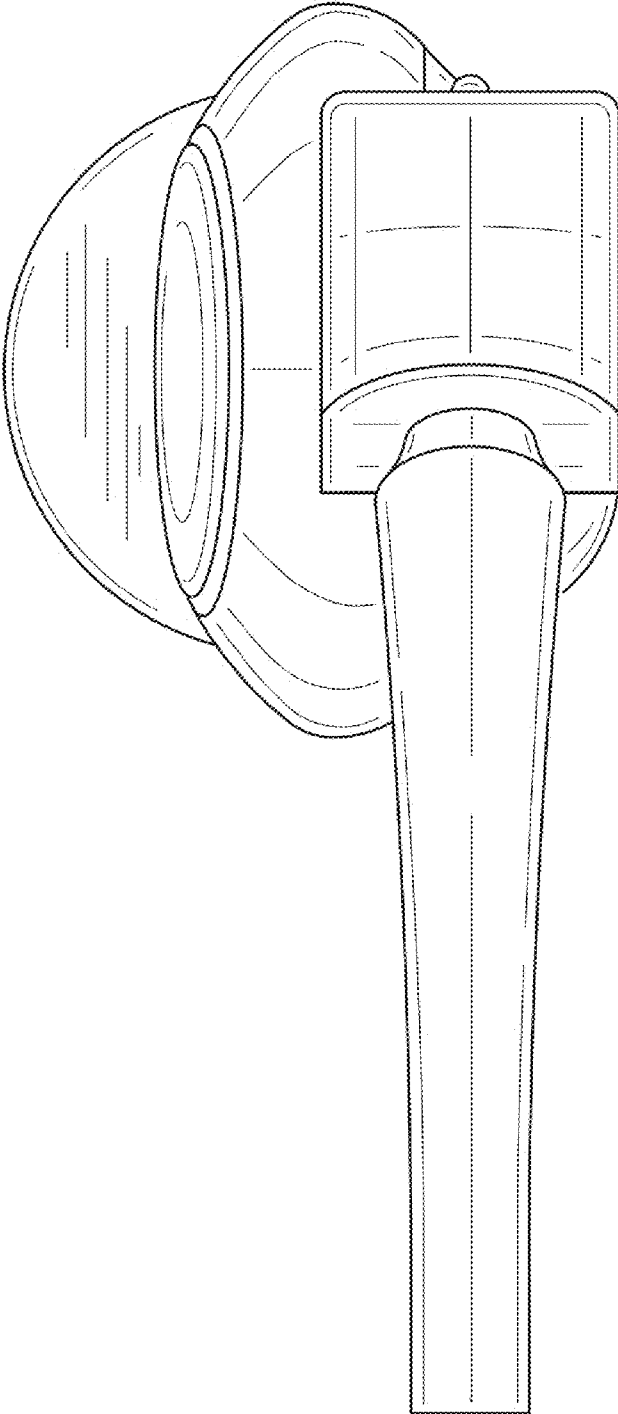


FIG.4

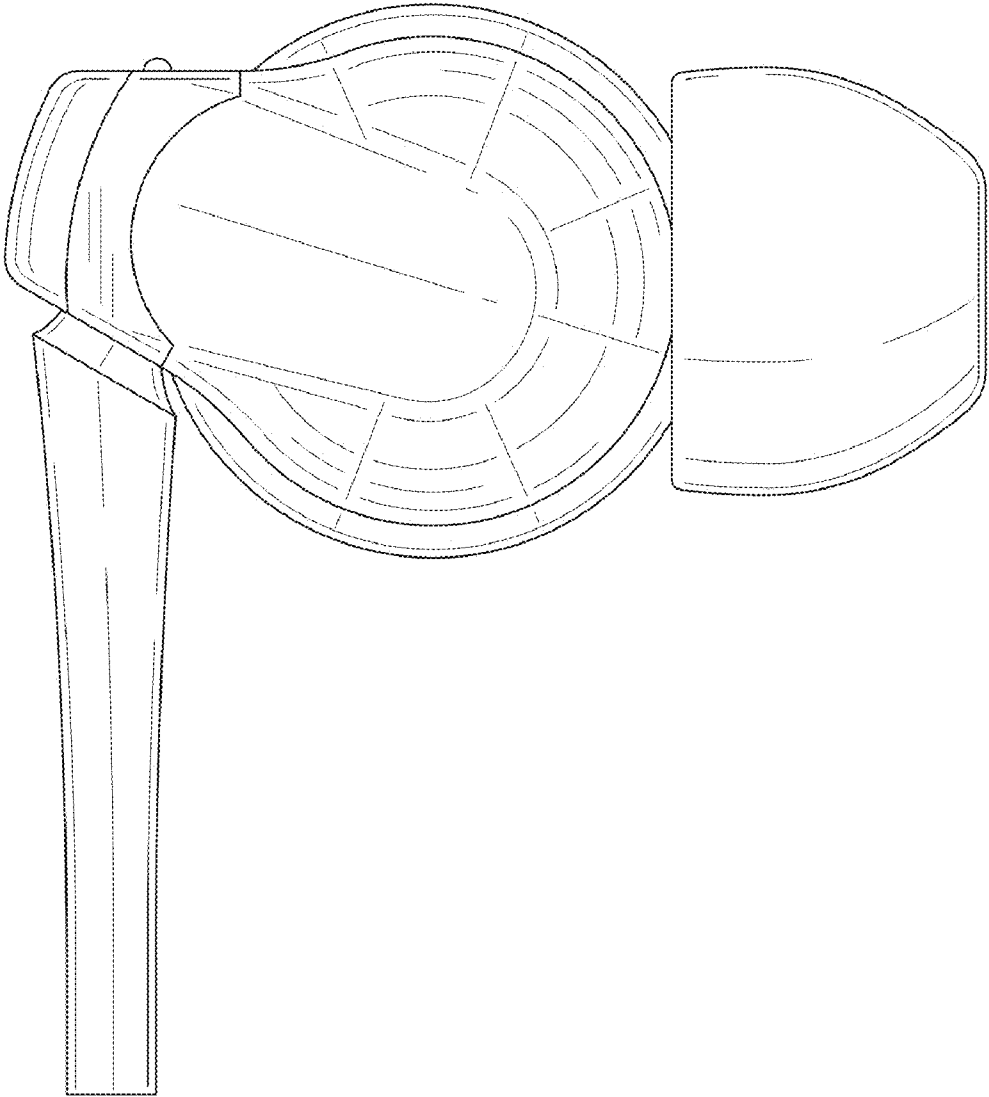


FIG.5

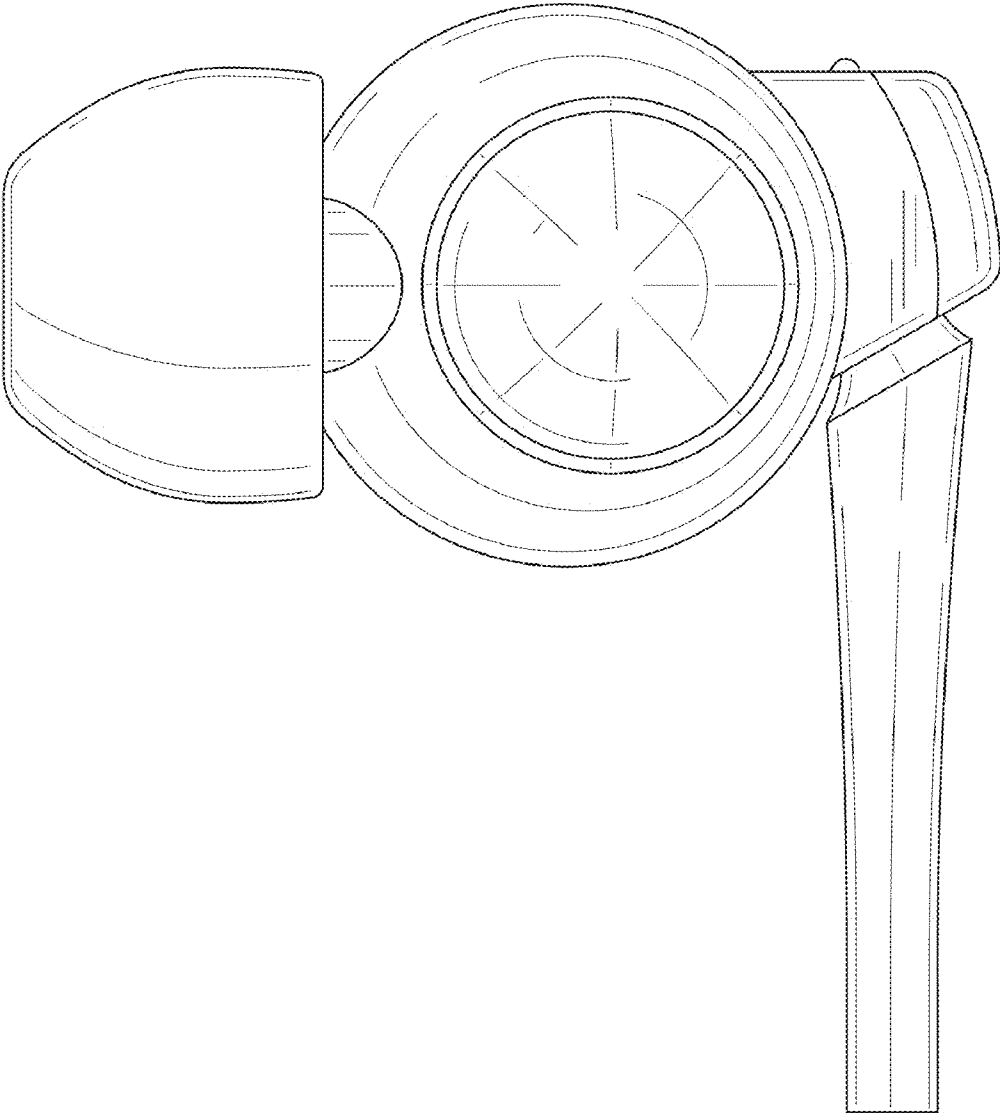


FIG.6

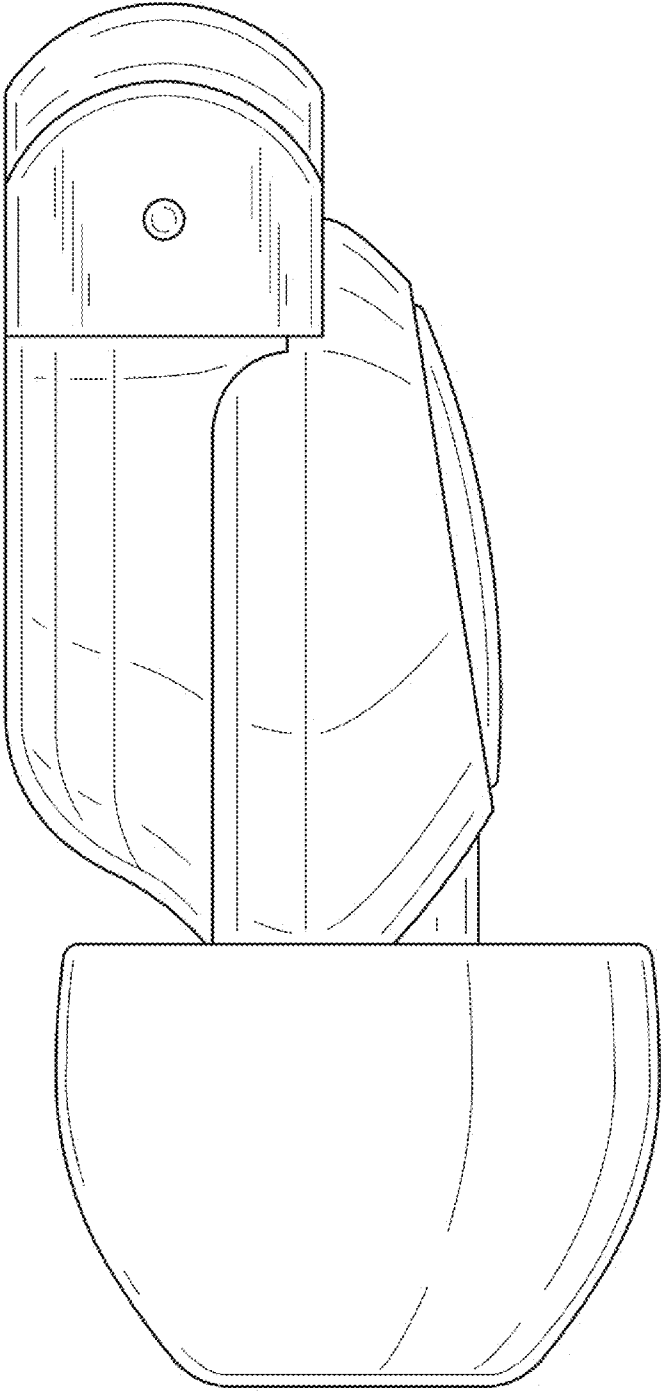


FIG. 7

