



US0D1014593S

(12) **United States Design Patent**  
**Lim et al.**

(10) **Patent No.:** **US D1,014,593 S**

(45) **Date of Patent:** **\*\* Feb. 13, 2024**

(54) **CAMERA**

(71) Applicant: **SZ DJI TECHNOLOGY CO., LTD.**,  
Shenzhen (CN)

(72) Inventors: **Jinwook Lim**, Shenzhen (CN);  
**Baichuan He**, Shenzhen (CN)

(73) Assignee: **SZ DJI TECHNOLOGY CO., LTD.**,  
Shenzhen (CN)

(\*\*) Term: **15 Years**

(21) Appl. No.: **29/799,808**

(22) Filed: **Jul. 16, 2021**

(51) **LOC (14) Cl.** ..... **16-01**

(52) **U.S. Cl.**  
USPC ..... **D16/218; D16/202**

(58) **Field of Classification Search**  
USPC ..... D16/200, 202-203, 208, 218, 219, 242  
CPC ..... G03B 17/02; G03B 19/04; G03B 17/56;  
G03B 17/04; G03B 15/03; H04N 7/141;  
H04N 7/142; H04N 7/147; H04N 7/148;  
H04N 7/15; H04N 7/152; H04N 23/50;  
H04N 23/51; H04N 23/54; H04N 23/55;  
H04N 23/62; H04N 23/63

See application file for complete search history.

(56) **References Cited**

**U.S. PATENT DOCUMENTS**

D529,062 S \* 9/2006 Matsuda ..... D16/202  
D739,452 S \* 9/2015 Adams ..... D16/208  
D743,472 S \* 11/2015 Tanifuji ..... D16/203  
D754,230 S \* 4/2016 Mori ..... D16/218

D824,983 S \* 8/2018 Wong ..... D16/208  
D849,110 S \* 5/2019 Khubani ..... D16/218  
D858,603 S \* 9/2019 Ye ..... D16/203  
D893,576 S \* 8/2020 Kyte ..... D16/202  
D897,400 S \* 9/2020 Liu ..... D16/202  
D897,401 S \* 9/2020 Liu ..... D16/202  
D917,598 S \* 4/2021 Ye ..... D16/203  
D917,603 S \* 4/2021 O'Connor ..... D16/218  
D967,227 S \* 10/2022 Sun ..... D16/202

\* cited by examiner

*Primary Examiner* — Ramzi Almatrahi

(74) *Attorney, Agent, or Firm* — ANOVA LAW GROUP,  
PLLC

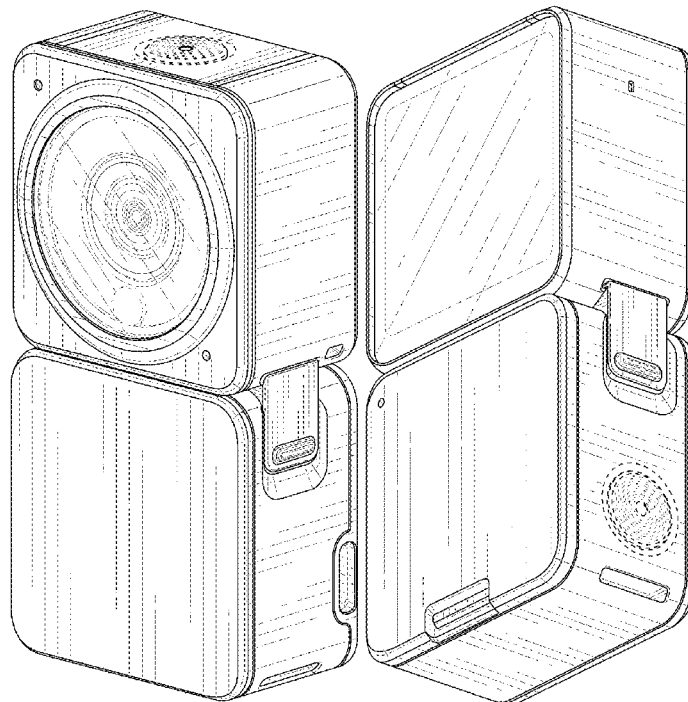
(57) **CLAIM**

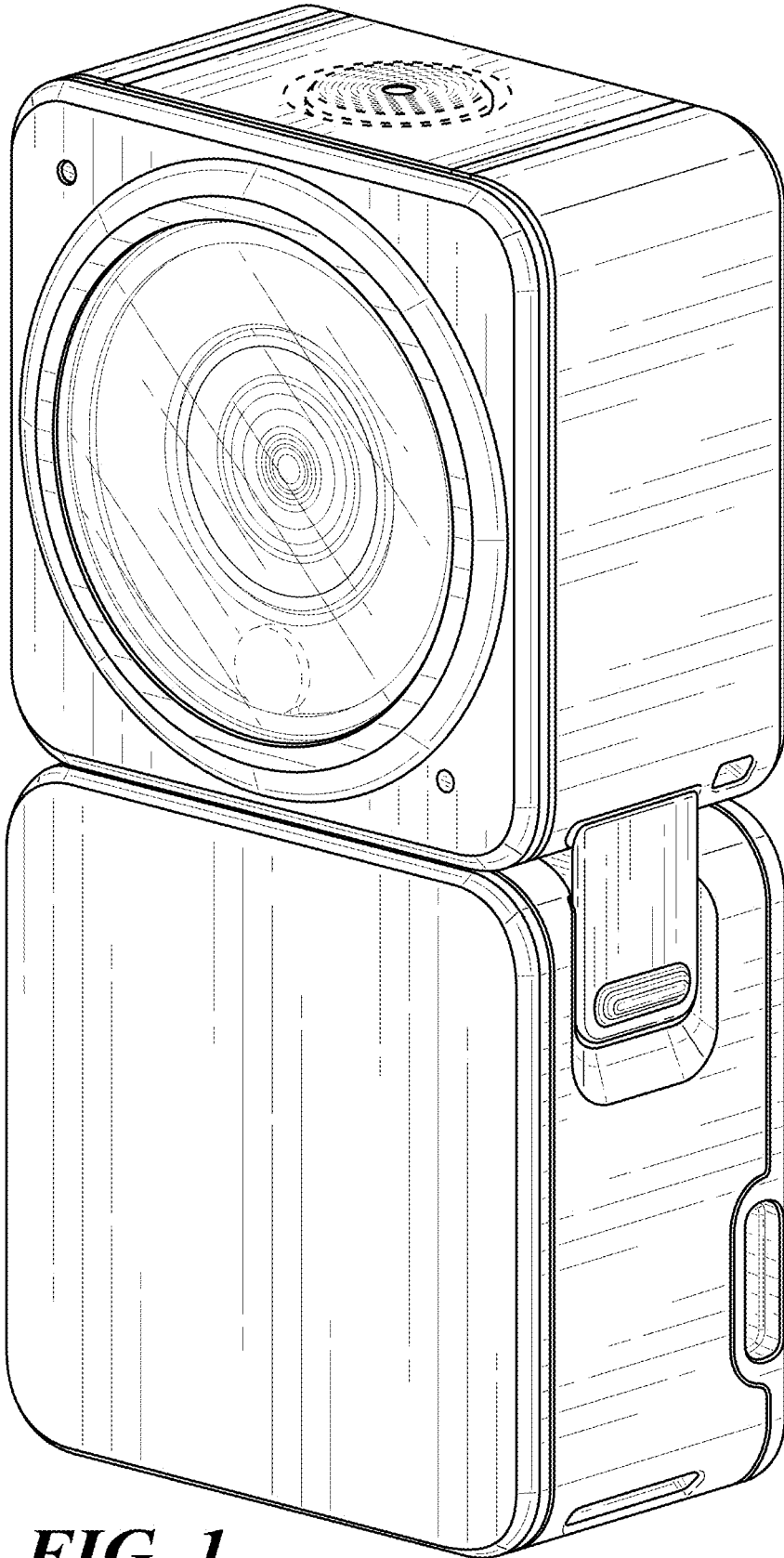
The ornamental design for a camera, as shown and described.

**DESCRIPTION**

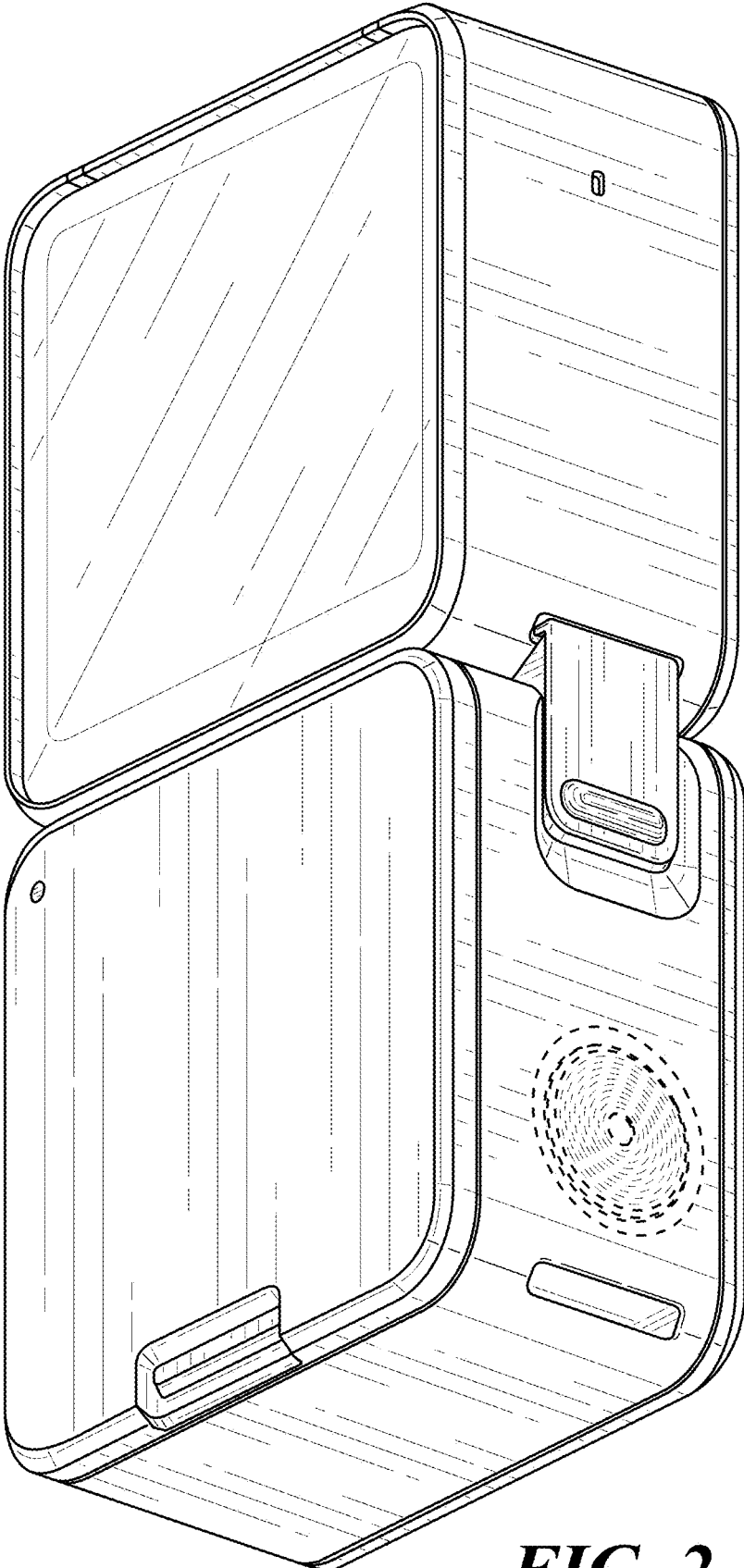
FIG. 1 is a top, front and right side perspective view of a camera showing our new design;  
FIG. 2 is a bottom, rear and left side perspective view thereof;  
FIG. 3 is a front elevation view thereof;  
FIG. 4 is a rear elevation view thereof;  
FIG. 5 is a left side elevation view thereof;  
FIG. 6 is a right side elevation view thereof;  
FIG. 7 is a top plan view thereof; and,  
FIG. 8 is a bottom plan view thereof.  
The broken lines depict portions of the camera that form no part of the claimed design.

**1 Claim, 8 Drawing Sheets**

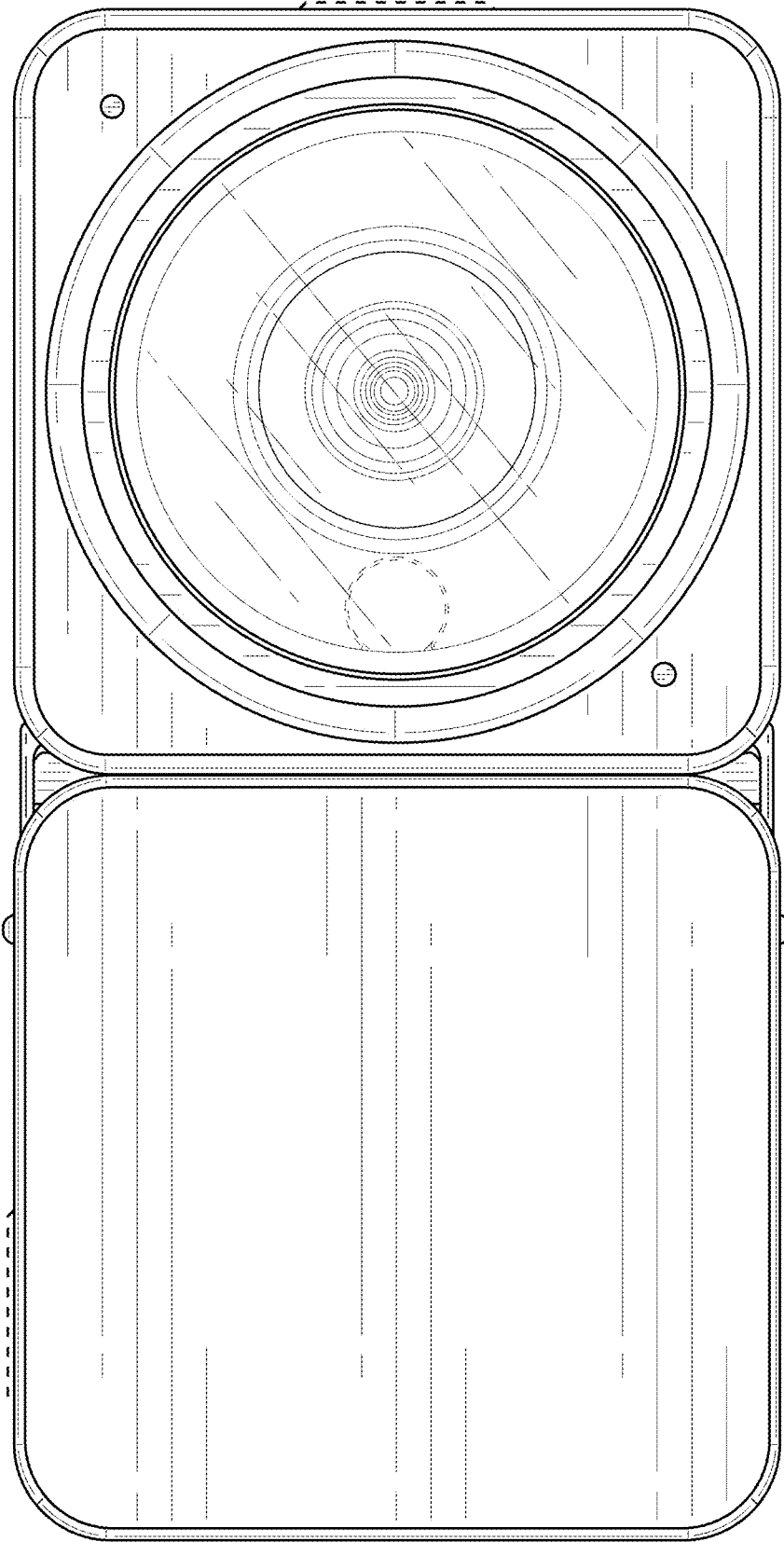




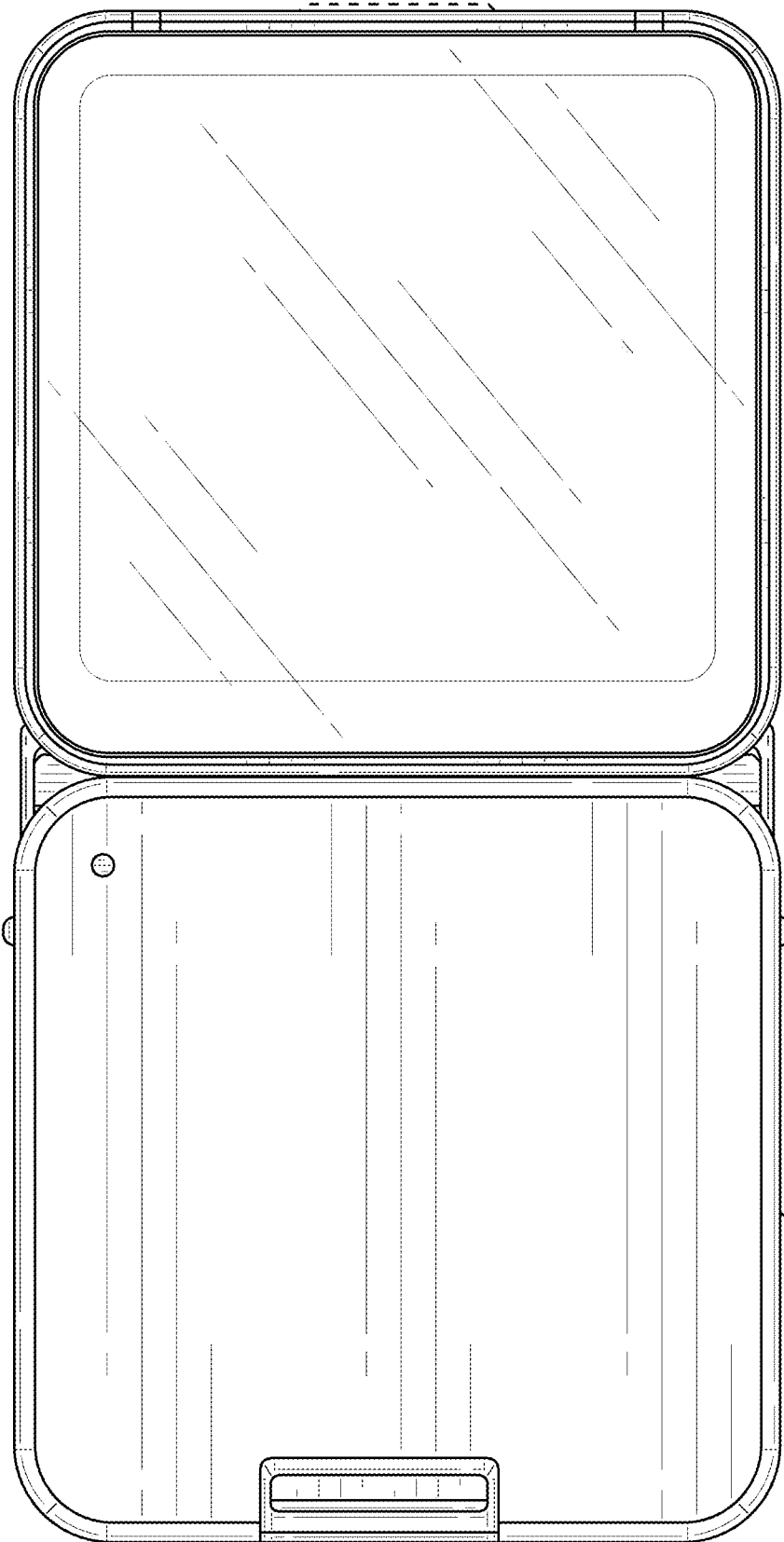
**FIG. 1**



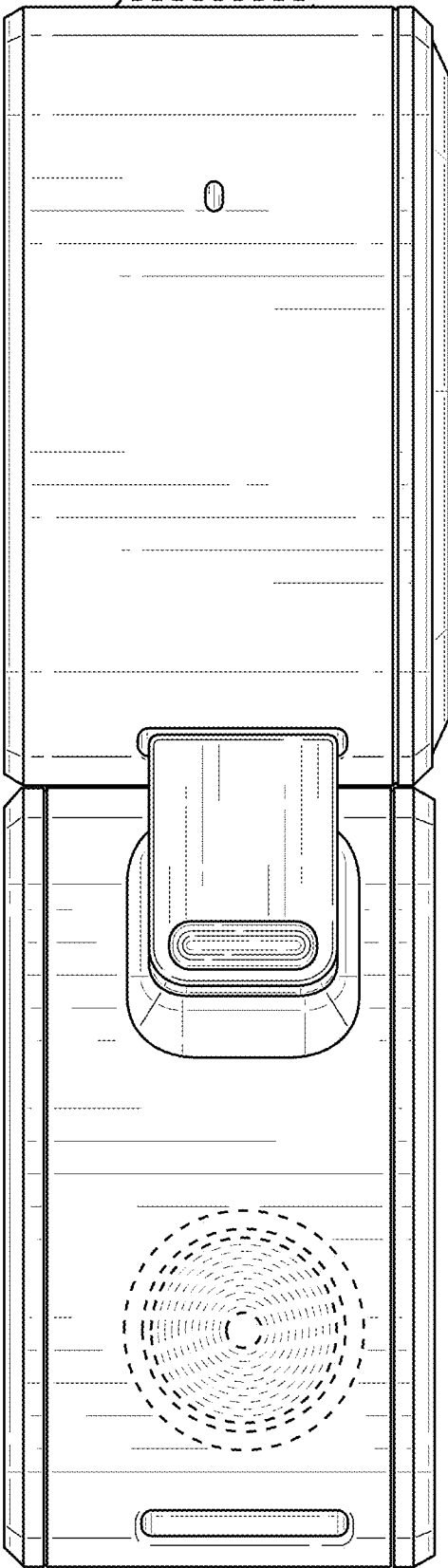
**FIG. 2**



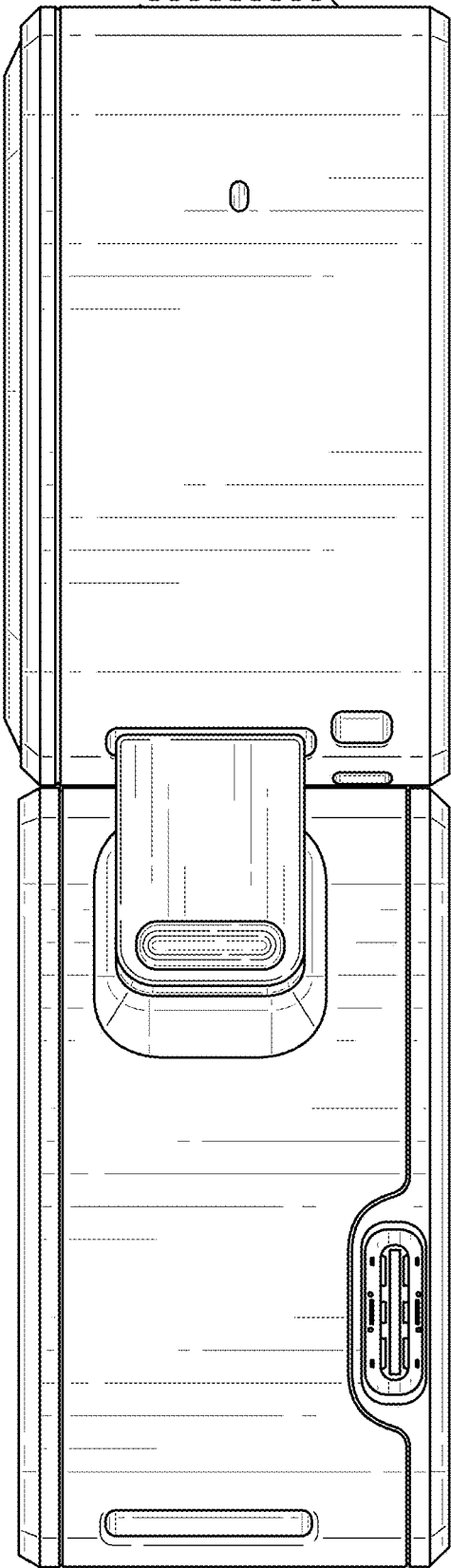
**FIG. 3**



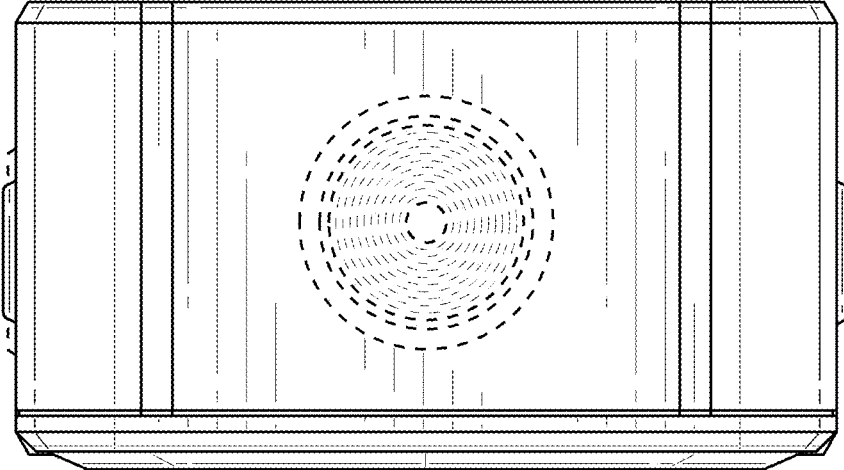
**FIG. 4**



**FIG. 5**

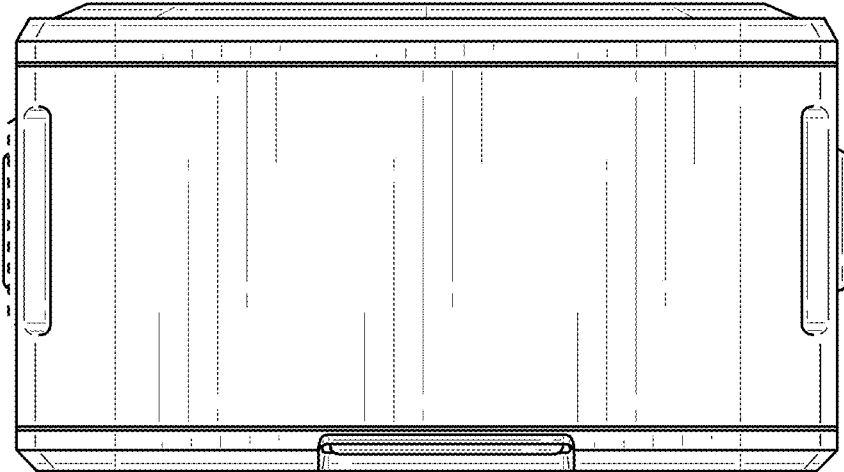


**FIG. 6**



***FIG. 7***





***FIG. 8***